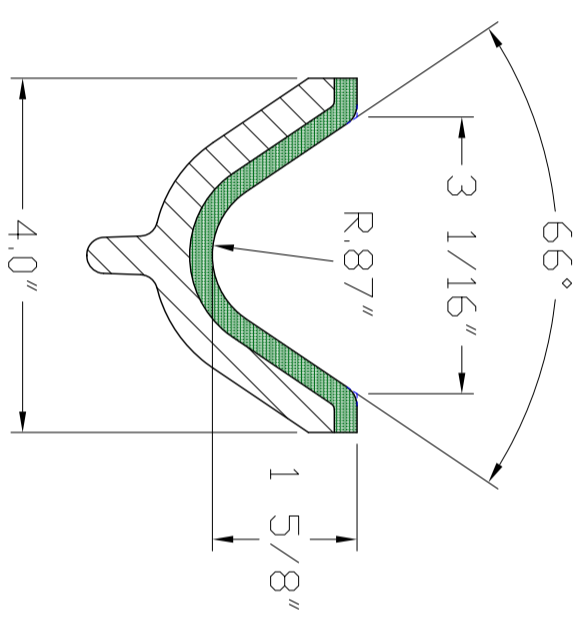
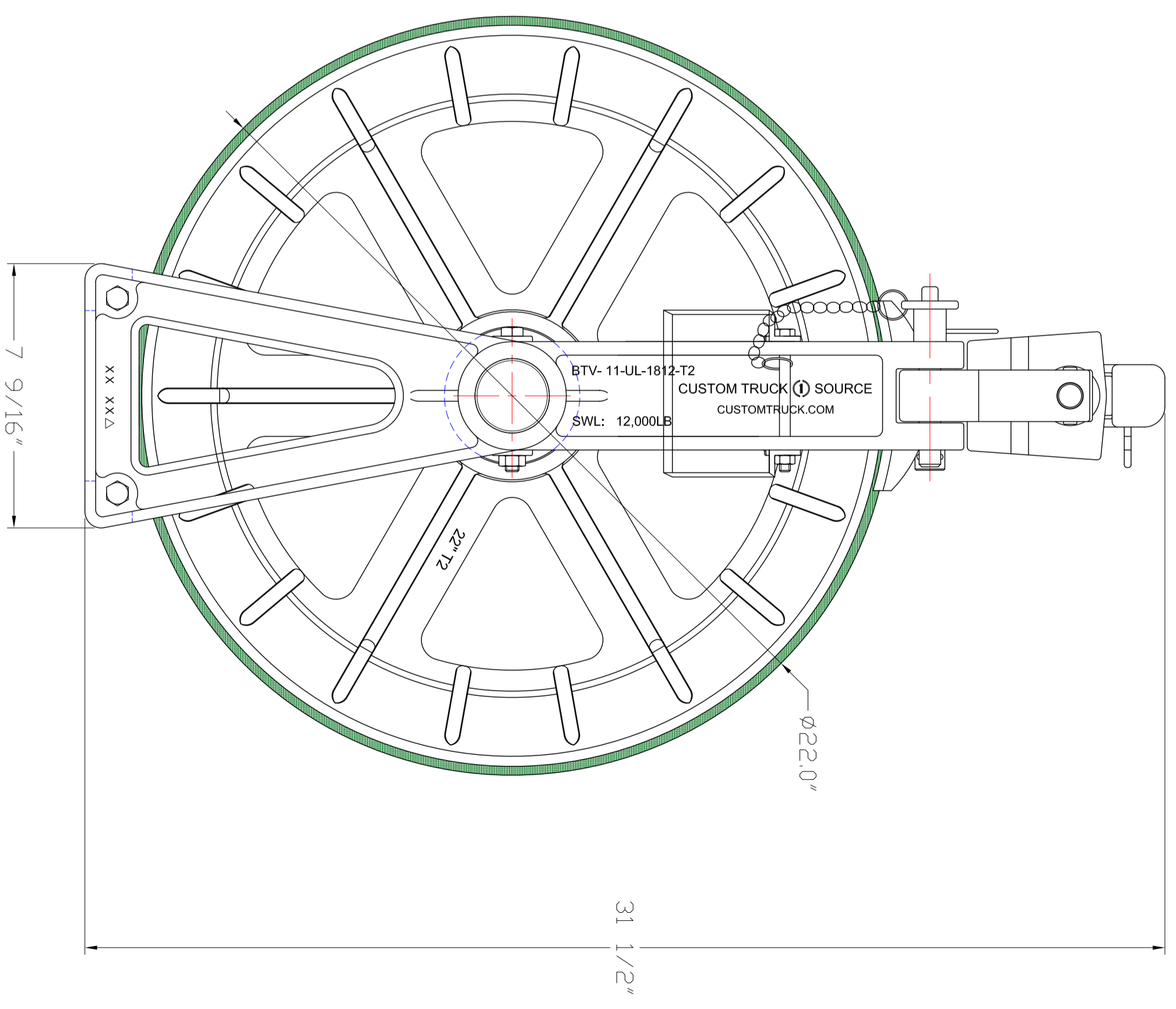
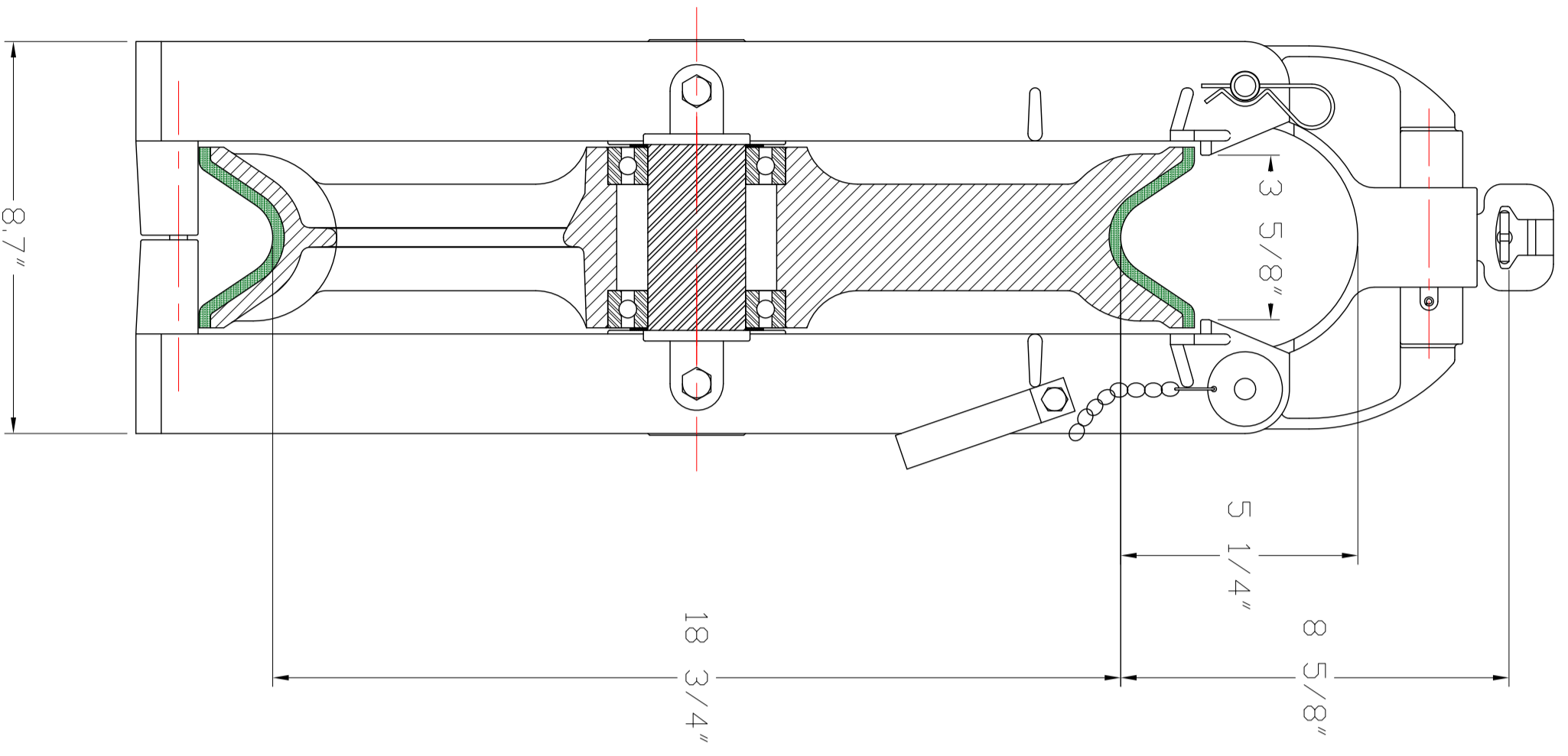


| | |
|---|---|
| T2 Penguin 4/0 AWG .563" x 2 | T2 Ostrich 300Kcmil .68" x 2 |
|---|---|



GROOVE CONFIG.



SAFE WORKING LOAD: 12000LB

| | | | |
|---|----------------|--------------------------------------|--|
| THE INFORMATION AND DATA CONTAINED HEREIN ARE THE EXCLUSIVE PROPERTY OF CUSTOM TRUCK ONE SOURCE AND NO REPRODUCTION IS PERMITTED. | | UNLESS OTHERWISE SPECIFIED. | |
| Dimensions given in Inches | | WEIGHT: 70LB | |
| CUSTOM TRUCK SOURCE | | 22" FULL FRAME BLOCK W/ T2 SHEAVE | |
| Wire sizes added | 5/15/23 | A.T. | |
| Color of PU Lining changed from Natural to Dark green | 3/18/23 | A.T. | |
| INITIAL RELEASE | 1/3/23 | A.T. | |
| A356 - T6 | SCALE: 1" = 1" | | |
| BTV11-UL-1812-T2 | REV. 2 | | |
| SHEET | | OF | |