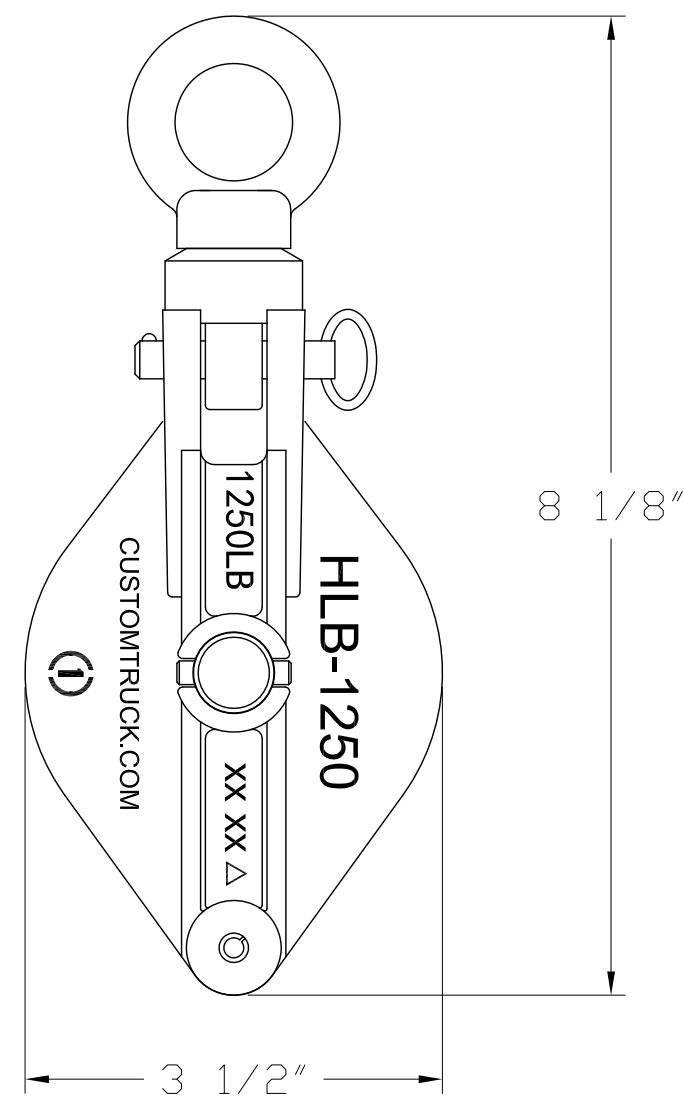
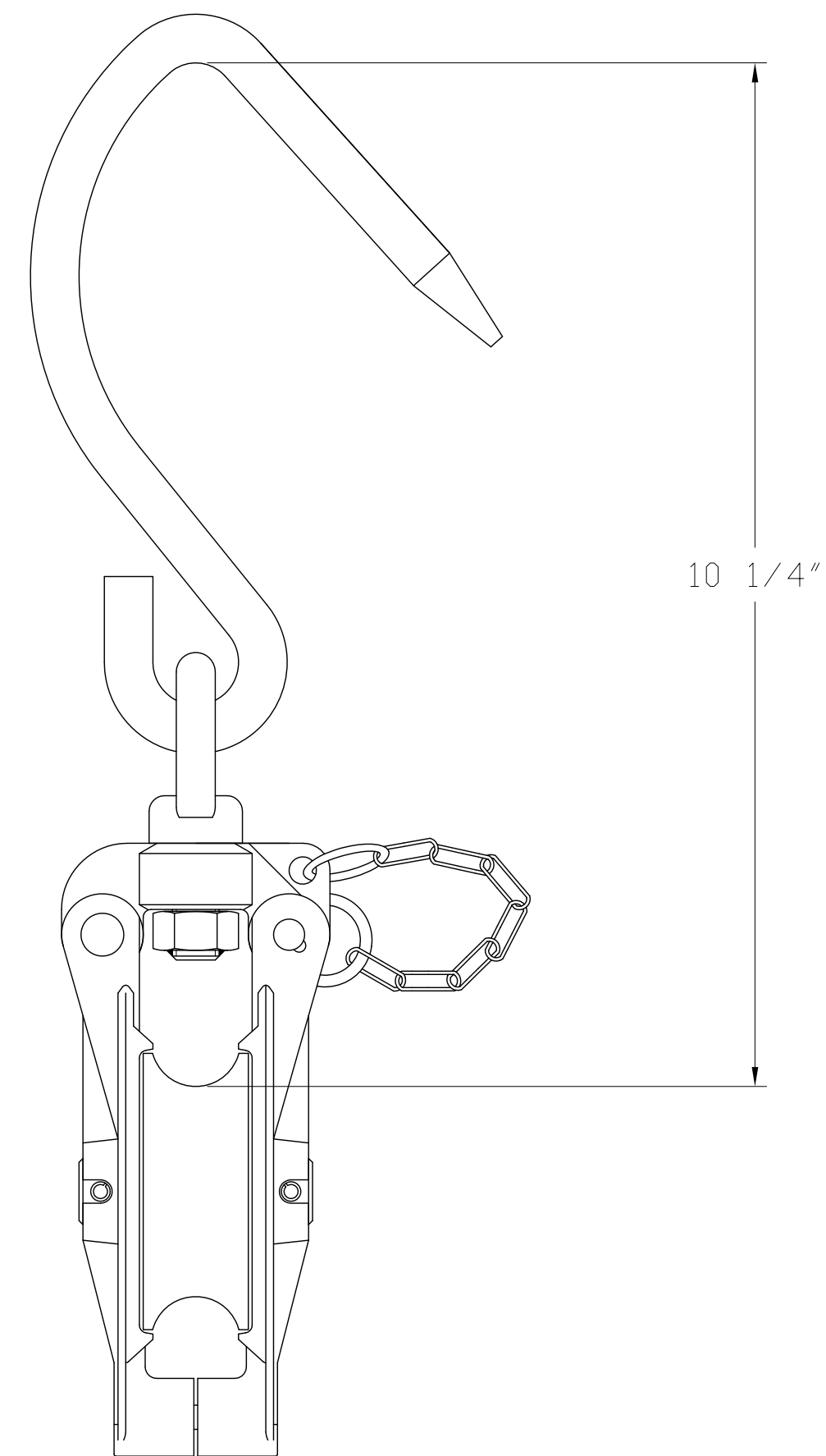


HLB-1250SH



HLB-1250NH



HLB-1250MH

THE INFORMATION AND DATA CONTAINED HEREIN ARE THE EXCLUSIVE PROPERTY OF CUSTOM TRUCK ONE SOURCE AND NO REPRODUCTION IS PERMITTED.			UNLESS OTHERWISE SPECIFIED:			Dimensions given in Inches		WEIGHT: 2.9Lbs		
						CUSTOM TRUCK (1) SOURCE				
						HANDLINE BLOCKS				
						A356 - T6		HLB-1250		REV.
Upgrade roll pins in shaft to stainless steel			11/5/2020			A.T.			2	
Change roll pin to Cap rivet pin in head			4/3/2017			A.T.			SCALE: SHEET OF	