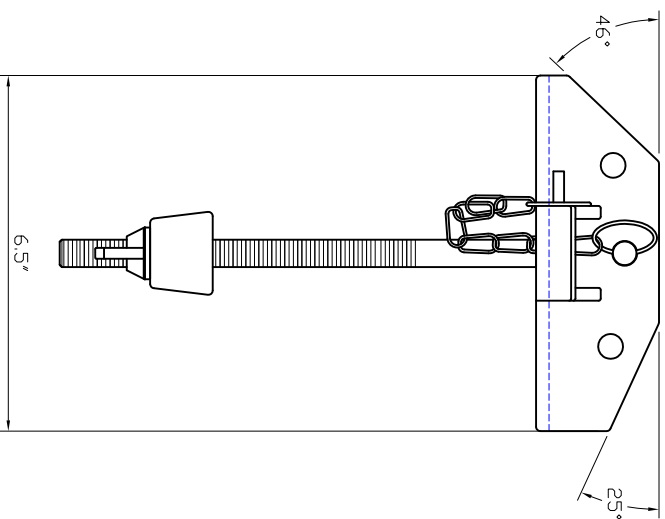
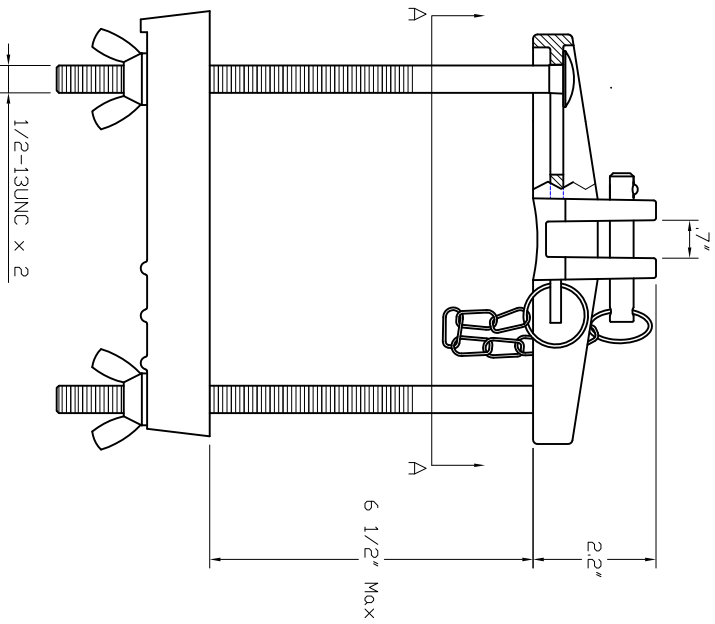


SECTION A-A



THE INFORMATION AND DATA CONTAINED HEREIN ARE THE EXCLUSIVE PROPERTY OF CUSTOM TRUCK ONE SOURCE AND NO REPRODUCTION IS PERMITTED.

UNLESS OTHERWISE SPECIFIED,

Dimensions given in inches
CUSTOM TRUCK (1) SOURCE
 WEIGHT: 3.1Lbs

**ADJUSTABLE
 CROSSARM ADAPTER**

A356 - T6		SCALE:	
CA-1		SHEET OF	
REV. 2			