

# ***ODP 30-4***



The information, specifications, and illustrations in this manual are on the basis of information available at the time it was written. The specifications, torque values, pressures of operation, measurements, adjustments, illustrations, and other items can change at any time. These changes can affect the service of the given product.

For the complete and most current information, contact:

Hogg & Davis, Inc  
P.O. Box 405 / 3800 Eagle Loop  
Odell, OR 97044-0405  
541-354-1001  
541-354-1080 Fax

**For most recent manual  
version please visit:  
[www.hoggdavis.com](http://www.hoggdavis.com)**

**ODP 30-4**  
**3,000 Lb Four Drum Puller**

## Table of Contents

Table of Contents .....	- 2 -
Product Warnings.....	- 3 -
General Specifications .....	- 4 -
Operating Instructions.....	- 5 -
Locking Pins .....	- 9 -
Setup on the Job .....	- 10 -
Setup of the unit.....	- 10 -
Position of unit.....	- 10 -
Jack Stands / Outriggers.....	- 10 -
Tie Down/ Brake/ Chock .....	- 10 -
Rope Payout Procedure (Free Wheel).....	- 11 -
Pulling Control.....	- 11 -
Pulling Control.....	- 12 -
Level wind .....	- 13 -
LUBRICATION AND MAINTENANCE .....	- 14 -
Drawbar inspection .....	- 15 -
15-15 Warranty .....	- 16 -
Parts and other manufacturer manuals .....	- 17 -



*"Rugged Dependability."*

© COPYRIGHT 2013 HOGG & DAVIS, INC



# ODP 30-4 3,000 Lb Four Drum Puller

## Product Warnings

**⚠ DANGER**

AN UNTRAINED OPERATOR SUBJECTS HIMSELF AND OTHERS TO

**DEATH OR SERIOUS INJURY**

YOU MUST NOT OPERATE THIS MACHINE UNLESS

- You have been trained in the safe operation of this machine.
- You have read, understand and follow the safety and operating recommendations contained in the machine manufacturer's manuals, your employer's work rules and applicable government regulations.
- You are sure the machine is operating properly and has been inspected and maintained in accordance with the manufacturer's manuals.
- You are sure that all safety signs, guards and other safety features are in place and in proper condition.

© H&D, Inc. 1999

**⚠ DANGER**



REACHING INTO REEL AREA OR CONTACTING TURNING REEL OR MOVING LINE DURING OPERATION MAY RESULT IN

**DEATH OR SERIOUS INJURY**

© H&D, Inc. 1999

**⚡ DANGER**

ELECTROCUTION HAZARD EXISTS WHEN PULLING LINE OR CONDUCTOR IS NEAR ENERGIZED LINES. MAKE SURE MACHINE IS PROPERLY GROUNDED AND OPERATOR IS PROPERLY PROTECTED.

© H&D, Inc. 1999

**⚠ DANGER**



JACKSTAND AND OUTRIGGER CONTACT WILL CAUSE SERIOUS CRUSHING INJURY.

**STAND CLEAR**

**⚠ WARNING**



Escaping fluid under pressure can penetrate skin causing serious injury.

Relieve pressure before disconnecting hydraulic lines. Keep away from leaks and pin holes. Use a piece of cardboard or paper to search for leaks. Do not use your hand.

Fluid injected into skin must be surgically removed within a few hours by a doctor familiar with this type injury or gangrene will result.

© H&D, Inc. 1999

***These warning labels and others like it are placed in critical areas of the machine. The warnings are to be read and fully understood prior to operation of the unit.***

# **ODP 30-4** **3,000 Lb Four Drum Puller**

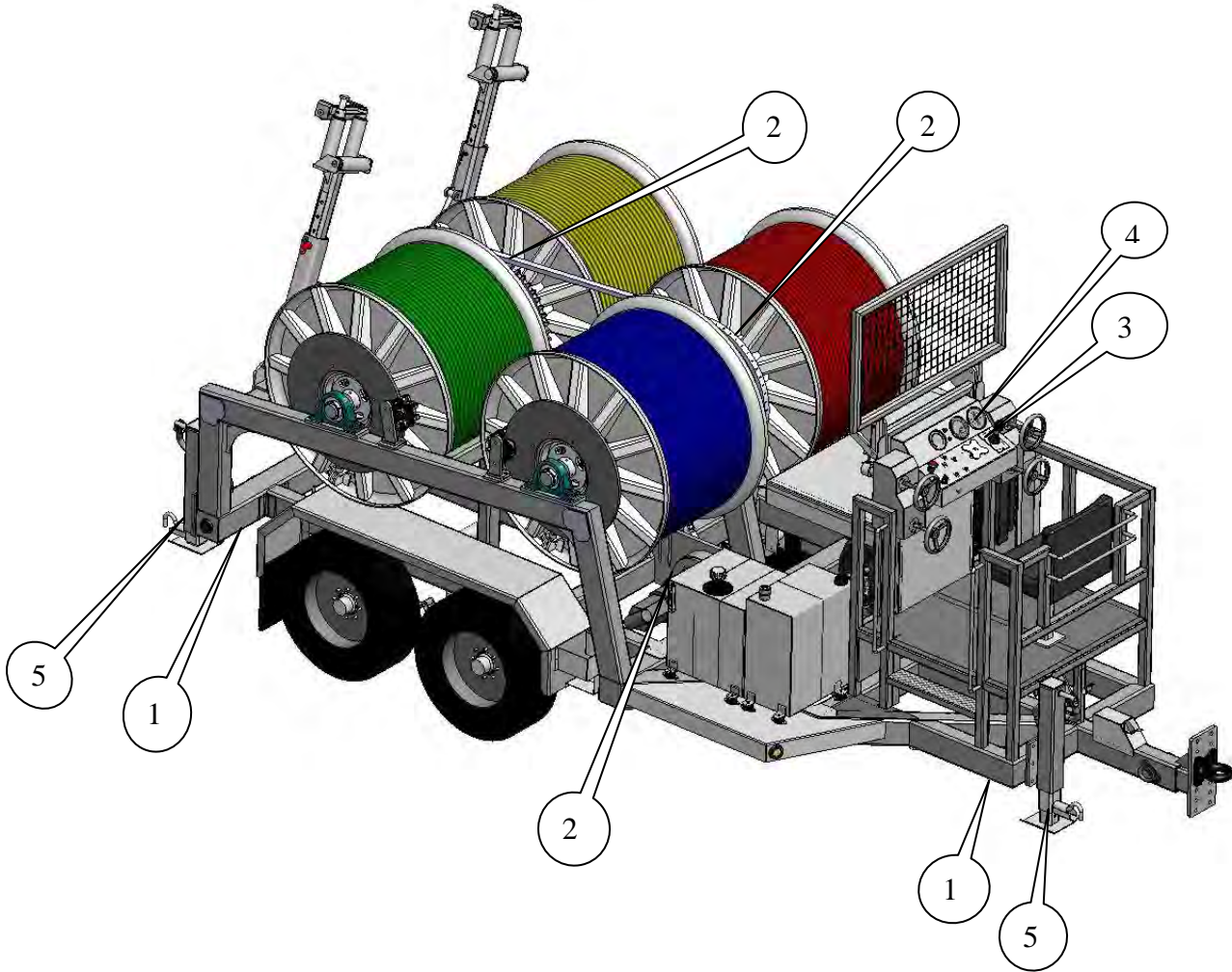
## General Specifications

This unit is designed to install overhead cable/conductor.

- Four Drum Puller
- 3,000 lbs Maximum Line Pull – Single Reel
- 48" Rope Reel Diameter
- Rope Capacity 10,000 ft of 5/8" per reel
- Manual Jack stands (2) Rear – (1) Tongue
- Hydraulic Jack stands (optional)
- Maximum Line Speed 0-4 mph
- Tandem Axle Electric Brakes



# **ODP 30-4 3,000 Lb Four Drum Puller**



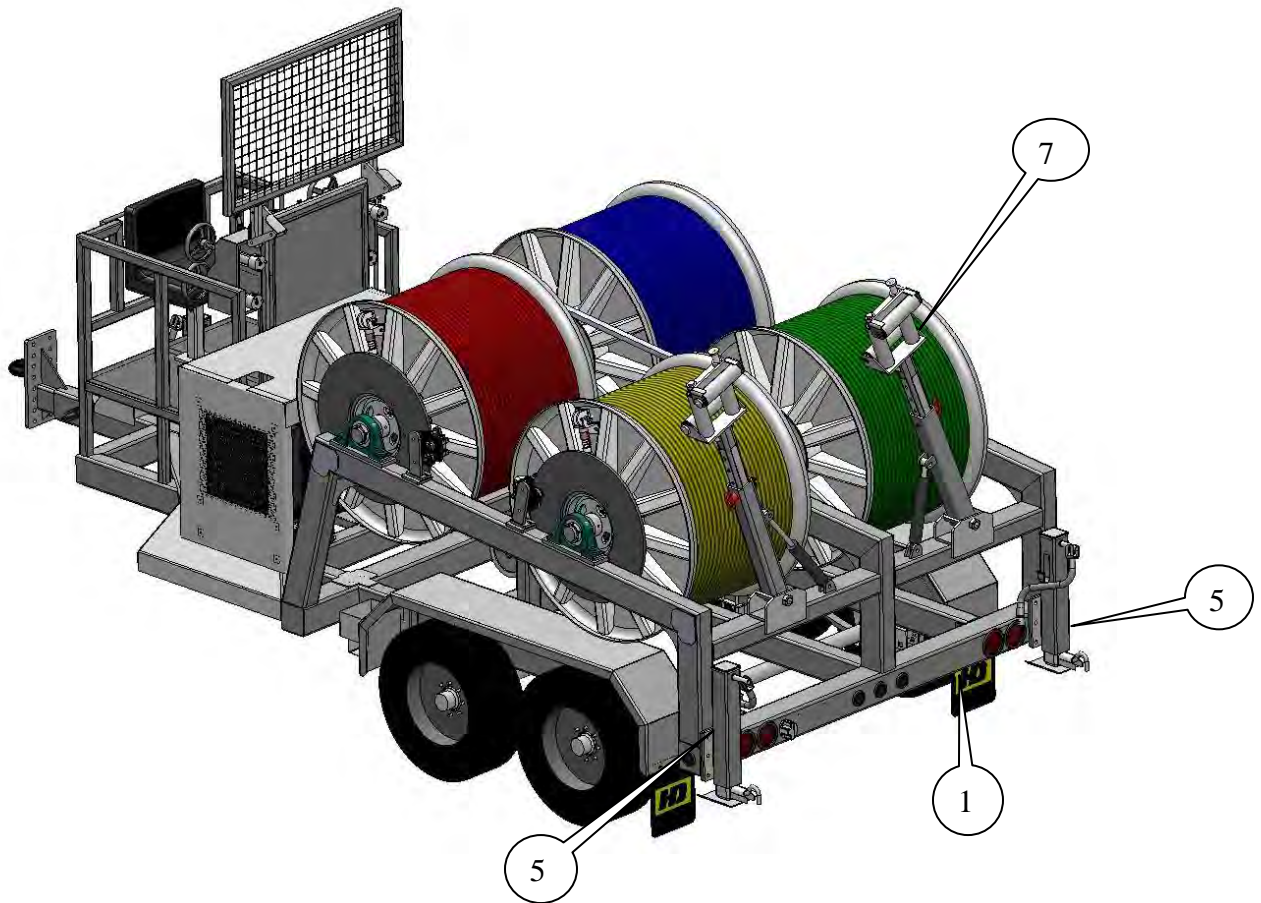
## **Operating Instructions**

All persons operating this machine must read and understand this manual as well as the operating, danger, and warning decals placed on the machine. Failure to read and understand these items subjects the operator and others to DEATH or SERIOUS INJURY.

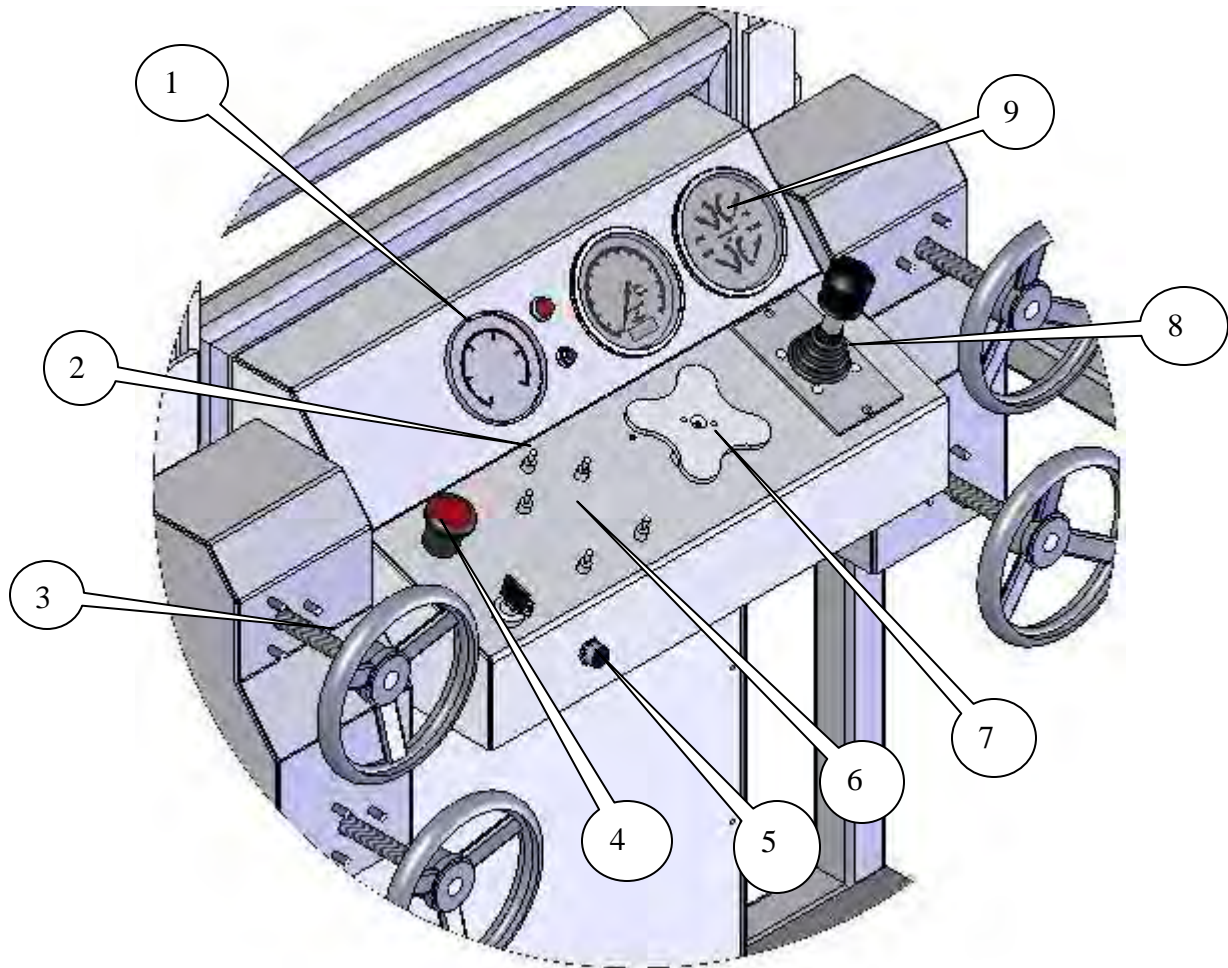
**ODP 30-4  
3,000 Lb Four Drum Puller**

*Operators shall make themselves familiar with the placement of the following operating and safety features of the machine.*

1. Grounding Lugs and their placement on Machine
2. Drive Chains and Sprockets
3. Take Up / Pay-Out / Control
4. Engine Controls and Gauges
5. Manual Jack stands (standard)
6. Hydraulic Jack stands (optional)
7. Level wind
8. Tie Down Locations Under frame



**ODP 30-4  
3,000 Lb Four Drum Puller**



1. System Pressure. This gauge displays the system pressure of the pulling unit. It is used in conjunction with the Line Pull/Tension control to set the pressure at which to pull. A performance chart is located on the control panel. **DO NOT EXCEED 2800 PSI.**
2. Holding Brake. This switch is for actuating the holding brake on the drive motors. It is spring applied / hydraulic release and will engage at loss of system pressure.
3. Over spin Brake. (4) This controls the over spin brakes and at what pressure you apply. Clockwise to apply and counter clockwise to release. **DO NOT OPERATE PULLER WITH BRAKE(S) APPLIED.** Damage to the brake caliper(s) and rotor may occur as well as providing false pressure readings.
4. Throttle.

## **ODP 30-4**

### **3,000 Lb Four Drum Puller**

5. Pay out Lockout. This push button switch interrupts the current from the joystick to prevent the operator from unintentionally paying out. In order to payout with the drive dogs engaged, the operator must hold this switch
6. Level wind control. This button is to be pressed when the level wind is controlled left to right without operating the pulling drum.
7. Line Pull / Tension Control. This controller allows the operator to set line pull and tension. By adjusting according to the performance graph, this allows operator to set or increase and decrease the amount of pull desired. Clockwise increases the line pull and counter clockwise decreases it.
8. Joystick. This joystick is a friction style control. It has a positive stop but releasing control will NOT return control to neutral. In order to stop pull, operator must return joystick to neutral.
9. Gauges. Engine temp, volts, oil pressure, and tachometer are provided for easy operator viewing. These gauges are redundant with the Engine Info Center provided with the Tier III engine, but allow for the operator to display more functions of the engine while have a set of gauges to view during operation.



*"Rugged Dependability."*

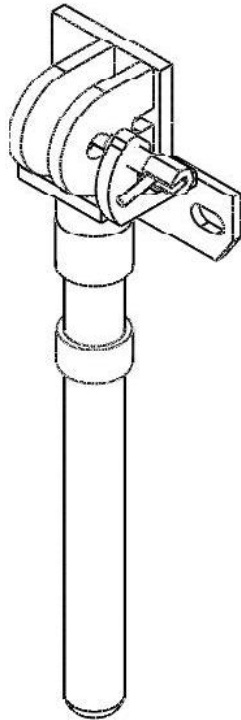
© COPYRIGHT 2013 HOGG & DAVIS, INC



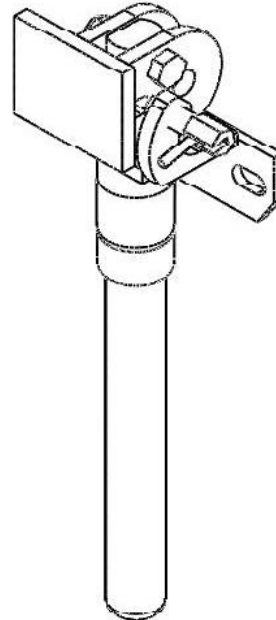


**ODP 30-4  
3,000 Lb Four Drum Puller**

**Engaged**



**Disengaged**



***Locking Pins***

The Locking pins on the reels are designed to “spring in” to the drive clutches on the unit. By setting the pin in the “engage” position, the reel shaft will rotate until the pin can become engaged. Engaging the reels needs to be done with unit at idle and as slow as possible. Engaging the drive pins at high speed may cause damage to the pin, reel, or unit, as well as damaging the pulling rope.

Moving the pin to the “release” position removes the pin from the drive clutch and allows the reel to spin freely.

The pins have a small spring loaded locking pin to keep the pins from engaging and disengaging during operation.

# **ODP 30-4 3,000 Lb Four Drum Puller**

## **Setup on the Job**

### *Setup of the unit*



### **Position of unit**

Position the trailer with the centerline of the trailers inline with the pull. Place the unit at a minimum of two times the height of the first block.

### **Jack Stands / Outriggers**

Actuate the rear outriggers to stabilize the trailer. Attempt to level the trailer as much as possible. The outriggers have the ability to raise the tires from the ground, but as a rule they should be used to stabilize the load across all contact points on the ground, i.e. Jack stands, tires, front tongue jack stand.

### **Tie Down/ Brake/ Chock**

Chock all wheels and set brakes (if applicable). It should be noted that a fully loaded trailer may exceed the tension desired during the pull. As the pull progresses, the weight of the trailer may increase or decrease, therefore proper securing procedures should be followed during operation. This unit is equipped with tie – down eyes for staking to the ground and it is recommended that the unit stay secured to the tow vehicle whenever possible.

**ODP 30-4**  
**3,000 Lb Four Drum Puller**

## Rope Payout Procedure (Free Wheel)

When beginning the rope payout feature, be sure that the engine is turned off.

Ensure that all tension is removed from the pulling rope before attempting to remove drive pin.

Adjust reel brake to provide tension to the reel of rope. Disengage the drive pin from reel to be free wheeled. Begin to pull rope through the blocks while continuing to adjust the over spin brake. When the rope install is completed, re-apply over spin brake to maximum pressure. Rotation of the rope reel shaft may be needed to properly install drive pin. With engine at idle slowly operate in take-up mode to engage the drive pin of reel to be pulled.

Refer to the performance chart for proper hydraulic pressure as it directly relates to conductor tension. ***This chart is located on the control panel of the unit.***

***\*\*\*These instructions assume that the operator has set the proper drive pin for the reel to be pulled in. All other reels are to be disengaged with the over spin brake fully applied.***

**ODP 30-4**  
**3,000 Lb Four Drum Puller**

## PULLING CONTROL

The following instructions explain how to properly set up the unit when it is to be used as a puller and have a pulling rope with NO TENSION. DO NOT FOLLOW THESE INSTRUCTIONS WHEN YOU HAVE A ROPE UNDER TENSION!!

1. Apply the brake.
2. Turn the Hydraulic Pressure knob CCW to release pressure
3. Increase to approximately full throttle.
4. Begin to actuate the joystick to take up.
5. Turn the Hydraulic Pressure Control knob and set to 800 psi.
6. Release the joystick into the neutral position.
7. Wait for confirmation from the tension side of the job for readiness
8. Release the brake
9. Increase throttle to full.
10. As the rope reel begins to take up, increase the hydraulic to the maximum line pull desired. As the rope diameter increases on the reel, it might be necessary to adjust the Hydraulic Control Knob to keep the pull moving.
11. Adjust joystick for line speed as also desired.
12. Operate level wind as needed
13. To stop the pull, place control into neutral while applying the brake.



*"Rugged Dependability."*

© COPYRIGHT 2013 HOGG & DAVIS, INC





**ODP 30-4**  
**3,000 Lb Four Drum Puller**

## PULLING CONTROL

The following instructions explain how to properly set up the unit when it is to be used as a puller and have a pulling rope UNDER TENSION. Use of these instructions assumes that all controls are at the same setting when the pulled previously stopped.

1. Begin to slightly actuate the joystick to take up
2. Release the brake
3. Actuate the joystick to take up as desired (if reel does not begin to move, slightly increase the Hydraulic Pressure Control until it does.

### *Level wind*

This unit is equipped with individual hydraulic level wind arms. Operation is by individual switch to corresponding reel.

**IF MACHINE IS TO BE USED FOR FIBRE OPTIC INSTALLATION, REFER TO THE CABLE MANUFACTURER FOR PROPER TENSIONING TECHNIQUES. FAILURE TO CONSULT MANUFACTURER MAY DAMAGE CABLE AND VOID WARRANTY.**

**ODP 30-4**  
**3,000 Lb Four Drum Puller**

## LUBRICATION AND MAINTENANCE

This unit has no set PM schedule beyond that of the engine manufacturers suggested maintenance schedule. This unit should be visually inspected prior to each use while repairing any and all discrepancies prior to use.

### Items to be inspected prior to use are:

- Drive Chains and sprockets for wear and slack
- Pintle eye (excessive wear)
- Safety Chains (wear / damage)
- All welds and seams
- Loose or missing fasteners (bolts, nuts, set screws)
- Loose or leaking hydraulic hoses
- Damaged or worn hydraulic hoses
- Brake calipers (loose fittings, hoses, worn linings)
- Brake Pads
- Brake rotors
- Tires and trailer brakes
- Engine and hydraulic system fluid levels.

### Lubrication Schedule

- Drive chain and sprockets ( daily )
- Reel Shaft Bearings (as needed)
- Reel Bearings (as needed)
- Engine oil as per manufacturers recommendation
- Idler sprocket ( daily )
- Axle Bearings (as needed)

## **ODP 30-4 3,000 Lb Four Drum Puller**

### *Drawbar inspection*

- Regularly inspect the drawbar for wear and damage. If wear exceeds 1/8", replace the drawbar eye.
- Check all drawbar mounting fasteners for proper torque
- Do not modify or add to the product
- Do not weld on this product without written permission from the factory
- Be sure the drawbar size is compatible with the coupling device on the tow vehicle
- Do not damage the coupling components. Be particularly careful during coupling and uncoupling
- Inspect the coupling device on the tow vehicle for proper locking prior to use
- Consult OSHA and DOT regulations and American Trucking Association guidelines for complete operating procedures.



*"Rugged Dependability."*

© COPYRIGHT 2013 HOGG & DAVIS, INC



# **ODP 30-4 3,000 Lb Four Drum Puller**

## **15-15 Warranty**

Hogg and Davis, Inc. warrants its trailers against defects in material or workmanship for period of 15 months from the date of shipment from Hogg and Davis, Inc. (see General Conditions & Exceptions). Hogg and Davis, Inc. will replace, free of charge, F.O.B. Hogg and Davis, Inc. factory, such parts or parts thereof, that in their judgment have proven defective. Additionally, Hogg and Davis, Inc. will pay reasonable and customary labor charges when defective part is replaced, installed or repaired by a fully authorized Hogg and Davis, Inc. trailer dealer at his facility.

Warranty credit will be issued only upon receipt and inspection of defective parts of at the Hogg and Davis, Inc. factory.

Hogg and Davis, Inc. warrants its trailer main frame assemblies (except pintle eyes or other towing attachments, spindles and axles) against defects in material or workmanship for a period of **15 years** from the date of shipment from Hogg and Davis, Inc. (see General Conditions & Exceptions). Hogg and Davis, Inc. shall replace or repair, in a manner as it shall determine, free of charge, F.O.B. factory, any parts or parts thereof, that in its judgment have proven defective. Additionally, Hogg and Davis, Inc. will pay reasonable and customary labor charges when defective part is replaced, installed or repaired by a fully authorized Hogg and Davis, Inc. trailer dealer at his facility.

### **General Conditions & Exceptions**

All warranties, options and representations made herein shall apply only provide such equipment shall not have been subject to misuse, negligence or accident and has been operated in accordance with factory approved procedures. This warranty does not obligate Hogg and Davis, Inc. or its authorized dealers to bear the cost of parts obtained from or labor performed by unauthorized sources. Nor does it obligate Hogg and Davis, Inc. **or its** authorized dealers to bear the cost of transportation of parts or equipment for repair or **replacement purposes**. This warranty is in lieu of any other warranty, expressed **or implied**, or any other obligation or liability on the part of Hogg and Davis, Inc and no persons or entity is authorized to make any representation beyond those stated herein.

Hogg and Davis, Inc. shall not be held liable for consequential damage of any kind. Hogg and Davis, Inc. also reserves the right to make changes and improvements in its products without incurring any obligation to install any such charges or improvements upon its products previously manufactured.

The above warranty shall not be misconstrued to mean warranty of tires, clutch, transmission assemblies or customer requested accessory equipment other than the warranty extended by their respective manufactures to Hogg and Davis, Inc. In addition, friction, drive rollers are warranted only to extent of bonding failure. All warranties, options and representations made herein are applicable to the original end-user of the product and are not sellable or transferable in any manner.

**ODP 30-4**  
**3,000 Lb Four Drum Puller**

## Parts and other manufacturer manuals

The Following drawings are for part identification only. Please reference the unit V.I.N. number and the corresponding part number when ordering.

The information, specifications, and illustrations in this manual are on the basis of information available at the time it was written. The specifications, torque values, pressures of operation, measurements, adjustments, illustrations, and other items can change at any time. These changes can affect the service of the given product.

For the complete and most current information, contact:

Hogg & Davis, Inc  
P.O. Box 405 / 3800 Eagle Loop  
Odell, OR 97044-0405  
541-354-1001  
541-354-1080 Fax  
[www.hoggdavis.com](http://www.hoggdavis.com)



## Section 2

# YANMAR WARRANTIES

---

	Page
YANMAR Limited Warranty .....	2-3
What is Covered by this Warranty? .....	2-3
How Long is the Warranty Period? .....	2-3
What the Engine Owner must Do: .....	2-3
To Locate an Authorized YANMAR Industrial Engine Dealer or Distributor: .....	2-4
What YANMAR will Do: .....	2-4
What is not Covered by this Warranty? .....	2-4
Warranty Limitations: .....	2-5
Warranty Modifications: .....	2-5
Questions: .....	2-5
Emission System Warranty .....	2-6
YANMAR Co., Ltd. Limited Emission Control System Warranty - USA Only .....	2-6
Your Warranty Rights and Obligations: .....	2-6
Manufacturer's Warranty Period: .....	2-6
Warranty Coverage: .....	2-7
Warranted Parts: .....	2-7
Exclusions: .....	2-8
Owner's Warranty Responsibilities: .....	2-8

## YANMAR LIMITED WARRANTY

### What is Covered by this Warranty?

YANMAR warrants to the original retail purchaser that a new YANMAR TNV series industrial engine will be free from defects in material and/or workmanship for the duration of the warranty period.

*Note: YANMAR engines may be equipped with external components including, but not limited to: wiring harnesses, electrical devices, control panels, radiators, air filters, fuel filters, and/or exhaust systems that are supplied and/or installed by manufacturers other than YANMAR. For warranty information on such external components, please contact the machine or component manufacturer directly or see your authorized YANMAR dealer or distributor.*

This warranty is provided in lieu of all other warranties, express or implied. YANMAR specifically disclaims any implied warranties of merchantability or fitness for a particular purpose, except where such disclaimer is prohibited by law. If such disclaimer is prohibited by law, then implied warranties shall be limited in duration to the life of the express warranty.

### How Long is the Warranty Period?

The YANMAR standard limited warranty period runs for a period of **twenty-four (24) months or two-thousand (2000) engine operation hours**, whichever occurs first. An extended limited warranty of thirty-six (36) months or three thousand (3000) engine operating hours, whichever occurs first, is provided for these specific parts only: the cylinder block, cylinder head, crankshaft forging, connecting rods, flywheel, flywheel housing, camshaft, timing gear, and gear case. The warranty period for both the standard limited warranty and the extended limited warranty (by duration or operation hours) begins on the date of delivery to the original retail purchaser and is valid only until the applicable warranted duration has passed or the operation hours are exceeded, whichever comes first.

### What the Engine Owner must Do:

If you believe your YANMAR engine has experienced a failure due to a defect in material and/or workmanship, you must contact an authorized YANMAR industrial engine dealer or distributor within thirty (30) days of discovering the failure. You must provide proof of ownership of the engine, proof of the date of the engine purchase and delivery, and documentation of the engine operation hours. Acceptable forms of proof of delivery date include, but are not limited to: the original warranty registration or sales receipts or other documents maintained in the ordinary course of business by YANMAR dealers and/or distributors, indicating the date of delivery of the YANMAR product to the original retail purchaser. This information is necessary to establish whether the YANMAR product is still within the warranty period. Thus, YANMAR strongly recommends you register your engine as soon as possible after purchase in order to facilitate any future warranty matters.

You are responsible for the transportation of the engine to and from the repair location as designated by YANMAR.

***YANMAR limited warranty - continued*****To Locate an Authorized YANMAR Industrial Engine Dealer or Distributor:**

You can locate your nearest authorized YANMAR industrial engine dealer or distributor by visiting the YANMAR Co., Ltd. website at:

<http://www.yanmar.co.jp> (The Japanese language page will be displayed.) For English language “click” on “English Page.”)

- “Click” on “Network” in the website heading to view the “Yanmar Worldwide Network.”
- Choose and “Click” on the desired product group.
- “Click” on the Icon closest to your region.
- “Click” on the desired country or associate company to locate your nearest authorized YANMAR industrial engine dealer or distributor.
- You may also contact YANMAR by clicking on “Inquiry” in the website heading and typing in your question or comment.

**What YANMAR will Do:**

YANMAR warrants to the original retail purchaser of a new YANMAR engine that YANMAR will make such repairs and/or replacements at YANMAR’s option, of any part(s) of the YANMAR product covered by this warranty found to be defective in material and/or workmanship. Such repairs and/or replacements will be made at a location designated by YANMAR at no cost to the purchaser for parts or labor.

**What is not Covered by this Warranty?**

This warranty does not cover parts affected by or damaged by any reason other than defective materials or workmanship including, but not limited to, accident, misuse, abuse, “Acts of God,” neglect, improper installation, improper maintenance, improper storage, the use of unsuitable attachments or parts, the use of contaminated fuels, the use of fuels, oils, lubricants, or fluids other than those recommended in your YANMAR Operation Manual, unauthorized alterations or modifications, ordinary wear and tear, and rust or corrosion. This warranty does not cover the cost of parts and/or labor required to perform normal/scheduled maintenance on your YANMAR engine. This warranty does not cover consumable parts such as, but not limited to, filters, belts, hoses, fuel injector nozzles, lubricants and cleaning fluids. This warranty does not cover the cost of shipping the product to or from the warranty repair facility.



*YANMAR limited warranty - continued***Warranty Limitations:**

The foregoing is YANMAR's only obligation to you and your exclusive remedy for breach of warranty. Failure to follow the requirements for submitting a claim under this warranty may result in a waiver of all claims for damages and other relief. **In no event shall YANMAR or any authorized industrial engine dealer or distributor be liable for incidental, special or consequential damages.** Such consequential damages may include, but not be limited to, loss of revenue, loan payments, cost of rental of substitute equipment, insurance coverage, storage, lodging, transportation, fuel, mileage, and telephone costs. The limitations in this warranty apply regardless of whether your claims are based on breach of contract, tort (including negligence and strict liability) or any other theory. Any action arising hereunder must be brought within one (1) year after the cause of action accrues or it shall be barred. Some states and countries do not allow certain limitations on warranties or for breach of warranties. **This warranty gives you specific legal rights, and you may also have other rights which vary from state to state and country to country.** Limitations set forth in this paragraph shall not apply to the extent that they are prohibited by law.

**Warranty Modifications:**

Except as modified in writing and signed by the parties, this warranty is and shall remain the complete and exclusive agreement between the parties with respect to warranties, superseding all prior agreements, written and oral, and all other communications between the parties relating to warranties. **No person or entity is authorized to give any other warranty or to assume any other obligation on behalf of YANMAR, either orally or in writing.**

**Questions:**

If you have any questions or concerns regarding this warranty, please call or write to the nearest authorized YANMAR industrial engine dealer or distributor or other authorized facility.

**EMISSION SYSTEM WARRANTY**

**YANMAR CO., LTD. LIMITED EMISSION CONTROL SYSTEM WARRANTY - USA ONLY**

**Your Warranty Rights and Obligations:**

■ **California**

The California Air Resources Board (CARB), the Environmental Protection Agency (EPA) and YANMAR Co., Ltd. hereafter referred to as YANMAR, are pleased to explain the **emission control system warranty** on your industrial compression-ignition engine. In California, model year 2000 or later off-road compression-ignition engines must be designed, built and equipped to meet the state’s stringent anti-smog standards. In all states, 1998 and later non-road compression-ignition engines must be designed, built and equipped to meet the United States EPA emissions standards. YANMAR warrants the emission control system on your engine for the periods of time listed below provided there has been no abuse, neglect or improper maintenance of your engine.

Your emission control system may include parts such as the fuel injection system, Electronic Control Unit, Exhaust Gas Recirculation (EGR) system, after treatment system (DPF) and the air induction system. Also included may be hoses, belts, connectors and other emission-related assemblies.

Where a warrantable condition exists, YANMAR will repair your non-road compression-ignition engine at no charge to you including diagnosis, parts and labor.

**Manufacturer’s Warranty Period:**

The model year 1998 or later certified and labeled non-road compression-ignition engines are warranted for the periods listed below. If any emission-related part on your engine is found to be defective during the applicable warranty period, the part will be replaced by YANMAR.

If your engine is certified as	And its maximum power is	And its rated speed is	Then its warranty period is
Variable speed or constant speed	kW < 19	Any speed	1,500 hours or two (2) years whichever comes first. In the absence of a device to measure the hours of use, the engine has a warranty period of two (2) years.
Constant speed	19 ≤ kW < 37	3,000 rpm or higher	1,500 hours or two (2) years whichever comes first. In the absence of a device to measure the hours of use, the engine has a warranty period of two (2) years.
Constant speed	19 ≤ kW < 37	Less than 3,000 rpm	3,000 hours or five (5) years whichever comes first. In the absence of a device to measure the hours of use, the engine has a warranty period of five (5) years.
Variable speed	19 ≤ kW < 37	Any speed	3,000 hours or five (5) years whichever comes first. In the absence of a device to measure the hours of use, the engine has a warranty period of five (5) years.
Variable speed or constant speed	kW ≥ 37	Any speed	3,000 hours or five (5) years whichever comes first. In the absence of a device to measure the hours of use, the engine has a warranty period of five (5) years.

**Limited emission control system warranty - USA only - continued****Warranty Coverage:**

This warranty is transferable to each subsequent purchaser for the duration of the warranty period. Repair or replacement of any warranted part will be performed at an authorized YANMAR industrial engine dealer or distributor.

Warranted parts not scheduled for replacement as required maintenance in the operation manual shall be warranted for the warranty period. Warranted parts scheduled for replacement as required maintenance in the operation manual are warranted for the period of time prior to the first scheduled replacement. Any part repaired or replaced under warranty shall be warranted for the remaining warranty period.

During the warranty period, YANMAR is liable for damages to other engine components caused by the failure of any warranted part during the warranty period.

Any replacement part which is functionally identical to the original equipment part in all respects may be used in the maintenance or repair of your engine, and shall not reduce YANMAR's warranty obligations. Add-on or modified parts that are not exempted may not be used. The use of any non-exempted add-on or modified parts shall be grounds for disallowing a warranty.

**Warranted Parts:**

This warranty covers engine components that are a part of the emission control system of the engine as delivered by YANMAR to the original retail purchaser. Such components may include the following:

- Fuel injection system
- Electronic control system
- Cold start enrichment system
- Intake manifold
- Turbocharger systems
- Exhaust manifold
- EGR system
- Positive crankcase ventilation system
- After treatment system (Diesel Particulate Filter)
- Hoses, belts, connectors and assemblies associated with emission control systems

Since emissions-related parts may vary slightly between models, certain models may not contain all of these parts and other models may contain the functional equivalents.

***Limited emission control system warranty - USA only - continued*****Exclusions:**

Failures other than those arising from defects in material and/or workmanship are not covered by this warranty. The warranty does not extend to the following: malfunctions caused by abuse, misuse, improper adjustment, modification, alteration, tampering, disconnection, improper or inadequate maintenance or use of non-recommended fuels and lubricating oils; accident-caused damage, and replacement of expendable items made in connection with scheduled maintenance. YANMAR disclaims any responsibility for incidental or consequential damages such as loss of time, inconvenience, loss of use of equipment/engine or commercial loss.

**Owner's Warranty Responsibilities:**

**As the engine owner, you are responsible for the performance of the required maintenance listed in your owner's manual.** YANMAR recommends that you retain all documentation, including receipts, covering maintenance on your non-road compression-ignition engine, but YANMAR cannot deny warranty solely for the lack of receipts, or for your failure to ensure the performance of all scheduled maintenance.

YANMAR may deny your warranty coverage of your non-road compression-ignition engine if a part has failed due to abuse, neglect, improper maintenance or unapproved modifications.

Your engine is designed to operate on diesel fuel only. Use of any other fuel may result in your engine no longer operating in compliance with applicable emissions requirements.

You are responsible for initiating the warranty process. You must present your engine to a YANMAR dealer as soon as a problem exists. The warranty repairs should be completed by the dealer as expeditiously as possible. If you have any questions regarding your warranty rights and responsibilities, or would like information on the nearest YANMAR dealer or authorized service center, you should contact YANMAR America Corporation.

Website: [www.yanmar.com](http://www.yanmar.com)

E-mail: [CS\\_support@yanmar.com](mailto:CS_support@yanmar.com)

Toll free telephone number: 1-800-872-2867, 1-855-416-7091

# JOHN DEERE NEW OFF-HIGHWAY ENGINE WARRANTY



## **Warranty Duration**

Unless otherwise provided in writing, John Deere\* makes the following warranty to the first retail purchaser and each subsequent purchaser (if purchase is made prior to expiration of applicable warranty) of each John Deere new off-highway engine marketed as part of a product manufactured by a company other than John Deere or its affiliates and on each John Deere engine used in an off-highway repower application:

- 12 months, unlimited hours of use, or
- 24 months and prior to the accumulation of 2000 hours of use

Note: In the absence of a functional hour meter, hours of use will be determined on the basis of 12 hours of use per calendar day.

## **Warranty Coverage**

This warranty applies to the engine and to integral components and accessories sold by John Deere, and delivered to the first retail purchaser on or after 1 May 2010.

All John Deere-warranted parts and components of John Deere engines which, as delivered to the purchaser, are defective in materials and/or workmanship will be repaired or replaced, as John Deere elects, without charge for parts or engine repair labor, including reasonable costs of labor to remove and reinstall non-engine parts or components of the equipment in which the engine is installed, and, when required, reasonable costs of labor for engine removal and reinstallation, if such defect appears within the warranty period as measured from the date of delivery to the first retail purchaser.

## **Emissions Warranty**

Emissions warranties appear in the Operator's Manual, that is furnished with the engine/machine.

## **Obtaining Warranty Service**

Warranty service is to be performed by a local John Deere engine service outlet before the expiration of the warranty. An authorized service outlet is a John Deere engine distributor, a John Deere engine service dealer, or a John Deere equipment dealer selling and servicing equipment with an engine of the type covered by this warranty. Authorized service outlets will use only new or remanufactured parts or components furnished or approved by John Deere.

Authorized service locations can be found by using the dealer locator on [www.johndeere.com](http://www.johndeere.com), or by calling 1-800-JDENGINE (800-533-6446).

At the time of requesting warranty service, the purchaser must be prepared to present evidence of the engine's delivery date.

John Deere reimburses authorized service outlets for limited travel expenses incurred in making warranty service repairs in non-John Deere applications when travel is actually performed. Contact your local authorized service dealer for current travel reimbursement limits. If distances and travel times are greater than reimbursed by John Deere, the service outlet will charge the purchaser for the difference.

## **Purchaser's Responsibilities**

The cost of normal maintenance and depreciation.

Periodic cleaning of the Diesel Exhaust Filter.

Consequences of negligence, misuse, or accident involving the engine, or improper application, installation, or storage of the engine.

Consequences of service performed by someone other than a party authorized to perform warranty service, if such service, in John Deere's judgment, has adversely affected the performance or reliability of the engine.

Consequences of any modification or alteration of the engine not approved by John Deere, including, but not limited to, tampering with fuel and air delivery systems.

Consequences of fuels, lubricants or coolant that fails to meet the specifications and requirements listed in the Operator's Manual.

\* "John Deere" means John Deere Power Systems with respect to users in the United States, John Deere Limited with respect to users in Canada, and Deere & Company or its subsidiary responsible for marketing John Deere equipment in other countries where the user is located.

The effects of cooling system neglect as manifested in cylinder liner or block cavitation (“pitting”, “erosion”, “electrolysis”).

Any premium for overtime labor requested by the purchaser.

Costs of transporting the engine or the equipment in which it is installed to and from the location at which the warranty service is performed, if such costs are in excess of the maximum amount payable to the service location were the warranty service performed at the engine's location.

Costs incurred in gaining access to the engine; i.e., overcoming physical barriers such as walls, fences, floors, decks or similar structures impeding access to the engine, rental of cranes or similar, or construction of ramps or lifts or protective structures for engine removal and reinstallation.

Incidental travel costs including meals, lodging, and similar.

Service outlet costs incurred in solving or attempting to solve non-warrantable problems.

Services performed by a party other than an authorized John Deere engine service dealer, unless required by law.

Charges by dealers for initial engine start-up and inspection, deemed unnecessary by John Deere when operation and maintenance instructions supplied with the engine are followed.

Costs of interpretation or translation services.

Periodic cleaning of the Diesel Exhaust Filter.

John Deere will not be responsible for the cost of Exhaust Filter or Diesel Particulate Filter (DPF) cleaning unless:

- The need for cleaning resulted from the failure of a part that is covered by the engine's Standard Product Warranty or Extended Warranty, or
- The engine is located in California and the need for cleaning was caused by a failure covered under applicable CARB emissions regulations.

### **No Representations or Implied Warranty**

Where permitted by law, neither John Deere nor any company affiliated with it makes any guaranties, warranties, conditions, representations or promises, express or implied, oral or written, as to the nonoccurrence of any defect or the quality or performance of its engines other than those set forth herein, and DOES NOT MAKE ANY IMPLIED WARRANTY OR CONDITIONS OF MERCHANTABILITY OR FITNESS otherwise provided for in the Uniform Commercial Code or required by any Sale of Goods Act or any other statute. This exclusion includes fundamental terms. In no event will a John Deere engine distributor or engine service dealer, John Deere equipment dealer, John Deere or any company affiliated with John Deere be liable for incidental or consequential damages or injuries including, but not limited to, loss of profits, loss of crops, rental of substitute equipment or other commercial loss, damage to the equipment in which the engine is installed or for damage suffered by purchaser as a result of fundamental breaches of contract or breach of fundamental terms, unless such damages or injuries are caused by the gross negligence or intentional acts of the foregoing parties.

### **Remedy Limitation**

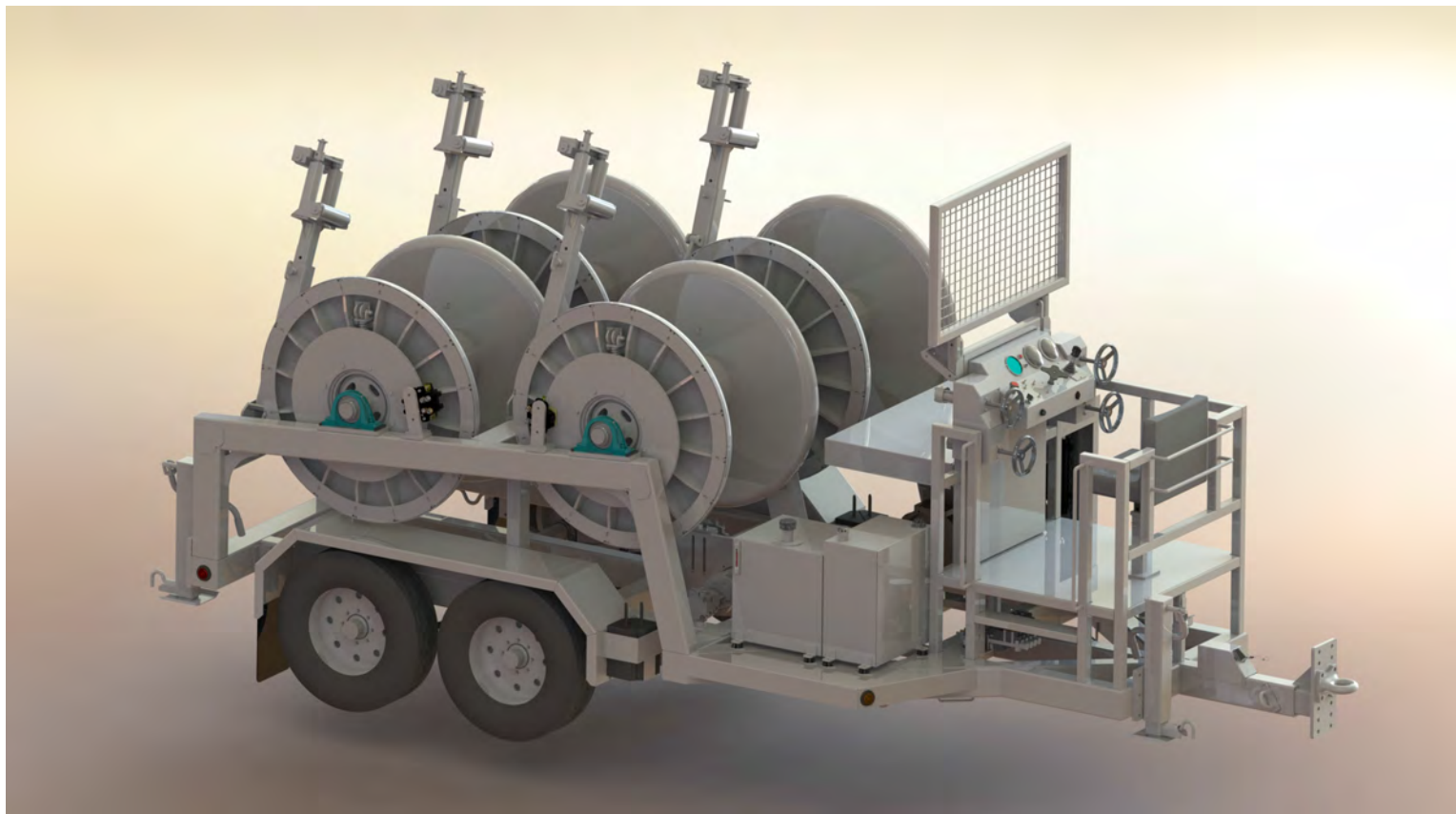
The remedies set forth in this warranty are the purchaser's exclusive remedies in connection with the performance of, or any breach of guaranty, condition, or warranty in respect of new John Deere engines. In the event the above warranty fails to correct purchaser's performance problems caused by defects in workmanship and/or materials, purchaser's exclusive remedy shall be limited to payment by John Deere of actual damages in an amount not to exceed the cost of the engine.

### **No Seller's Warranty**

No person or entity, other than John Deere, who sells the engine or product in which the engine has been installed makes any guaranty or warranty of its own on any engine warranted by John Deere unless it delivers to the purchaser a separate written guaranty certificate specifically guaranteeing the engine, in which case John Deere shall have no obligation to the purchaser. Neither original equipment manufacturers, engine or equipment distributors, engine or equipment dealers, nor any other person or entity, has any authority to make any representation or promise on behalf of John Deere or to modify the terms or limitations of this warranty in any way.

### **Additional Information**

For additional information concerning the John Deere New Off-Highway Engine Warranty, see the Operator's Manual

**Parts Manual**

The information, specifications, and illustrations in this manual are on the basis of information available at the time it was written. The specifications, torque values, pressures of operation, measurements, adjustments, illustrations, and other items can change at any time. These changes can affect the service of the given product.

For the complete and most current information, contact:

Hogg & Davis, Inc  
P.O. Box 405 / 3800 Eagle Loop  
Odell, OR 97044-0405  
541-354-1001  
541-354-1080 Fax

**For most recent manual  
version please visit:**

[www.hoggdavis.com](http://www.hoggdavis.com)



*"Rugged Dependability."*

COPYRIGHT 2013 HOGG & DAVIS, INC

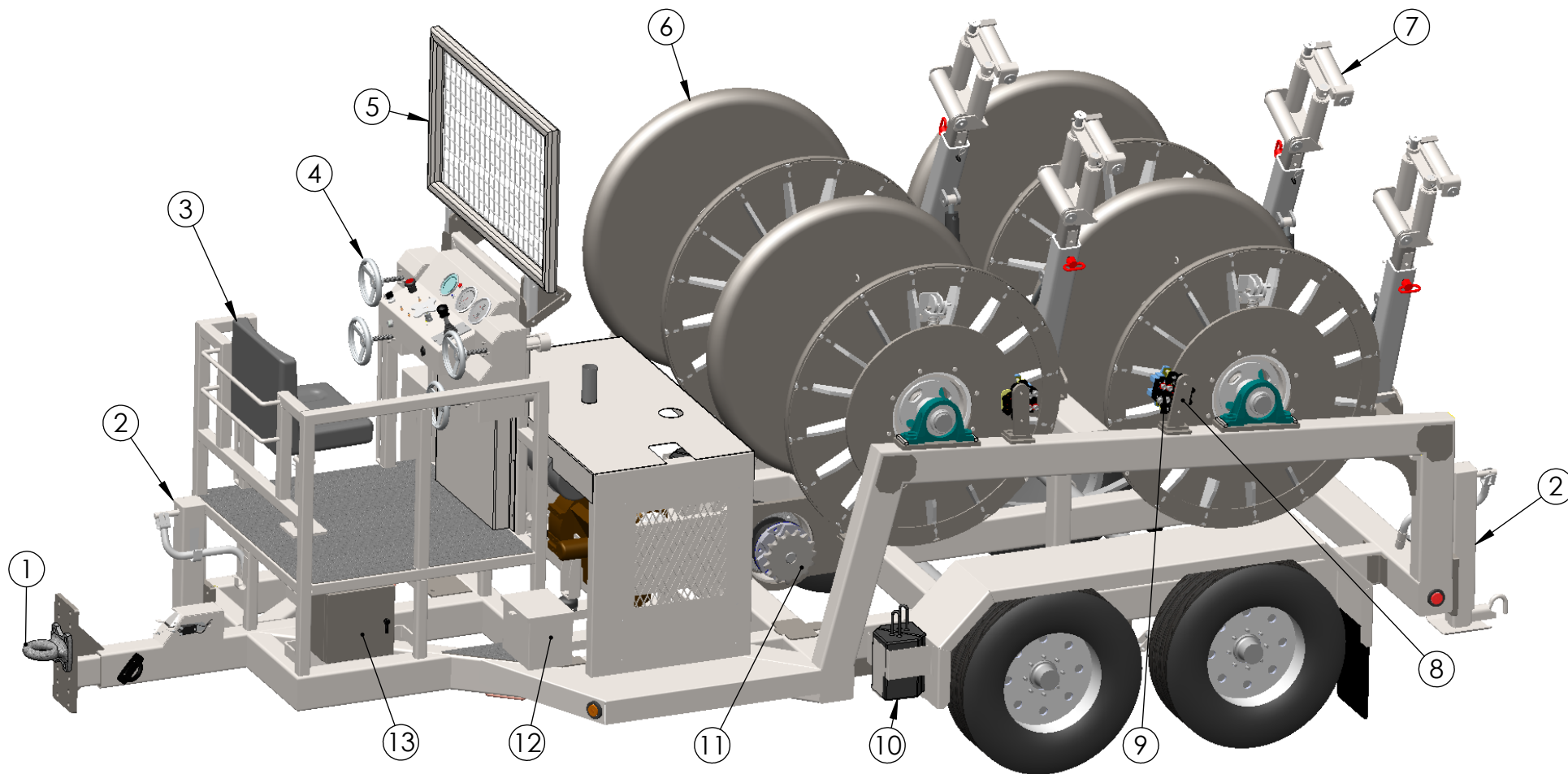


**ver. 1.0**

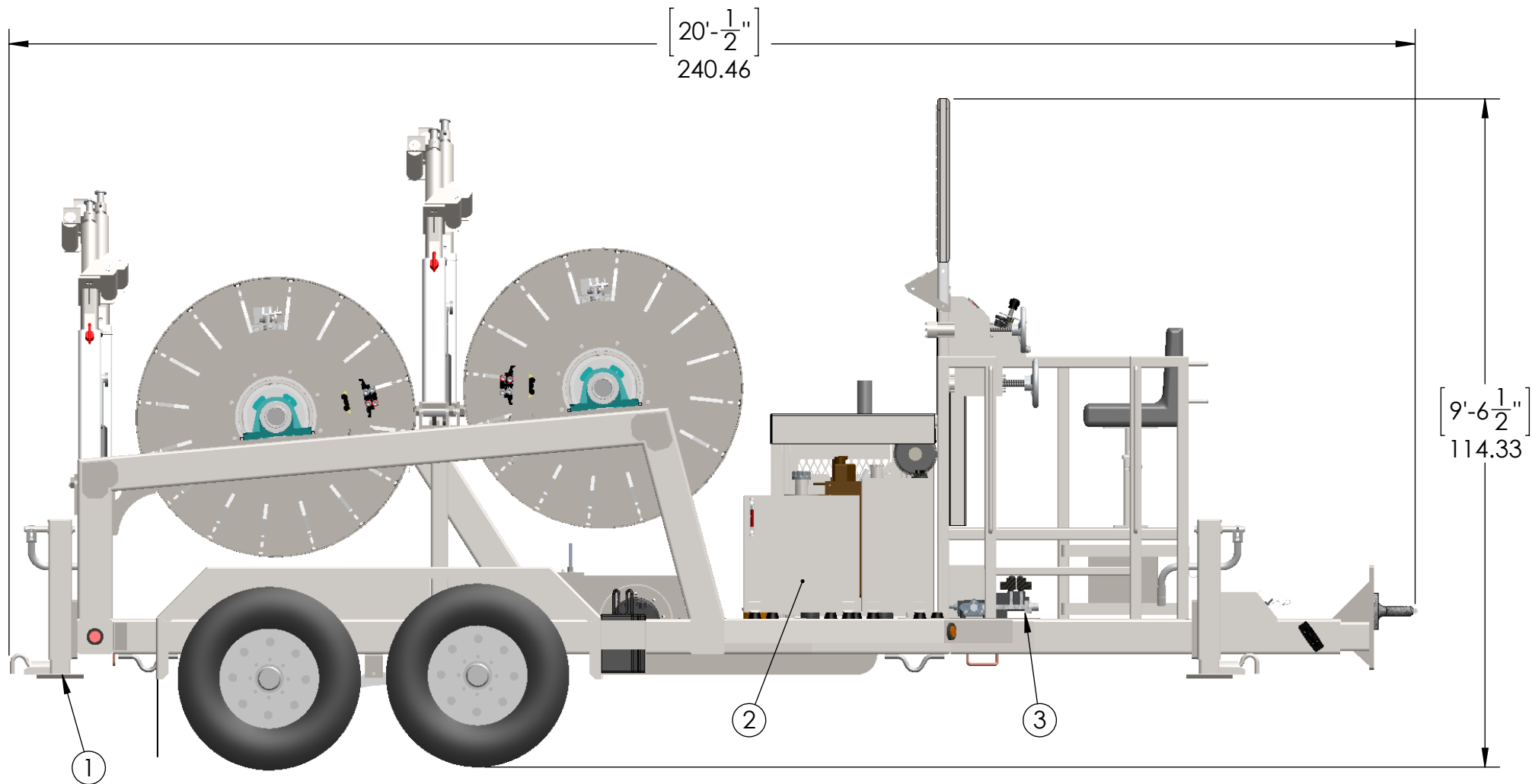
<b><i>Isometric View</i></b>	<b>1</b>
<b><i>Curbside View</i></b>	<b>2</b>
<b><i>Rear View</i></b>	<b>3</b>
<b><i>Full Reel Assembly</i></b>	<b>4</b>
<b><i>Reel Assembly</i></b>	<b>5</b>
<b><i>Reel Lock Pin</i></b>	<b>6</b>
<b><i>Levelwind Assembly</i></b>	<b>7</b>
<b><i>Levelwind Manifold</i></b>	<b>8</b>
<b><i>Overspin Brakes</i></b>	<b>9</b>
<b><i>HD Brake Cylinder</i></b>	<b>10</b>
<b><i>Planetary Drive</i></b>	<b>11</b>
<b><i>Engine/Hyd Pumps</i></b>	<b>12</b>
<b><i>Control Panel</i></b>	<b>13</b>
<b><i>Hyd/Fuel Tanks</i></b>	<b>14</b>
<b><i>Operator Seat</i></b>	<b>15</b>
<b><i>Jackstands</i></b>	<b>16</b>
<b><i>Electrical Hood</i></b>	<b>17</b>
<b><i>Standard Trailer Lights</i></b>	<b>18</b>
<b><i>LED Trailer Lights</i></b>	<b>19</b>
<b><i>Electrical Schematics</i></b>	<b>20</b>
<b><i>Hydraulic Schematics</i></b>	<b>22</b>
<b><i>Wheel Torque Requirements</i></b>	<b>23</b>
<b><i>Trailer Specifications</i></b>	<b>25</b>
<b><i>Brake Bleeding Inst.</i></b>	<b>27</b>
<b><i>Decal/Decal Locations</i></b>	<b>28</b>



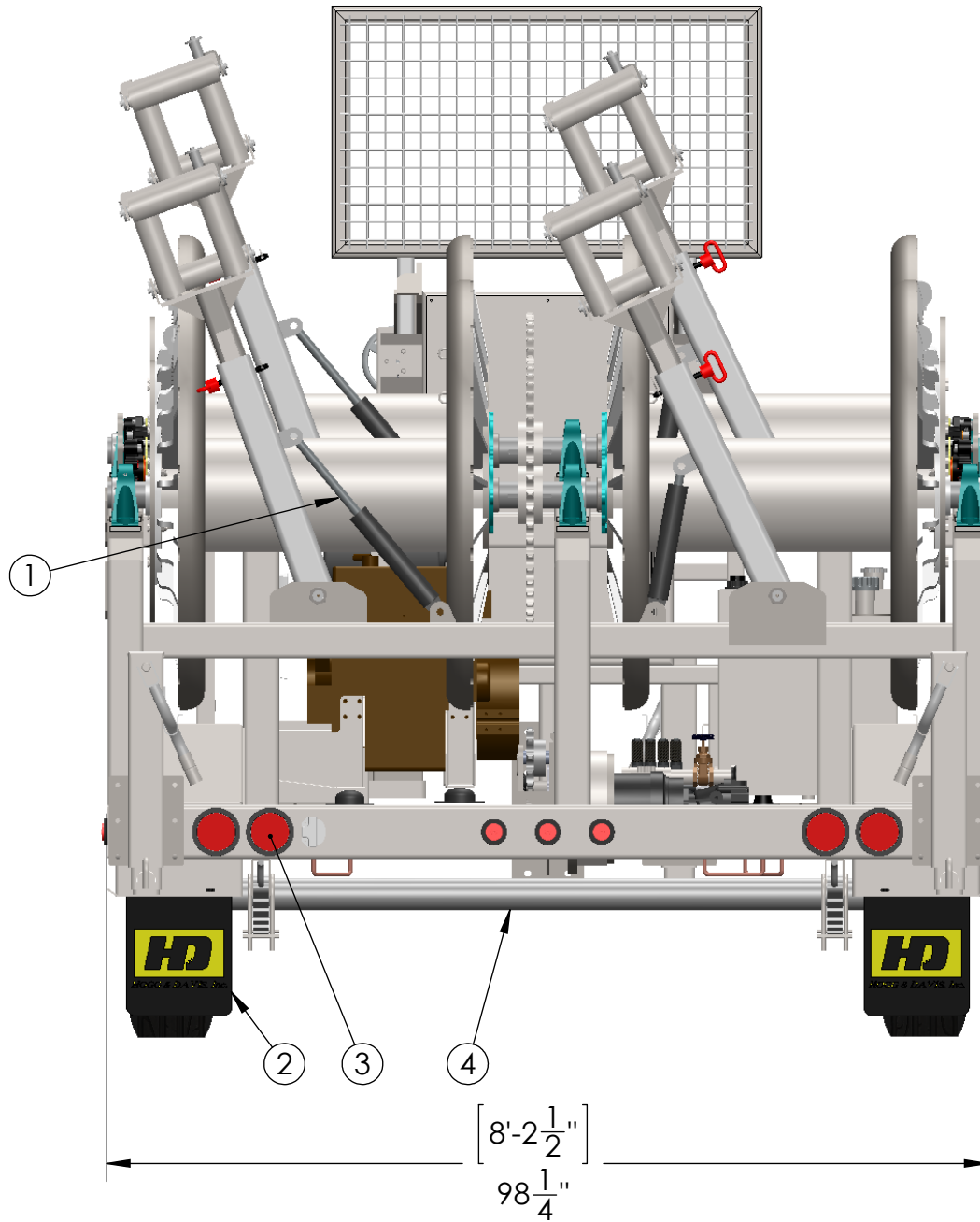




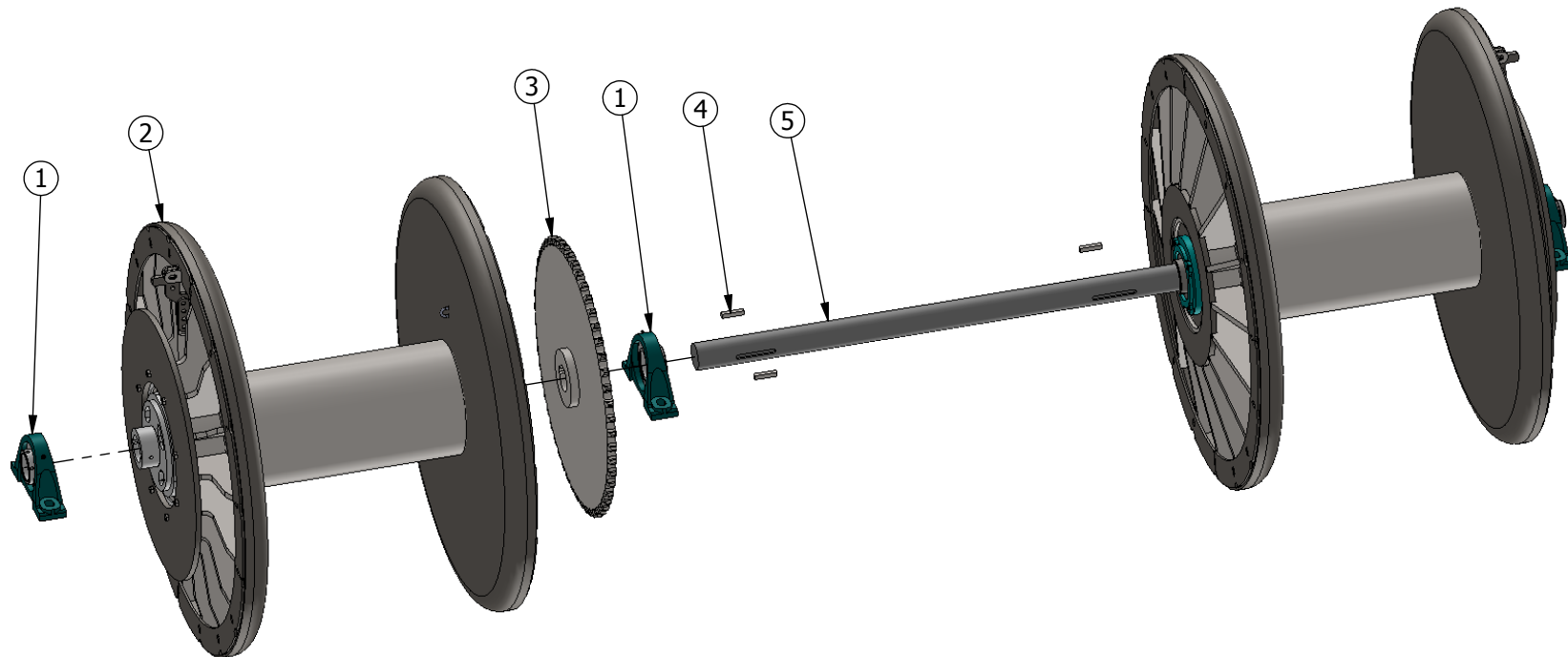
ITEM NO.	PART NUMBER	DESCRIPTION	QTY.
1	E04017	Eye, Pintle	1
2	J04041	Street-Side Jack Assy.	2
3	Seat Assembly	See Seat Assy Sheet	1
4	Controls	See Controls Sheet	1
5	S08059	Screen Assembly	1
6	Reel Assy	See Reel Assy Sheet	2
7	Levelwind	See Levelwind Sheet	4
8	B15916	Caliper Stand	4
9	C04912	Caliper, Brake	4
10	C12005	Wheel Chock	4
11	Planetary Drive	See Drive Assy Sheet	1
12	B13910	Battery Box, Optima	1
13	B13106	Box, Electrical	1



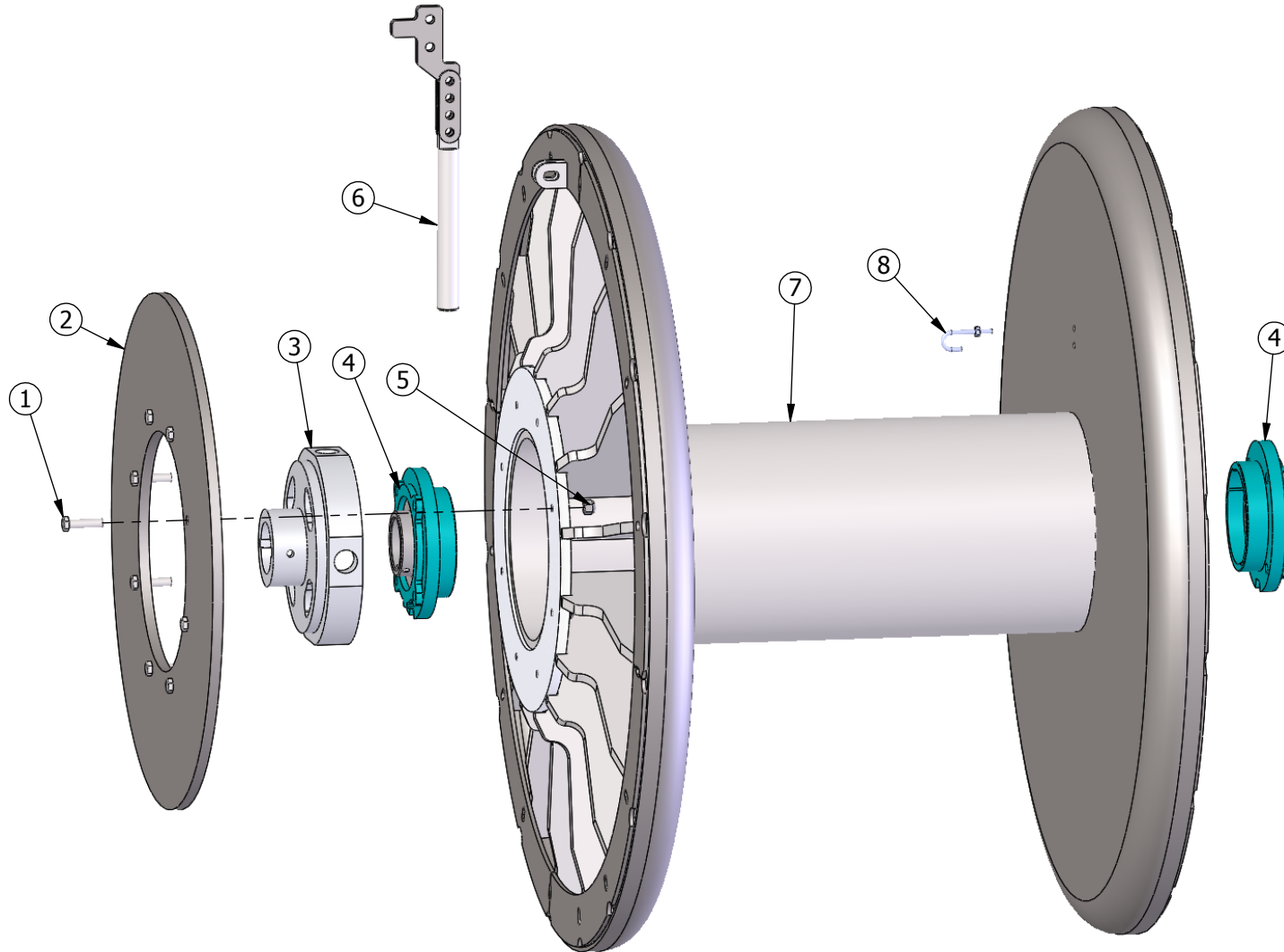
ITEM NO.	PART NUMBER	DESCRIPTION	QTY.
1	J04044	Curb-Side Jack Assy.	1
2	Tank Assembly	See Tank Sheet	1
3	Levelwind Valves	See Levelwind Valve Sheet	1



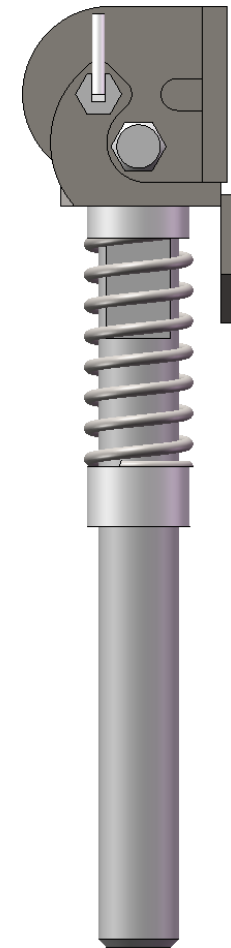
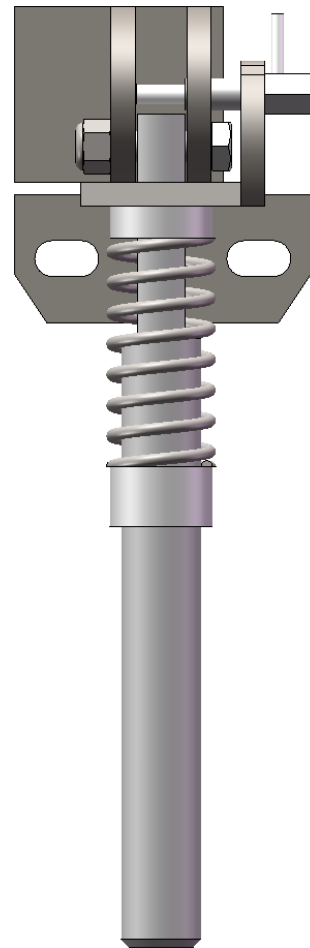
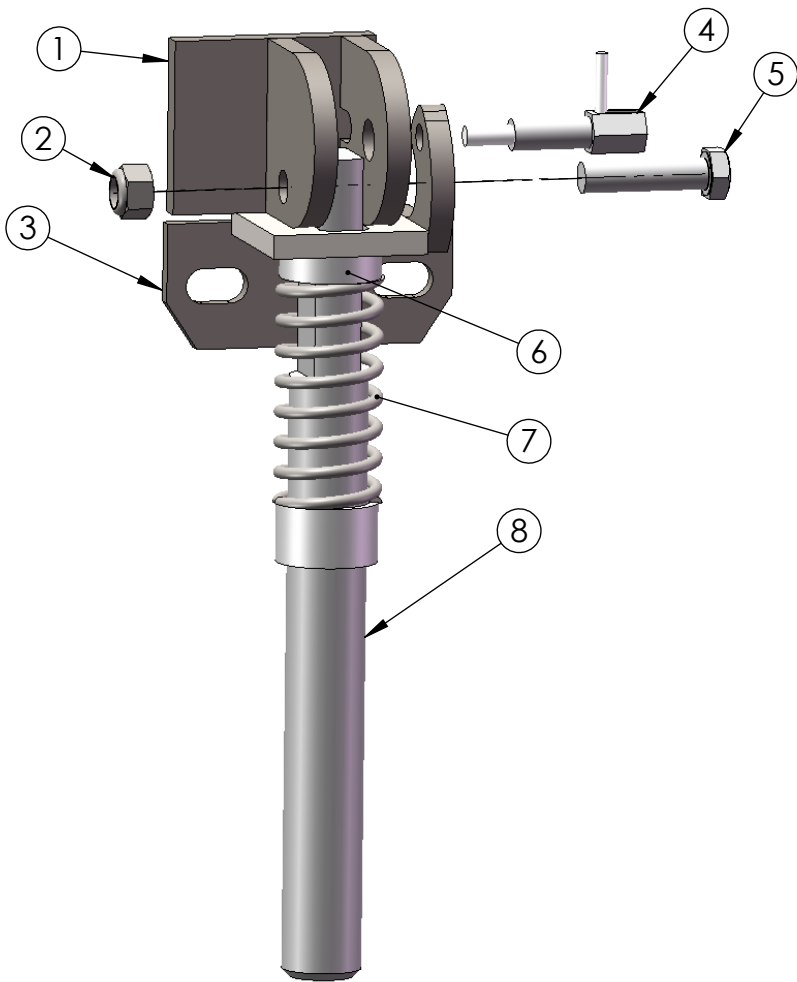
ITEM NO.	PART NUMBER	DESCRIPTION	QTY.
1	C32070	Levelwind Cylinder	4
2	F10010	Mud Flap	2
3	Trailer Lighting	See Lighting Sheets	1
4	A07102	Tandem Axle	1



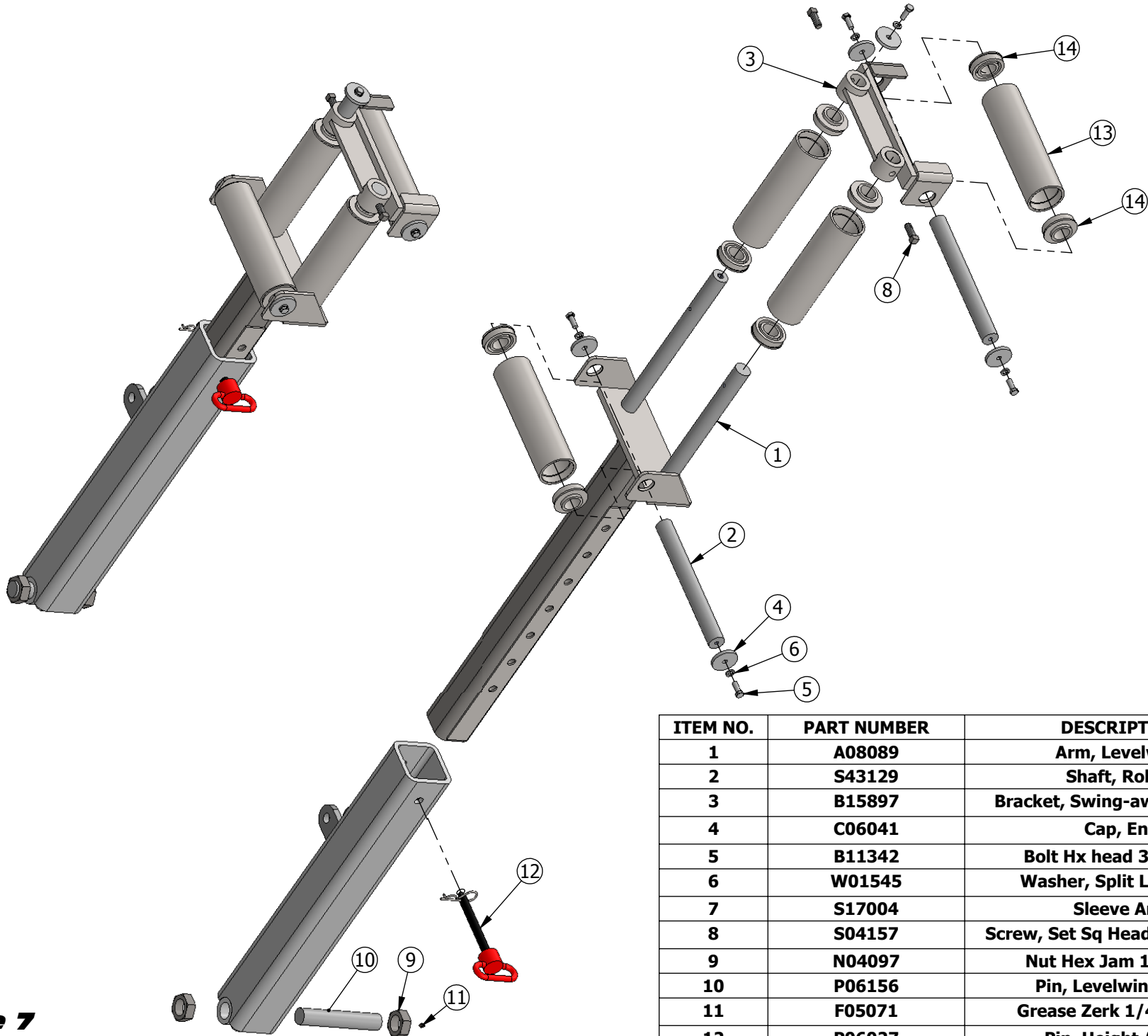
ITEM NO.	PART NUMBER	DESCRIPTION	QTY.
1	B07404	Bearing, 3" Pillow Block	3
2	R07017	Reel Assembly	2
3	S29162	Sprocket, 140C 54t 3" bore	1
4	K01010	Key, 1/2 x 1/2 x 2-1/2	5
5	S43069	Shaft, 3"	1



ITEM NO.	PART NUMBER	DESCRIPTION	QTY.
1	B11455	Bolt, Hx Head 1/2"-20 x 2" Z8	8
2	D02043	Disc, Brake 30"	1
3	H09019	Hub, Locking	1
4	B07006	Bearing, Flange 3"	2
5	N04019	Nut, Nylock® 1/2"-20	9
6	L08034	Lock, Reel Pin	1
7	R07017	27" x 58" x 12-3/4" core reel	1
8	H06035	Holder, Rope	1



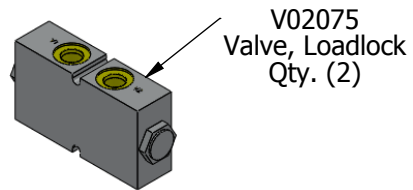
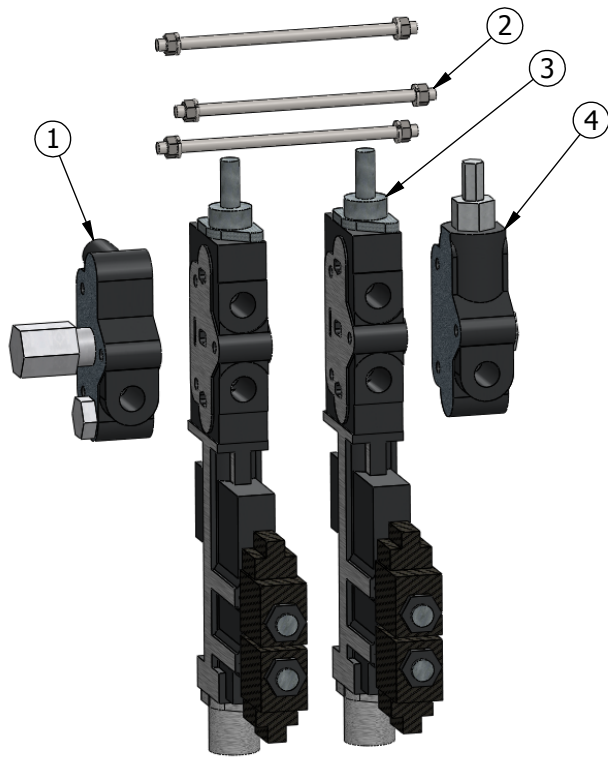
ITEM NO.	PART NUMBER	DESCRIPTION	QTY.
1	H02042	Cam handle assy	1
2	N04555	Nut, Hex Nylock® 1/2"-13	1
3	B15122	Mounting bracket	1
4	L08004	Locking pin	1
5	B11366	Bolt Hx head 1/2-13x2	1
6	S24021	Spacer, Reel Locking pin	1
7	S28026	Spring, 1-1/4 x 4	1
8	P06071	Pin, Short Cam-Lock	1



ITEM NO.	PART NUMBER	DESCRIPTION	QTY.
1	A08089	Arm, Levelwind	1
2	S43129	Shaft, Roller	2
3	B15897	Bracket, Swing-away Fairlead	1
4	C06041	Cap, End	5
5	B11342	Bolt Hx head 3/8-16x1	5
6	W01545	Washer, Split Lock 3/8"	5
7	S17004	Sleeve Arm	1
8	S04157	Screw, Set Sq Head 1/2 x 1-1/4	2
9	N04097	Nut Hex Jam 1-1/4-12	2
10	P06156	Pin, Levelwind Pivot	1
11	F05071	Grease Zerk 1/4"-28 tap	1
12	P06027	Pin, Height Adjust	1
13	R20044	Roller, Painted Steel	4
14	B07110	Bearing, Roller	8

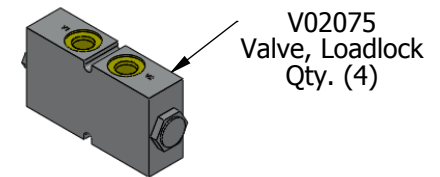
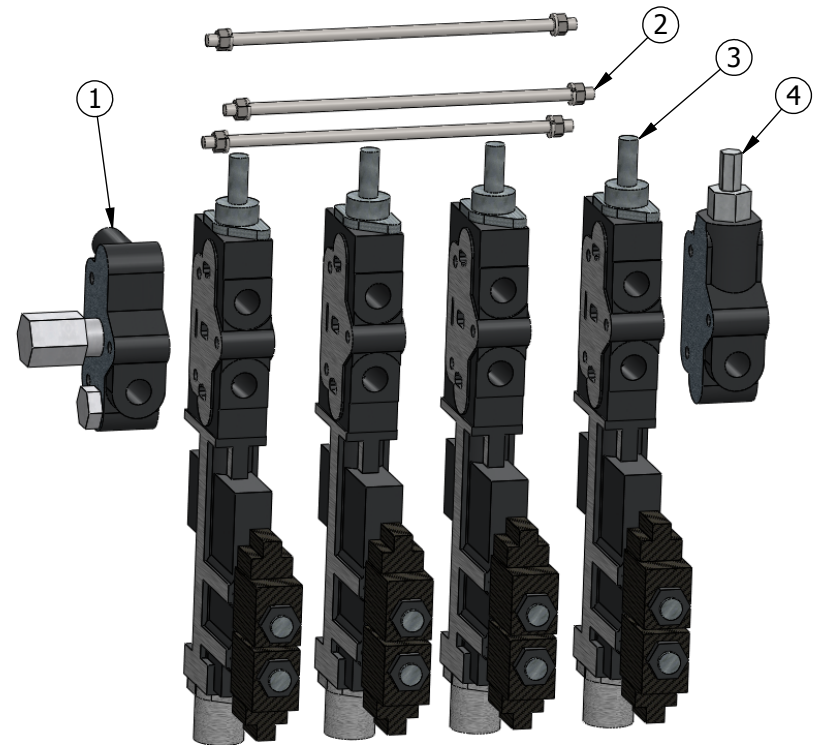
ITEM NO.	PART NUMBER	DESCRIPTION	QTY.
1	V02104	Valve, Outlet	1
2	K02323	Kit, 2 Bank Tie Rod	1
3	V02103	Valve, 4-Way	2
4	V02100	Valve, Inlet	1

**For Units with (2) Rear Levelwinds**

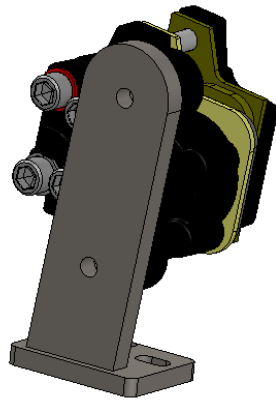


ITEM NO.	PART NUMBER	DESCRIPTION	QTY.
1	V02104	Valve, Outlet	1
2	K02321	Kit, 4 Bank Tie Rod	1
3	V02103	Valve, 4-Way	4
4	V02100	Valve, Inlet	1

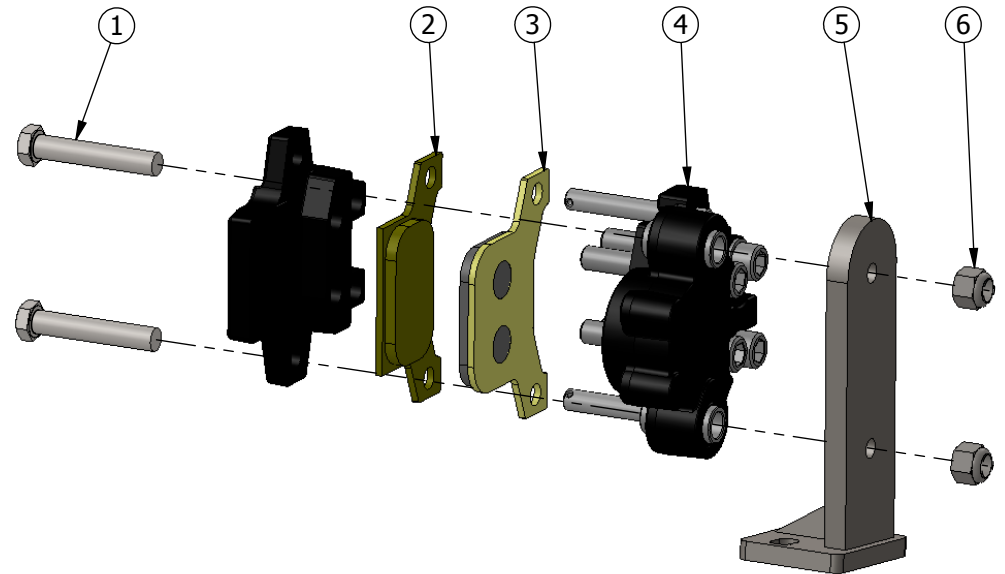
**For Units with (4) Front & Rear Levelwinds**







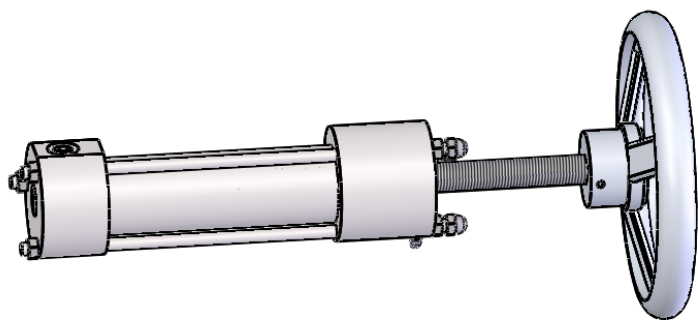
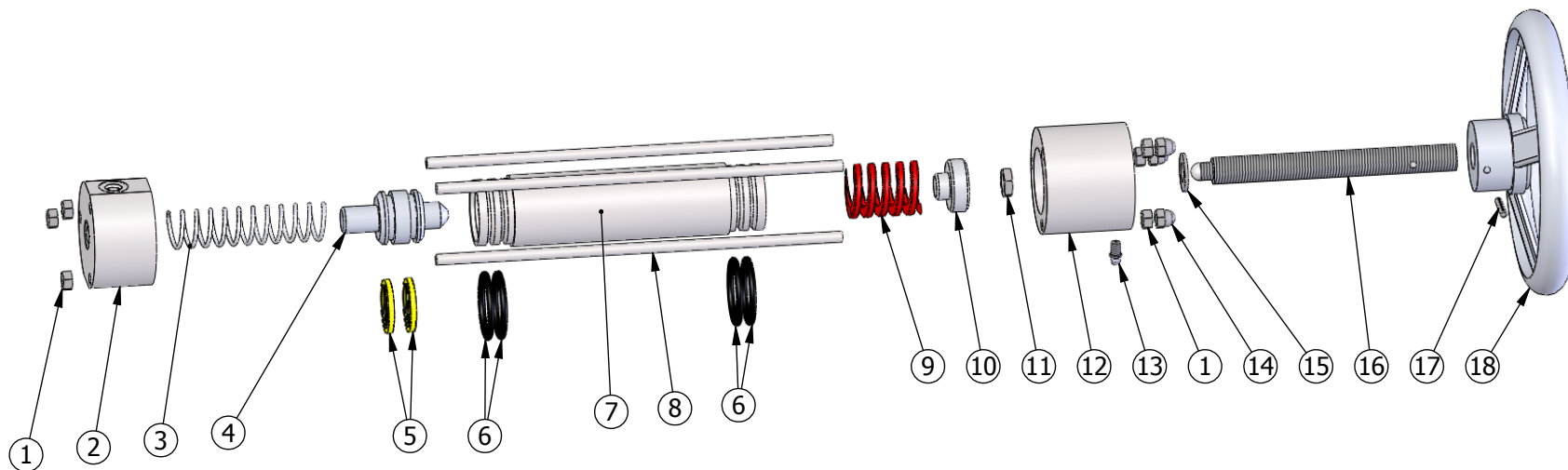
**RIGHT HAND**



**LEFT HAND**

**NOTE: QUANTITIES ARE PER ASSEMBLY, (4) ASSEMBLIES PER TRAILER  
(WHEN ORDERING CALIPER STAND SPECIFY LEFT OR RIGHT HAND)**

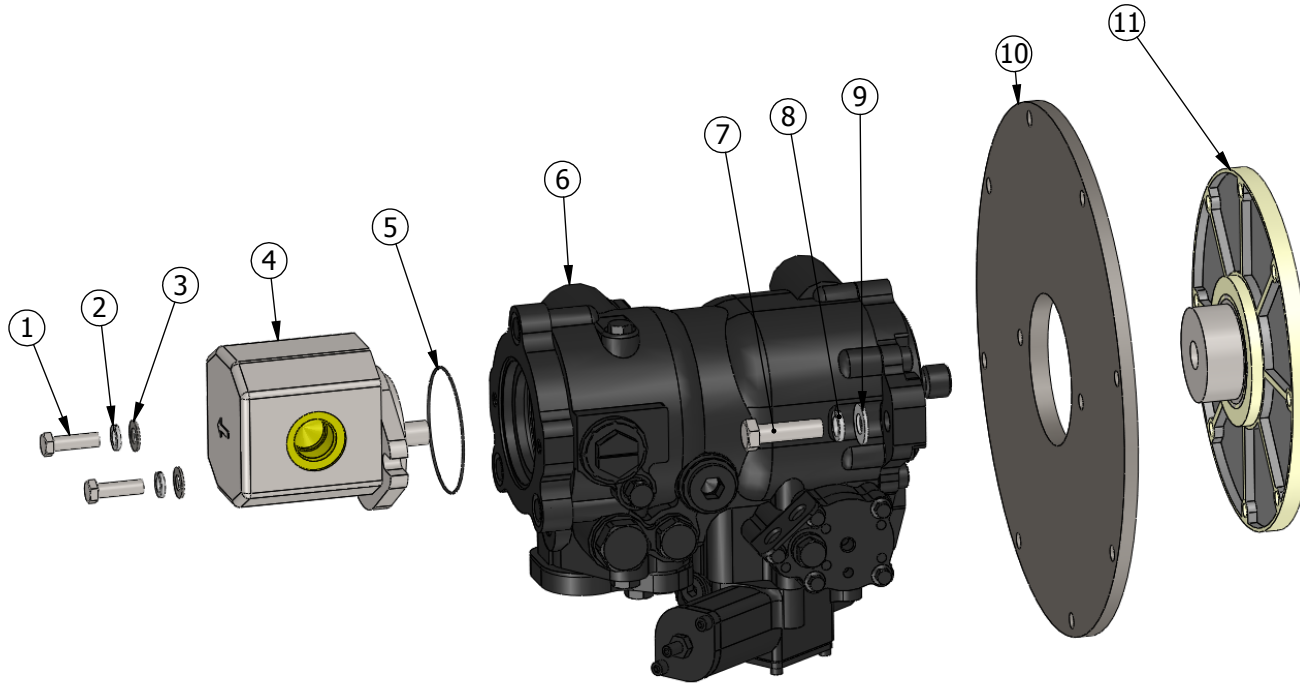
ITEM NO.	PART NUMBER	DESCRIPTION	QTY.
1	B11484	Bolt Hx head 5/8-11x3-1/2 Z8	2
2	83754	Brake Pad (Stationary Side)	1
3	81051	Brake Pad (Piston Side)	1
4	C04912	Caliper, Brake	1
5	B15916	Caliper Stand	1
6	N04558	Nut Hex Nylock® 5/8-11	2



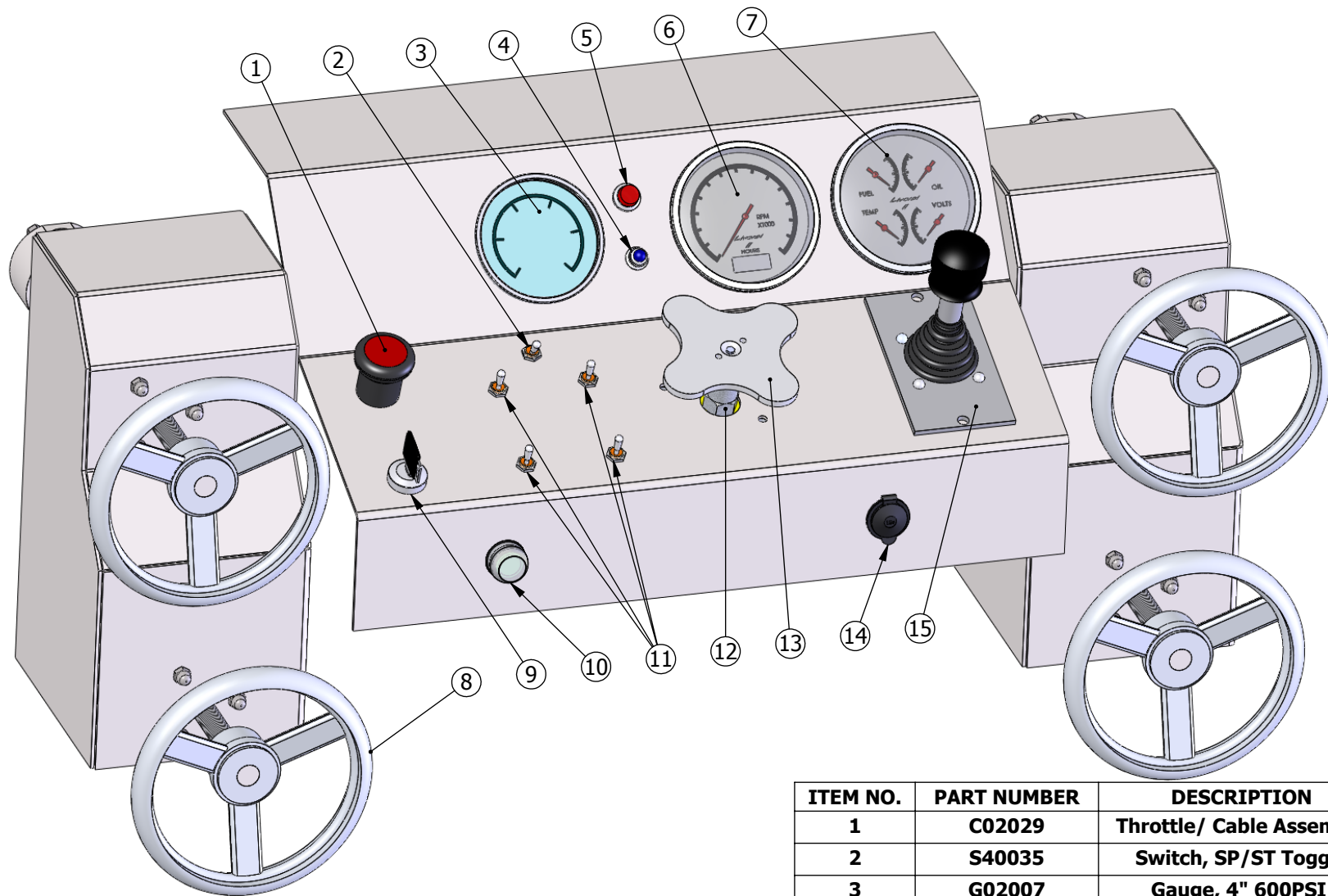
ITEM NO.	PART NUMBER	DESCRIPTION	QTY.
1	N04107	Nut Hex 5/16"-18	6
2	C06009	Bar round 3" 1018	1
3	S28022	Return Spring	1
4	P08017	Piston, Aluminum two groove	1
5	O01061	Seal	2
6	O01060	O-Ring	4
7	H08003	Cylinder Tube	1
8	R19007	Bar round 5/16" 1018	3
9	S28021	Spring	1
10	P08016	2" Aluminum RB	1
11	N04039	Nut Hex Jam 1/2-20	1
12	C06012	Bar round 3" 1018	1
13	F05630	Fitting, 1/4"-28 Zerk	1
14	N04103	Nut Hex 5/16"-18 Acorn	3
15	W01005	Washer, Flat SAE 1/2"	1
16	S04006-001	Bar 3/4"-8 acme thread	1
17	P06186	Pin, Roll 3/16 "x 1"	1
18	H02060	Handle, 8" Dia.	1



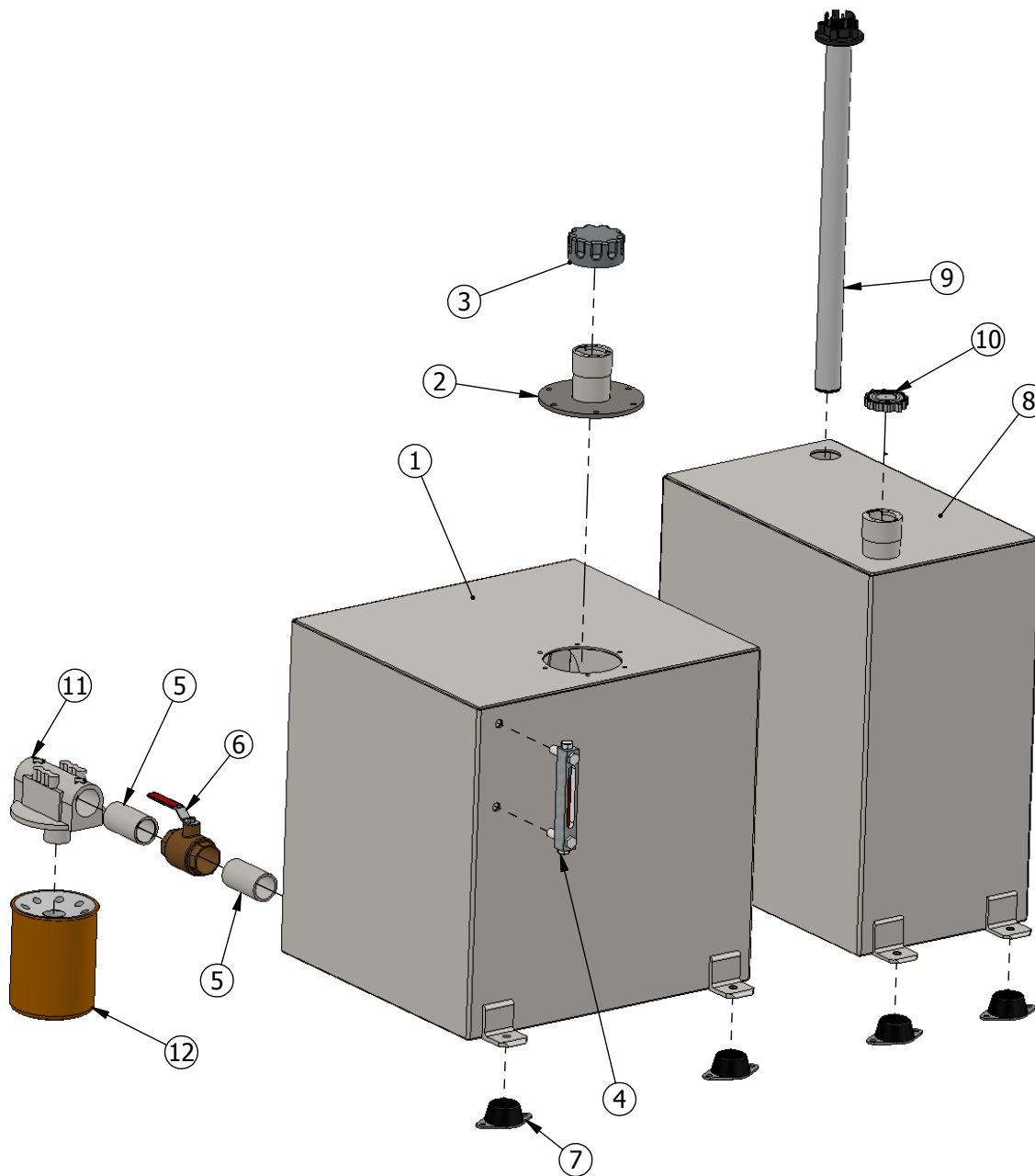
ITEM NO.	PART NUMBER	DESCRIPTION	QTY.
1	G12006	Planetary Gear	1
2	M08043	Motor, Sauer MMF035D	1
3	S43066	ODP30-4D Re-Drive	1
4	I02100	Idler sprocket mount - adjustable	1
5	S29014	Sprocket, Idler 11t	1
6	S43062	Shaft, Idler Sprocket	1
7	B11375	Bolt Hx head 5/8-11x1-3/4	6
8	B11020	Bolt Hx head 5/16-18x1	1
9	W01048	Washer, Split Lock 5/16"	1
10	B11433	Bolt, Hx head 1/2-13x1-1/2 Z8	4
11	W01565	Washer, Split Lock 1/2"	4
12	W01005	Washer Flat SAE 1/2	4
13	F05071	Grease Zerk 1/4-28 tap	1
14	W01040	Washer, Split Lock 5/8"	6



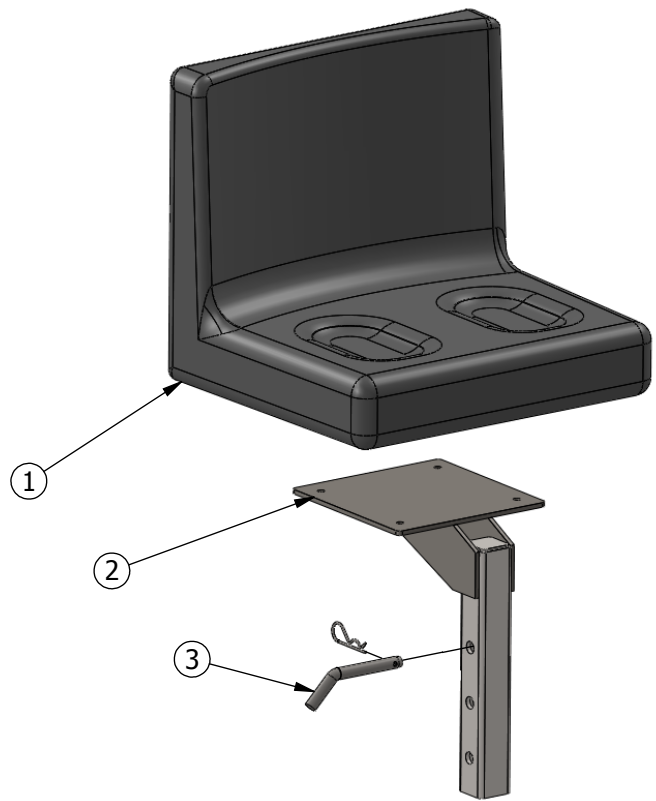
ITEM NO.	PART NUMBER	DESCRIPTION	QTY.
1	B11343	Bolt Hx head 3/8-16x1-1/4	2
2	W01545	Washer, Split Lock 3/8"	2
3	W01002	Washer Flat SAE 3/8	2
4	P20106	Pump, 10gpm	1
5	O01111	O-ring Small Gear Pump	1
6	P20070	Pump, Hydraulic	1
7	B11364	Bolt Hx head 1/2-13x1-3/4	2
8	W01565	Washer, Split Lock 1/2"	2
9	W01005	Washer, Flat SAE 1/2"	2
10	P09097	Pump Adapter Plate	1
11	C28026	Pump Coupler/ Flywheel	1



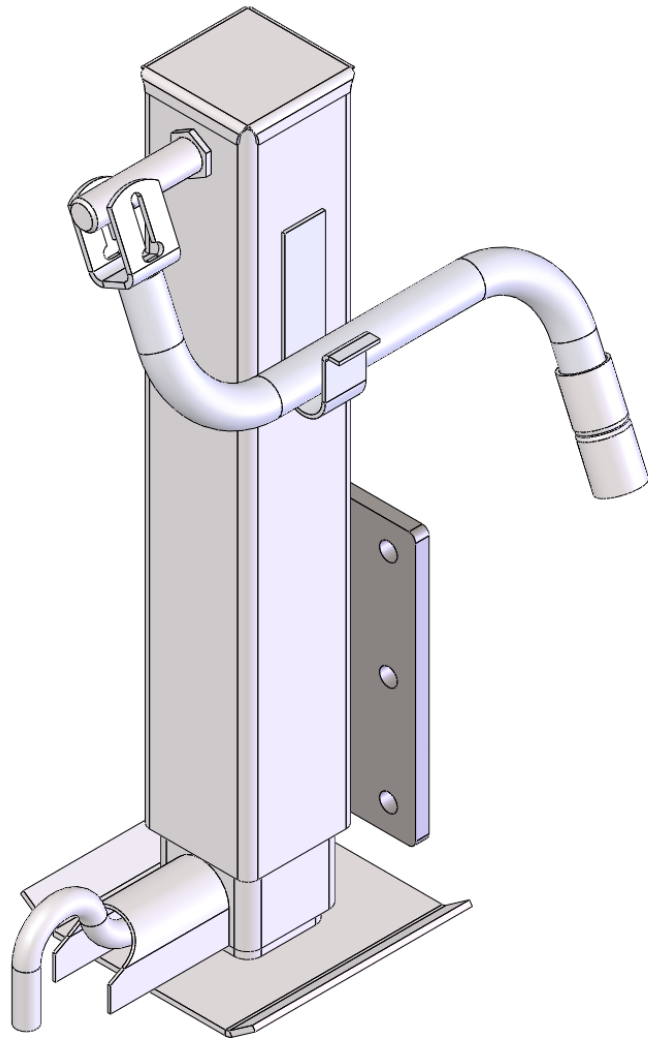
ITEM NO.	PART NUMBER	DESCRIPTION	QTY.
1	C02029	Throttle/ Cable Assembly	1
2	S40035	Switch, SP/ST Toggle	1
3	G02007	Gauge, 4" 600PSI	1
4	L04200	PreHeat Light	1
5	L04025	Light, Pilot	1
6	G02022	Livorsi Tachometer	1
7	G02033	Gauge, Livorsi 4 in 1	1
8	C32004	Brake Cylinder	4
9	S41100	Switch Ignition JDD	1
10	S40169	Switch, Payout Lock-Out	1
11	S40100	Switch, SP/DT Momentary	4
12	M04061	Manifold Tension Control	1
13	H02063	Handle CP210 relief	1
14	S21020	12v Socket	1
15	C34031	Joystick Controller	1



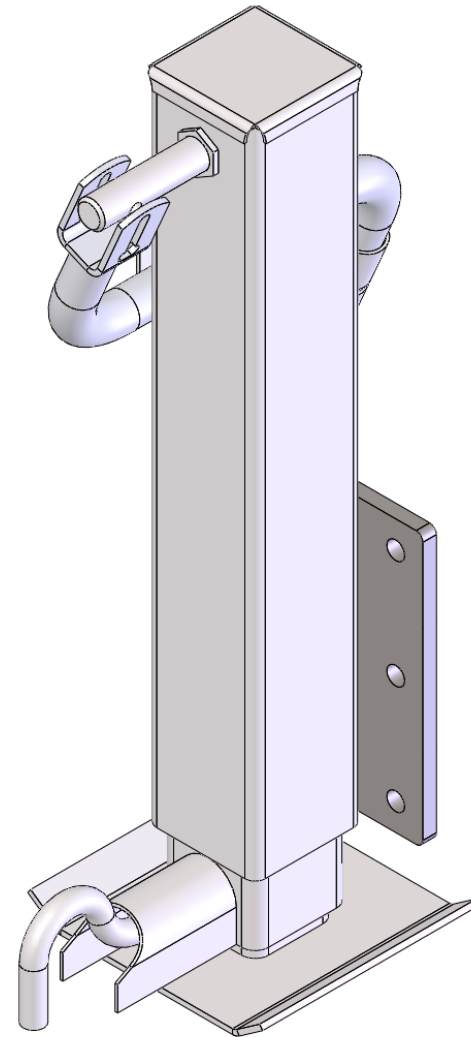
ITEM NO.	PART NUMBER	DESCRIPTION	QTY.
1	T01100	Tank, Hydraulic 31 gallon	1
2	N07002	Neck, Hydraulic fill	1
3	C06155A	Cap, Hydraulic	1
4	G02046	Gauge, Hyd oil level	1
5	N02001	Nipple, 1-1/4" x 3"LG	2
6	V02001	Valve, Ball 1-1/4" NPT	1
7	I04003	Insulator, Small	8
8	T01103	Tank, Fuel 23.8 gallon	1
9	S46006	Fuel Sender	1
10	C06205	Cap, Fuel	1
11	F04021	Filter Head	1
12	F04020	Filter 10 micron	1



ITEM NO.	PART NUMBER	DESCRIPTION	QTY.
1	S03040	Seat, Operator JD	1
2	P14053	Post, Offset Seat Mount	1
3	P06965	Pin, 5/8" X 3-1/4"	1

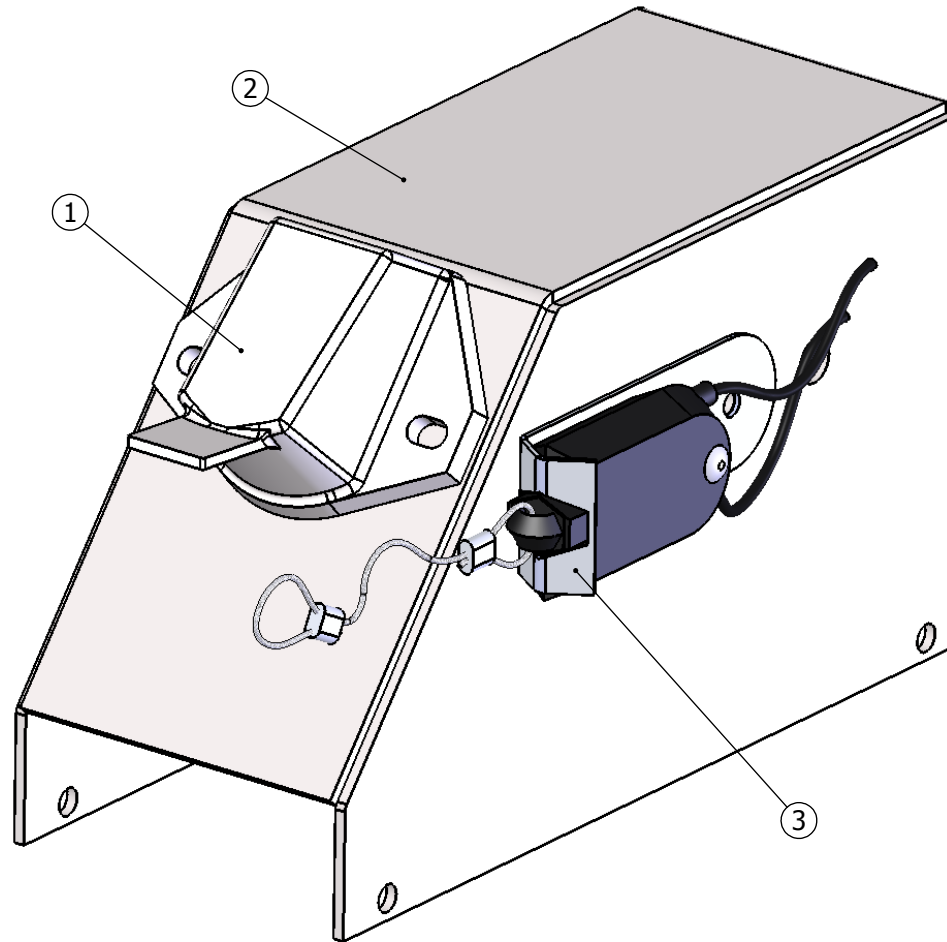


**J04041  
REAR STREETSIDE/FRONT  
JACKSTAND**

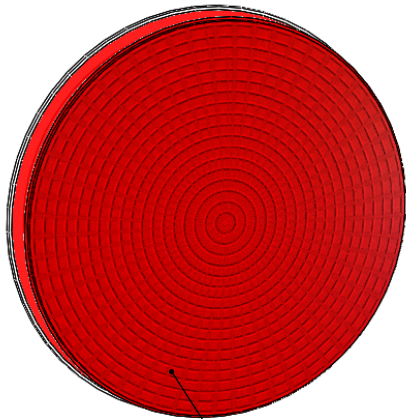


**J04044  
REAR CURBSIDE  
JACKSTAND**

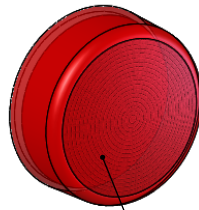




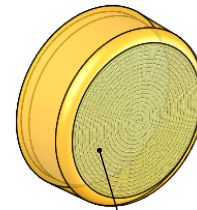
ITEM NO.	PART NUMBER	DESCRIPTION	QTY.
1	S21035	Socket 7-wire Pollak	1
2	H05072	Hood, Electrical	1
3	S40003	Switch, Breakaway	1



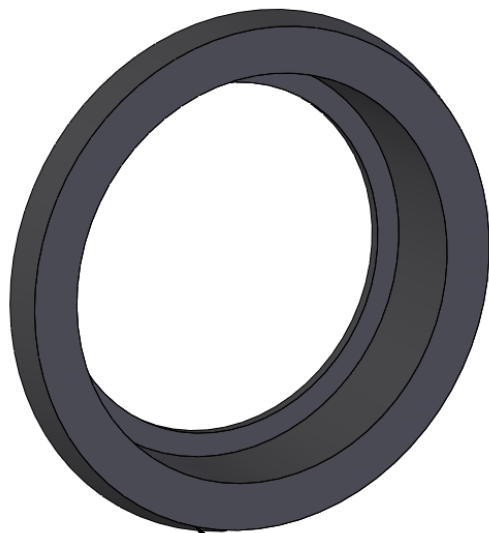
**L04030**  
Light, 4" Tail Stop Turn



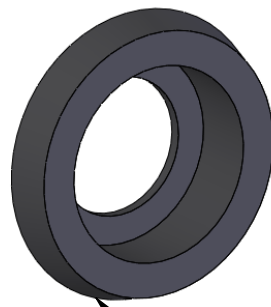
**L04070**  
Light, 2" Red



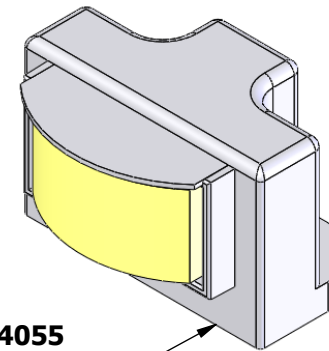
**L04035**  
Light, 2" Amber



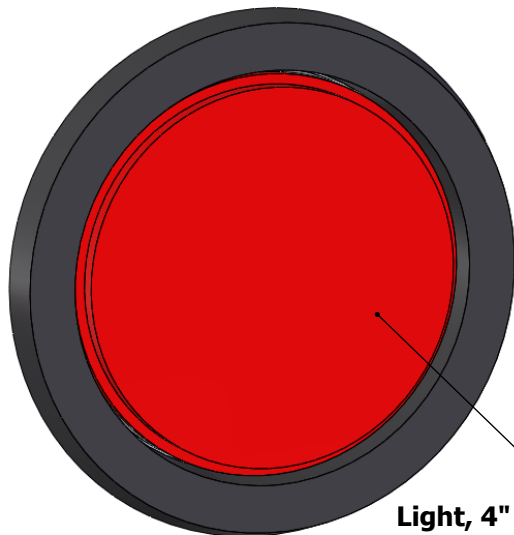
**G08010**  
Grommet, 4" Tail/Stop/Turn



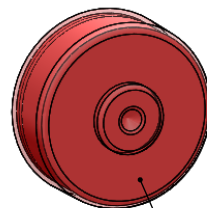
**G08005**  
Grommet 2" Light



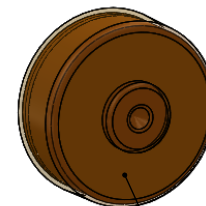
**L04055**  
Light, License plate



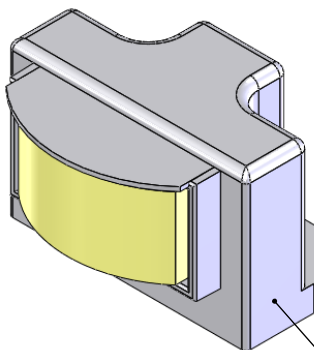
**L04032**  
Light, 4" Tail/Stop/Turn Kit LED



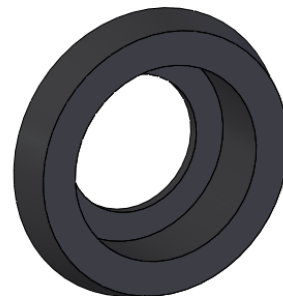
**L04310**  
Light Red 2" LED



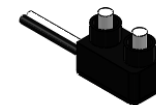
**L04311**  
Light Amber 2" LED



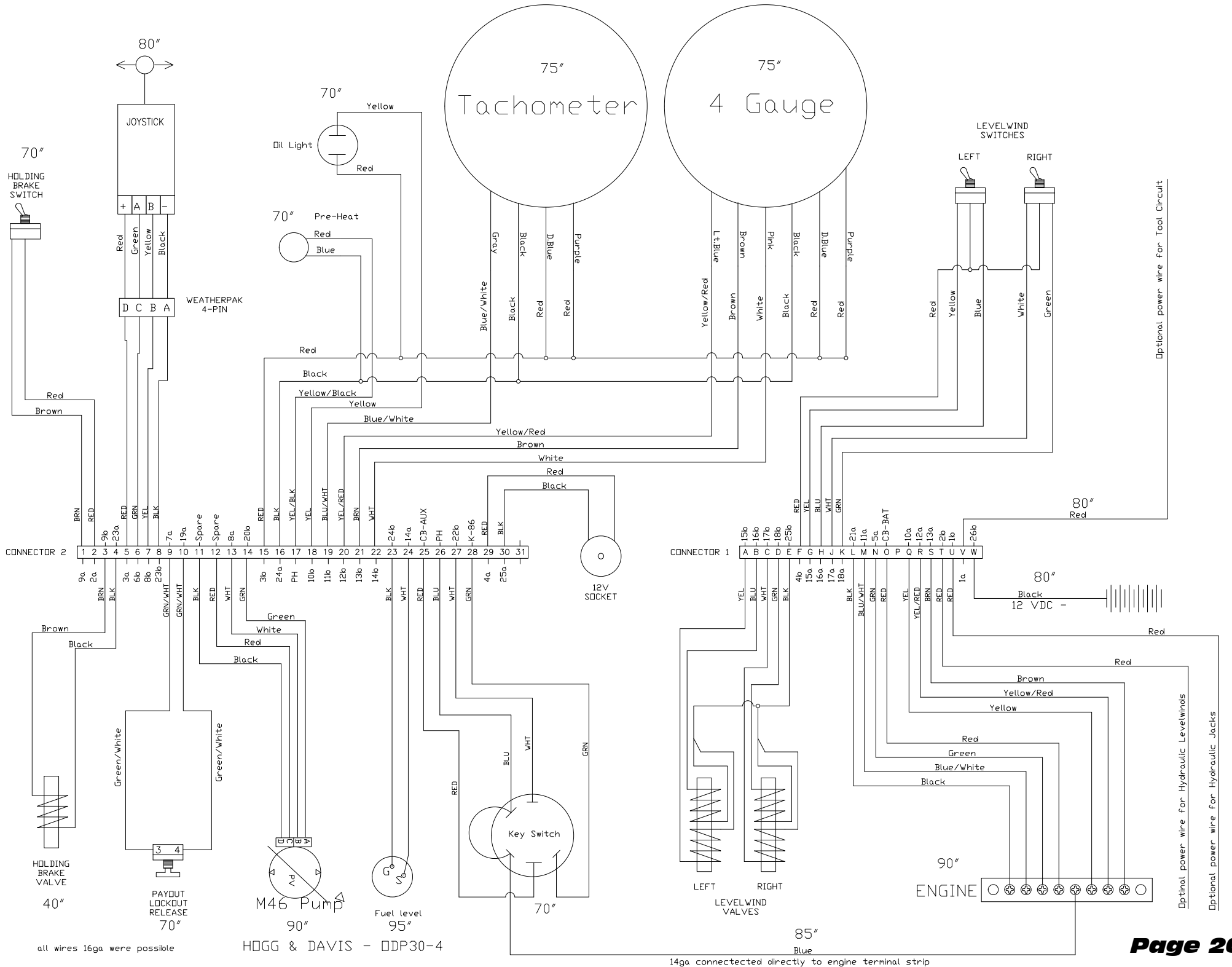
**L04055**  
Light, License plate



**G08005**  
Grommet 2" Light



**P05025**  
Pigtail 2 wire



Optional power wire for Tool Circuit

Optional power wire for Hydraulic Levelwinds

Optional power wire for Hydraulic Jacks

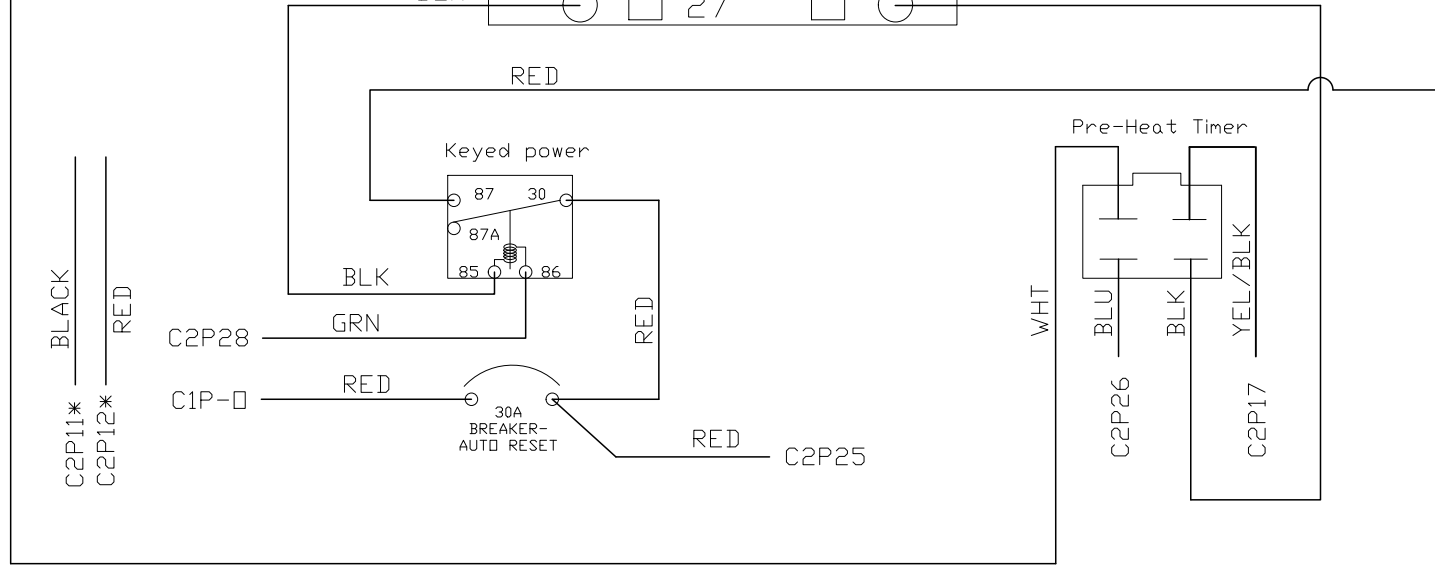
all wires 16ga were possible

HOGG & DAVIS - ODP30-4

14ga connected directly to engine terminal strip

			A		B					
C1P-V	tool circuit +	RED	⊖	□	1	⊖	□	RED	hyd jacks +	C1P-U
C2P2	brake switch +	RED	⊖	□	2	⊖	□	RED	opt L/W +	C1P-T
C2P5	joystick +	RED	⊖	□	3	⊖	□	RED	gauge +	C2P15
C2P29	12V socket +	RED	⊖	□	4	⊖	□	RED	L/W switch +	C1P-F
C1P-N	engine run	GRN	⊖	□	5	⊖	□	RED		
		GRN	⊖	□	6	⊖	□	GRN	joystick A	C2P6
C2P9	payout lockout	GRN/WHT	⊖	□	7	⊖	□			
C2P13	M46 pump B	WHT	⊖	□	8	⊖	□	YEL	joystick B	C2P7
C2P1	brake switch	BRN	⊖	□	9	⊖	□	BRN	brake valve	C2P3
C2P-Q	oil / temp switch	YEL	⊖	□	10	⊖	□	YEL	oil / temp light	C2P18
C1P-M	tach signal	BLU/WHT	⊖	□	11	⊖	□	BLU/WHT	tachometer	C2P19
C1P-R	oil psi signal	YEL/RED	⊖	□	12	⊖	□	YEL/RED	oil psi	C2P20
C1P-S	temp signal	BRN	⊖	□	13	⊖	□	BRN	water temp	C2P21
C2P24	fuel level sender	WHT	⊖	□	14	⊖	□	WHT	fuel level	C2P22
C1P-G	L/W switch L	YEL	⊖	□	15	⊖	□	YEL	L/W valve	C1P-A
C1P-H	L/W switch L	BLU	⊖	□	16	⊖	□	BLU	L/W valve	C1P-B
C1P-J	L/W switch R	WHT	⊖	□	17	⊖	□	WHT	L/W valve	C1P-C
C1P-K	L/W switch R	GRN	⊖	□	18	⊖	□	GRN	L/W valve	C1P-D
C2P10	payout lockout	GRN/WHT	⊖	□	19	⊖	□			
		GRN	⊖	□	20	⊖	□	GRN	M46 pump A	C2P14
C1P-L	starter	BLK	⊖	□	21	⊖	□			
	start sig	WHT	⊖	□	22	⊖	□	WHT	key, start	C2P27
C2P4	brake valve -	BLK	⊖	□	23	⊖	□	BLK	joystick -	C2P8
C2P16	gauge -	BLK	⊖	□	24	⊖	□	BLK	fuel sender -	C2P23
C2P30	12V socket -	BLK	⊖	□	25	⊖	□	BLK	L/W valves -	C1P-E
			⊖	□	26	⊖	□	BLK	battery -	C1P-W
		BLK	⊖	□	27	⊖	□	BLK		

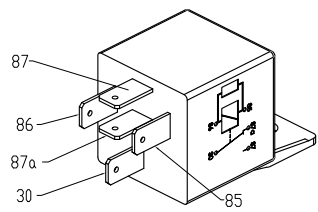
Diode

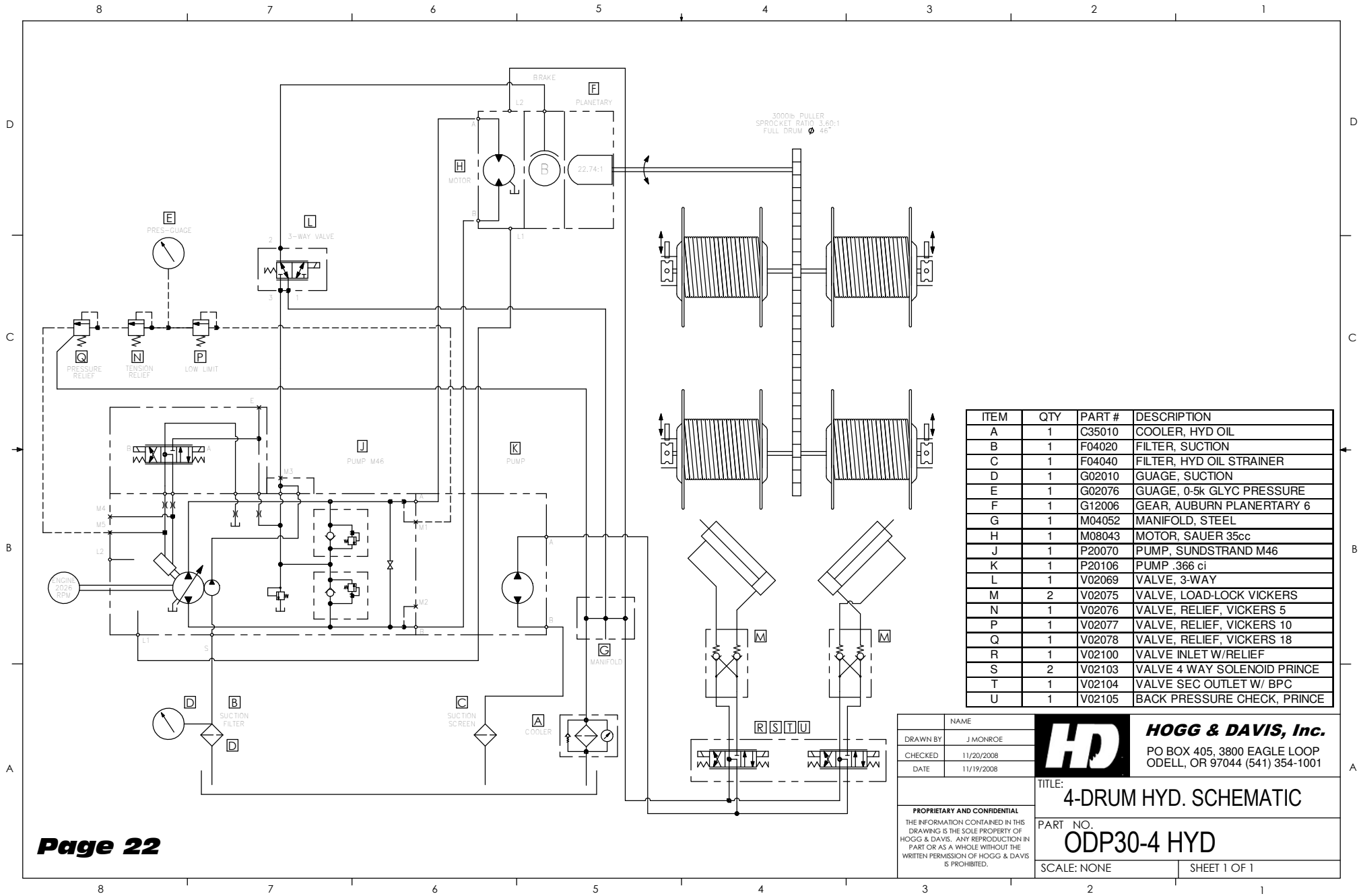


\* 2nd coil from M46 pump

note: Terminals 6 and 7 are connected  
 Terminals 19 and 20 are connected  
 Terminals 21 and 22 are connected

C1P-D is BATTERY (+)  
 C1P-W is BATTERY (-)





ITEM	QTY	PART #	DESCRIPTION
A	1	C35010	COOLER, HYD OIL
B	1	F04020	FILTER, SUCTION
C	1	F04040	FILTER, HYD OIL STRAINER
D	1	G02010	GUAGE, SUCTION
E	1	G02076	GUAGE, 0-5k GLYC PRESSURE
F	1	G12006	GEAR, AUBURN PLANETARY 6
G	1	M04052	MANIFOLD, STEEL
H	1	M08043	MOTOR, SAUER 35cc
J	1	P20070	PUMP, SUNSSTRAND M46
K	1	P20106	PUMP .366 ci
L	1	V02069	VALVE, 3-WAY
M	2	V02075	VALVE, LOAD-LOCK VICKERS
N	1	V02076	VALVE, RELIEF, VICKERS 5
P	1	V02077	VALVE, RELIEF, VICKERS 10
Q	1	V02078	VALVE, RELIEF, VICKERS 18
R	1	V02100	VALVE INLET W/RELIEF
S	2	V02103	VALVE 4 WAY SOLENOID PRINCE
T	1	V02104	VALVE SEC OUTLET W/ BPC
U	1	V02105	BACK PRESSURE CHECK, PRINCE

NAME	
DRAWN BY	J MONROE
CHECKED	11/20/2008
DATE	11/19/2008



**HOGG & DAVIS, Inc.**  
 PO BOX 405, 3800 EAGLE LOOP  
 ODELL, OR 97044 (541) 354-1001

TITLE:  
**4-DRUM HYD. SCHEMATIC**

PART NO.  
**ODP30-4 HYD**

**PROPRIETARY AND CONFIDENTIAL**  
 THE INFORMATION CONTAINED IN THIS  
 DRAWING IS THE SOLE PROPERTY OF  
 HOGG & DAVIS. ANY REPRODUCTION IN  
 PART OR AS A WHOLE WITHOUT THE  
 WRITTEN PERMISSION OF HOGG & DAVIS  
 IS PROHIBITED.

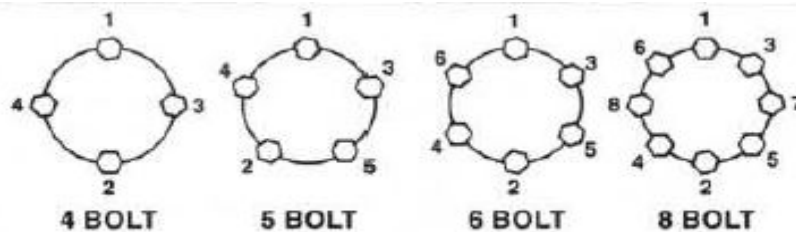
SCALE: NONE      SHEET 1 OF 1

# **Wheel Torque Requirements**

Be sure to use only the fasteners matched to the cone angle of your wheel (usually 60° or 90°). The proper procedure for attaching your wheels is as follows:

1. Start all bolts or nuts by hand to prevent cross threading.
2. Tighten bolts or nuts in the sequence shown for wheel torque requirements.
3. The tightening of the fasteners should be done in stages. Following the recommended sequence, tighten fasteners as shown in the chart below.
4. Wheel nuts/bolts should be torqued before first road use and after each wheel removal. Check and re-torque after the first 10 miles, 25 miles and again at 50 miles. Check periodically thereafter.

<b>Wheel Size</b>	<b>1st Stage</b>	<b>2nd Stage</b>	<b>3rd Stage</b>
12"	20-25	35-40	50-75
13"	20-25	35-40	50-75
14"	20-25	50-60	90-120
15"	20-25	50-60	90-120
16"	20-25	50-60	90-120
16.5" x 6.75"	20-25	50-60	90-120
16.5" x 9.75"	55-60	120-125	175-225
14.5" Demount	Tighten Sequentially to		85-95
17.5" Hub Pilot Clamp Ring & Cone Nuts	50-60	100-120	190-210
17.5" Hub Pilot 5/8" Flange Nuts	50-60	90-200	275-325



# **Maximum Wheel Fastener Torque**

The wheel mounting studs used on Dexter Axles conforms to the SAE standards for grade 8. The maximum torque level that can be safely applied to these studs is listed in the following chart:

<b>Stud Size</b>	<b>Max. Torque</b>
1/2"-20 UNF, class 2A	120 lb ft.
9/16"-18, class 2A	170 lb ft.
5/8"-18, class 2A	325 lb ft.

## CAUTION

**Exceeding the above listed torque limits can damage studs and/or nuts and lead to eventual fractures and dangerous wheel separation.**





## **ODP 30-4**

### **Specifications**

#### **Performance**

Continuous torque rating of 31,000 in-lbs, intermittent of 37,000 in-lbs  
Continuous line pull of 3,000 lbs at full reel  
0-4 mph line speed with infinite speed and inching control  
3,500 PSI maximum hydraulic pressure at full performance

#### **Reel**

Four pulling reels with individual mechanical engagement at each reel  
Reel is 52" diameter, 31" between flanges with a 12" core  
Capacity of 15,000 ft per reel of .5 inch or 10,000 ft per reel of .625  
Hydraulic Overspin Brakes  
Reel shaft mounted on pillow block and flange bearings  
Hydraulic post style level wind (2) rear of trailer, (4) optional

#### **Hydraulic Reel Drive**

Drive system with spring applied hydraulic release holding brake rated at 150% of rated machine torque. Braking system applies automatically in event of pressure loss.  
Manual holding brake control  
Variable displacement hydraulic pump with electric variable speed control  
Hydraulic oil cooler  
31 gallon hydraulic reservoir with oil level and temp gauge

#### **Engine**

Yanmar 4TNV88-DSA 47.5 hp water cooled diesel. 23.8 gallon fuel tank with gauge  
Optima Red Top battery  
Lockable steel battery box  
Direct Mount hydraulic pump drive  
Engine Hour meter

#### **Control Console**

The control console is positioned in the center of the trailer tongue to provide optimum visibility and safety.  
Laser Engraved operators panel with Rowmark Lasermax to a depth of .003 inches  
Hydraulic pressure gauge and Nominal line pull chart for line pull estimation  
Spring return to neutral control joystick for take up and pay out functions  
Levors Marine gauges with four gauge cluster and tachometer with hour meter  
Pay out lockout switch to prevent unintentional payout of rope or conductor  
Adjustable line pull pressure control  
Operator's protection screen  
Operator's seat

### **Trailer and undercarriage**

Tandem axle with 8,000 lb capacity, spring leaf type with 12V electric brakes and breakaway switch  
Break away chains ½" X 36" with hooks and premier #9 weldments  
Tires meeting or exceeding the GAWR of unit  
Lighting system in accordance with FMVSS 108  
Conspicuity System in accordance with FMVSS 108  
Heavy Duty crank style tongue and rear trailer jacks  
Frame is constructed of tubular steel, fully welded and gusseted  
Heavy duty gauge fenders with mud flaps  
Unit is to be painted prior to assembly.  
Blast with steel grit GM50, primed, baked, painted with two finish coats and cured for 2 hours at 140 degrees.  
Paint shall be Sherwin Williams Genesis II

### **Rope**

15,000 feet of ½" Samson Tenex 12 Strand Rope. Four different colors. Average breaking strength of 11,800 lbs

10,000 feet of 5/8" Samson Tenex 12 Strand Rope. Four different colors. Average breaking strength of 17,100 lbs

Step 4: crack fitting to let any trapped air out

Step 3: crack bleeder and pump oil through system until no more air comes out of caliper

Step 5: pump system up to @ 300psi and look for leaks. When finished, let the pressure in the system reach zero, then disconnect oil supply.

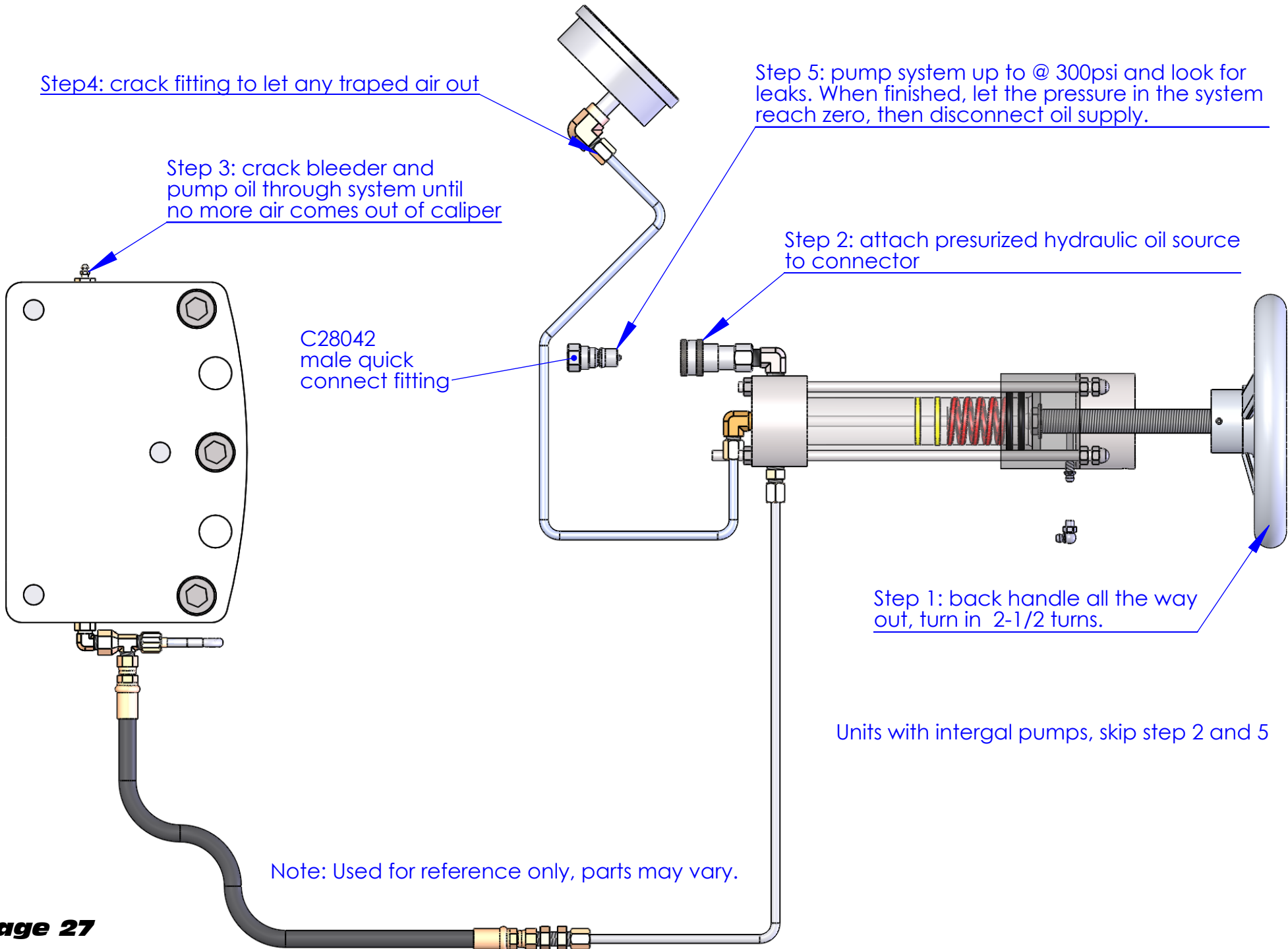
Step 2: attach pressurized hydraulic oil source to connector

Step 1: back handle all the way out, turn in 2-1/2 turns.

Note: Used for reference only, parts may vary.

C28042 male quick connect fitting

Units with intergal pumps, skip step 2 and 5



# Decal Kit # K40013



D30001  
(1)

HOGG & DAVIS, INC  
www.hoggdavis.com

D30018  
(1)



D30009  
(1)



D30010  
(3)



D30015  
(5)



R09043  
(4)



R09044  
(2)



D30042  
(11)



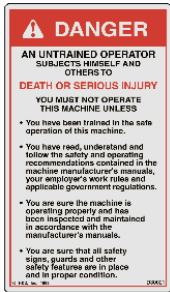
D30070  
(2)



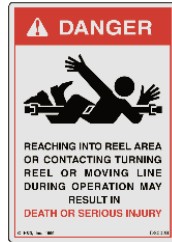
D30034  
(3)



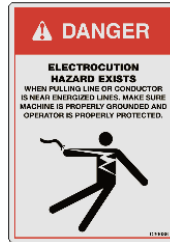
D30022  
(1)



D30021  
(1)



D30028  
(4)



D30036  
(4)



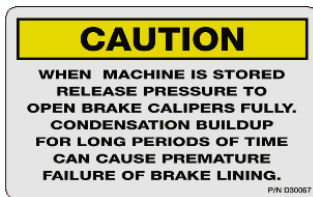
D30026  
(3)



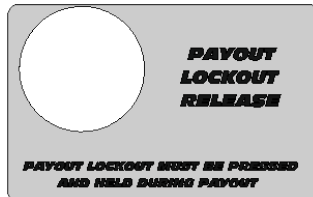
D30127  
(1)



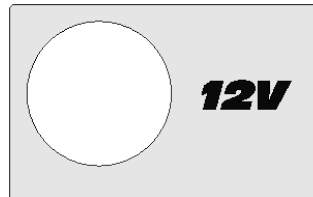
D30069  
(2)



D30067  
(2)



D30068  
(1)



D30083  
(1)



D30062  
(1)



D30063  
(1)



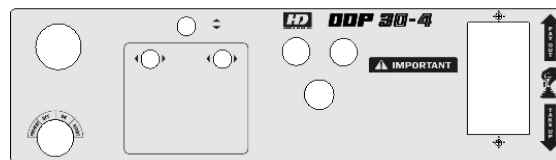
D30064  
(1)



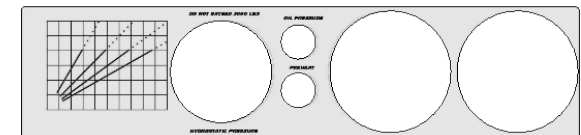
D30065  
(1)



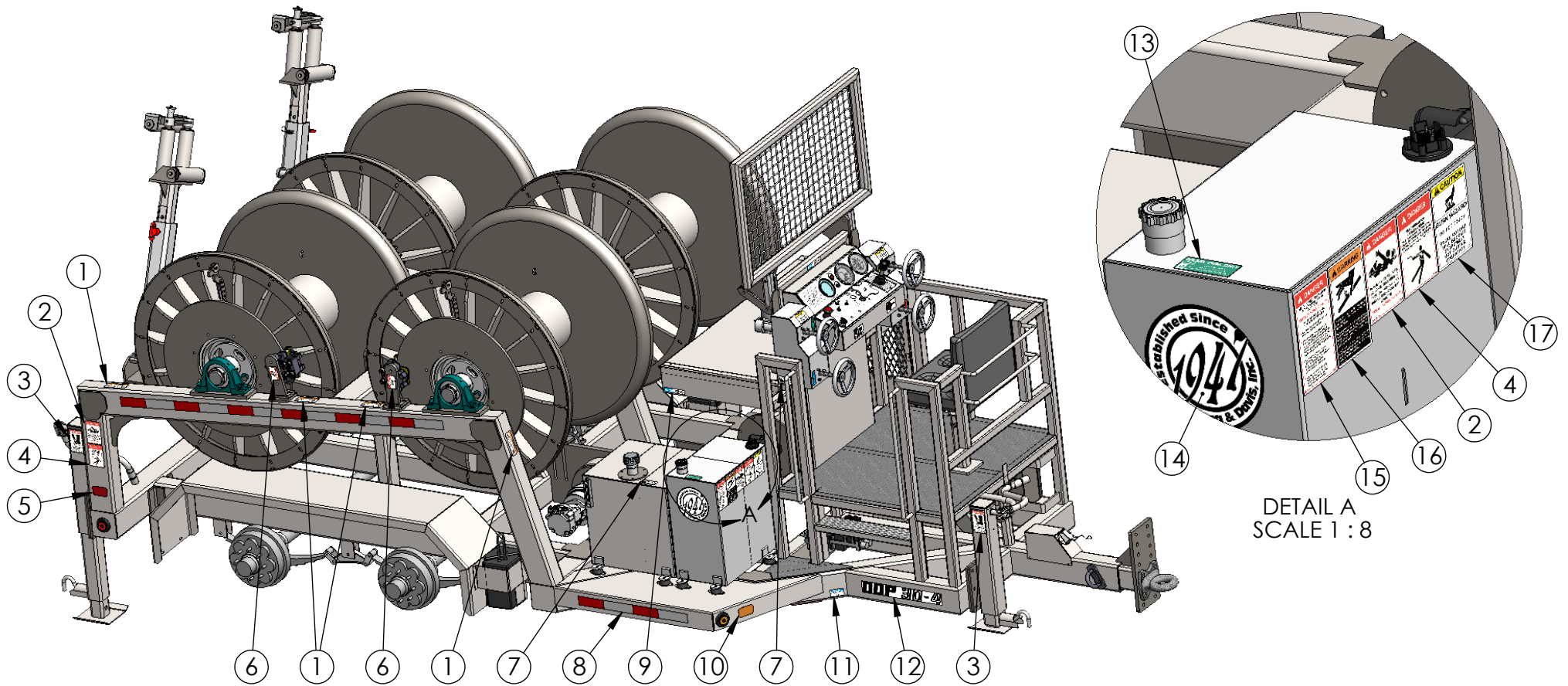
T19001



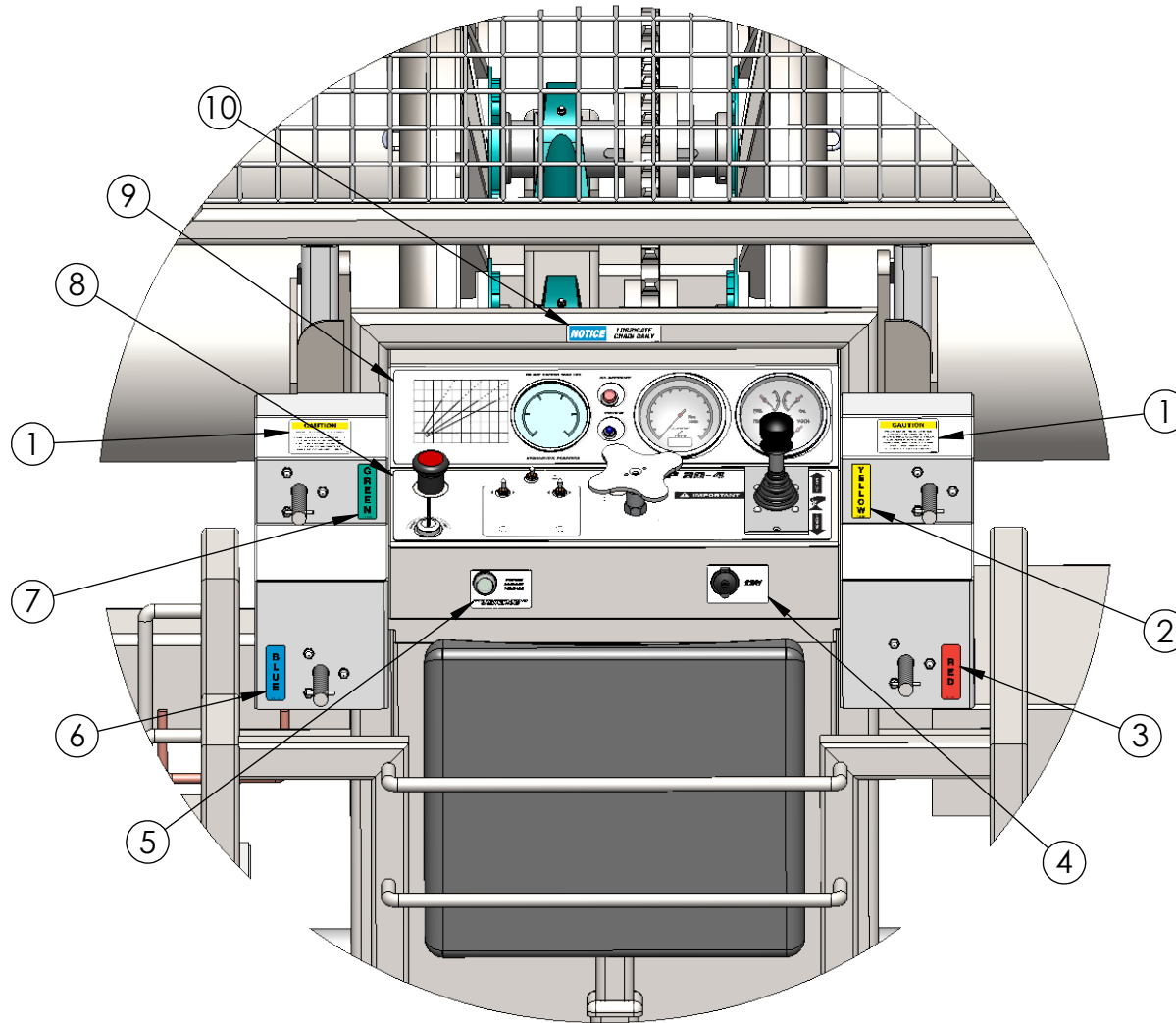
D30072  
(1)



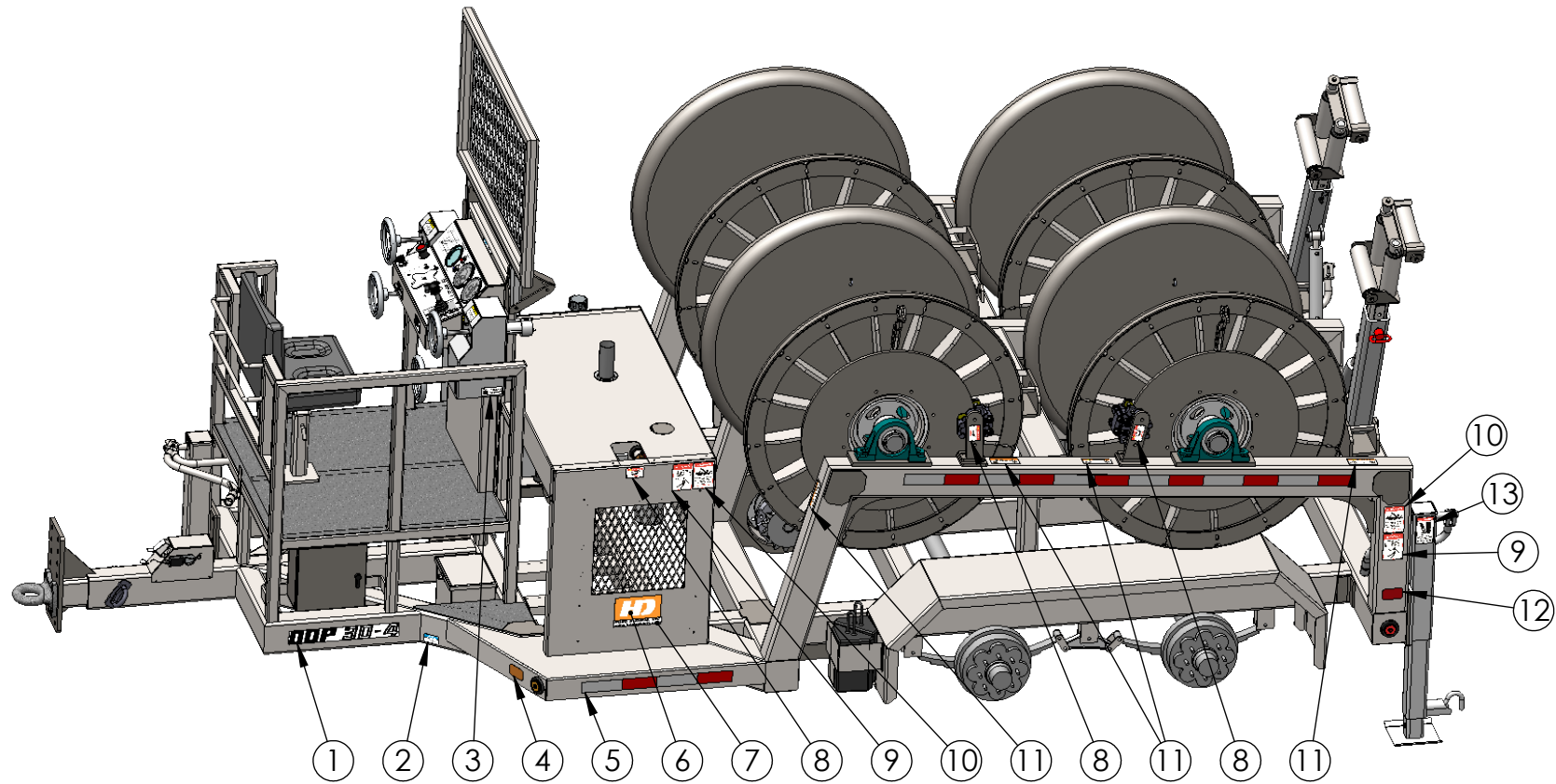
D30071  
(1)



ITEM NO.	PART NUMBER	DESCRIPTION	QTY.
1	D30042	Decal, Keep Hands Clear	11
2	D30028	Decal, Danger Twisty Man	4
3	D30026	Decal, Danger Stand Clear	3
4	D30036	Decal, Electrocution Hazard	4
5	R09043	Reflector, Red 2x3-1/2	4
6	D30015	Decal, Hot Surface	5
7	D30010	Decal, Hydraulic Fluid Only	3
8	T19001	Red/White Reflective tape	16
9	D30069	Decal, Lubricate Chain Daily	2
10	R09044	Reflector, Amber 2x3-1/2	2
11	D30034	Decal, Grounding Lug	3
12	D30070	Decal, 30-4 Tongue	2
13	D30009	Decal, Diesel Fuel Only	1
14	D30128	Established 1947	1
15	D30021	Decal, Untrained Operator	1
16	D30022	Decal, Danger Fluid Pressure	1
17	D30127	Decal, Burn Hazard	1

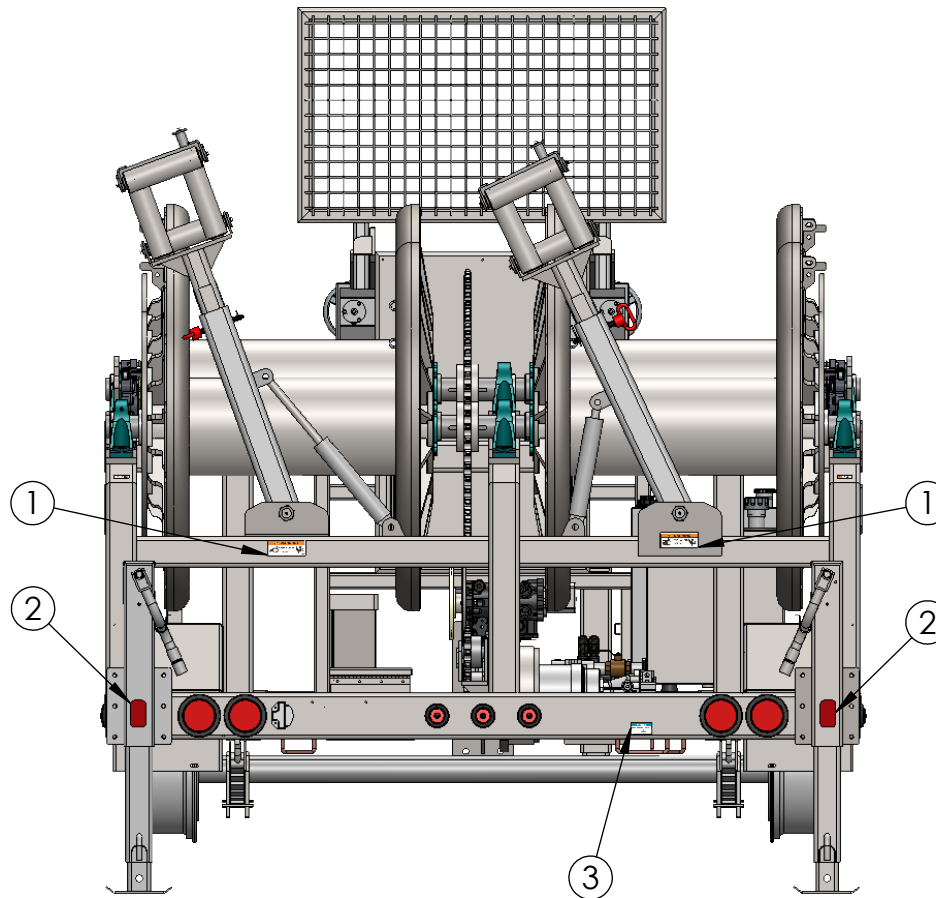


ITEM NO.	PART NUMBER	DESCRIPTION	QTY.
1	D30067	Decal, Release Pressure	2
2	D30065	Decal, Yellow Reel	1
3	D30062	Decal, Red Reel	1
4	D30083	Decal, 12v Socket	1
5	D30068	Decal, Payout Lockout Release	1
6	D30063	Decal, Blue Reel	1
7	D30064	Decal, Green Reel	1
8	D30072	Decal, Lower Control	1
9	D30071	Decal, Upper Control	1
10	D30069	Decal, Lubricate Chain Daily	2



ITEM NO.	PART NUMBER	DESCRIPTION	QTY.
1	D30070	Decal, 30-4 Tongue	2
2	D30034	Decal, Grounding Lug	3
3	D30010	Decal, Hydraulic Fluid Only	3
4	R09044	Reflector, Amber 2x3-1/2	2
5	T19001	Red/White Reflective tape	16
6	D30001	HD Logo 6x9	1
7	D30018	Decal, HD 1/2" x 9"	1
8	D30015	Decal, Hot Surface	5
9	D30036	Decal, Electrocution Hazard	4
10	D30028	Decal, Danger Twisty Man	4
11	D30042	Decal, Keep Hands Clear	11
12	R09043	Reflector, Red 2x3-1/2	4
13	D30026	Decal, Danger Stand Clear	3





ITEM NO.	PART NUMBER	DESCRIPTION	QTY.
1	D30042	Decal, Keep Hands Clear	11
2	R09043	Reflector, Red 2x3-1/2	4
3	D30034	Decal, Grounding Lug	3