

DOOSAN

950106-01245NA-1
July 2014

WHEEL LOADER

**Operation &
Maintenance
Manual**

DL550-5

Serial Number 10001 and Up



WARNING

CALIFORNIA PROPOSITION 65 WARNING

Diesel engine exhaust and some of its constituents are known to the state of California to cause cancer, birth defects and other reproductive harm.



WARNING

CALIFORNIA PROPOSITION 65 WARNING

Battery posts, terminals and related accessories contain lead and lead compounds, chemicals known to the State of California to cause cancer and birth defects or other reproductive harm. WASH HANDS AFTER HANDLING.

DOOSAN

Operation & Maintenance Manual DL550-5 WHEEL LOADER

Serial Number 10001 and Up

DOOSAN and the DOOSAN logo are registered trademarks of DOOSAN Corporation in the United States and various other countries around the world.



950106-01245NA-1

July 2014

Table of Contents

Foreword	0-1
Safety Messages	0-2
AEM Safety Manual (North America Only)	0-3
Product Information.....	0-4
Product Identification	0-5
Federal Emission Control Systems.....	0-6
Safety	1-1
Safety Decals.....	1-2
General	1-14
Operation	1-25
Maintenance	1-38
Transportation.....	1-53
Environment and Circumstances	1-55
Operating Controls	2-1
Component Locations.....	2-2
Operator's Area.....	2-5
Steering Console and Pedals	2-6
Front Instrument Panel	2-17
Multifunction Gauge and Graphic Information Display.....	2-22
Right Side Switch Panel.....	2-52
Left Side Electric Steering Control Unit (Optional).....	2-69
Various Cabin Locations	2-72
Heater and Air Conditioner Operation.....	2-76
Stereo/CD Player (Optional)	2-82
Seat Adjustment W/Air Suspension (Standard)	2-83
Seat Adjustment W/Air Suspension and Heater	2-86

Seat Belt	2-88
Door Side Latch	2-89
Arm Rest	2-90
Fuse Box/Relay.....	2-91
Wheel Chocks.....	2-94
Operation	3-1
To Operate a New Wheel Loader	3-1
Starting and Stopping Engine	3-2
Emission Control System.....	3-13
Machine Travel	3-18
If Engine Stalls While Traveling	3-21
Working in Water	3-21
Towing	3-22
F/R (Forward/Reverse) Travel Control System.....	3-24
Machine Shut Down.....	3-25
Operation of Attachment.....	3-27
Bucket Angle Indicator	3-27
Adjustment of Bucket Position Switch.....	3-28
Operation Under Abnormal Conditions	3-29
Long Term Storage	3-34
Auto Grease System (Optional)	3-36
Inspection, Maintenance and Adjustment.....	4-1
Maintenance Information	4-1
Machine Setup Position for Maintenance	4-5
Maintenance Handling Access.....	4-7
Handling Oil, Fuel, DEF (AdBlue) Coolant.....	4-10
Electrical System Maintenance.....	4-14
Recommend Fuel, Coolant, and Lubricant	4-15
Preventive Maintenance	4-22
Table of Recommended Lubricants	4-24
Transmission Oil	4-27
Axle Oils.....	4-28

Fluid Capacities	4-29
Lubrication and Service Chart.....	4-30
Maintenance Intervals.....	4-34
10 Hour / Daily Service	4-36
50 Hour / Weekly Service	4-46
250 Hour / Monthly Service.....	4-51
500 Hour / 3 Month Service	4-62
1,000 Hour / 6 Month Service	4-72
1,500 Hour / 9 Month Service	4-87
2,000 Hour / Yearly Service	4-89
12,000 Hour / 6 Year Service.....	4-95
Standard Bolt Torque Chart.....	4-96
Electrical System	4-97
Engine Cooling System.....	4-98
Handling of Accumulator.....	4-101
Hydraulic Pressure Checks.....	4-103
Long Term Storage	4-108
Parking Brake Adjustment	4-109
Severe Conditions Maintenance	4-111
Tires	4-112
Transmission Recalibration.....	4-115
Transportation	5-1
Transporting Machine	5-1
Lifting Machine.....	5-5
Troubleshooting	6-1
Braking.....	6-1
Electrical System	6-2
Engine.....	6-2
Hydraulic System	6-5
Steering.....	6-7
Travel System	6-8

Specification7-1
 General Specifications 7-1
 Working Range and Dimensions 7-2
 Working Capacities 7-4
 Approximate Weight of Workload Materials 7-5

Index8-1

Foreword

This Operation & Maintenance Manual was written to give owner or operator instructions on safe operation and maintenance of DOOSAN equipment. **READ AND UNDERSTAND THIS OPERATION AND MAINTENANCE MANUAL BEFORE OPERATING YOUR DOOSAN EQUIPMENT.** Keep this manual in the cabin so it is always available. If it is lost, order another one from your DOOSAN distributor.

If there are any questions, contact your DOOSAN distributor. This manual may illustrate options and accessories not installed on your equipment.

Any modification made without written authorization or approval from DOOSAN can create a safety hazard.

Always replace parts with genuine DOOSAN parts or DOOSAN authorized replacement parts.

SAFETY MESSAGES

Safety messages and safety decals included in this manual and on the machine provide instructions how to operate, service and maintain the machine. Safety messages and safety decals indicate potential hazards and describe safety precautions required to avoid hazards. Operator and maintenance personnel should read and understand these safety messages and decals before beginning operation or maintenance.

SAFETY ALERT SYMBOL

Be Prepared - Get to Know All Operating and Safety Instructions.

This is a Safety Alert Symbol. Wherever it appears in this manual or on safety decals on the machine, you must be alert to the potential for personal injury or accidents. Always observe safety precautions and follow recommended procedures.

Signal Words

The signal words "DANGER", "WARNING", "CAUTION" are used throughout safety messages and safety decals in this manual or on the machine. They indicate an existence of, and the relative seriousness of, a hazard. All three indicate that a safety risk is involved. Observe the precautions indicated whenever a Safety Alert Symbol is present, no matter which signal word appears next to it.

DANGER

DANGER - This signal word is used on safety messages and safety labels and indicates an imminently hazardous situation which, if not avoided, will result in death or serious injury.

WARNING

WARNING - This signal word is used on safety messages and safety labels and indicates a potentially hazardous situation which, if not avoided, could result in death or serious injury.

CAUTION

CAUTION - This signal word is used on safety messages and safety labels and indicates a potentially hazardous situation which, if not avoided, could result in minor or moderate injury.

Other Signal Words

In addition to safety signal words, the following signal words are used to indicate proper and effective use of machine.

IMPORTANT

This signal word identifies procedures which must be followed to avoid damage to machine.

NOTE: *The word "NOTE" identifies information for effective use.*

AEM SAFETY MANUAL (NORTH AMERICA ONLY)

The AEM Safety Manual delivered with the machine gives general safety information.

The AEM Safety Manual must be read and understood before beginning operation or maintenance and is not intended to replace the Operation & Maintenance Manual delivered with the machine.



FG020060

Figure 1

PRODUCT INFORMATION

Intended Use

The machine is intended to be used under normal conditions for applications described in this manual. If it is used for other purposes, or in potentially hazardous environments, special precautions must be followed and the machine must be equipped for such use. Examples include, but are not limited to: falling object guards, work lights, etc. Do not engage in prohibited uses as described in this manual. Contact your DOOSAN distributor for further information.

Machine Capacity

Do not exceed machine capacity by modifying machine or using unapproved attachments.

Exceeding machine capacity can adversely affect machine performance characteristics such as: stability, system certifications such as brakes and steering, the Roll-over Protective Structure (ROPS) and can result in death or serious injury. Contact your DOOSAN distributor for further information.

Engine and Emission Control System Maintenance

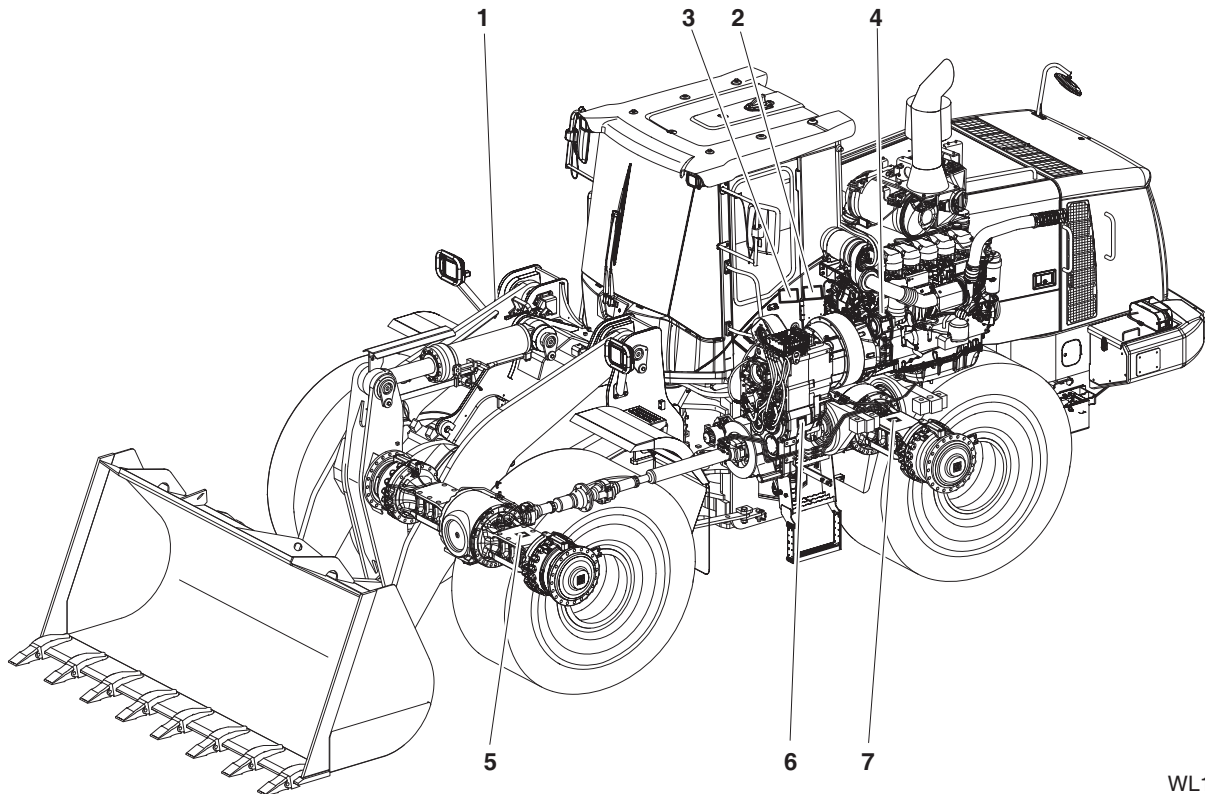
Proper inspection, maintenance and repair is essential to keeping engine and machine systems properly operating. This includes proper inspection and maintenance of the machine's emission control system. This could include machine and engine components, such as an EGR (Exhaust Gas Recirculation) system, fuel system, turbocharger, electrical system, air intake system and/or cooling system.

As a heavy-duty off-road diesel engine owner, you are responsible for performing required maintenance. The required maintenance procedures are outlined in this Operation & Maintenance Manual, or Shop Manual. Do not remove, alter, or render inoperative, any emission control system.

PRODUCT IDENTIFICATION

With the aid of the product plates, shown below, it is possible to identify the machine and its components. The Product Identification Number (PIN) indicates the model designation, engine code and serial number of the machine. The Component Identification Number (CIN) indicates the serial number of the component. Make a note of the identification numbers.

When ordering spare parts, and in all telephone inquiries or correspondence, the PIN and CIN, of the machine, must always be referenced.



WL1300045

Figure 2

Reference Number	Description	
1	Product Plate	The manufacturer's name and address, machine PIN. Operating weight, year of manufacture, year of delivery and position of CE mark (EU/EEA countries only) (stamped into right side).
2	Specification	Label operating weight, overall length, overall width, overall height, ground clearance engine output, tire, turning radius, bucket capacity, dumping reach, dumping clearance (only available for some regions).
3	Cabin	The manufacturer's name and address, cabin part number, machine model designation, operating weight, cabin serial number, ROPS/FOPS standard number.
4	Engine	The engine type designation and number.
5	Front Axle	The manufacturer's name and address and front drive axle CIN.
6	Transmission	The manufacturer's name and address and transmission CIN.
7	Rear Axle	The manufacturer's name and address and rear drive axle CIN.

FEDERAL EMISSION CONTROL SYSTEMS

Emission Control System Warranty Statement

General Warranty Provisions

The emission control systems of your new Scania Engines "Scania" industrial diesel engine were designed, built and tested using genuine parts, and were certified as being in conformity with federal emission control regulations. Scania warrants to the original owner, and to each subsequent owner, of a new Scania industrial diesel engine.

1. Was designed, built and equipped so as to conform at the time of sale with all applicable regulations under Section 213 of the Clean Air Act, 42 U.S.C. section 7547, for their full useful life and designed, built and equipped so as to conform with all applicable regulations adopted by the California Air Resources Board pursuant to its authority under Chapters 1 and 2, Part 5, Division 26 of the California Health and Safety Code, and:
2. Is free from defects in material and workmanship which would cause such engine to fail to conform to applicable regulations for its warranty period or otherwise cause the failure of a warranted part to be identical in all material respects to the part as described in the engine manufacturer's application for certification.

Where a warrantable condition exists, Scania will repair your heavy-duty off-road engine at no cost to you including diagnosis, parts, and labor.

Warranty Period

This warranty shall apply for one of the following periods, whichever occurs first:

- 3,000 hours of operation as determined by a device to measure hours of use, or
- Five years

Each engine is equipped with a device to measure hours of use. If that device fails to account for hours of use because of defects in materials or workmanship, the engine shall be warranted for a period of five years. The warranty period shall begin on the date the engine is delivered to the first ultimate purchaser who, in good faith, purchases the engine for purposes other than imminent resale.

The Warranty on Emission-related Parts Shall be Interpreted as Follows:

1. Any warranted part which is not scheduled for replacement as required maintenance in Scania's written instructions for maintenance and use of the engine by owner shall be warranted for the warranty period defined above. If any such part fails during the period of warranty coverage, it shall be repaired or replaced by the engine manufacturer according to Subsection (4) below. Any such part repaired or replaced under the warranty shall be warranted for the remaining warranty period.
2. Any warranted part which is scheduled only for regular inspection in Scania's written instructions for maintenance and use of the engine by owner shall be warranted for the warranty period defined above. A statement in such written instructions to the effect of "repair or replace as necessary" shall not reduce the period of warranty coverage. Any such part repaired or replaced under warranty shall be warranted for the remaining warranty period.
3. Any warranted part which is scheduled for replacement as required maintenance in Scania's written instructions for maintenance and use of the engine by owner shall be warranted for the period of time before the first scheduled replacement point for that part. If the part fails before the first scheduled replacement, the part shall be repaired or replaced by the engine manufacturer according to Subsection below. Any such part repaired or replaced under warranty shall be warranted for the remainder of the period before the first scheduled replacement point for the part.
4. Repair or replacement of any warranted part under the warranty provisions of this article shall be performed at no charge to the owner at a warranty station.
5. Notwithstanding the provisions of Subsection (4) above, warranty services or repairs shall be provided at all manufacturer distribution centers that are franchised to serve the subject engines.
6. The owner shall not be charged for diagnostic labor that leads to the determination that a warranted part is in fact defective provided that such diagnostic work is performed at a warranty station.
7. The engine manufacturer shall be liable for damages to other engine components proximately caused by a failure under warranty of any warranted part.
8. Throughout the engine's warranty period defined above, the engine manufacturer shall maintain a supply of warranted parts sufficient to meet the expected demand for such parts.
9. Any replacement part, as defined in Section 1900 (b), Title 13 of the California Code of Regulations, may be used in the performance of any maintenance or repairs and must be provided without charge to the owner.

It is not necessary for replacement parts to be the same brand or by the same manufacturer as the original part sold with the engine. Such use shall not reduce the warranty obligations of the engine manufacturer.

10. Add-on or modified parts, as defined in Section 1900 (b), Title 13 of the California Code of Regulations, that are not exempted by the California Air Resources Board may not be used. The use of any nonexempt add-on or modified parts shall be grounds for disallowing a warranty claim made according to this article. The engine manufacturer shall not be liable under this article to warrant failures of warranted parts caused by the use of a nonexempt add-on or modified part.
11. The Executive Officer of the California Air Resources Board may request, and in such case, the engine manufacturer shall provide, any documents which describe that manufacturer's warranty procedures or policies.

Parts Covered by the Warranty

The following is a list of parts considered to be part of the Emission Control Systems covered by the Emission Warranty for Scania industrial engines which were built to conform to federal and California emission control regulations:

1. Fuel injection system
2. Air Induction System:
3. Exhaust manifold system
4. Smoke puff limiter (included in ECU)
5. Oil fill cap
6. EGR system (when applicable):
 - A. Cooler
 - B. EGR valve
7. Exhaust brake (when applicable)
8. NOx sensors:
 - A. NOx sensor, engine out
 - B. NOx sensor, tail pipe
9. DOC (when applicable)
10. SCR System:
 - A. DEF (AdBlue) tank
 - B. DEF (AdBlue) tank level, temperature and quality sensors
 - C. DEF (AdBlue) hose
 - D. DEF (AdBlue) injector
 - E. DEF (AdBlue) injector pressure and temperature sensors

- F. Evaporator
 - G. SCR catalyst inlet temperature sensor
 - H. SCR catalyst including the ammonia-slip catalyst
 - I. SCR control unit (EEC3)
11. Miscellaneous items used in the above systems:
- A. Electronic control unit (ECU), sensors, wiring harnesses.
 - B. Hoses, belts, connectors, assemblies, clamps, fittings tubing, sealing gaskets or devices and mounting hardware.
 - C. Pulleys, belts and idlers.
 - D. Emission control information label

IMPORTANT

This list does not include all expendable maintenance parts.

- **Expendable emission related parts requiring scheduled maintenance are warranted until their first scheduled replacement point.**
- **Emission related parts scheduled for inspection and replacement only as necessary are not considered expendable and if repaired or replaced under warranty shall be warranted for the remaining warranty period.**

See Specific Warranty Exclusions below.

General Warranty Limitations

To retain the dependability of the exhaust emission control originally built into your Scania industrial diesel engine, it is essential that engine is installed according to Scania installation instructions and emission certificates. Your engine is designed to operate on diesel fuel only. Use of any other fuel can result in your engine no longer operating in compliance with state or federal emissions requirements. The use of alternative fuels shall not void the warranties on any engine certified if the fuel is approved for use.

In addition, as the engine owner, you are responsible for the performance of all scheduled maintenance listed in your owner's manual, and all necessary repairs, on your new Scania industrial diesel engine. Scania may deny a warranty claim if the engine or part has failed because of abuse, neglect, improper maintenance or unapproved modifications.

Receipts covering the performance of regular maintenance must be retained in the event questions arise concerning maintenance.

The receipts must be transferred to each subsequent owner of the engine with the emission warranted engine. Scania cannot, however, deny warranty solely for the lack of receipts or for your failure to ensure the performance of all scheduled maintenance.

The Warranty covers the cost of diagnosis, repair and replacement parts and services of warranted components and systems performed by an authorized Scania distributor or dealer using genuine Scania parts. You may elect to have maintenance, replacement or repair of these components and systems performed by any repair establishment or individual without invalidating the Warranty.

The use of other than Scania replacement parts also does not invalidate the warranty on other components unless such parts cause damage to warranted parts. However, the cost of such services or parts will not be covered by the Warranty.

You are responsible for initiating the warranty process. The California Air Resources Board suggests that you present your heavy-duty off-road engine to an authorized Scania dealer as soon as a problem exists. The warranty repairs must be completed by the dealer as expeditiously as possible.



WARNING

AVOID DEATH OR SERIOUS INJURY

Use of replacement parts which are not of equivalent quality may impair the effectiveness of emission control systems. Accordingly, it is recommended that only Scania repair or replacement parts be used for maintenance, repair or replacement of emission control systems.

If other than Scania parts are used for maintenance, repair or replacement, the owner should obtain assurance that such parts are warranted by their manufacturer to be equivalent to genuine Scania parts.

Specific Warranty Exclusions

This warranty does not cover:

1. Malfunctions in any part caused by any of the following: misuse, abuse, improper adjustments, modifications, alteration, tampering, disconnection, improper or inadequate maintenance, or use of fuels not recommended for the engine as described in the Operator's Manual.
2. Engine installation, including cooling system, intake system and exhaust system installation, that is not completed according to the Scania installation instructions and emissions certificate for this engine type.
3. Damage resulting from accidents, acts of nature or other events beyond the control of Scania.

4. The replacement of expendable maintenance items such as filters, hoses, belts, oil, thermostat, exhaust system and coolant made about scheduled maintenance services once these parts have been replaced.
5. Replacement items which are not genuine Scania parts or not authorized by Scania.
6. Inconvenience, loss of use of the engine or commercial loss.
7. Any engine on which the actual use cannot be accurately determined because of a failure of the device to track hours of use unrelated to defects in materials or workmanship.
8. Any engine operating outside the United States.

Customer Support

If you do not receive the warranty service to which you believe you are entitled under the Warranty provisions, or if you need additional support or information concerning the Warranty, contact your DOOSAN or SCANIA engine distributor.

Catalytic Converter



WARNING

AVOID DEATH OR SERIOUS INJURY

The SCR catalytic converter contains vanadium pentoxide, a chemical known to the State of California to cause cancer.

The SCR converter is fitted in the silencer and does not constitute a health hazard during normal use and handling.

When performing work on the SCR catalytic converter which can result in exposure to dust, safety precautions must be taken. Such work includes, for example, opening the silencer machining and scrapping the catalytic converter.

Safety precautions when working on the SCR-system.

- Inhalation: If dust is inhaled, the person must be provided with fresh air immediately. Then seek immediate medical attention.
- Eye contact: Rinse eyes with water immediately. If irritation persists, seek immediate medical attention.
- Skin contact: Wash with water and soap. Remove contaminated clothes.
- Ingestion: If large amounts have been ingested, drink plenty of water and induce vomiting. Then seek immediate medical attention.

Environmental hazards

- Vanadium pentoxide is toxic to water organisms and can cause detrimental long term effects to water environment.

Environmental protection measures

- The SCR catalytic converter is a manufactured article that contains vanadium pentoxide, a hazardous substance. Before disposing of, or scrapping, a used SCR catalytic converter, it must be tested for any hazardous characteristics (ignitability, corrosiveness, reactivity, acute hazardousness, and toxicity), as those categories are described in 22 CCR 66261.30. If the spent SCR catalytic converter exhibits hazardous characteristics and is being disposed of, it will be considered by the State of California to be a hazardous waste subject to Title 22, California Code of Regulations. Before disposing of hazardous waste, review and follow all pertinent federal and California requirements.
- Vanadium pentoxide is a listed commercial chemical product - P120 - pursuant to 22 CCR 66261.33 (e). According to the State of California, commercial chemical products that are discarded or intended to be discarded are hazardous wastes and are subject to all provisions of Title 22, California Code of Regulations. Before disposing of vanadium pentoxide, review and follow all pertinent federal and California requirements.
- If the SCR catalytic converter is opened for maintenance, any dust spillages from the catalyst must be collected and tested for the presence of vanadium pentoxide before proper disposal. Dust spillages should also be tested for any hazardous characteristics (ignitability, corrosiveness, reactivity, acute hazardousness, and toxicity), as those categories are described in 22 CCR 66261.30, before proper disposal. If the dust contains either vanadium pentoxide or exhibits hazardous characteristics and is being disposed of, it will be considered by the State of California to be a hazardous waste subject to Title 22, California Code of Regulations. Before disposing of hazardous waste, review and follow all pertinent federal and California requirements.
- Do not dispose of the used SCR catalytic converter or its constituent parts into any waterways, storm drains or sanitary sewers.

Additional considerations when working on the SCR-system

- Perform work on the SCR catalytic converter in a well ventilated area. Use protective goggles and gloves to protect you from splashing or spraying of reductant or coolant.
- When engine is running, the exhaust system parts can reach such high temperatures there is a risk of personal injury. Make sure that exhaust system temperature has cooled before starting to work.

- The SCR system is heated by water from the engine cooling system. The cooling system runs at high-pressure and when the engine is hot the coolant is hot. Do not open any coolant hoses without first stopping the coolant flow in the hose.
- A P3 type respirator/filter mask or a type FFP3 fine dust mask, protective goggles and gloves must be used for any work where there is a risk of exposure to dust from the SCR catalytic converter.
- Dispose the SCR catalytic converter properly after machining in a disposable container.
- Eating, drinking or smoking while servicing is not permitted.
- Any dust from the SCR catalytic converter must be removed using a vacuum cleaner with microfilter to minimize exposure.
- Make sure that work surface is cleaned after completed work; Vacuum first then swab.
- Make sure you clean your hands after working with SCR catalytic converter to avoid ingestion.
- Work done on the SCR catalytic converter may generate waste considered by the State of California to be a hazardous waste subject to Title 22, California Code of Regulations. Before disposing of hazardous waste, review and follow all applicable federal and California requirements.

California Emission Control Warranty Statement

Your Warranty Rights and Obligations

The California Air Resources Board is pleased to explain the emission control system warranty on your 2011 engine. In California, new heavy-duty off-road engines must be designed, built, and equipped to meet the State's stringent anti-smog standards. Scania CV AB must warrant the emission control system on your engine for the periods of time listed below provided there has been no abuse, neglect or improper maintenance of your engine.

Your emission control system may include parts such as the fuel-injection system and the air induction system. Also included may be hoses, belts, connectors and other emission-related assemblies.

Where a warrantable condition exists, Scania CV AB will repair your heavy-duty off-road engine at no cost to you including diagnosis, parts and labor.

Manufacturer's Warranty Coverage

The 2011 and later heavy-duty off-road engines are warranted for a period of five years or 3,000 hours of operation, whichever occurs first. If any emission-related part on your engine is defective, the part will be repaired or replaced by Scania CV AB.

Owner's Warranty Responsibilities

- As the heavy-duty off-road engine owner, you are responsible for the performance of the required maintenance listed in your owner's manual. Scania CV AB recommends that you retain all receipts covering maintenance on your heavy-duty off-road engine, but Scania CV AB cannot deny warranty solely for the lack of receipts or for your failure to ensure the performance of all scheduled maintenance.
- As the heavy-duty off-road engine owner, you should however be aware that Scania CV AB may deny you warranty coverage if your heavy-duty off-road engine or a part has failed because of abuse, neglect, improper maintenance or unapproved modifications.
- Your engine is designed to operate on Diesel fuel only. Use of any other fuel can result in your engine no longer operating in compliance with California's emissions requirements.
- You are responsible for initiating the warranty process. The ARB suggests that you present your heavy-duty off-road engine to a Scania CV AB dealer as soon as a problem exists. The warranty repairs must be completed by the dealer as expeditiously as possible.
- If you have any questions regarding your warranty rights and responsibilities, you should contact Scania USA, Inc at 1-210-403-0007.

Safety

SAFETY DECALS

Safety decals are attached to the machine to alert the operator or maintenance person about potential hazards, the consequences of potential injury, and instructions and/or actions required to avoid the hazard. The location of the safety decals and the description of the decals are reviewed in the following section. Please become familiarized with all safety decals and their messages.

Make sure that all the safety decals are in their correct location and legible. Clean or replace the safety decals if they are damaged, missing, or the texts and pictorials are not legible. When you clean the safety decals, use a soft cloth, water, and soap. Do not use solvent, gasoline, or other harsh chemicals to clean the safety decals because this could loosen the adhesive that secures the decals to the machine. Remember, if a safety decal is attached to a part that is replaced, install a new safety decal on the replacement part.

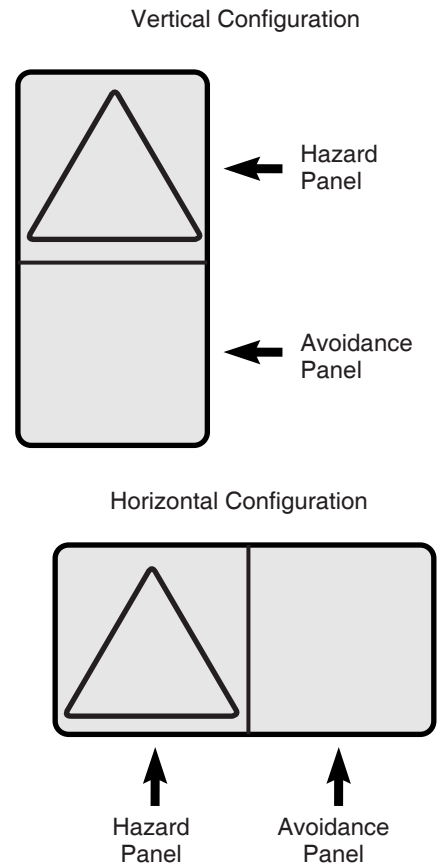
This machine uses safety decals with and without text. The type and number of safety decals can vary depending upon geographical regions and machine models.

Safety Decals With Text

Safety decals with text consist of a signal word, pictorial and a text message panel. In some cases, a pictorial panel may not be part of the safety decal.

Safety Decals Without Text (No-Text)

Safety decals without text consist of a safety sign and safety information panel. The safety sign panel is located at the top or left side and the safety information panel is located at the bottom or right side of the decal depending on its configuration. The safety sign panel uses a black triangular band and a pictorial to identify the hazard and the potential consequences of the failure to follow instructions. The safety information panel uses pictorials and/or prohibition signs to identify the actions necessary to avoid the hazard.



FG018723

Figure 1

Information and Location for Safety Decals

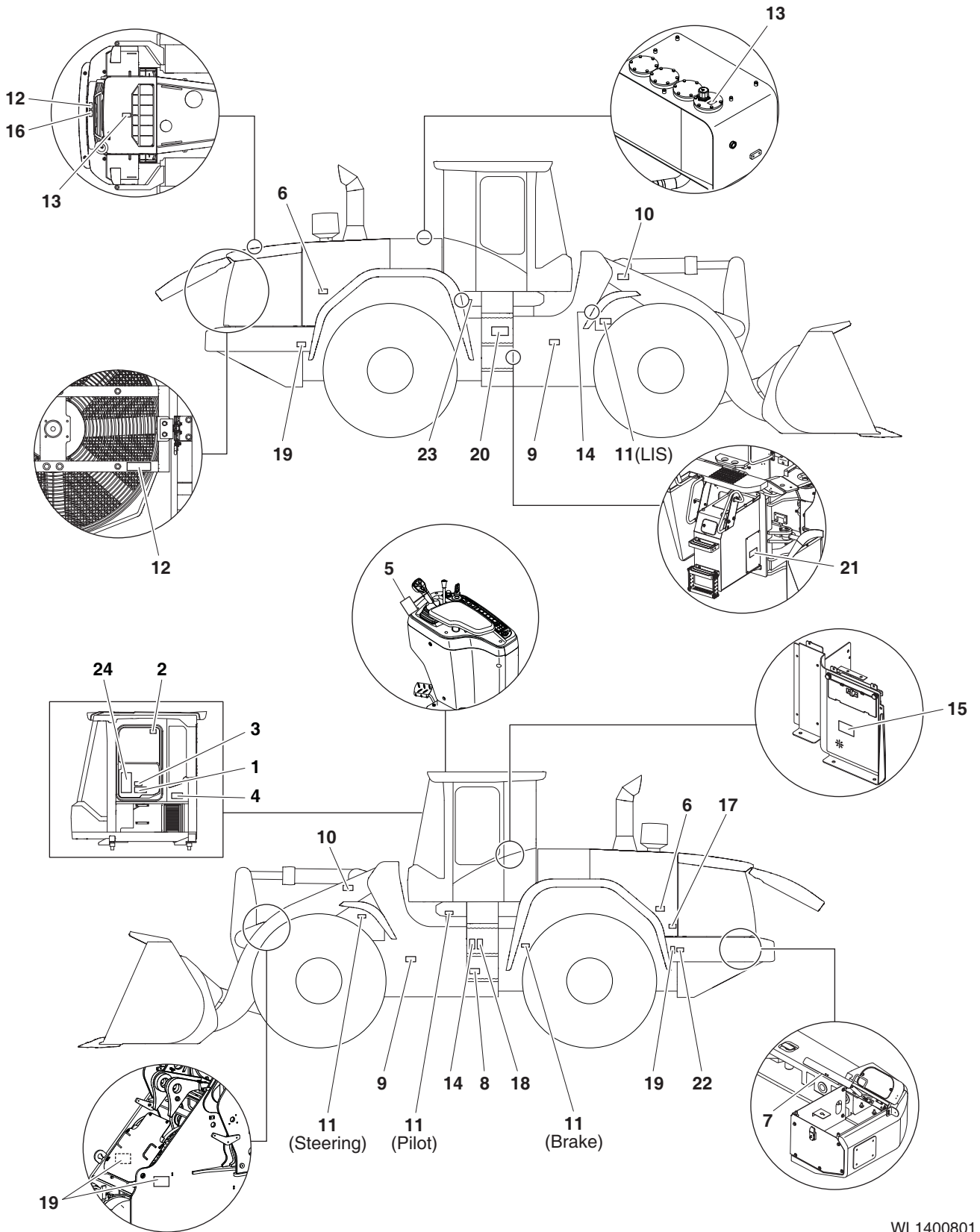
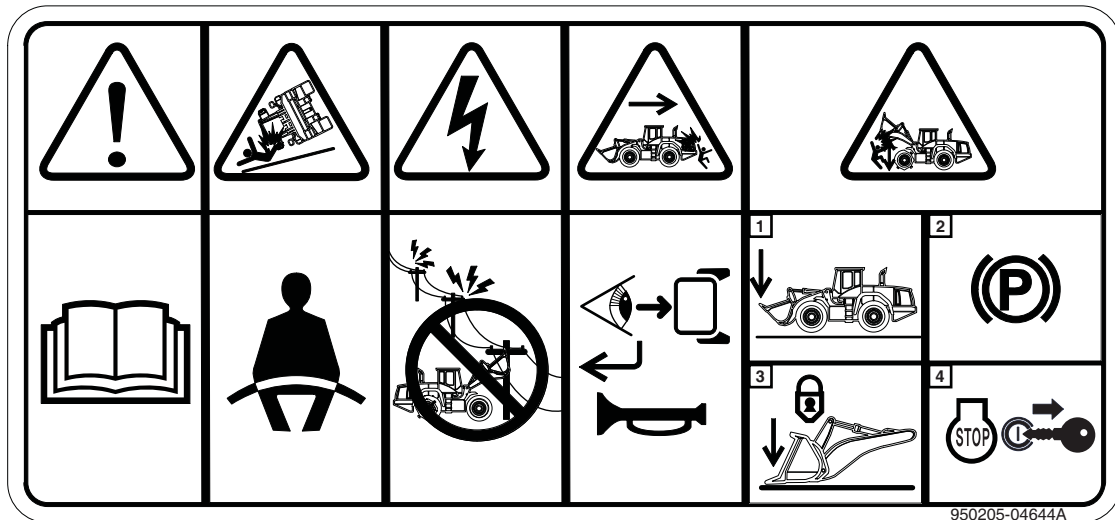


Figure 2

WL1400801

Safety Decal

1. General Hazard (950205-04644A)



WL1400812

WARNING

AVOID DEATH OR SERIOUS INJURY

- Never use wheel loader without instructions.
- Read Operation & Maintenance Manual before operation.
- Always fasten your seat belt.
- Explosion or electrocution can occur if machine contacts utility lines or pipes. Check for overhead or underground lines before operating.
- Keep bystanders out of travel path and always look in the direction of travel.
- Ensure mirrors and rear view camera are clean and working properly.
- Sound the horn to alert bystanders before operating
- Never operate machine from outside the operator's position.
- TO LEAVE THE WHEEL LOADER:
 - 1) Lower the attachment to the ground and make sure all controls are in neutral.
 - 2) Engage the parking brake.
 - 3) Set pilot cutoff switch to OFF position.
 - 4) Stop the engine and remove the key.

2. Emergency Exit (950205-04643)

IMPORTANT

If the primary exit is blocked, use right side window for secondary exit.



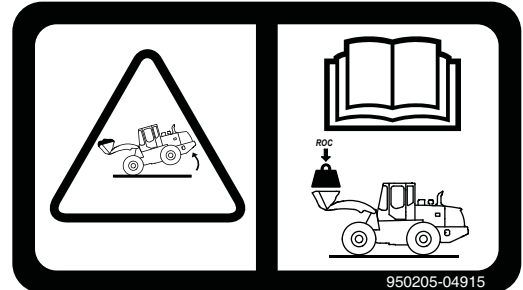
WL1400805

3. Operating Load (950205-04915)

 **WARNING**

AVOID DEATH OR SERIOUS INJURY

- Do not exceed Rated Operating Capacity (ROC).
 - Do not travel or turn with lift arms raised.
 - Load unload and turn on flat level ground.
 - See Operating & Maintenance Manual for more information.
-



WL1400813

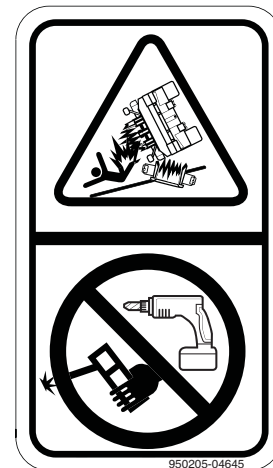
4. ROPS Warning (950205-04645)

 **WARNING**

AVOID DEATH OR SERIOUS INJURY

- Do not weld on or drill holes in the protective structure.
 - Replacing ROPS, if damaged or modified.
-

Refer to See "Roll-over Protective Structure (ROPS)/ Falling Object Protective Structure (FOPS)" on page 2-23 for more information.



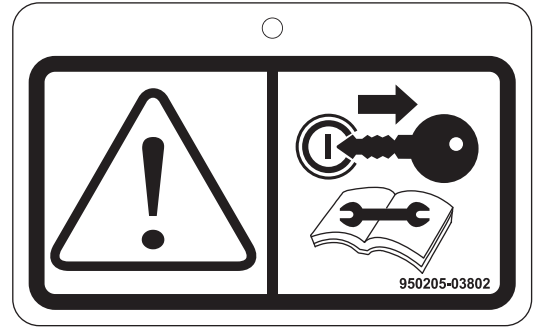
WL1400814

5. Warning Tag - "Do Not Operate" (950205-03802)



AVOID DEATH OR SERIOUS INJURY

- Stop engine and remove the key.
- Attach "DO NOT OPERATE" warning tag to the controls before servicing the machine.
- Do not operate when performing inspection or maintenance.



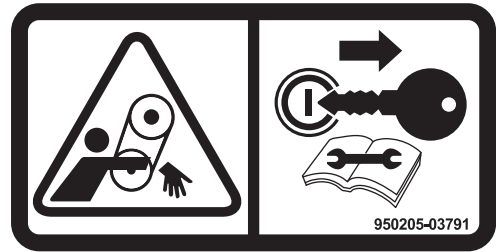
EX1301177

6. Entanglement in Rotating Parts (950205-03791)



ROTATING PARTS CAN CAUSE DEATH OR SERIOUS INJURY

Keep away from belt and rotating parts. Stop engine before servicing.



EX1301181

7. Battery Explosion (950205-03785)



AVOID DEATH OR SERIOUS INJURY

- Read and follow instructions in Operation & Maintenance Manual for battery maintenance.
- Keep arcs, sparks, flames, and lighted tobacco away.
- Do not store metal tools or flammable materials on or around batteries.
- Wear safety goggles and rubber gloves when working with batteries.
- If battery acid contact occurs:
 - 1) Flush your skin with water immediately and apply baking soda or lime to neutralize the acid.
 - 2) Flush your eyes with water for 10 ~ 15 minutes.
 - 3) Get medical attention immediately.



EX1301183

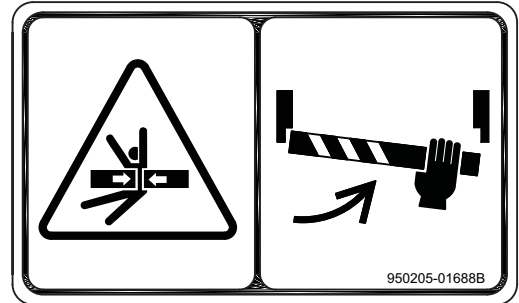
8. Articulated Frame Lock (950205-01688B)



WARNING

AVOID DEATH OR SERIOUS INJURY

- Install articulated frame lock before servicing or transporting.



WL1400806

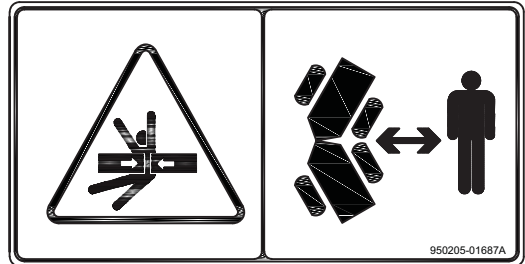
9. Crush Hazard (950205-01687A)



WARNING

CRUSHING HAZARD CAN CAUSE SERIOUS INJURY OR DEATH

- Keep out of this area unless articulated frame lock is installed.
- Install articulated frame lock before servicing or transporting.



WL1400807

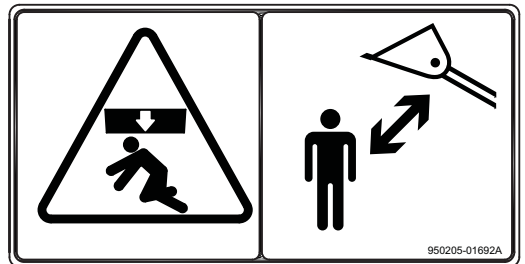
10. Work Equipment (950205-01692A)



WARNING

AVOID DEATH OR SERIOUS INJURY

- Moving a lift arm control or failure of a part can cause lift arm to drop.
- Never reach under or stand under raised lift arm unless the lift arm is properly secured.



WL1400808

11. Pressurized Gas and Fluid (950205-03782)



WARNING

AVOID DEATH OR SERIOUS INJURY

- Heat or impact can cause the accumulator to explode.
- Keep away from flame.
- Do not weld on or drill into accumulator.



EX1301187

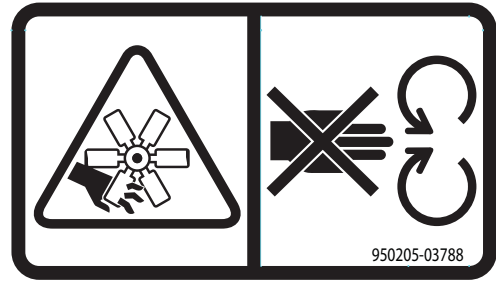
12. Rotating Fan (950205-03788)



WARNING

**CONTACT WITH ROTATING FAN CAN CAUSE
DEATH OR SERIOUS INJURY**

**Keep away from fan and rotating parts. Stop engine
before servicing.**



EX1301182

13. Hot Pressurized Fluid (950205-03781)



WARNING

**HOT PRESSURIZED FLUID CAN CAUSE
SERIOUS BURNS**

- Do not loosen or open cap when hot.
- Before opening:
 - 1) Turn engine off.
 - 2) Allow machine to cool.
 - 3) Tip cap and open slowly to relieve pressure.



EX1301180

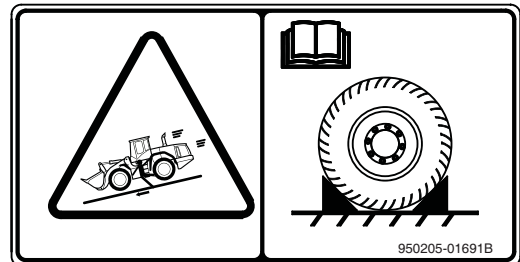
14. Wheel Chock (950205-01691B)



WARNING

**ROLL AWAY CAN CAUSE DEATH OR SERIOUS
INJURY**

- Before disengaging park brake, block wheels to prevent machine movement.



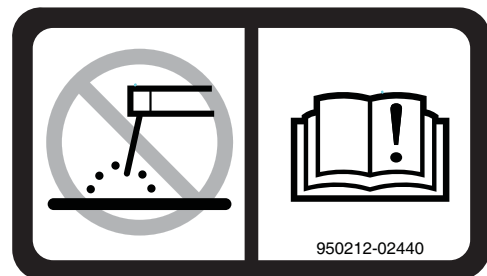
WL1400815

Additional Decal

15. Electric Welding Attention (950212-02440)

IMPORTANT

**Electrical welding on the frame can damage the
engine's electronic control unit (ECU).**



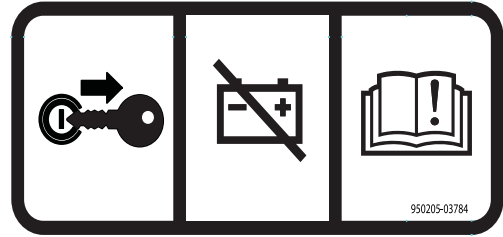
EX1402396

16. Battery Disconnection (950205-03784)

IMPORTANT

AVOID ELECTRICAL COMPONENT DAMAGE

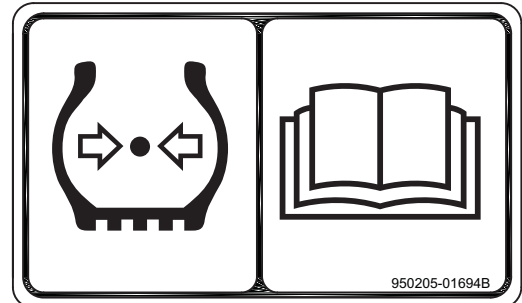
- Disconnecting the battery while the engine is running can cause damage to electrical components.
 - Disconnect battery only when the engine is turned OFF.
-



EX1301184

17. Tire Inflation Pressure (950205-01694B)

See "Recommended Air Pressure" on page 4-114.



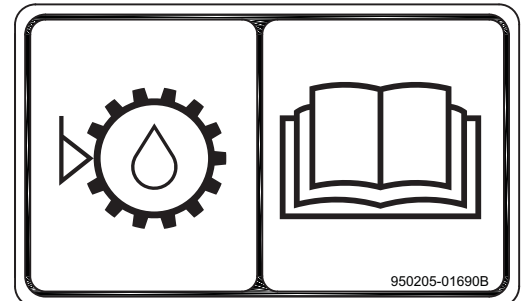
WL1400809

18. Transmission Oil Level (950205-01690B)

IMPORTANT

- Check transmission oil level with parking brake "ON".
 - 1) Warm up the machine for 10 minutes or longer.
 - 2) Place transmission lever in neutral position and engage parking brake.
 - 3) Check the transmission oil level using the dipstick or gauge.
 - 4) If necessary, add transmission oil (Spec. SAE 15W40)

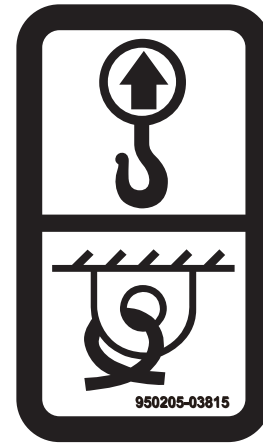
Correct oil level (Oil temp. 80°C (176°F)):
Hot zone (dipstick type)/Red line (gauge type)



WL1400810

19. Lift/Tie down (950205-03815)

Identifies lift point and tie down point location.



EX1301201

20. DEF (AdBlue) (950205-01489A)

IMPORTANT

- Use only the specified diesel exhaust fluid.
 - See the Operation & Maintenance Manual for more information.
-



WL1300370

21. DEF (AdBlue) Filter (950205-02449)

IMPORTANT

See the Operation & Maintenance Manual for information on the DEF filter.

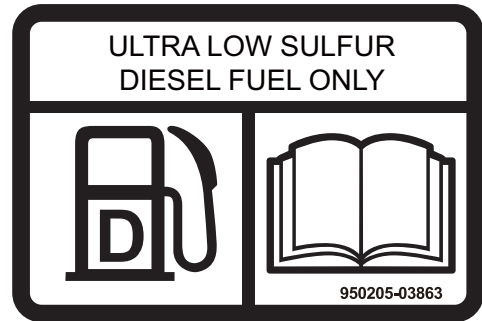


WL1300373

22. Ultra Low Sulfur Diesel Fuel
(950205-03863, 950205-03864)

IMPORTANT

Only use Ultra Low Sulfur Diesel (ULSD) fuel and API CI-4/ACEA E5, E7 or API CJ-4/ACEA E9 grade engine oil with this machine.



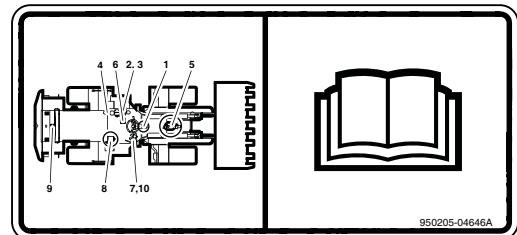
EX1301196



EX1301194

23. Pressure Check (950205-04646A)

No.	Part Name	Remarks
1	Steering Unit	LS
2	Brake Pilot Supply Valve	
3	ACC. Charging Valve	
4	Brake Pilot Filter	
5	Main Control Valve	LS
6	Flow Amplifier	
7	Oil Sampling (HYD)	
8	Main Pump	
9	Fan Motor	
10	T/M Parking	



WL1400816

24. Switch Description (950205-XXXX)

See the "Operating Controls" section of this Operation & Maintenance Manual for more information.

SWITCH DESCRIPTIONS			
LOCATION	SYMBOL	NAME	FUNCTION
STEERING COLUMN		Hazard Lights	Turns ON all turn signals and will flash simultaneously
INSTRUMENT PANEL		Display Screen Control	Up/Down display control
		Display Screen Selector	Select menu item
		Boom Kick-Out (Up or Down)	LED lamp on : Enable boom height Kick-Out LED lamp off : Disable boom height Kick-Out Push the button for (1) second to set boom height position
		Bucket Return to Dig	LED lamp on : Enable bucket return to dig LED lamp off : Disable bucket return to dig Push the button for (1) second to set bucket position
		Transmission Clutch Cut-Off	ICCO(Intelligent Clutch Cut-Off) ON/OFF
		Load Isolation System (LIS)	LIS system ON/OFF
		Torque Converter Lock-up	Torque converter lock-up ON/OFF
		Differential Hydraulic Lock	Differential hydraulic lock auto ON/OFF
		Electric Steering Hi/Lo	Select electric steering speed Left : High speed Right : Normal speed
	RH ROOF		Auto Grease (OPT)
		Quick Clamp (OPT)	Quick Clamp ON/OFF
RH STAND		Parking Brake	Parking brake ON/OFF
		Pilot Cut-Off	Forward : Control valve activated Back : Control valve deactivated
		Lights	Forward : Clearance, tail light, instrument panel, switch lights, and headlights turn "ON" Middle : Clearance, tail light, instrument panel and switch lights turn "ON" (only on 100, 100-1) Back : Clearance, tail light, instrument panel, switch and headlights turn "OFF" Left LED : ECO (Economy) ←→ Standard Right LED : Power (P)
		Engine Mode Selector	Middle LED : Normal (Standard) ←→ Power Right LED : Power (P)
		Transmission Mode Selector	Left LED : Manual Middle LED : 1-4 Auto Right LED : 2-4 Auto
		Front Work Light	Front work light ON/OFF
		Rear Work Light	Left LED : On work lights mounted on the top of radiator Right LED : On work lights mounted on the rear top of cabin and on the top of radiator
		Rear Wiper	Middle LED : ON Washer fluid sprays onto windshield while running the rear wiper, when hold the switch
		Reverse Fan Rotation	Left LED : Fan rotation reverses manually Right LED : Fan rotation reverses automatically
		Mirror Heater	Mirror heater ON/OFF
		Fuel Heater	Fuel heater ON/OFF
		Rotating Beacon	Rotating beacon ON/OFF
		Emergency Steering Test	For emergency steering test: Press and hold switch to test steering operation

See Operation and Maintenance Manual for more information

950205-XXXX

WL1400811

GENERAL

Safe Operation is Operator's Responsibility

Only trained and authorized personnel should operate and maintain the machine.

Follow all safety rules, regulations and instructions when operating or performing maintenance on machine.

- Do not operate machine if you are under the influence of drugs or alcohol. An operator who is taking prescription drugs must get medical advice to determine if he or she can safely operate the machine.
- When working with other personnel on a work site, be sure that all personnel know the nature of work and understand all hand signals that are to be used.
- Be sure that all guards and shields are installed in their proper location. Have guards and shields repaired or replaced immediately if damaged.
- Be sure that you understand the use and maintenance of all safety features such as pilot cutoff switch and seat belt. Use them always.
- Never remove, modify or disable any safety features. Always keep them in good operating condition.
- Always check for and know the location of underground and overhead utility lines before working.
- Failure to use and maintain safety features according to instructions in this manual, Safety Manual and Shop Manual can result in death or serious injury.

Know Your Machine

Know how to operate your machine. Know the purpose of all controls, gauges, signals, indicators and monitor displays. Know the rated load capacity, speed range, braking and steering characteristics, turning radius and operating clearances. Keep in mind that rain, snow, ice, loose gravel, soft ground, slopes, etc., can change operating capabilities of your machine.

Proper Work Tools and Attachments

Only use work tools and attachments that are recommended by DOOSAN for use on DOOSAN machines. When installing and using optional attachments, read instruction manual for attachment, and general information related to attachments in this manual. Because DOOSAN cannot anticipate, identify or test all attachments that owners may want to install on their machines, contact DOOSAN for written authorization and approval of attachments, and their compatibility with optional kits.

Attachments and attachment control systems that are compatible with the machine are required for safe and reliable machine operation. Do not exceed maximum operating weight (machine weight plus attachment) that is listed on ROPS certification plate.

Make sure that all guards and shields are in place on machine and on work tool. Depending on type or combination of work equipment, there is a potential that work equipment could interfere with the cabin or other parts of machine. Before using unfamiliar work equipment, check if there is any potential for interference, and operate with caution.

While you are performing any maintenance, testing, or adjustments to attachments, stay clear of the following areas: cutting edges, pinch points, and crushing surfaces.

Never use attachment as a work platform or manlift.

Contact your DOOSAN distributor about auxiliary hydraulic kits for attachments installation. If you are in doubt about the compatibility of a particular attachment with the machine, consult your DOOSAN distributor.

Pressurized Fluids

Pressurized air or fluids can cause debris and/or fluids to be blown out. This could result in death or serious injury.

Immediately after operation is stopped, coolant, engine oil, and hydraulic oil are at their highest temperatures and the radiator and hydraulic tank are still under pressure. Always wait for temperature to cool down. Follow specified procedures when attempting to remove caps, drain oil or coolant, or replacing filters. Always wait for temperature to cool down, and follow specified procedures when performing these operations. Failure to do so can result in death or serious injury.

When pressurized air and/or pressurized water is used for cleaning, wear protective clothing, protective shoes, and eye protection. Eye protection includes goggles or a protective face shield.

Pressure can be trapped in a hydraulic system and must be relieved before maintenance is started.

Releasing trapped pressure can cause sudden machine movement or attachment movement. Use caution if you disconnect hydraulic lines or fittings.

High-pressure oil that is released can cause a hose to whip or oil to spray. Fluid penetration can result in death or serious injury. If fluid enters skin or eyes, get immediate medical attention from a physician familiar with this injury.

Obey all local laws and regulations for disposal of liquids.

To prevent hot coolant from spraying out, stop engine and wait for coolant to cool. Using gloves, slowly loosen cap to relieve pressure.

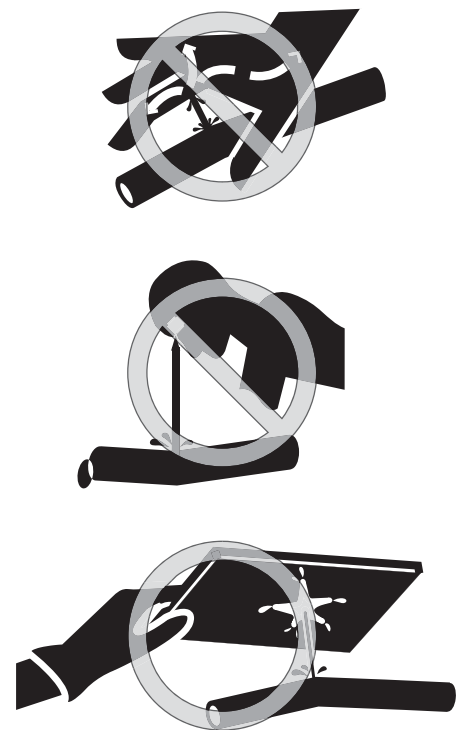


Figure 3

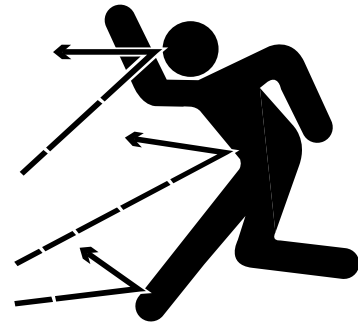
EX1400129

Flying or Falling Objects

On work sites where there is a potential hazard that flying or falling objects can come in contact with operator's cabin, select and use a guard to match operating conditions for additional operator protection.

Working in mines, tunnels, deep pits, and loose or wet surfaces, can produce hazards of falling rocks or flying objects. Additional protection for operator's cabin may be required such as a Falling Object Protective Structure (FOPS) or window guards. Contact your DOOSAN distributor for information on available protective guards.

To prevent personnel from being struck by flying objects, keep personnel out of work area.



HAOA110L

Figure 4



HAOA100L

Figure 5

Personal Protective Equipment (PPE)

Do not wear loose clothing and accessories. Secure long hair. These items can snag on controls or on other parts of equipment.

Do not wear oily clothes. They are highly flammable.

Do not forget that some risks to your health may not be immediately apparent. Exhaust gases and noise pollution may not be visible, but these hazards can cause disabling or permanent injuries. Breathing masks and/or ear protection may be required.

Wear a hard hat, safety shoes, safety goggles, mask, leather gloves, earplugs and other protective equipment, as required.

While working on machine, never use inadequate tools. They could break or slip, or they may not adequately perform intended functions.



HAOA020L

Figure 6

Correction of Machine Problems

If any machine problems are found during operation and maintenance (noise, vibration, smell, incorrect gauges, smoke, oil leakage, etc.), or if any abnormal warning alerts are displayed on display monitor, stop the machine immediately and take the necessary corrective actions. Do not operate the machine until problem has been corrected.

Crushing and Cutting

Keep objects away from moving fan blades. Fan blades can throw and cut objects.

Do not use a wire rope that is kinked or frayed, or a wire rope with any loss of diameter. Wear leather gloves when handling a wire rope.

When striking a loose retainer pin, it can fly out and can cause a serious injury. Make sure that area is clear of personnel when striking a retainer pin. To avoid injury to your eyes, wear safety goggles when striking a retainer pin.

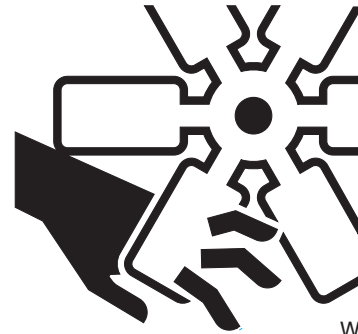
Do not put your hand, arm or any other part of your body between movable parts. If going between movable parts is necessary, always position and secure work equipment so it cannot move. Properly support equipment before performing any work or maintenance under raised equipment.

If control levers are operated, clearance between machine and work equipment will change and this may lead to serious damage or can result in death or serious injury. Stay clear of areas that may have a sudden change in clearance with machine movement or equipment movement. Stay clear of all rotating and moving parts. Unless instructed, never attempt adjustments while machine is moving or while engine is running.

Do not depend on hydraulic cylinders to support raised equipment. Equipment can fall if a control is moved, or if a hydraulic line breaks, is loosened or disconnected.

If it is necessary to remove guards to perform maintenance, always install guards after maintenance is completed.

Always have at least two people working together if the engine must be running during service. One person needs to remain in the operator's seat, ready to work the controls to stop the machine or stop engine, if necessary.



WL1300011

Figure 7

Hot Coolant and Oils - Burn Prevention

Do not touch any part of an operating engine. Immediately after operations are stopped, coolant, engine oil, and hydraulic oil are at their highest temperatures. The radiator and hydraulic tank are still under pressure. Always wait for temperature to cool down. Attempting to remove caps, drain oil or coolant, or replacing filters may lead to serious burns, if done when hot. Relieve all pressure in air system, hydraulic oil system, lubrication system, fuel system, and cooling system, before any lines, fittings or related items are disconnected.



FG019095

Figure 8

To prevent hot oil or coolant from spraying out, stop engine and wait for oil and coolant to cool. Using gloves, slowly loosen cap to relieve pressure.



FG019096

Figure 9

Fire and Explosion Prevention

All fuels, most lubricants and some coolant mixtures are flammable and can cause a fire resulting in death or serious injury, and property damage. Flammable fluids that are leaking or spilled onto hot surfaces or onto electrical components can cause fire.

Inspect for and remove all flammable materials such as spilled fuel and oil, and debris from machine. Do not allow any flammable materials to accumulate on machine.

Always observe the following:

- Add fuel, oil, antifreeze and hydraulic fluid to machine only in a well ventilated area. Machine must be parked with controls, lights and switches turned "OFF". Engine must be "OFF" and any flames, glowing embers, auxiliary heating units or spark causing equipment must be extinguished, or turned "OFF" and kept well clear of machine.
- Dust that is generated from repairing or grinding nonmetallic hoods or nonmetallic fenders can be toxic, flammable and explosive. Repair these components in a well ventilated area away from flames or sparks and wear a dust mask when grinding painted parts.



HDO1015I

Figure 10



FG018458

Figure 11

Maintenance

The machine and some attachments have components that reach high temperatures under normal operating conditions. The primary source of high temperatures are the engine and exhaust system. If damaged or incorrectly maintained, the electrical system can be a source of arcs or sparks.

Flammable debris (leaves, straw, etc.) must be removed regularly. If flammable debris is allowed to accumulate, it can cause a fire hazard. Clean machine often to avoid this accumulation. Flammable debris in an engine compartment is a potential fire hazard.

The operator's area, engine compartment and engine cooling system must be inspected every day and cleaned. This is necessary to prevent fire hazards and overheating.

Operation

Do not use machine where exhaust, arcs, sparks or hot components can contact flammable material, explosive dust or gases.

Do not operate machine near any flame.

Exhaust shields (if equipped) protect hot exhaust components from oil spray or fuel spray in case of a break in a line, hose, or seal. Exhaust shields must be correctly installed and maintained properly.

Electrical

Check all electrical wiring and connections for damage daily.

Keep battery terminals clean and tight. Repair or replace any damaged parts or wires that are loose or frayed. Clean all electrical connections and tighten all electrical connections.

Never check battery charge by placing a metal object across terminal posts. Use a voltmeter or a hydrometer.

Battery gas can explode and can result in death or serious injury. Follow procedures in this manual for connecting battery and for jump-starting. Do not jump-start or charge a frozen or damaged battery. Keep all flames and sparks away from batteries. Do not smoke in battery charging area.

Improper jumper cable connections can cause an explosion that can result in death or serious injury.

Do not charge a frozen battery. This can cause an explosion.

After market radios or other electric operated equipment in cabin must have a fuse in the electrical circuit.

Hydraulic System

Check hydraulic tubes, hoses and fittings for damage, wear or for leaks. Hydraulic lines and hoses must be properly routed and have adequate support and secure clamps. Leaks can cause fires. Never use a flame or bare skin to check for leaks.

Tighten or replace any parts that show leakage.

Check that all hose and tube clamps, guards, and cushions are securely attached. If they are loose, they can vibrate during operation and rub against other parts. This can cause damage to hoses and cause high-pressure oil to spray on hot surfaces, causing a fire and death or serious injury.

Always clean fluid spills. Do not use gasoline or diesel fuel for cleaning parts. Use commercial nonflammable solvents.

Fueling

Use caution when you are refueling a machine.

Fuel is flammable and can catch fire if it is brought close to a flame.

Stop engine and let it cool before adding fuel. Do not smoke while you are refueling a machine. Do not refuel a machine near flames or sparks. Fill fuel tank outdoors.

Keep fuel and other fluid reservoir caps tight and do not start engine until caps have been secured.

Store fuels and lubricants in properly marked containers away from unauthorized personnel. Store oily rags and any flammable materials in protective containers.

Static electricity can produce dangerous sparks at fuel filling nozzle. In very cold, dry weather or other conditions that could produce a static discharge, keep tip of fuel nozzle in constant contact with neck of fuel filling nozzle, to provide a ground and prevent sparks.

Always place plastic fuel containers on the ground before filling.

Never Use Ether Starting Aids

Do not use ether or starting fluids on any engine that has glow plugs, or an electric grid type manifold heater. These starting aids can cause an explosion and result in death or serious injury.

Use procedures in this manual for connecting battery and for jump-starting.



Figure 12

EX1400130



Figure 13

FG018458

Welding and Grinding

Always clean machine and attachment, disconnect battery switch, and disconnect wiring from electronic controllers before welding. Cover rubber hoses, battery and all other flammable parts. Keep a fire extinguisher near machine when welding.

Toxic dust or gas can be produced when grinding or welding painted parts. Grinding or welding painted parts must be done in a well ventilated area. Wear a dust mask when grinding painted parts.

Dust generated from repairing nonmetallic parts such as hoods, fenders or covers can be flammable or explosive.

Repair such components in a well ventilated area away from flames or sparks.

Do not weld on lines or on tanks that contain flammable fluids. Do not flame cut lines or tanks that contain flammable fluid. Clean any such lines or tanks thoroughly with a nonflammable solvent before welding or flame cutting.

If a Fire Occurs

If a fire occurs:

- Do not attempt to move machine or continue operations.
- Turn starter switch to "O" (OFF) position to stop engine.
- Use handrails and steps to get off machine.
- Immediately call for help or fire station.
- When using a fire extinguisher, always aim extinguisher at base of fire.
- If an optional fire extinguishing system is in place, be familiar with its operating procedures.

NOTE: *Depending on job conditions, other procedures could be necessary if a fire occurs.*

Fire Extinguisher and First-Aid Kit (Emergency Medical Kit)

To be prepared in the event of a fire:

- Be sure that fire extinguishers have been provided and read labels to ensure that you know how to use them. It is recommended that an appropriately sized (2.27 kg [5 lb] or larger) multipurpose A/B/C fire extinguisher be mounted in cabin. Check and service fire extinguisher at regular intervals and make sure that all work site crew members are adequately trained in its use.
- Inspect fire extinguisher and service fire extinguisher regularly.
- Follow instructions on extinguisher instruction plate.
- Keep a first aid kit in storage compartment (Figure 15) and keep another kit at work site. Check kit periodically and keep it properly supplied.
- Keep emergency numbers for doctor, ambulance service, hospital and fire department readily available.

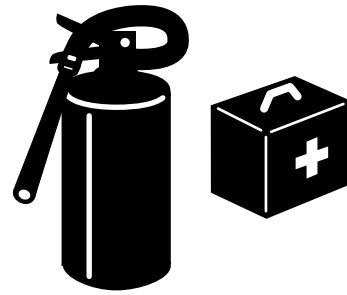


Figure 14

HDO1009L

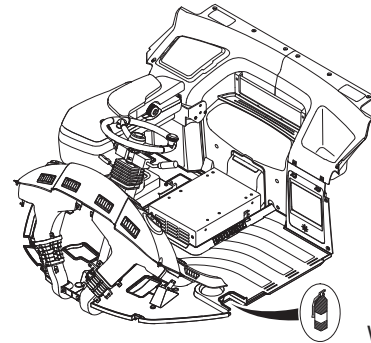


Figure 15

WL1300272

Electrical System and Electrical Shock

Never short across starter terminals or across batteries. Shorting could damage electrical system and engine neutral start system.

When engine is running or immediately after it has stopped, high voltage is generated at injector terminal and inside engine controller, so there is a potential for an electrical shock. Never touch injector terminal or inside of engine controller.

NOTE: *If it is necessary to touch injector terminal or inside engine controller, contact your DOOSAN distributor.*

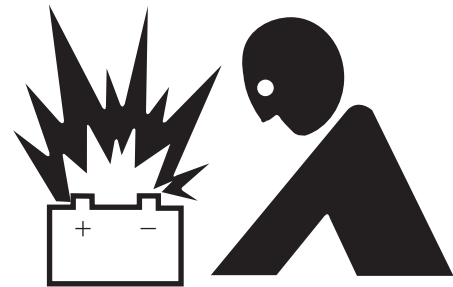


Figure 16

WL1300010

Roll-over Protective Structure (ROPS)/ Falling Object Protective Structure (FOPS)

The operator's cabin is a ROPS/FOPS certified structure for protecting the seat-belted operator. It absorbs the impact energy of a roll-over impact or falling object. Do not allow machine weight (mass) to exceed certified value on certification plate (Figure 17). If weight is exceeded, the operator's protective structure will not be able to fulfill its safety function.

Do not increase machine weight beyond certified value by modifying machine or by installing attachments on machine. If weight limit of protective equipment is exceeded, protective equipment will not be able to protect operator, and this can result in death or serious injury. Always observe the following:

- This machine is equipped with a protective structure. Do not remove protective structure and perform operations without it.
- Never modify the operator's cabin by welding, grinding, drilling holes or adding attachments unless instructed by DOOSAN in writing. Changes to the cabin can cause loss of operator protection from roll-over and falling objects, and result in death or serious injury.
- When protective structure is damaged or deformed by falling objects or by rolling over, its strength will be reduced and it will not be able to adequately protect the operator. Contact your DOOSAN distributor if you have any questions about the ROPS. Never repair a damaged protective (ROPS/FOPS) cabin.
- Always wear your seat belt when operating machine.

ROPS Certification

This DOOSAN machine has an operator's cabin that meets ROPS/FOPS requirements. The seat belt must be worn for rollover protection.

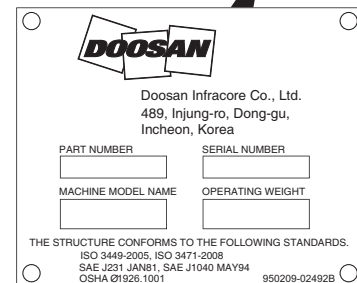
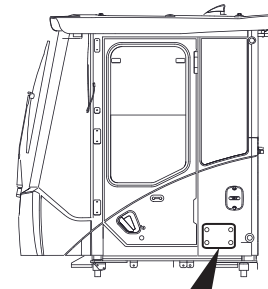
The ROPS/FOPS certification plate (Figure 17) is found on the back of the cabin on most models. It may vary slightly in its location on some models.

Check the operator's cabin, mounting, and hardware for damage.

Never modify the operator's cabin. Replace the cabin and hardware if damaged. See your DOOSAN distributor for parts.

ROPS - Roll-over Protective Structure complies with ISO 3471

FOPS - Falling Object Protective Structure complies with ISO 3449



WL1300163

Figure 17



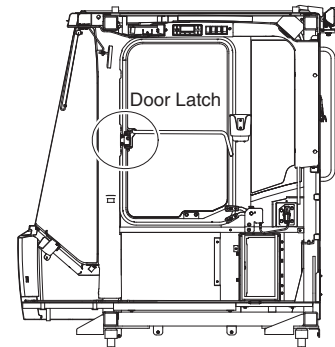
WARNING

AVOID DEATH OR SERIOUS INJURY

Never modify the operator cabin by welding, grinding, drilling holes or adding attachments unless instructed in writing by DOOSAN. Changes to the cabin can cause loss of operator protection from rollover and falling objects, and can result in death or serious injury.

Emergency Exit from Operator's Station

If the primary exit is blocked, the window on the right side may be used as an alternate exit. Open the window and exit the machine through the window.



WL1300270

Figure 18

OPERATION

Always make sure that the machine is properly maintained.

Before Engine Starting

Machine Condition

Every day before starting engine for first time, perform the following checks and repair machine before operating, as necessary. If these checks are not properly done, death or serious injury could result.

- Check coolant, fuel, and hydraulic tank oil levels, and check for clogged air cleaner and damage to electrical wiring.
- Check operation of gauges, cameras (if equipped) and angle of mirrors, and check that pilot cutoff switch is set to "O" (OFF) position.
- Check that pedals move freely, and pilot control lever (s) returns to "NEUTRAL" when released.
- Check that attachment is properly attached and locked.

IMPORTANT

Only use Ultra Low Sulfur Diesel (ULSD) fuel and API CI-4/ACEA E5, E7 or API CJ-4/ACEA E9 grade engine oil.

Make sure that the machine is equipped with a lighting system that is adequate for job conditions and check that lights are working properly.

Before performing checks, move machine to an area where there are no obstructions, and operate slowly. Do not allow personnel near machine.

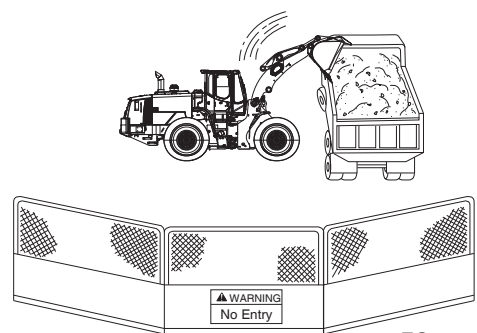
Know maximum operating dimensions of your machine.

Work Site

Before starting operations, thoroughly check work area for any hazards, such as underground utility lines, overhead electrical lines, unstable ground, excessive slopes, etc.

Before starting engine and moving machine, make sure that no one is underneath machine, around machine, or on machine.

Know width and length of your machine and work equipment to maintain proper clearance when you operate machine or work equipment near fences or near boundary obstacles.



FG013735

Figure 19

Know appropriate work site hand signals and personnel that are authorized to give hand signals. Follow hand signals from only one person.

If you need to operate on a street, protect pedestrians and cars by designating a person for work site traffic duty or by erecting fences and posting "No Entry" signs around work site.

Erect barricades or fences, post "No Entry" signs, and take other steps to prevent people from coming close to or entering work site. If people come too close to a moving machine, they may be struck or caught by machine, and this can result in death or serious injury.

Check Tire Pressure and Condition

Maintain tire pressure but do not overinflate. Inspect tires and wheels daily. When inflating tires, follow procedures in Maintenance Section, which include using an extension to avoid standing in front of or over a tire. Do not change a tire unless you understand proper tire maintenance procedures and are using proper equipment.

Refer to "Recommended Air Pressure" on page 4-114.

Mounting/Dismounting

Before getting on or off machine, if there is any oil, grease, or mud on handrails or steps, wipe it off immediately. Always keep these parts clean. Repair any damage and tighten any loose bolts.

Never jump on or off machine. In particular, never get on or off a moving machine. These actions can result in death or serious injury.

When getting on or off machine, always face machine. Maintain a three-point contact (both feet and one hand or one foot and both hands) with handrails and steps to ensure that you support yourself securely.

Never hold onto any control levers when getting on or off machine.

Securely latch door. If you grip handrail inside door when moving on platform outside of door, and door latch is not securely engaged, door may move and cause you to fall resulting in death or serious injury.

Use points marked by arrows in diagram when getting on or off machine.

Do not carry tools or supplies when you mount or dismount the machine.

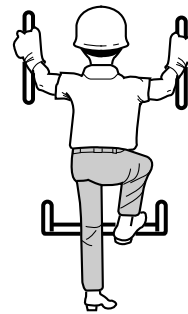


Figure 20

HA3O1003

Cleaning

Remove all straw, wood chips, leaves, grass, paper and other flammable debris accumulated in engine compartment, mufflers and around battery. Remove any dirt from window glass, mirrors, handrails, and steps.

Do not leave tools or spare parts in operator's cabin. Vibration of machine during operation can cause tools or spare parts to fall and damage or break control levers or switches. Tools and spare parts can also get caught in spaces between control levers and cause accidental movement of work equipment causing death or serious injury.

When entering operator's cabin, always remove all mud and oil from your shoes. If you operate travel pedal with mud or oil stuck to your shoes, your foot could slip off the control, or dirt and debris may interfere with proper operation of control levers.

After using ashtray, make sure that any matches or cigarettes are properly extinguished, and be sure to close ashtray.

Clean window glass and working lights for good visibility.

Do not stick suction pads to window glass. Suction pads act as a lens and can cause fire.

Never bring flammable or explosive items into operator's cabin. Do not leave cigarette lighters laying around operator's cabin. If temperature inside operator's cabin becomes too high, there is a potential hazard that lighter could explode.

Secure all loose items such as lunch boxes, and other items that are not a part of the machine itself.

Operator Station

Inspect condition of seat belt and mounting hardware. Replace any parts that are worn or damaged. Do not use a seat belt extension on a retractable seat belt.

Adjust seat so full pedal travel can be achieved with operator's back against back of seat.

Keep all windows and doors closed on machine.

Adjust operator's seat to a position where it is easy to perform operations, and check that there is no damage or excessive wear to seat belt or mounting clamps.

Never reach in through a window to work a control. Do not try to operate the machine unless in operator's seat with the seat belt fastened.

Adjust and clean mirrors so area to rear of machine can be seen clearly from operator's seat.

When standing up from operator's seat, always place pilot cutoff switch in "O" (OFF) position. If you accidentally move work equipment levers when they are not locked, the machine could suddenly move and cause damage, death or serious injury.

Seat Belt

Check seat belt daily for correct function.

Inspect seat belt system more often if machine is exposed to severe environmental conditions or applications. Conduct the following inspections and replace seat belt system as necessary:

1. Check webbing. If system is equipped with a retractor, pull webbing completely out and inspect full length of webbing. Look for cuts, wear, fraying, dirt and stiffness.
2. Check buckle and latch for correct operation.
3. Make sure latch plate is not excessively worn, deformed or buckle is not damaged or casing is broken.
4. Check retractor web storage device (if equipped) by extending webbing and checking that it spools out and retracts correctly.
5. Check webbing in areas exposed to ultraviolet (UV) rays from sun or extreme dust or dirt. If original color of webbing in these areas is extremely faded and/or webbing is packed with dirt, webbing strength may be reduced.

NOTE: *Contact your DOOSAN distributor for seat belt system replacement parts.*



WARNING

AVOID DEATH OR SERIOUS INJURY

Failure to properly inspect and maintain seat belt and seat belt system can cause lack of operator restraint and can result in death or serious injury.

Before fastening seat belt, check that there is no problem in belt mounting bracket. If it is worn or damaged, replace seat belt immediately. Fasten seat belt so it is not twisted.

Always wear seat belt when operating machine.

Visibility Information

A rear view camera (if equipped) and mirrors provide the operator with additional means to see the work area.

NOTE: *These devices may vary from one region to another, depending upon local and regional laws and regulations. If a machine is moved or sold into another region or marketplace, it is the owner's responsibility to make sure it complies with all applicable laws and regulations.*



WARNING

AVOID DEATH OR SERIOUS INJURY

Failure to check for and clear people from the surrounding area of a machine can result in death or serious injury. The operator should make sure that visual aids (mirrors and camera(s)) are in proper working condition.

Your machine may be equipped with visual aids such as mirrors or a rear view camera. Even with these aids, there still may be areas around the machine which cannot be seen from the operator's seat. Always keep bystanders out of the work area. Be careful when operating and always look in direction of travel.

Adjust visual aids for best visibility around machine.

When backing up, press camera button (if equipped) to change display mode on display monitor so you can check rear and side of machine.

Before moving machine, look around work site and use mirrors and display monitor to confirm that no one is in the work area.

While operating or traveling in places with poor visibility it may be impossible to confirm conditions of the work site. Inspect and remove any obstacles around the machine that could be damaged and keep other personnel and bystanders out of the work area.

Inspect equipment and repair immediately if there are problems with visual aids. If machine cannot be fixed immediately, DO NOT use the machine. Contact your DOOSAN distributor and arrange for repairs.

Work Site Rules

- If visibility cannot be sufficiently assured, use a flagman. The operator should pay careful attention to signals and follow instructions from flagman.
- Signals should only be given by one flagman.
- When working in dark places, turn "ON" work lights and front lights on the machine. Set up additional lighting in area.
- Stop operations if there is poor visibility, such as fog, snow, rain, or sandstorms.
- Check mirrors and rear view camera (if equipped) on machine before starting operations. Clean off any dirt and adjust view for good visibility.

When operating or traveling during poor visibility conditions, follow the preceding work site rules.

It may not be possible to adjust the visual aids to see all the way around the machine. Therefore, additional precautions such as flagman, barricades, etc., must be taken to keep personnel and bystanders out of the work area.

Boost Starting or Charging Engine Batteries

Follow these instructions to prevent an explosion or fire when connecting booster cables to batteries:

- Turn "OFF" all electric equipment before connecting leads to battery. This includes electric switches on battery charger or battery booster equipment.
- When boost starting from another machine or vehicle, do not allow two machines to touch. Wear safety goggles and gloves while battery connections are made.
- 24 volt battery units consisting of two series connected 12 volt batteries have a cable connecting one positive (+) terminal on one of the 12 volt batteries to a negative (-) terminal on the other battery. Booster or charger cable connections must be made between the nonseries connected positive (+) terminals and between the negative (-) terminal of the booster battery and metal frame of the machine being boosted or charged. The final booster cable connection, at metal frame of the machine being charged or boost started, must be as far away from the batteries as possible.
- Connect positive (+) cable first when installing cables and disconnect negative (-) cable first when removing them.

Starting Engine

Only operate the machine from the operator's seat with your seat belt fastened.

Only operate controls while engine is running.

Check for proper operation of all controls and all protective devices while you operate the machine slowly in an open area.

- Check operation of work equipment and travel system.
- Check for any problems with machine. Check for: unusual sounds, vibration, heat, odor, or improper readings from gauges. Check for any oil or fuel leaks.
- If any problem is found, stop operation and perform repairs immediately.

Do not use cellular telephones inside operator's cabin when driving or operating the machine.

When operating the machine, do not extend your hands or head out of window.

Do not attempt to start engine by short-circuiting engine starting circuit. This can result in death or serious injury, or fire.

When starting engine, sound horn as a warning to alert personnel in the work area.

If there is a warning tag or "DO NOT OPERATE" tag hanging from pilot control lever (joystick), do not start engine or move lever.

Prevent personnel and all bystanders from walking or standing under raised boom, unless it is properly supported.

Traveling

When traveling with the machine, always keep lights on; make sure that you are in compliance with all federal, state and local laws and regulations concerning warning flags and signs.

If engine stops while machine is traveling and the machine is not equipped with an emergency steering system, it will be impossible to operate the steering system and control machine movement.

Pilot control valve lever (joystick) should not be operated while traveling.

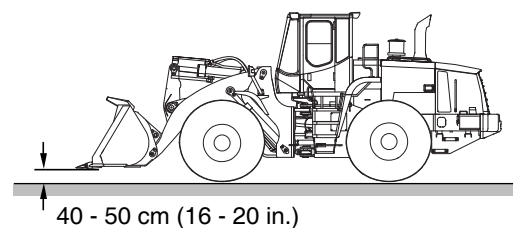
Lower work equipment so it is 400 mm (16 in) above ground.

Never travel over obstacles or steep slopes that will cause machine to tilt severely. Travel around any slope or obstacle that causes 10° tilt, or more.

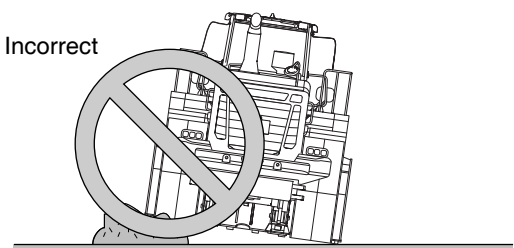
Do not operate steering suddenly. Work equipment can hit ground and this can damage machine or structures in area.

When traveling on rough ground, travel at low speed, and avoid sudden changes in direction.

Travel Position



Incorrect



FG019362

Figure 21

Keep to permissible water depth. See “Working in Water” on page 3-21 in this manual.

When traveling over bridges or structures check first that bridge or structure can withstand weight of machine. Never exceed the maximum permitted load for bridges or structures.

It is important to keep in mind that the machine, in comparison with the rest of traffic, is a slow moving and wide vehicle which can cause traffic delays. Pay attention to traffic behind you and allow traffic to pass you.

Before operating the machine or work equipment, always observe the following precautions to prevent death or serious injury.

- When changing travel direction from forward to reverse or from reverse to forward, reduce speed and stop machine before changing travel direction.
- Sound horn to alert people in area.
- Check that there is no one in area around machine. There are restricted visibility areas behind machine.
- When operating in areas with poor visibility, designate a flagman to direct work site traffic.
- Keep unauthorized personnel away from turning radius or travel path of the machine.

Be sure to observe these precautions even if a backup alarm or mirrors are installed.

- Check that backup alarm works properly and that mirrors are clean, not damaged and properly adjusted.
- Always latch door and windows of operator's cabin in position (open or closed).
- On work sites where there is a hazard of flying or falling objects, or of objects entering operator's cabin, check that door and windows are securely closed. Install additional guards, if work site application requires them.

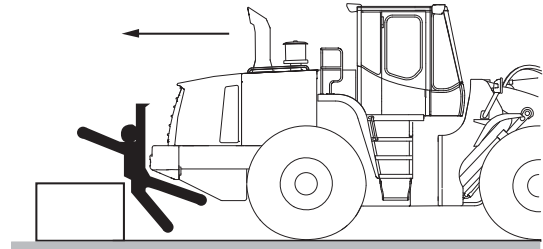
Never turn starter switch to "O" (OFF) position when traveling. This can cause a loss of steering control.

Do not operate attachments while traveling.

Never travel over obstacles or excessive slopes that will cause machine to tilt severely. Avoid any slope or obstacle that can cause machine to tilt 10° or more to right or left, or 30° or more from front to rear.

Know permitted ground pressure. Ground pressure of the machine may change depending on attachment and load.

Keep height and length of attachment in mind.



WL1400120

Figure 22

Lifting and Digging

The operator is responsible for any load carried when traveling on public roads and while working with the machine.

- Keep loads secure so they do not fall off while operating.
- Do not exceed maximum load for the machine. Machine operation will be affected when center of gravity changes, caused by extended loads and different attachments.

To lift loads safely, the following must be evaluated by the operator and work site crew:

- Condition of ground support.
- Machine configuration and attachments.
- Weight, lifting height and lifting radius.
- Safe rigging of load.
- Proper handling of suspended load.
- Always watch load.
- Do not suddenly lower or stop work equipment.
- Do not move bucket over head of personnel or bystanders, over the operator's seat of dump trucks or other hauling equipment. The load may spill or bucket can come in contact with the dump truck or equipment causing property damage, death or serious injury.

Digging Beneath Overhangs

Do not dig beneath an overhang. The overhang could collapse on top of operator and cause death or serious injury.

Reposition the machine to another digging area before steep overhangs are formed. Know height and reach limits of the machine and plan while working. Park the machine away from overhangs before stopping work.

Digging Beneath Wheel Loader

Never dig beneath the machine. The earth beneath the machine could collapse. This could cause wheel loader to tip or rollover, which could cause death or serious injury to operator. Working around deep pits, trenching or along high walls may require support blocks, especially after heavy rains or during spring thaws.

Operation on Slopes

Dig evenly around work site whenever possible, trying to gradually level any existing slope. If it is not possible to level area or avoid working on a slope, it is recommended that you reduce size and cycling rate of workload.

On sloping surfaces, use caution when positioning the machine before starting a work cycle. Always fasten your seat belt. Stay alert for unstable situations and avoid getting into them. For example, you should always avoid positioning the bucket over downhill side of machine when parked perpendicular to slope. Avoid full extensions of bucket in a downhill direction. Lifting bucket too high, or too close to the machine, while the machine is turned uphill can also be hazardous.

When possible, operate machine up slopes and down slopes. Keep the heavy end of the machine uphill. Avoid operating machine across slope.

On hills, banks or slopes, position bucket approximately 400 mm (16 in) above ground. In case of an emergency, quickly lower bucket or work tool to ground to help stop machine.

Do not travel on grass, fallen leaves, or wet steel plates. Even slight slopes can cause machine to slide down a slope. Travel at low speed and make sure that the machine is always traveling directly up or directly down the slope.

Do not change travel direction on a slope. This could result in tipping or sliding sideways of machine.

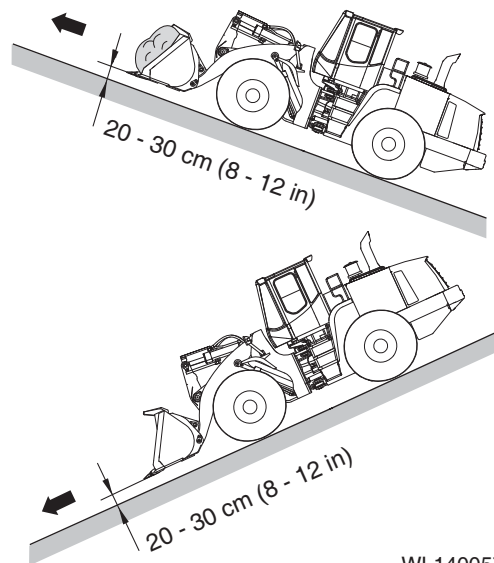
Improper operation when working on slopes can cause a tip over. Use caution when operating work equipment on slopes.

If the machine begins to slide down on a grade, immediately dump load and turn the machine downhill.

Be careful to avoid any ground condition which could cause the machine to tip. Tipping can occur when you work on hills, on banks, or on slopes. Tipping can also occur when you cross ditches, ridges, or travel over unexpected obstructions.

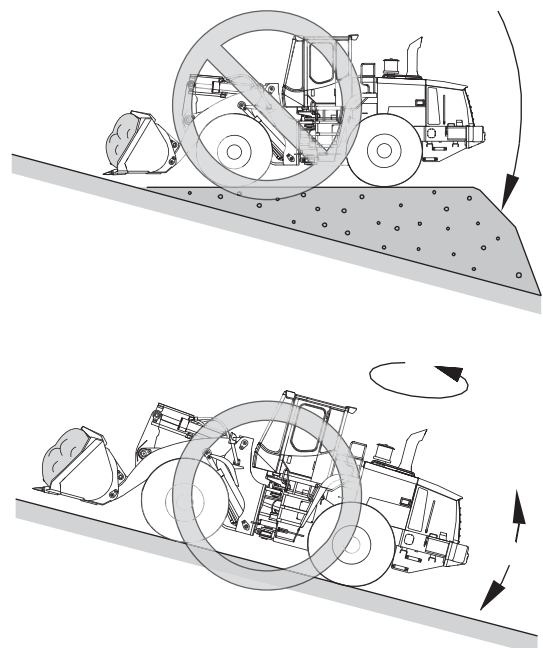
Keep the machine under control. Do not overload the machine beyond capacity.

- Do not turn on slopes or travel across slopes. Always go down to a flat place to change position of the machine, then travel backup the slope again.



WL1400570

Figure 23



WL1400121

Figure 24

Attachment

Never let any one ride on any work attachment, such as bucket, forks or grapple. This creates a falling and/or crushing hazard, and can result in death or serious injury.

- When using a fork or grapple, do not attempt to pick up an object with its tips. This could damage the machine or cause personal injury, if picked-up object falls off attachment.
- Do not use impact force of work equipment for demolition work. This could damage work equipment, cause broken materials to fly off or tipping. This could result in death or serious injury.



Figure 25

EX1400

Equipment Lowering with Engine Stopped

Before lowering any equipment with the engine stopped, clear the area around the equipment of all personnel and bystanders. The procedure to use will vary with the type of equipment to be lowered. Keep in mind most systems use high-pressure fluid or air to raise or lower equipment. The procedure will cause high-pressure air, or hydraulic pressure, or some other media to be released to lower the equipment.

Wear appropriate personal protective equipment and follow the established procedures.

Preventing Risk of Injuries or Death From Boom and Bucket



AVOID DEATH

When operating machine or making repairs, never allow bystanders in work area or repair area. Operation and service personnel must be careful when working around machine, especially around boom and bucket and articulation joint.

An unexpected fall of front structure can cause death or serious injury.

1. While operating a machine, do not let people enter the work area. A sudden collapse of front structure caused from a hydraulic hose failure can result in death or serious injury.

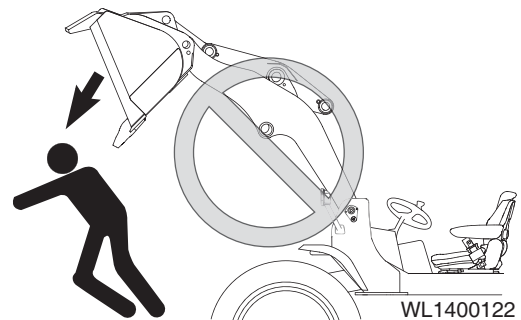
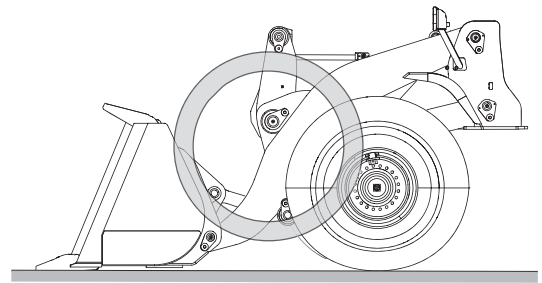


Figure 26

WL1400122

2. When stopping or parking machine, lower front structure to ground. If this is not done, sudden collapse of front structure caused from a hydraulic hose failure can result in death or serious injury.



WL1400123

Figure 27

3. When repairing or inspecting machine, with front structure raised in air, firmly support front structure. When installing supporting structure, check that it is rated and approved to support the weight of the structure.

High-pressure loads between lift arm structure and support can cause support to slip, causing boom to collapse, leading to death or serious injury. Always install the supporting structure on firm and level ground.

A supporting structure must be used, when disconnecting front hoses or removing any other mechanical component related to front structure. High-pressure oil can be ejected from front hydraulic cylinder that can cause the lift arm to suddenly lower or attachment movement resulting in death or serious injury.

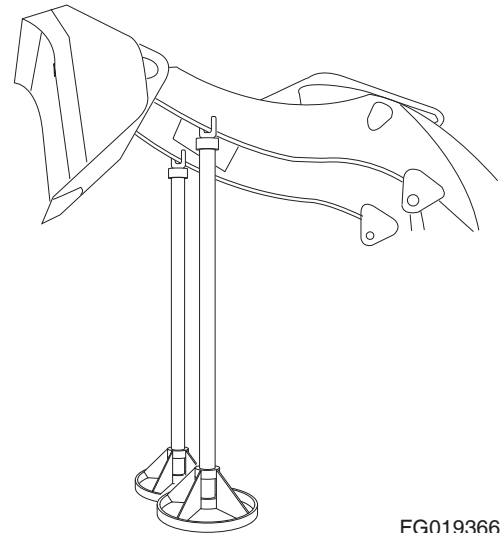


WARNING

AVOID DEATH OR SERIOUS INJURY

Pressurized oil has enough force to pierce skin and cause death or serious injury.

If fluid enters skin or eyes, get immediate medical attention from a physician familiar with this injury.



FG019366

Figure 28

Engine Stop

Turn engine starter switch to "O" (OFF) position and remove engine starter switch key.

Before lowering any equipment with engine stopped, clear area around equipment of all personnel and bystanders. This procedure will cause high-pressure air or hydraulic pressure to be released to lower equipment.

Do not stop engine immediately after the machine has been operated under load. This can cause overheating and accelerated wear of engine components.

After the machine is parked, allow engine to run for at least five (5) minutes before stopping the engine. This allows hot areas of engine to begin to cool gradually.

- Do not leave operator's seat when there is a raised load.

Parking Machine

Park machine on firm and level ground away from traffic and away from high walls, drop-offs and any area of potential water accumulation or runoff. If parking on an incline is unavoidable, block wheels to prevent movement. Lower bucket or other working attachment completely to ground, or to a support saddle, to prevent unintended or accidental movement.

When parking on public roads, provide fences barricades, signs, flags, or lights, and put up any other necessary signs to ensure that passing traffic can see machine clearly. Park the machine so the machine, flags, signs and fences do not obstruct traffic.

After front attachment has been lowered to an overnight storage position and all switches and operating controls are in "OFF" position and place the pilot cutoff switch to "O" (OFF) position. This will disable all pilot control functions.

Always close door of operator's cabin and lock all equipment to prevent any unauthorized person from operating the machine.

The hydraulic system remains pressurized, provided that accumulator, is charged even when engine is not running. Accumulator pressure should decrease in a short time (approximately one minute). While hydraulic system maintains a charge, hydraulic work tools and machine controls remain functional.

Machine movement will occur if any controls are moved. This can result in death or serious injury.

Always move hydraulic lockout control to "LOCK" position before stopping the engine or immediately after engine stops running.

MAINTENANCE

Improper operation and maintenance can result in death or serious injury. Read manual and safety decals before operating or maintaining the machine. Follow all instructions and safety messages.



WARNING

AVOID DEATH OR SERIOUS INJURY

Follow instructions before operating or servicing machine. Read and understand the Operation & Maintenance Manual and signs (decals) on machine. Follow warnings and instructions in the manuals when making repairs, adjustments or servicing. Check for correct function after adjustments, repairs or service. Untrained operators and failure to follow instructions can result in death or serious injury.

- Never service DOOSAN equipment without instructions.
- Always lower lift arm and attachment to ground before doing any maintenance.
- Use correct procedure to lift and support machine.
- Cleaning and maintenance are required daily.
- Welding or grinding painted parts must be done in well ventilated areas.
- Wear a dust mask when grinding painted parts. Toxic dust and gas can be produced.
- Vent exhaust to outside when engine must be running for service.
- Exhaust system must be tightly sealed. Exhaust fumes are hazardous and can cause death or serious injury.
- Stop and allow engine to cool and clean engine of flammable materials before checking fluids.
- Never service or adjust machine with engine running unless instructed to do so in this manual.
- Avoid contact with leaking hydraulic fluid or diesel fuel under pressure. It can penetrate skin or eyes.
- Never fill fuel tank while engine running, while smoking, or when near an open flame or sparks.
- Keep body, jewelry and clothing away from moving parts, electrical components, hot parts and exhaust.
- Wear eye protection to guard from battery acid, compressed springs, fluids under pressure and flying debris when engine is running or tools are used. Use eye protection approved for welding.

- Lead-acid batteries produce flammable and explosive gases.
- Keep arcs, sparks, flames and lighted tobacco away from batteries.
- Batteries contain acid which burns eyes or skin on contact.
- Wear protective clothing. If acid contacts body, flush well with water. For eye contact, flush well and get immediate medical attention from a physician familiar with this injury.
- The maintenance procedures which are given in this manual can be performed by the owner or operator without any specific technical training. Maintenance procedures which are not in this manual must be performed **ONLY BY QUALIFIED SERVICE PERSONNEL**. Always use genuine DOOSAN replacement parts.
- Only authorized personnel should service and repair the machine. Do not allow unauthorized personnel access to the machine or into work area.
- Lower work equipment and stop engine before performing maintenance.
- Park machine on firm and level ground.
- Turn starter switch to "ON" position and set pilot cutoff switch to "I" (ON) position. Cycle work levers (joysticks) back and forth, left and right at full stroke 2 to 3 times to eliminate remaining internal pressure in hydraulic circuit.
- Check that battery relay is "OFF" and main power is shut off. (Wait for approximately one minute after turning "OFF" engine starter switch key and press horn button. If horn does not sound, the main power is shut off.)
- Put blocks against tire to prevent the machine from moving.
- To prevent injury, do not perform maintenance with engine running. If maintenance must be done with engine running, perform maintenance with at least two workers and do the following:
 - One worker must always sit in the operator's seat and be ready to stop engine at any time. All workers must maintain contact with other workers.
 - When maintenance operations are near fan, fan belt, or other rotating parts, there is a potential hazard of being caught in rotating parts. Keep hands and tools away.
- Never drop or insert tools or other objects into rotating fan or fan belt. Parts can break off and hit someone.
- Do not touch any control levers or control pedals. If any control levers or control pedals must be operated, always give a signal to other workers and instruct them to move away.

- When performing maintenance of engine that causes exposure to engine noise for long periods of time, wear hearing protection while working.
- If noise from the machine is too loud, it can cause temporary or permanent hearing loss and/or other problems.
- Do not smoke when you service an air conditioner or if refrigerant gas is present.
- Inhaling fumes either from a flame or gas from a cigarette that has contacted air conditioner refrigerant can cause death or serious injury.
- Never put maintenance fluids into glass containers. Drain all liquids into a suitable containers.
- Unless instructed otherwise, perform maintenance with equipment in servicing position. Refer to this manual for the proper procedure for placing equipment in servicing position.

Warning Tag

Alert others that service or maintenance is being performed by attaching a "DO NOT OPERATE" warning tag to the operator's cabin controls – and other machine areas, if required. Use of the pilot cutoff switch in the "O" (OFF) position, complies with the Occupational Safety and Health Administration's (OSHA) lockout requirements.

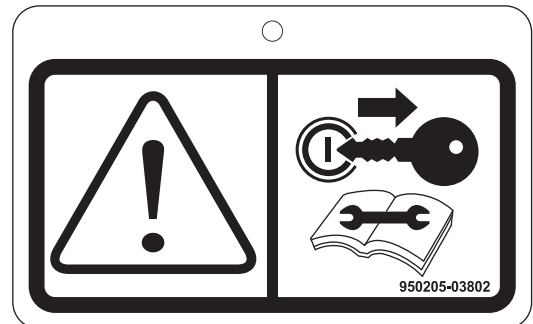
"DO NOT OPERATE" warning tags, are available from your DOOSAN distributor.

- Always attach "DO NOT OPERATE" warning tag to work equipment control lever in the operator's cabin to alert others that service or maintenance is being performed on the machine. Attach additional warning tags on the machine, if necessary.

Keep warning tags in tool box while they are not being used. If there is not tool box, store them in the owner manual storage pocket.

- If another person starts engine, and operates control levers or control pedals while you are performing service or maintenance, it can result in death or serious injury.

Attach a "DO NOT OPERATE" warning tag to starter switch or to controls before servicing or repairing equipment. Warning tags (Special Instruction, SEHS7332) are available from your DOOSAN distributor.



EX1301177

Figure 29

Cleaning

Clean machine before performing inspection and maintenance.

If inspection and/or maintenance are done when machine is dirty, it will become more difficult to locate problems, and this increases the risk of serious injury from slipping on steps and/or the work platform areas.

When washing machine, do the following:

- Wear shoes with nonslip soles to prevent slipping and falling.
- Wear safety goggles and protective clothing when washing machine with high-pressure steam or water.
- Do not spray water directly on electrical components (sensors and connectors). If water gets into electrical system, it can cause operation problems.
- Pick up any tools or hammers that are laying in workplace. Wipe up any grease or oil to prevent slippery surfaces, that can cause tripping or slipping.
- When cleaning cabin top window which is made of polycarbonate material, use tap water. Avoid use of organic solvents for cleaning, such as benzene, toluene or methanol. These solvents can cause a chemical reaction that will dissolve and damage the window.

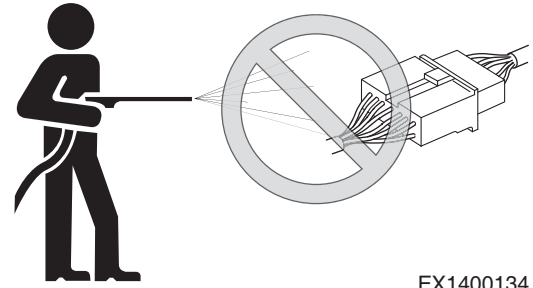


Figure 30

EX1400134

Proper Tools and Clothing

Only use tools that are intended for the type of service to be done. Metal pieces from low quality or damaged tools, such as chisels or hammers, can break off and cause death or serious injury.

Disassembling Precautions

When using a hammer to remove pins, pins can fly out or metal particles may break off. Always do the following:

- Hitting hard metal pins, bucket teeth, cutting edges or bearings with a hammer, can cause metal pieces to break or fly off resulting in serious injury. Always wear safety goggles and leather gloves. Keep personnel and bystanders away.

Use of Lighting

When checking fuel, oil, battery electrolyte, window washer fluid, or coolant, always use proper lighting equipment to prevent arcs or sparks that could cause a fire or explosion resulting in death or serious injury.



HDO1040L

Figure 31

Fire and Explosion Prevention

Fuels, most lubricants and some coolant mixtures are flammable. Flammable fluids that are leaking or spilled onto hot surfaces or onto electrical components can cause a fire resulting in property damage or death or serious injury.

Store all fuels and all lubricants in properly marked and approved containers and keep away from all unauthorized personnel.

Store oily rags and other flammable material in a protective container.

Tighten all fuel and oil caps.

Do not smoke while you refuel machine or while you are in a refueling area.

Do not smoke in battery charging areas or in areas that contain flammable material.

Clean all electrical connections and tighten all electrical connections. Check electrical wires daily for wires that are loose or frayed. Tighten all loose, and repair or replace all frayed, electrical wires before operating machine.

Remove all flammable materials and debris from the engine compartment, exhaust system components and hydraulic lines.



FG018458

Figure 32

Burn Prevention

When checking radiator coolant level, stop engine, let engine and radiator cool down, then check coolant recovery tank. If coolant level in coolant recovery tank is near upper limit, there is enough coolant in radiator.

Using gloves, loosen radiator cap slowly to release internal pressure before removing radiator cap.

If coolant level in coolant recovery tank is below lower limit, add coolant.

Cooling system conditioner contains alkali which can cause personal injury. Do not allow alkali to contact skin, eyes, or other body parts.

Allow cooling system components to cool before draining cooling system.

Hot oil and hot components can cause personal injury. Do not allow hot oil or hot components to contact skin, eyes or other body parts.

Vent hydraulic tank only after engine has been stopped and hydraulic tank is cool. Using gloves, slowly tilt hydraulic tank air breather to relieve pressure.

Relieve all pressure in hydraulic oil system, in fuel system, or in cooling system before disconnecting any lines, hoses, fittings, or related components.

Batteries give off flammable fumes that can explode and start a fire.

Do not smoke while you are checking battery electrolyte level.

Electrolyte is an acid. Electrolyte can cause personal injury. Do not allow electrolyte to contact skin, eyes or other body parts.

Always wear safety goggles and face protection when working with batteries.

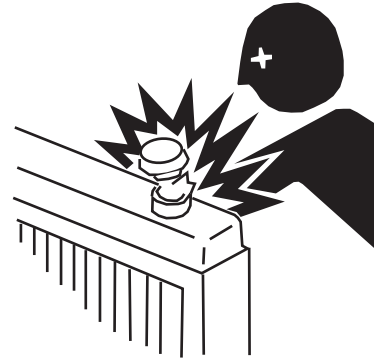
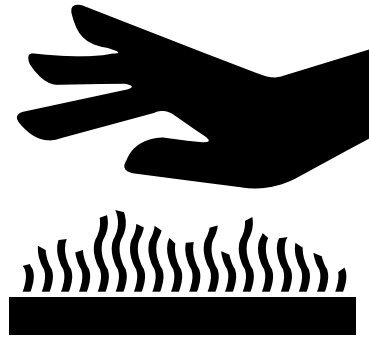


Figure 33

HAAE1980

Rubber That Contains Fluorides

Observe extra great care when it is suspected that you may have to handle rubber that contains fluorides.

Certain seals which have to withstand high operating temperatures (e.g. in engines, transmissions, axles, hydraulic motors and pumps) may be made from rubber that contains fluorides, which, when exposed to high heat (fire), forms hydrogen fluoride and hydrofluoric acid. This acid is very corrosive and cannot be rinsed or washed off from the skin. It causes very severe burns which take a long time to heal.

It usually means that damaged tissue must be surgically removed. Several hours may pass after contact with the acid, before any symptoms appear and therefore one is not given any immediate warning. The acid may remain on the machine parts for several years after a fire.

If swelling, redness or a stinging feeling appears and one suspects that cause may be contact with heated rubber that contains fluorides, contact a medical doctor immediately. If a machine, or part of a machine, has been exposed to fire or severe heat, it must be handled by specially trained personnel. In all handling of machines after a fire, thick rubber gloves and protective goggles must be used.

The area around a part which has been very hot and which may be made of rubber that contains fluorides must be decontaminated by thorough and ample washing with limewater (a solution or suspension of calcium hydroxide, i.e. slaked lime in water). After the work has been completed, the gloves must be washed in limewater and then discarded.

Rubber and Plastics

Polymer materials when heated, can form compounds that create a health hazard and can harm the environment. Scrapped rubber and plastic must never be burned. Extra precautions must be taken when servicing machines that have been in a fire or exposed to extreme heat.

If gas cutting or welding is to be done near such materials, the following safety instructions must be followed:

- Protect the material from heat.
- Use protective gloves, protective goggles and an approved respirator.

Waste Hazardous to the Environment

Painted parts or parts made of plastic or rubber which are to be scrapped must never be burned, but must be taken care of by an approved refuse handling plant.

Batteries, plastic objects and anything else which is suspected of being dangerous to the environment must be taken care of in an environmentally safe way.

Check List After Fire

When handling a machine which has been damaged by fire or been exposed to intense heat, the following protective measures must under all circumstances be followed:

Use thick, gloves made of rubber and wear goggles which are certain to protect your eyes.

Never touch burned components with your bare hands, as there is a risk that you may come into contact with melted polymer materials. First wash thoroughly with plenty of limewater (a solution or suspension of calcium hydroxide, i.e. slaked lime in water).

As a precaution, seals (O-rings and other oil seals) should always be handled as if they were made of rubber that contains fluorides.

Treat skin, which is suspected of having touched burned rubber that contains fluorides, with Hydrofluoric Acid Burn Jelly or something similar. Seek medical advice. Symptom may not appear until several hours afterwards.

Discard gloves, rags etc. which are suspected of having touched burned rubber that contains fluorides.

IMPORTANT

When disconnecting or connecting connectors between ECU and engine, or connector between ECU and the machine, always disconnect the battery to prevent damage to ECU.

If you do not follow this procedure, the ECU will be damaged and/or the engine will not operate properly.

When performing welding repairs, perform welding in a properly equipped and well ventilated area. Repairs should only be performed by a qualified welder. Welding operations, can create potential hazards, including generation of gas, fire, or electric shock. Never let an unqualified welder do welding.

A qualified welder must do the following:

- To prevent battery explosion, disconnect battery terminals and remove batteries.
- To prevent generation of gas, remove paint from location of the weld.
- If hydraulic equipment, piping or component ports close to them are heated, a flammable gas or mist could cause an explosion or fire. To prevent this, protect and insulate components from excessive heat.
- Do not weld on pipes or on tubes that contain flammable fluids. Do not flame cut pipes or tubes that contain flammable fluids. Before welding on pipes or tubes, or before flaming cut pipes or tubes, clean them thoroughly with a nonflammable solvent. Make sure pressure inside pipes or tubes does not cause a rupture of the component parts.
- If heat is applied directly to rubber hoses or piping under pressure, they may suddenly break, so cover and insulate them with a fireproof covering.
- Wear protective clothing.
- Make sure there is good ventilation.
- Remove all flammable objects and make sure a fire extinguisher is available for immediate use.

Preparation for Electrical Welding on Body Structure

To prevent damage to ECU by electrical welding, observe the following procedures:

1. Turn battery disconnect switch to "OFF" position.
2. Disconnect the connector between ECU and machine, and the connector between ECU and engine.
3. Proceed with welding.
4. After welding, connect the connector between ECU and machine, and the connector between ECU and engine.
5. Turn battery disconnect switch to "ON" position.

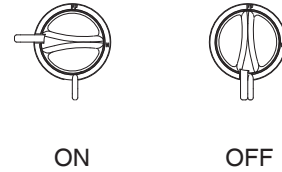


Figure 34

FG020630



Figure 35

FG021641

Working on Machine

When performing maintenance operations on machine, prevent tripping and falling by keeping area around your feet clean and free of objects and debris. Always do the following:

- Do not spill oil or grease.
- Do not leave tools laying around.
- Watch your step when walking.
- Never jump down from machine. When getting on or off machine, use steps and handrails, and maintain a three-point contact (both feet and one hand or both hands and one foot) to support yourself.
- If job requires it, wear protective clothing.
- To prevent injury from slipping or falling, when working on hood or covers, never stand or walk on areas except areas equipped with nonslip pads.
- If it is necessary to work under raised equipment or the machine, support work equipment and machine securely with blocks and stands strong enough to support weight of work equipment and machine.
- Do not work under the machine if machine is lifted off ground and the machine is supported only with work equipment. If any control levers are moved, or there is damage to hydraulic system, work equipment or the machine will suddenly drop causing death or serious injury.



Figure 36

ARO1380L

Lock Inspection Covers

When performing maintenance with inspection cover open, use lock bar to secure cover to prevent cover from suddenly closing causing death or serious injury.

If maintenance work is done with the inspection cover open but not locked, it could suddenly close because of the wind or movement of the machine.

Accumulator

The pilot control system is equipped with an accumulator. For a short period of time after engine has been stopped, accumulator will store a pressure charge that allow hydraulic controls to be activated. Activation of any controls will allow selected functions to operate under force of gravity.

When performing maintenance on pilot control system, release hydraulic pressure in system as described in "Handling of Accumulator" on page 4-101.

The accumulator is charged with high-pressure nitrogen gas. If it is improperly handled, it can explode causing death or serious injury. Always observe the following precautions:

- Do not drill or punch holes in accumulator or expose it to any flames, fire or external heat source.
- Do not weld on accumulator.
- When performing disassembly or maintenance of accumulator, or when disposing of accumulator, charged nitrogen gas must be properly released before beginning such work. Contact your DOOSAN distributor for assistance.
- Wear safety goggles and leather gloves when working on an accumulator. Hydraulic oil under pressure can penetrate skin and result in death or serious injury. If fluid enters skin or eyes, get immediate medical attention from a physician familiar with this injury.



Figure 37

EX1400135

Compressed Air

- When cleaning filters, radiator or other components with compressed air, there is a hazard of flying particles that can result in serious injury.
- Always wear safety goggles, dust mask, leather gloves, and other protective devices.

Supports and Blocking for Work Equipment

Do not allow weight or equipment loads to remain suspended and unsupported.

Lower lift arm and attachment to ground before leaving operator's seat.

Do not use hollow, cracked or unstable. Always use an approved support to prevent sudden lowering of the lift arm.

Do not work under any equipment supported only by a lifting jack.



Figure 38

HDO1042L

High-pressure Lines, Tubes and Hoses

When inspecting or replacing high-pressure piping or hoses, check to verify that pressure has been released from circuit. Failure to release pressure can result in death or serious injury. Release pressure as described in "Handling of Accumulator" on page 4-101. Always do the following:

- Wear eye protection and leather gloves.
- Fluid leaks from hydraulic hoses or pressurized components can be difficult to see but has enough force to pierce skin and can result in death or serious injury. Always use a piece of wood or cardboard to check for suspected hydraulic leaks. Never use your hands or expose your fingers. Always wear safety goggles.
- Do not bend high-pressure lines. Do not strike high-pressure lines. Do not install lines, tubes or hoses that are bent or damaged.
- Make sure that all clamps, guards and heat shields are correctly installed to prevent vibration, rubbing against other parts, and excessive heat during operation.
- Replace hose or components if any of the following problems are found:
 - Damage or leakage from hose end fitting.
 - Wear, damage, cutting of hose covering, or wire braiding is exposed on any hose.
 - Cover portion is swollen in any section.
 - The hose is twisted or crushed.
 - Foreign material is embedded in hose covering.
 - Hose end is deformed.
 - Connection fittings are damaged or leaking.

NOTE: Refer to "Hose In-service Lifetime Limit (European Standard ISO 8331 and EN982 CEN)" on page 4-95, for additional European regulations.

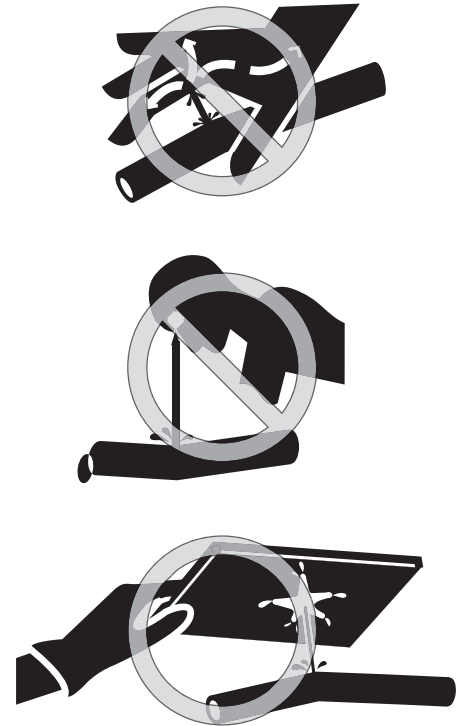


Figure 39

EX1400129

High-pressure is generated inside fuel lines when engine is running. Before performing inspection or maintenance of fuel line system, wait for at least thirty seconds after stopping engine to let internal pressure drop and tip breather cap up to release residual pressure.

Oil or fuel leaks from high-pressure hoses can cause fire or improper operation, which can result in death or serious injury. If any loose bolts are found, stop work and tighten to specified torque. If any damaged hoses are found, stop operations immediately and contact your DOOSAN distributor for replacement parts.

Battery

Battery Hazard Prevention

Battery electrolyte contains diluted sulfuric acid and generates hydrogen gas. Hydrogen gas is highly explosive, and improper handling can cause death or serious injury, or fire. Do not allow electrolyte to contact skin or eyes. Always wear safety goggles and protective clothing when servicing batteries. Wash hands after touching batteries and connectors. Use of acid-resistant gloves is recommended. Always observe the following precautions.

- Do not smoke or bring any flame near battery.
- When working with batteries, always wear safety goggles, protective clothing, and acid-resistant gloves.
- If you spill battery electrolyte on yourself or your clothes, immediately flush area with water.
- If battery electrolyte gets into your eyes, flush them immediately with large quantities of water and get immediate medical attention from a physician familiar with this injury.
- If you accidentally drink battery electrolyte, call a poison prevention center immediately and get immediate medical attention from a physician familiar with this injury.
- When cleaning top surface of battery, wipe it with a clean, damp cloth. Never use gasoline, thinner, or any other organic solvent or detergent.
- Tighten battery caps.
- If battery electrolyte is frozen, do not charge battery or start engine with power from another source. This could cause the battery to explode and start a fire.
- When charging battery or starting with power from another source in cold temperatures let battery electrolyte thaw and check that there is no leakage of battery electrolyte before starting operation.
- Always remove battery from machine before charging.



Figure 40

EX1400136

- Do not use or charge battery if battery electrolyte level is below LOW LEVEL line. This can cause an explosion. Periodically check battery electrolyte level and add distilled water to bring electrolyte level to FULL LEVEL line.
- Before maintaining or working with batteries, turn starter switch to "O" (OFF) position.

Since there is a potential hazard that sparks could be generated, always do the following:

- Do not let tools, rings or other metal objects make any contact with battery terminals. Do not leave tools or other metal objects lying near battery.
- When disconnecting battery terminals, wait for approximately one minute after turning engine starter switch key to "O" (OFF) position, and be sure to disconnect grounding terminal; negative (-) terminal first. Conversely, when connecting them, begin with positive (+) terminal and then grounding (-) terminal. Make sure that all terminals are connected securely.
- Flammable hydrogen gas is generated when battery is charged. Remove battery from machine, take it to a well ventilated place, and remove battery caps, before charging it.
- After charging, tighten battery caps securely.
- After charging, secure battery back in machine.

When repairing or welding electrical system, wait for approximately one minute after turning engine starter switch key "OFF". Then disconnect negative (-) terminal of battery to stop flow of electricity.

Preservation/Storing Machine

Perform the following if storing the machine for more than one month.

Conditions	Maintenance Required
Cleaning	Pressure wash entire machine. Inspect for damage or loose or missing parts.
Lubrication	Perform all daily lubrication procedures.
	(If equipped) Everyday, turn on the central lubrication pump over 1 cycle (approximately 10 minutes). Use the auto grease switch in cabin.
	Apply a coating of light oil to exposed plated metal surfaces, such as hydraulic cylinder rods, etc.
	Apply a coating of light oil to all control linkages and control cylinders (control valve spools, etc.)
Battery	Turn "OFF" the battery disconnect switch.
Cooling System	Inspect coolant recovery tank to make sure that antifreeze level in system is at correct level.
	Every 90 days, use a hydrometer to measure protection level of coolant. Refer to "Antifreeze Concentration Tables" on page 4-100, to determine amount of protection cooling system requires. Add coolant as required.
Hydraulic System	Once a month, start engine and follow procedures listed in "Automatic Warming Up Operation" on page 3-10, in this manual.

1. Complete the steps listed above.
2. Wash machine and touch up paint finish to avoid rusting.
3. Treat exposed parts with antirust agent, lubricate machine thoroughly and apply grease to unpainted surfaces like lifting and tilting cylinders etc.
4. Fill fuel tank and hydraulic oil tank to "FULL" marks.
5. Cover exhaust pipe (if parking outside).
6. Make sure that coolant is at proper concentration for expected lowest temperatures.
7. Parking machine on firm and level ground where there is no risk of freezing, landslide or flooding. Avoid parking machine on a slope.

Keep in mind that theft and burglary risk can be minimized by:

- Removing starter key when the machine is left unattended.
- Locking doors and covers after working hours.
- Turning off electrical current with battery disconnect switch.
- Parking machine where risk of theft, burglary and damage is minimized.
- Removing valuables from cabin such as cellular phone, computer, radio and bags.

See "Long Term Storage" on page 4-108, for more information.

Check After Long-term Parking

- All oil and fluid levels.
- Tension of all belts.
- Air pressure.
- Air cleaner.
- Batteries and electrical connections.
- Lubricate all greasing points.
- (If equipped) Check the reservoir of the central lubrication pump, and change the grease if it is divided into two layers, oil and soap. It can cause blockage of system.
- Wipe off grease from piston rods.
- Inspect for signs of nests (i.e. birds, rodents, etc.)

TRANSPORTATION

Obey State and Local Over-the-Road Laws and Regulations

Check federal, state and local laws and regulations regarding weight, width and length of a load before making preparations for transporting on public roads or highways.

The hauling vehicle, trailer and load must be in compliance with applicable regulations for the shipping route.

Partial disassembly of the machine may be necessary to meet travel restrictions or particular conditions at work site. See Shop Manual for information on partial disassembly.

Refer to "Transportation" on page 5-1, for information on loading, unloading and towing.

The machine can be disassembled into parts for transporting. Contact your DOOSAN distributor for assistance with disassembly.

Loading and Unloading

To prevent machine tipping or roll-over when loading or unloading machine, always do the following:

- Perform loading and unloading only on firm and level ground. Maintain a safe distance from edge of road or drop-off.
- Never use work equipment to load or unload machine. The machine may fall or tip over.
- Always use loading ramps of adequate strength and capacity. Be sure that ramps are wide, and long enough to provide a safe loading slope. Take steps to prevent ramps from moving out of position or coming off.
- Clean ramp surfaces so they are free of grease, oil, ice and loose materials. Remove dirt from machine tires. On a rainy day, be careful since ramp surfaces can be slippery.
- Turn auto idle switch "OFF".
- Run engine at low speed and travel slowly.
- When on ramps, do not operate any control lever except for shift lever.
- Never correct your steering on ramps. If necessary, drive off ramps, correct machine direction, then drive back onto ramps.
- For machines equipped with a cabin, always lock door after loading machine to prevent door from suddenly opening during transportation.

Transporting Machine

When transporting machine on a trailer or truck, do the following:

- The weight, transportation height, and overall length of machine may change depending on work equipment attached to it. Always check the machine dimensions and work equipment's dimensions before transporting.
- When passing over bridges or structures on private land, check that structure is strong enough to support weight of machine. Before traveling on public roads, check with appropriate authorities and follow their instructions.

ENVIRONMENT AND CIRCUMSTANCES

Work Site Areas Requiring Extra Caution

- Do not operate too close to edge of a quay, ramp, etc.
- Do not operate too close to edge of a steep slope or drop-off. Use caution when working in a place where machine may tip over.
- Do not operate on soft ground or near riverbank that could collapse or where ground may not support weight of machine.
- Observe changes in ground and traction conditions after a rain or other changes in weather.

Digging Under an Overhang

Do not dig work face under an overhang. This can cause overhang to collapse and fall on top of the machine, resulting in death or serious injury.

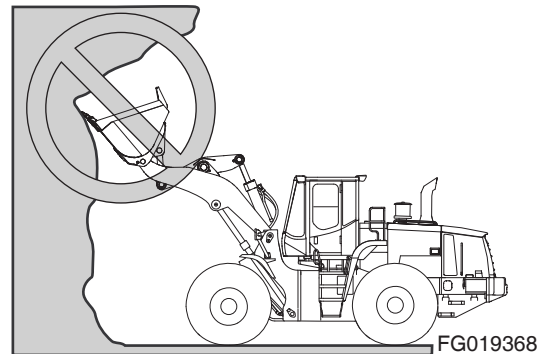


Figure 41

Deep Digging

Do not perform deep digging under front of machine. The ground under machine may collapse and cause machine to fall resulting in death or serious injury.

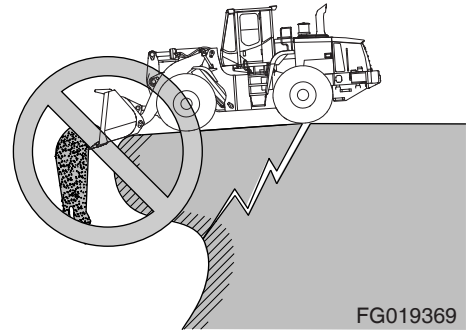


Figure 42

Drop-off or Edge

When working near or at an edge of a drop-off, the machine could tip over, which can result in death or serious injury. Always fasten your seat belt. Check ground conditions of work site before operating to prevent the machine from falling or rollover, and to prevent ground, stockpiles, or banks from collapsing.

Do not travel too close to edge of a drop-off. When working on or from top of buildings or other structures, check if structure can support weight of machine and attachment. If a building structure collapses, this can cause death or serious injury.

Poor Visibility

For good visibility, always do the following:

- When working in dark areas, attach working lights and front lights to the machine. If necessary, set up additional lighting at work site.
- Stop operations when visibility is poor, such as in fog, mist, snow, and rain. Wait for visibility to improve before starting operation.

To avoid hitting work equipment and damaging other property, always do the following:

- When working in tunnels, on bridges, under electrical wires, or when parking the machine or performing other operations in places with limited height, be careful not to hit and damage other equipment or property.
- To prevent hitting objects, operate machine at a slow speed when working in confined spaces, indoors, or in crowded areas.
- Do not move bucket over the top of personnel or bystander or over operator's cabin of dump truck or other machines.

Loose or Soft Ground

Do not operate on soft ground or near edge of drop-offs, overhangs, or deep ditches. The ground can collapse because of the weight of the machine, causing the machine to fall or rollover.

Check ground conditions before beginning work with the machine. If ground is soft, reposition the machine before operating.

The excavated material must not be dumped too close to edge. The distance from an edge of an excavation where the excavated material must be dumped depends on soil type and moisture content. If loose clay is being excavated, place it at least 5 m (16 ft) away from edge.

If excavated material is dumped too close to edge, its weight can cause a landslide.

Thawing of frozen ground, rain, traffic, piling and blasting are other factors which increase risk of landslide. The risk also increases on sloping ground. If it is not possible to dig a trench and adequately slope its sides, always install shoring equipment.

Loose ground may easily give way under weight of the machine.

When working on loose or unstable ground, it is important not to dig too deep and to carefully reposition the machine. Do not panic and do not raise bucket, if ground should begin to collapse. Lower work equipment to improve stability of machine.

Never dig under machine, if there is a potential of causing a landslide.

High-voltage Cables

Do not travel or operate machine near electrical cables or overhead power lines. There is a hazard of electric shock, which can cause property damage and result in death or serious injury. The bucket or other attachment does not have to make physical contact with power lines for current to cause an electrocution.

Use a spotter and hand signals to stay away from power lines not clearly visible to operator. On work sites where machine may operate close to electrical cables, always do the following:

- Remember that electrical voltage determines what the minimum distance is to stay away from the power line. See the following table for minimum distances when working near electrical power lines. Electrical flashover can occur and cause damage to the machine or cause machine and cause death or serious injury.

Voltage	Minimum Distance
6.6 kV	3 m (9' 10")
33.0 kV	4 m (13' 1")
66.0 kV	5 m (16' 5")
154.0 kV	8 m (26' 3")
275.0 kV	10 m (32' 10")

- Always contact the power company responsible before beginning work near high voltage power lines.

Underground Operation

If excavation is in an underground location or in a building, make sure there is adequate overhead clearance, and adequate ventilation.

Special equipment and engines may be required in some countries. Contact your DOOSAN distributor for more information.

Check that there is sufficient room for machine and load.

Move slowly.

Make sure that authorities or companies responsible for underground cables, utilities, and electrical lines have been contacted and that their instructions are followed. Also check which rules apply to ground personnel regarding exposing cables, utilities and electrical lines.

Consider all electrical cables as live.

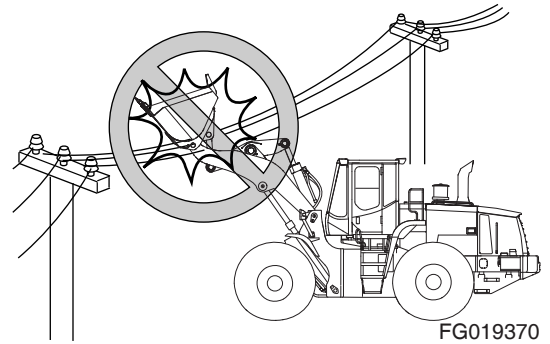


Figure 43

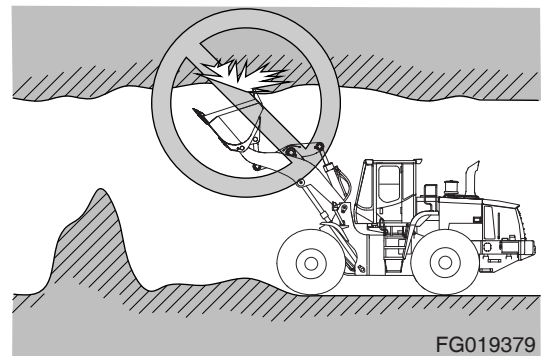


Figure 44

Working in Water

After working in water, lubricate all lubrication points on front and rear frames which have been under water so water is removed.

The water depth is an important factor to take into consideration when the machine is working in swampy areas. Do not enter water whose depth exceeds the machine's minimum ground clearance height or is high enough to wet the bottom of the axle housing.

As a rule of thumb, the allowable water depth is about 400 mm (16 inches). This means that the machine should not be used in a river.

Observe the following conditions:

1. Check the water depth in advance when crossing across a river.
2. Use the same precautions before crossing across a swampy area.
3. Do not enter rivers whose riverbed is steep or has a rapid flow.

IMPORTANT

Avoid use of the loader in salt water. Salt water will cause the development of rust which will shorten the life of the loader.

Working in Contaminated Environment

When working within area which is contaminated or where there is a health risk, check local laws and regulations and contact your DOOSAN distributor for assistance with identifying what additional safety precautions need to be taken.

Operation in Extreme Conditions

Operation In Extreme Cold

In extremely cold weather, avoid sudden travel movements and stay away from even slight slopes. The machine could slide down the slope.

Snow accumulation could hide potential hazards and slippery surfaces.

Warming up the engine for a short period may be necessary to avoid operating with sluggish or reduced working capacity. The jolting shocks and impact loads caused by bumping or bottoming boom or attachment could cause severe stress in very cold temperatures. Reducing work cycle rate and workload may be necessary.

If machine is to be operated in extremely cold weather temperatures, certain precautions must be taken. The following checks must be made before operating the machine:

1. Check cooling system for correct mixture of antifreeze solution for lowest expected temperature. Carefully inspect cooling system and repair as necessary.
2. Keep batteries fully charged to prevent freezing. If distilled water is added to batteries, run engine at least one hour to mix electrolyte solution.
3. Keep engine in good mechanical condition for easy starting and good performance during adverse weather.
4. Use engine oil with proper specifications for expected temperatures. Refer to "Table of Recommended Lubricants" on page 4-24, in this manual or Shop Manual for details.
5. Always keep fuel tank full. Drain condensation from tank before and after operation. Drain and service fuel filter. To eliminate clogging of fuel filters because of wax crystal formation in fuel, be sure that fuel used has a cloud point specification below lowest expected temperature.
6. Lubricate entire machine according to the "Lubrication and Service Chart" on page 4-30, in this manual and/or the lubrication chart on machine.

(If equipped) Be careful to choose proper greases. Contact your DOOSAN distributor to get more information.
7. Start engine and allow it to reach normal operating temperature before operating.

To warm coolant lines, use the engine coolant heater or the plug heater. These components help warm coolant, and engine oils as well.

To warm fuel lines, activate the fuel heater.

- If mud and ice collects and freezes on any of moving parts while machine is idle, apply heat to thaw frozen material before attempting to operate machine.

- Operate hydraulic units with care until they have reached a temperature which enable them to operate normally.
- Check all machine controls, pedals and functions to be sure they are operating correctly before operating.

8. Transmission Warm-up (Cold Start)

At an oil temperature in the shifting circuit $< -12^{\circ}\text{C}$, the transmission must be warmed up for some minutes.

This must be done in neutral at an increased engine speed (approximately 1500 min^{-1}). Until this oil temperature is reached, the electronics remains in neutral.

After this oil is warmed up enough (Oil temperature in the shifting circuit $\geq -12^{\circ}\text{C}$), the full driving program can be utilized out of "NEUTRAL".

9. An extra outer air filter must be kept in operator's cabin to replace existing element that could become iced and cause restricted airflow to engine.
10. Clean off all mud, snow and ice to prevent freezing. Cover machine with a trap, if possible and keep ends of trap from freezing to ground.

Operation in Extreme Heat

Continuous operation of machine in high temperatures can cause machine to overheat. Monitor engine and hydraulic system temperatures and stop machine to let it cool, when necessary.

1. Frequently inspect and maintain fan and radiator. Check coolant level in radiator. Check grilles and radiator fins for accumulation of dirt, debris and insects which could block cooling passages.
 - Formation of scale and rust in cooling system occurs more rapidly in extremely high temperatures. Change antifreeze each year to keep corrosion inhibitor at full strength.
 - If necessary, flush cooling system periodically to keep passages clear. Avoid use of water with a high alkali content which increases scale and rust formation.
2. Check level of battery electrolyte daily. Keep electrolyte above plates to prevent damage to batteries. Use a slightly weaker electrolyte solution in hot climates. Batteries self-discharge at a higher rate if left standing for long periods at high temperatures. If machine is to stand for several days, remove batteries and store in a cool place.

IMPORTANT

Do not store acid type storage batteries near stacks of tires. Acid fumes can damage rubber.

3. Service fuel system as directed in “Fill Fuel Tank” on page 4-39 and “Check for Leaks in Hydraulic System” on page 4-39, of this manual. Check for water content before filling fuel tank. High temperatures and cooling off cause condensation in storage drums.
4. Lubricate as specified in “Lubrication and Service Chart” on page 4-30, of this manual or on Lubrication Decal on the machine.
5. Do not park machine in sun for long periods of time. If possible, park machine under cover to protect it from sun, dirt and dust.
 - A. Cover machine if no suitable shelter is available. Protect engine compartment and hydraulics from dirt and debris.
 - B. In hot, damp climates, corrosion will occur on all parts of machine and will be accelerated during rainy season. Rust and paint blisters will appear on metal surfaces and fungus growth will appear on other surfaces.
 - C. Protect all unfinished, exposed surfaces with a film of preservative lubricating oil. Protect cables and terminals with ignition insulation compound. Apply paint or suitable rust preventive to damaged surfaces to protect them from rust and corrosion.

Operation In Dusty and Sandy Areas

Operation of machine can cause dust in almost any area. However, when in predominantly dusty or sandy areas, additional precautions must be taken.

1. Keep cooling system fins and cooling areas clean. Blow out with compressed air, if possible, as often as necessary.



WARNING

AVOID DEATH OR SERIOUS INJURY

Wear goggles when using compressed air to prevent face or eye injury.

2. Use care when servicing fuel system to prevent dust and sand from entering tank.
3. Service air cleaner at frequent intervals, check air restriction indicator daily and keep dust cup and dust valve clean. Prevent dust and sand from entering engine parts and compartments as much as possible.
4. Lubricate and perform services outlined on current lubrication chart on machine and “Lubrication and Service Chart” on page 4-30. Clean all lubrication fittings before applying lubricant. Sand mixed becomes very abrasive and accelerates wear on parts if mixed with lubricants.
5. Protect machine from dust and sand as much as possible. Park machine under cover to keep dust and sand from damaging unit.

Operation in Rainy or Humid Conditions

Operation in rainy or humid conditions is similar to that as in extreme heat procedures previously listed in addition:

1. Keep all exposed surfaces coated with preservative lubricating oil. Pay particular attention to damaged or unpainted surfaces. Cover all paint cracks and chip marks as soon as possible to prevent corrosive effects.

Operation in Saltwater Areas

Saltwater and saltwater spray is very corrosive. When operating in saltwater areas, or in or around snow, observe the following precautions:

1. When exposed to saltwater, dry machine thoroughly and rinse with freshwater, as soon as possible.
2. Keep all exposed surfaces coated with preservative lubricating oil. Pay attention to damaged paint surfaces.
3. Keep all painted surfaces in good repair.
4. Lubricate machine as prescribed on lubrication chart on machine or "Lubrication and Service Chart" on page 4-30, in this manual. Shorten lubricating intervals for parts exposed to saltwater.
5. Check operating controls to ensure proper functionality and that they return to "NEUTRAL" when released.

Operation at High Altitudes

Operation instructions at high altitudes are the same as those provided for extreme cold. Before operating at high altitudes, engine fuel and air mixture may have to be adjusted according to appropriate engine manual.

1. Check engine operating temperature for evidence of overheating. The radiator cap must make a perfect seal to maintain coolant pressure in cooling system.
 - Perform warming-up operation thoroughly. If machine is not thoroughly warmed up before control levers or control pedals are operated, reaction of machine will be slow.
 - If battery electrolyte is frozen, do not charge battery or start engine with a different power source. There is a potential hazard that could cause a battery explosion or fire.
 - Before charging or starting engine with a different power source, thaw battery electrolyte and check for any leakage of electrolyte before starting.

Operation During Electrical Storms

During electrical storms, do not enter or exit machine.

- If you are off machine, keep away from machine until storm passes.
- If you are in cabin, remain seated with machine stationary until storm passes. Do not touch controls or anything metal.

Exhaust Ventilation

Engine exhaust gases can cause unconsciousness, loss of alertness, judgment and motor control. This can result in death or serious injury.

Make sure there is adequate ventilation before starting engine in any enclosed area.

Check for and be aware of any open windows, doors or ductwork where exhaust may be carried, or blown by wind, exposing others to hazardous exhaust gases.



ARO1770L

Figure 45

Ventilation for Enclosed Area

If it is necessary to start engine within an enclosed area, or when handling fuel, flushing oil, or paint; open doors and windows to ensure that adequate ventilation is provided to prevent gas poisoning.

Diesel engine exhaust contains combustible materials which can be harmful to your health.

Always run engine in a well ventilated area. If you are in an enclosed area, vent exhaust to outside.

Asbestos Information



WARNING

AVOID DEATH OR SERIOUS INJURY

Avoid exposure to dust containing asbestos as it can cause death or serious injury to the lungs and other organs (mesothelioma, lung and other cancers, and asbestosis).

Asbestos dust can be HAZARDOUS to your health if it is inhaled. Materials containing asbestos fiber can be present on work sites. Breathing air that contains asbestos fiber can ultimately cause serious or fatal lung damage or diseases such as mesothelioma, lung and other cancers, and asbestosis. To prevent lung damage from asbestos fiber, observe the following precautions:

- Use an approved respirator that is approved for use in an asbestos-laden atmosphere.
- Use water for cleaning to keep down dust.
- Always observe any laws and regulations related to work site and working environment.
- Avoid brushing or grinding materials that contain asbestos.
- Use a vacuum cleaner that is equipped with a high efficiency particulate air filter.
- Comply with applicable laws and regulations for workplace.
- Stay away from areas that might have asbestos particles in air.

Silica Dust Information



AVOID DEATH OR SERIOUS INJURY

Avoid exposure to dust containing crystalline silica particles as it can cause serious injury to the lungs (silicosis).

Cutting or drilling concrete containing sand or rock containing quartz can result in exposure to silica dust. Do not exceed Permissible Exposure Limits (PEL) to silica dust as determined by OSHA or other work site rules, laws and regulations. Use a respirator, water spray or other means to control dust. Silica dust can cause lung disease and is known to the state of California to cause cancer.

Disposal of Hazardous Materials

Physical contact with used motor oil or gear oil could create a health risk. Wipe oil from your hands promptly and wash off any remaining residue.

Used motor oil or gear oil is an environmental contaminant and should only be disposed of at approved collection facilities. To prevent pollution of environment, always do the following:

- Never dump waste oil in sewer systems, rivers, etc.
- Always put drained oil from your machine in approved, leak proof containers. Never drain oil directly onto ground.
- Obey appropriate laws and regulations when disposing of harmful materials such as oil, fuel, solvent, filters, and batteries.

Improperly disposing of waste can threaten environment. Potentially harmful fluids must be disposed of according to local laws and regulations.

Sound

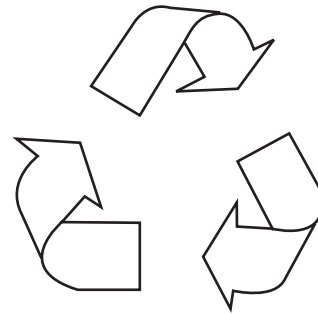
Sound Level Information: Hearing protection may be needed when machine is operated with an open operator station for extended periods or in a noisy environment.

Sound pressure level (LpA) at operator position (Measurement according to ISO 6396)	72 dB(A)
Sound power level (LwA) around the machine (Measurement according to 2000/14/EC with applicable appendices and measuring method according to ISO 6395)	107 dB(A)



ARO1770L

Figure 46



FG009156

Figure 47

Vibration

Hands and Arms: The weighted root mean square acceleration to which hands and arms are subjected to less than 2.5 m/s².

Whole Body: The weighted root mean square acceleration to which whole body is subjected to less than 0.5 m/s².

Measurements are obtained on a representative machine, using measuring procedures as described in the following standards: ISO 2631-1, ISO 5349, and SAE J1166.

Recommendations for Reducing Vibrations:

1. Select proper machine, equipment and attachments for a particular application.
2. Replace any damaged seat with a genuine DOOSAN seat. Keep seat properly maintained and adjusted.
 - Adjust seat and suspension for weight and size of operator.
 - Inspect and maintain suspension and adjustment mechanisms for seat regularly.
3. Check that the machine is properly maintained.
4. Operate controls smoothly when; steering, accelerating, slowing down, loading, or moving attachments.
5. Adjust machine speed and travel path to reduce vibration level.
 - Slow down when traveling over rough terrain or long distances.
 - Avoid obstacles and rough terrain.

Operating Controls

The "Operating Controls" section consists of the following groups:

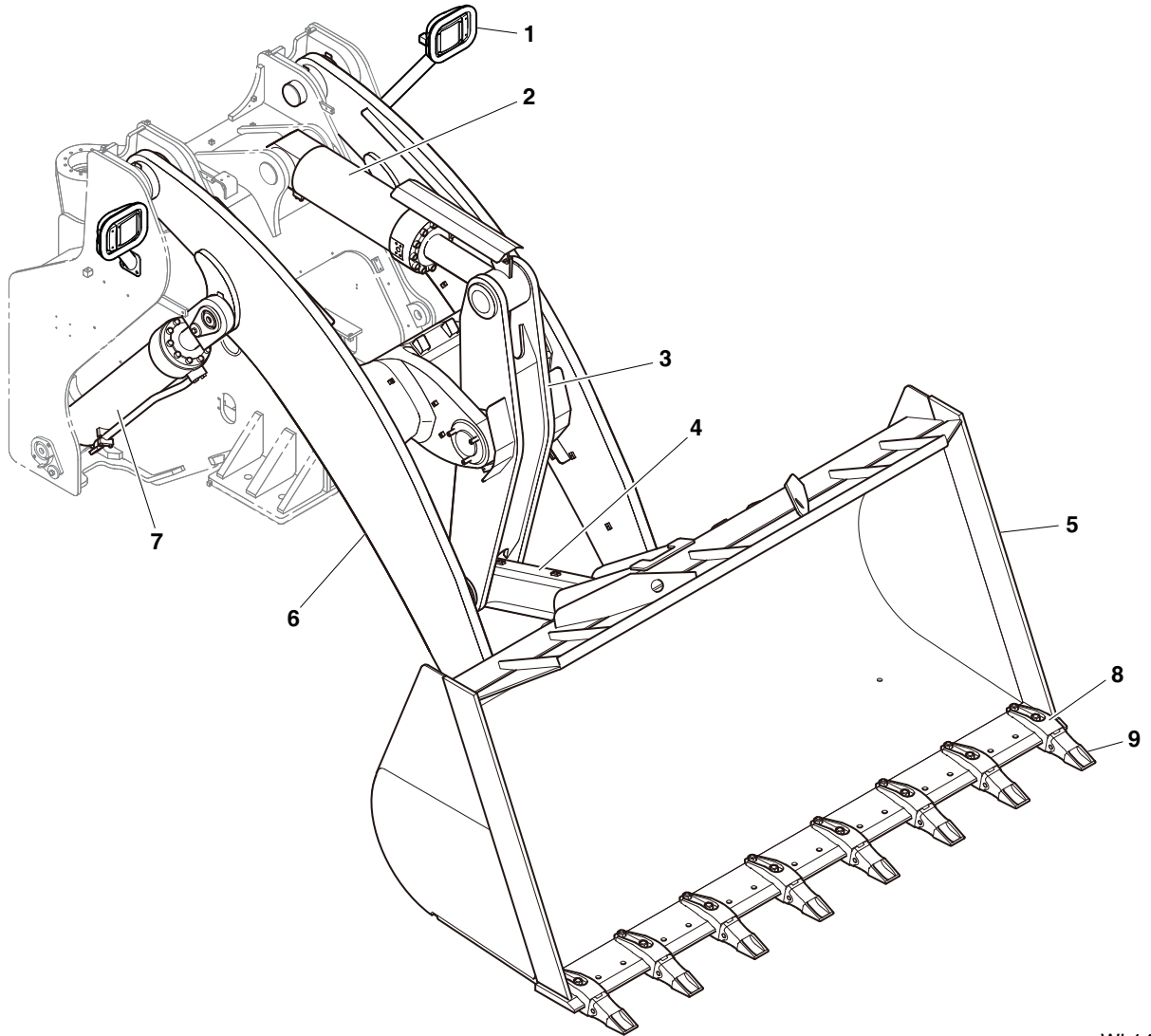
1. "Component Locations" on page 2-2
2. "Operator's Area" on page 2-5
3. "Steering Console and Pedals" on page 2-6
4. "Front Instrument Panel" on page 2-17
5. "Right Side Switch Panel" on page 2-52
6. "Various Cabin Locations" on page 2-72
7. "Heater and Air Conditioner Operation" on page 2-76
8. "Stereo/CD Player (Optional)" on page 2-82
9. "Seat Adjustment W/Air Suspension (Standard)" on page 2-83
10. "Seat Adjustment W/Air Suspension and Heater" on page 2-86
11. "Seat Belt" on page 2-88
12. "Door Side Latch" on page 2-89
13. "Arm Rest" on page 2-90
14. "Fuse Box/Relay" on page 2-91

Each group is explained with a point location drawing or photo and a brief description of each control, switch, gauge or valve.

Indicator lights are located next to the gauges on the instrument panel. The operator should monitor machine pressures on the instrument panel with indicator lights. These lights will only show there is a problem that needs correction.

IMPORTANT

When any one or more of the warning symbols on the control console come "ON", immediately stop operation. Investigate and correct problem before proceeding with operation.

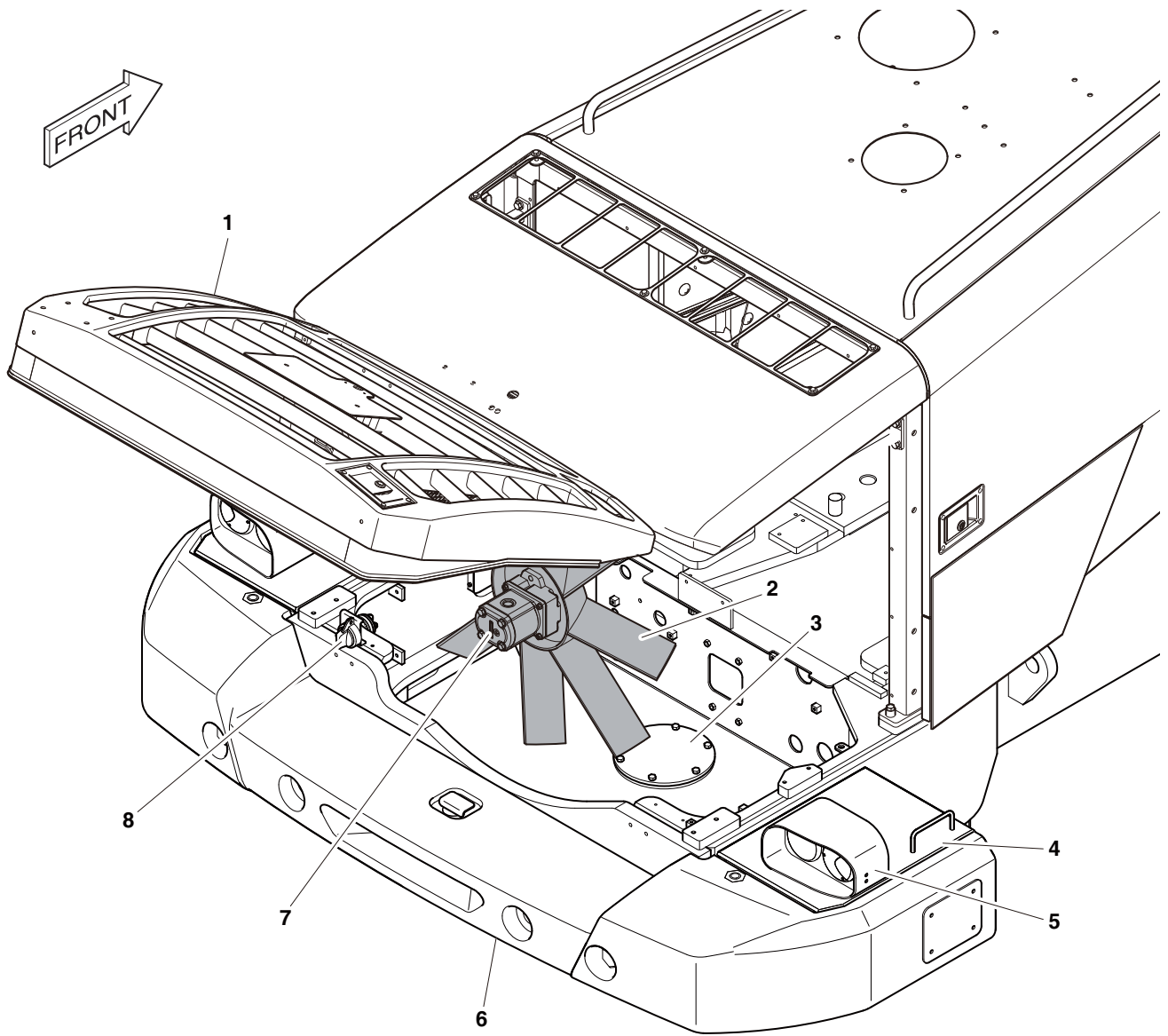


WL1400665

Figure 2

Reference Number	Description
1	Headlight
2	Bucket Cylinder
3	Tilt Lever
4	Bucket Lever
5	Bucket

Reference Number	Description
6	Loader Arm
7	Boom Cylinder
8	Adapter
9	Teeth



WL1400664

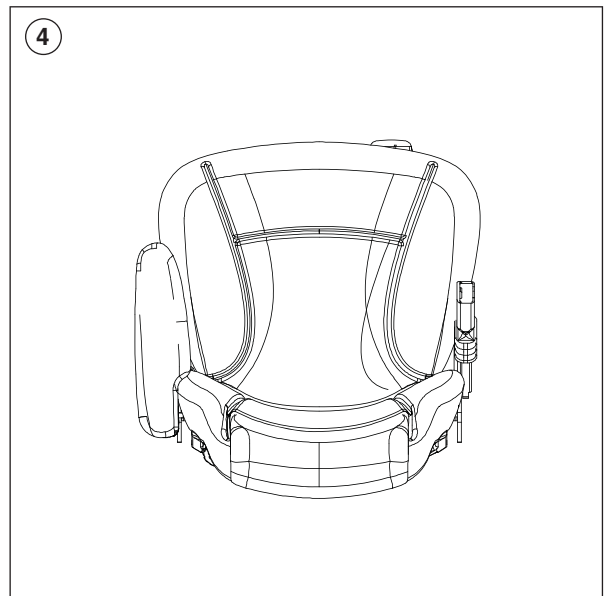
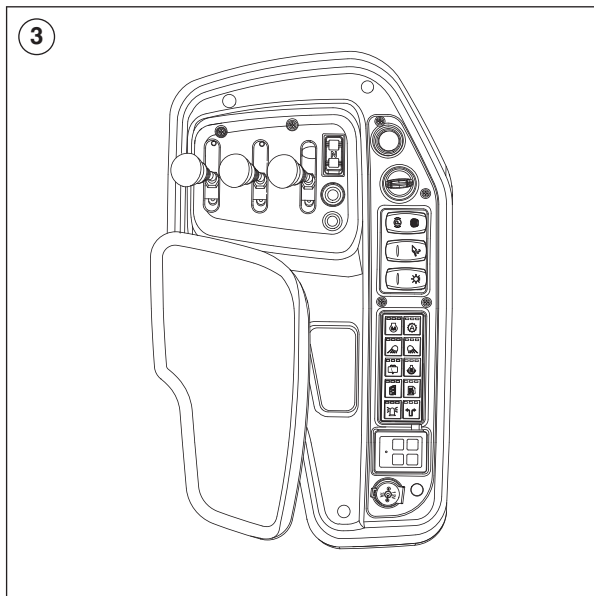
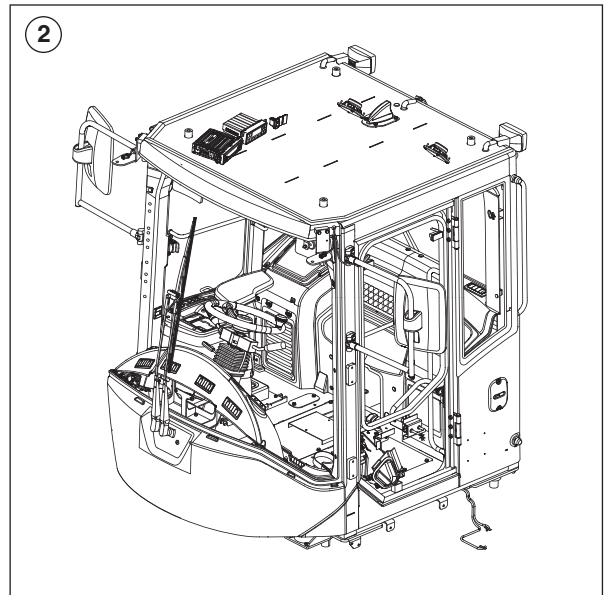
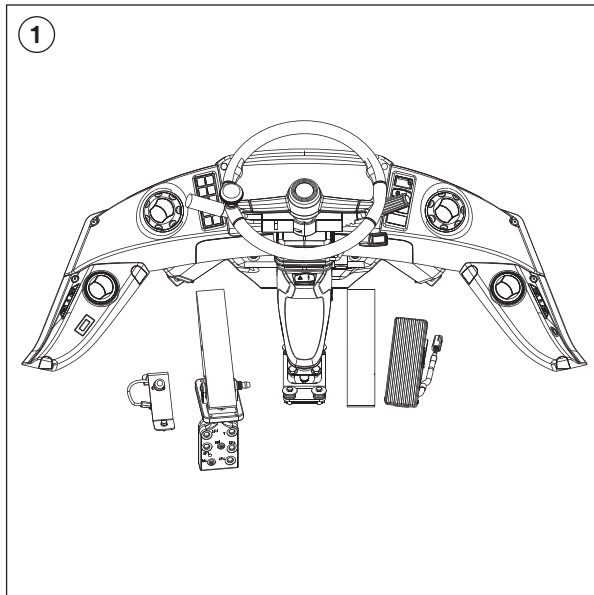
Figure 3

Reference Number	Description
1	Radiator Grille
2	Fan
3	Fuel Tank
4	Battery Box

Reference Number	Description
5	Rear Light
6	Counterweight
7	Fan Motor
8	Battery Disconnect Switch

OPERATOR'S AREA

Figure 4, identifies controls in operator's cabin.



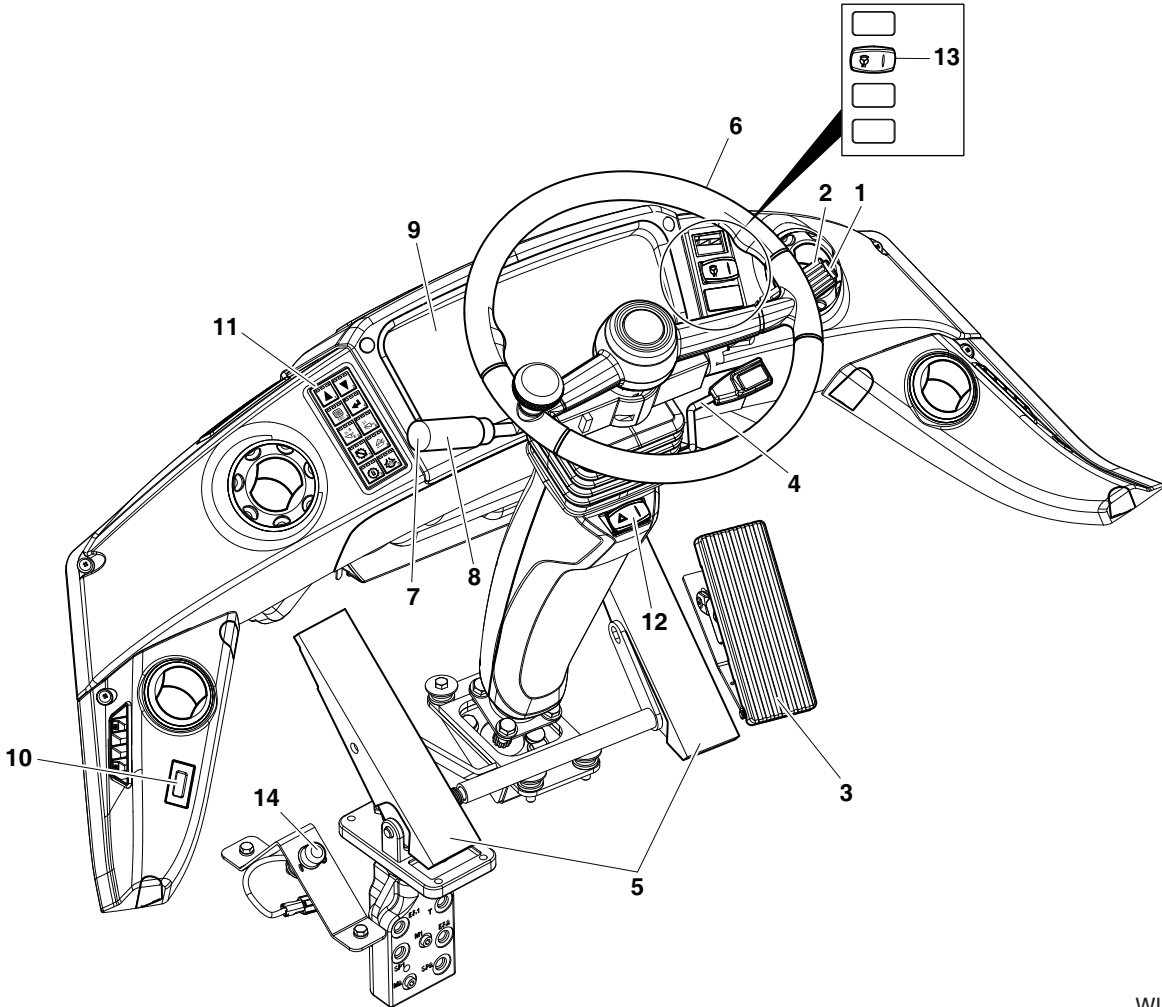
WL1400124

Figure 4

Reference Number	Description
1	Steering Console and Pedal (26)
2	Various Cabin Locations (272)

Reference Number	Description
3	Right Side Switch Panel (252)
4	Seat Adjustment (283)

STEERING CONSOLE AND PEDALS



WL1400125

Figure 5

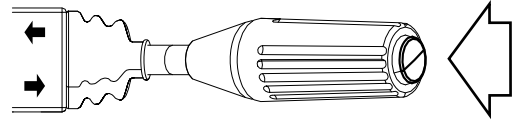
Reference Number	Description
1	Horn Button
2	Combination Switch
3	Accelerator Pedal
4	Steering Wheel Adjustment Lever
5	Brake Pedals
6	Steering Wheel
7	Kick-down Button
8	Transmission Lever

Reference Number	Description
9	Front Instrument Panel
10	Hour Meter
11	Front Keypad
12	Hazard Warning Light Switch
13	Electric Steering High/Low Switch (Optional)
14	Differential Lock Button (Manual)

1. Horn Button (Two Places)

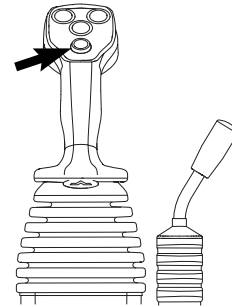
Pressing the button at the end of the combination switch (Figure 6) or the lowest button at tip of FNR lever (joystick) (Figure 7) or the left button at the tip of the finger tip lever (optional) (Left) of the two levers (Figure 8), will sound the horn.

NOTE: *Starter switch must be "ON".*



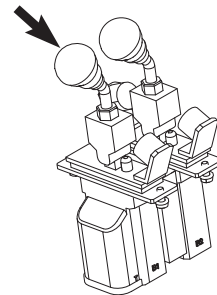
FG018935

Figure 6



FG018937

Figure 7



WL1300162

Figure 8

2. Combination Switch

- A. Left Side Directional Switch - Pushing lever forward, activates left outside directional lights and directional indicator light on instrument panel.
- B. Right Side Directional Switch - Pulling lever back, activates right outside directional lights and directional indicator light on instrument panel.

NOTE: When turn is completed, the lever automatically returns to "NEUTRAL" position. Should it not, it can be manually returned by hand.

NOTE: Turn signals will function with starter switch in "OFF" position.

- C. Window Washer Switch - When the outside area of the lever is pressed, it activates the washer pump and sprays fluid on the windshield. (Only while being pressed.)

NOTE: Do not operate the windshield washer without any fluid. If operated without any fluid, the washer motor may be damaged. Check level in washer tank, and add fluid as required.

NOTE: Using soapy water or synthetic detergent instead of window cleaning fluid, can damage the wiper blade or painted surfaces. Use standard window cleaning fluid: SSK703

- D. Horn Button - The center button on end of lever activates horn. (Only while being pressed.)
- E. Wiper Switch - Activates wipers when outside area of lever is rotated.

J: Intermittent Mode - wiper every five seconds.

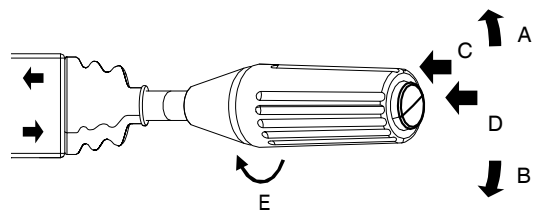
0: Stop (Off).

I: Normal Speed Mode.

II: High-speed Mode.

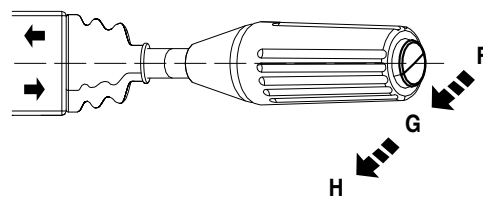
- F. Neutral Position - Normal low beams.
- G. Pull up to 1st step - Momentarily turns "ON" both the low beams and high beams. (It returns to "NEUTRAL" position when released.)
- H. Pull up to 2nd step - The high beams turn "ON". (It returns to "NEUTRAL" position when released.) For turn off, pull up 2nd step again.

NOTE: High and low beams will only function with the headlight switch in the "||" position.



FG018956

Figure 9



FG018957

Figure 10

3. Accelerator Pedal

Controls the travel speed of loader and working speed of load handling system.

IMPORTANT

The further the pedal is pressed, the more the engine speed will increase. However, do not press the pedal more than necessary otherwise, it will increase fuel consumption.

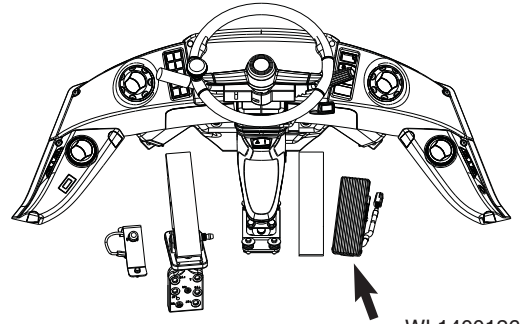


Figure 11

4. Steering Wheel Adjustment Lever

Control lever (1, Figure 12) is used allow wheel to be moved to the most convenient position for the operator.

Adjusting Steering Wheel Tilt

Push lever (1, Figure 13) downward and move wheel (2, Figure 13) to desired position. Tilt angle is 15° to window side, 24° to driver side.

Adjusting Steering Wheel Telescopic

Pull lever (1, Figure 13) upward and move wheel (2, Figure 13) to desired position. Telescopic stroke is 85 mm.

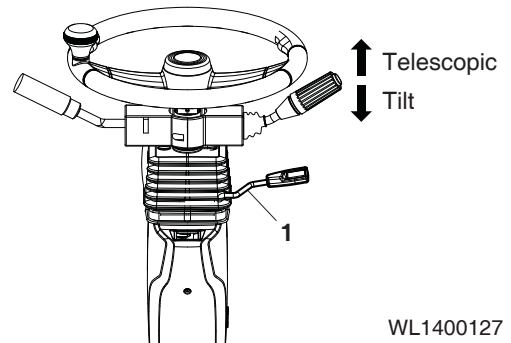


Figure 12

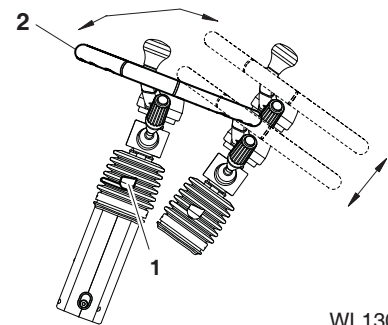


Figure 13

5. Brake Pedal (Right and Left Pedals)

Pressing brake pedal will apply the brakes to the machine. The brake pedal modes can be switched from "INCHING" to "NO INCHING" or vice versa, by using the transmission cutoff selector switch (See page 2-14).



CAUTION

AVOID INJURY

When descending an incline, slow down the machine by using both the brake pedal and the engine as a brake by shifting the transmission to a lower gear. Using the brake pedal too often might lead to insufficient oil pressure, reduce braking capability.

IMPORTANT

Do not use brake pedal as a footrest. This will cause brake disk to wear faster than normal, and this could reduce braking capability.

6. Steering Wheel

Rotating steering wheel controls position of front wheels and this determines direction of machine travel.

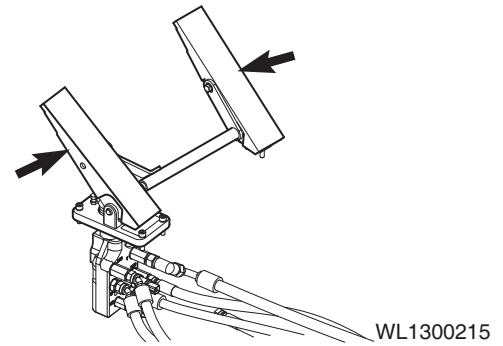


Figure 14

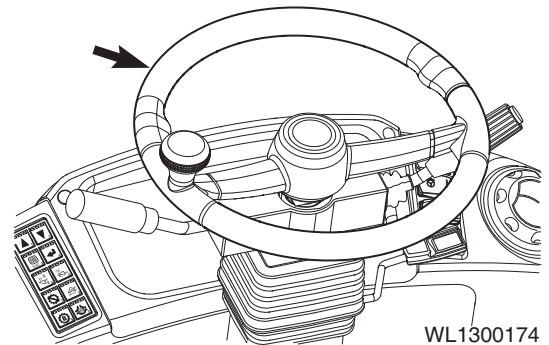


Figure 15

7. Kick-down Button (Two Places)

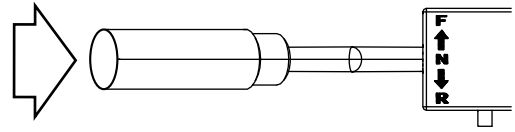
When transmission is in 2nd gear, pressing this switch will shift transmission into 1st gear. This will allow the driver to perform a quick digging movement.

NOTE: *Kick-down is "RELEASED" when transmission is placed in "NEUTRAL" position or the switch is pressed again.*

Kick-down function range:

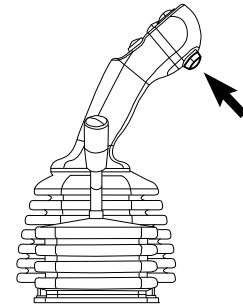
- Automatic: 2nd, 3rd, 4th.
- Manual: 2nd

The second kick-down button is on the reverse side of the pilot control valve lever (joystick).



FG018982

Figure 16

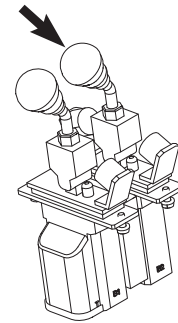


FG019164

Figure 17

A third kick-down button (optional) (Figure 18) is on the right button in the tip of the pilot control valve lever (Right one of two levers).

NOTE: *If the machine is equipped with a "Left Side Electric Steering Control Unit (Optional)" on page 2-69, there is an additional kick-down button. (See page 2-70)*



FG023248

Figure 18

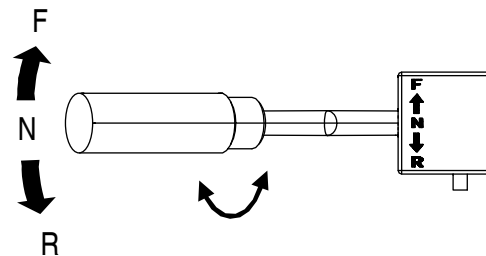
8. Transmission Lever

F Forward - When the lever is pushed forward, transmission is in "FORWARD". 1st, 2nd, 3rd and 4th are available.

N Neutral - When the lever is returned to the center position, between forward and reverse, the transmission is in "NEUTRAL".

R Reverse - When the lever is pulled back, transmission is in "REVERSE", 1st, 2nd and 3rd gears are available.

Rotating the switch shifts transmission between 1st, 2nd, 3rd or 4th gears.



FG019004

Figure 19

NOTE: *There is a transmission display, on the dash, that indicates, gears, direction of travel, error codes and kick-down activation. 217)*

A transmission neutral lever lock is located at the base of transmission lever. This neutral lever lock prevents the transmission lever from being moved out of "NEUTRAL".

N "NEUTRAL LOCK" position - Prevents lever from being moved out of "NEUTRAL".

D "DRIVE" position - Allows lever to be moved from "NEUTRAL" to "FORWARD and REVERSE".



CAUTION

AVOID INJURY

"LOCK" transmission lever. Whenever machine is parked, "LOCK" transmission lever in "NEUTRAL" to prevent accidental machine movement.

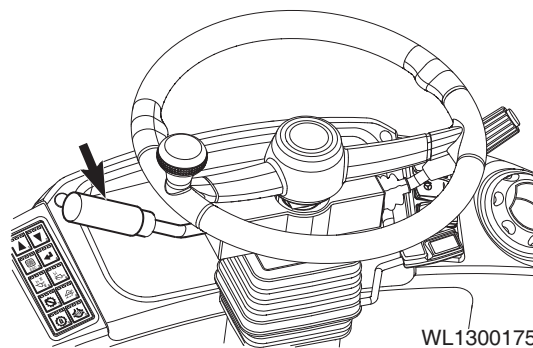


Figure 20

9. Front Instrument Panel

(See page 2-17)

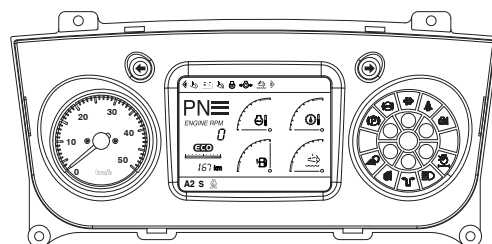


Figure 21

10. Hour Meter

The hour meter is used to indicate total number of operating hours on engine. The meter will flash every 4 seconds when engine is running to indicate that it is functioning properly.

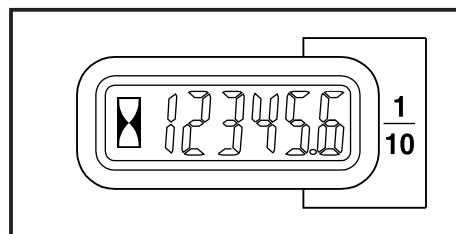


Figure 22

11. Front Keypad

Reference Number	Description
1	Up Arrow Button
2	Down Arrow Button
3	Display Selector Button (ESC-Escape)
4	Selector Button
5	Boom Kick-out Switch
6	Return to Dig Switch (E-MCV Only) (Option)
7	Transmission Cutoff Switch
8	Load Isolation System (LIS) Switch (Optional)
9	Transmission Torque Converter Lockup Switch (Optional)
10	Differential Lock Switch (Auto) (Optional)

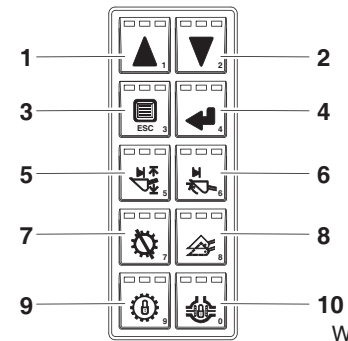


Figure 23

WL1300176

1. Up Arrow Button
(See page 2-22).
2. Down Arrow Button
(See page 2-22).
3. Display Selector Button (ESC-Escape)
(See page 2-22).
4. Selector Button
(See page 2-22).
5. Boom Kick-out Switch
OFF: Boom kick-out is turned "OFF"
Center LED light "ON": Boom kick-out turned "ON"
Center LED light "Blinking": Press button for one second, Set adjusting the current boom position
Left and Right LED light: Not available
6. Return to Dig Switch (E-MCV Only) (Option)
NOTE: *E-MCV is the electric control valve (optional)*
OFF: Return to dig is turned "OFF"
Center LED light "ON": Return to dig turned "ON"
Center LED light "Blinking": Press button for 1 second, Set adjusting the current bucket position

7. Transmission Cutoff Switch



WARNING

AVOID DEATH OR SERIOUS INJURY

When traveling or on a slope, set the transmission cutoff switch to the "No INCHING" mode (LED OFF). This will allow for dynamic engine braking.

This button changes the mode of the brake pedal from "INCHING" to "NO INCHING".

OFF: The "NO INCHING" mode.

In the "NO INCHING" mode, the power transmission line is still connected when the brake pedal is pressed, thus, making it easier to start off on an incline. This mode is also suitable for traveling, because both dynamic engine braking and the service brake can be used when descending grades.

Center LED light "ON": The "INCHING" mode is selected.

In this mode, the transmission is put in "NEUTRAL" by pressing the left brake pedal. This mode is suitable for a load handling operation. When the accelerator pedal is pressed in this setting, more power is concentrated on the load handling system, to quicken the boom lifting speed.

8. Load Isolation System (LIS) Switch (Optional)

This button enables the boom cylinder to absorb shock loading of the machine when traveling or working.

It improves dynamic stability, machine life, and comfort. It is most effective when traveling with a loaded bucket.

Setting the LIS activation speed. (See page 2-22).

OFF: LIS turned "OFF"

Center LED light "ON": LIS turned "ON"

Left and Right LED light: Not available

9. Transmission Torque Converter Lockup Switch (Optional)

The fluid coupling created between the impeller and turbine in a torque converter can cause slippage under certain conditions. These losses in fluid coupling pumping/flow within the torque converter can reduce efficiency and generate excessive heat.

Torque multiplication (increase in output torque) and slippage is not required in all operation phases.

The lockup clutch automatically links the impeller (input side) with the turbine (output side). This effectively connects the engine mechanically with the transmission for direct drive.

The result is no slippage, and virtually no power loss.

If the machine travels down a slope and accelerator pedal is not pressed, the lockup is automatically turned "OFF" to prevent engine from overrunning.

OFF: Transmission torque converter lockup button turned "OFF" transmission converter lockup.

Center LED light "ON": Transmission torque converter lockup button turned "ON" transmission converter lockup.

Left and Right LED light: Not available

10. Differential Lock Switch (Auto) (Optional)

The automatic differential lock system locks the axles so the left and right front wheels turn together when slip is detected.

OFF: Automatic differential lock system is turned "OFF", but manual differential lock is available when using foot switch.

Center LED light "ON": Automatic differential lock system is turned "ON". The automatic differential lock is actuated, and lockup ICON monitor display is turned "ON".

Left and Right LED light: Not available.

CAUTION

AVOID INJURY

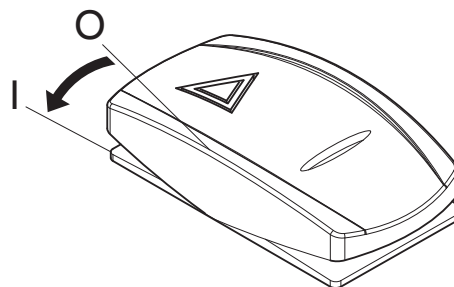
The actuation of the differential lock (pressing differential lock button, manual mode) could influence the driveability while steering. Differential lock actuation is only recommended when driving straight.

12. Hazard Warning Light Switch

The hazard warning light is used when machine is stopped because of a malfunction or when an emergency occurs. When this switch is pressed, all directional indicator lights on front and back of machine will turn "ON" and "FLASH", warning others in the area. At the same time the directional indicator lights on instrument panel will turn "ON" to warn the operator. The hazard warning light operates independently of starter switch.

- O. In this position, all directional indicator lights on front and back of machine, and instrument panel are turned "OFF".
- I. In this position, all directional indicator lights on front and back of machine, and instrument panel are turned "ON".

NOTE: *Hazard warning lights will function with starter switch in "OFF" position.*



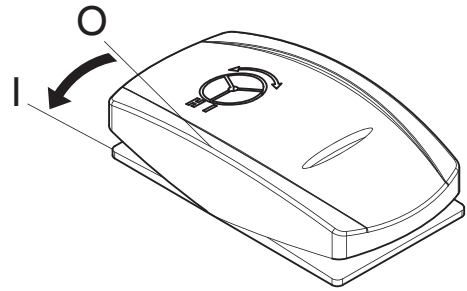
FG019007

Figure 24

13. Electric Steering High/Low Switch (Optional)

This switch is used to switch the electric steering speed between "HIGH" and "LOW".

- O. In this position, steering speed of machine is "LOW" in relation to operation of electric joystick. This setting is suitable for loading loose materials and materials that easily spill.
- I. In this position, steering speed of machine is "HIGH" in relation to operation of electric joystick. This setting is suitable for faster cycle times.



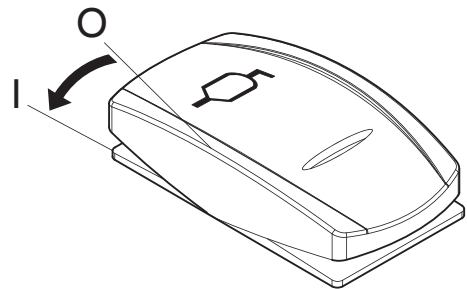
FG019105

Figure 25

14. Auto Grease System Switch (Optional)

This switch is used to switch the auto grease system.

- O. In this position, auto grease system is turned "OFF".
- I. In this position, auto grease system is turned "ON".

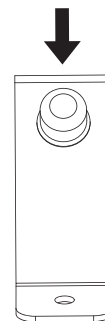


WL1300379

Figure 26

15. Differential Lock Button (Manual)

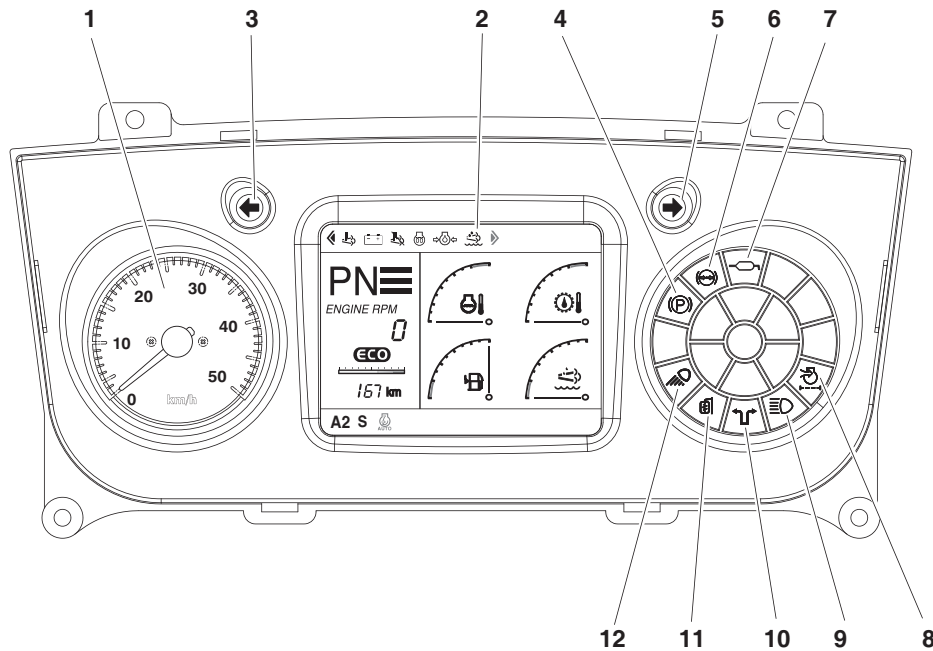
Depress switch to "LOCK" front axle differential and release switch to "UNLOCK" differential.



FG019121

Figure 27

FRONT INSTRUMENT PANEL



WL1300212

Figure 28

Gauges

Reference Number	Description
1	Speedometer

Reference Number	Description
2	Multifunction Display

Warning and Indicator Lights

Reference Number	Description
3	Left Turn and Hazard Warning Light
4	Parking Brake Indicator Light
5	Right Turn and Hazard Warning Light
6	Brake Fluid Pressure Warning Light
7	Auto Grease Fault Indicator Light (Optional)

Reference Number	Description
8	Air Cleaner Clogged Warning Light
9	High Beam Indicator Light
10	Emergency Steering Indicator Light (Optional)
11	Mirror Heater Indicator Light
12	Work Light Indicator Light

IMPORTANT

All gauge and warning lights (except for the turn lights, high beam light, work lights and transmission cutoff light) turn "ON" for two seconds with a warning buzzer sound when the starter switch is turned to "I" (ON) position.

If any light fails to turn "ON", check the cause and replace.

Password Activated

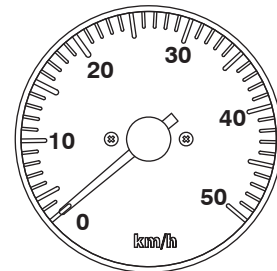
If a password has already been set and the system has been "LOCKED", the password display will appear on the screen once the function check has been completed. Enter the password into the text area and then engage the starter.

NOTE: Refer to "Set Password (Lock and Unlock)" on page 2-41, for further details.

If the password does not match the stored password, the engine will not start.

1. Speedometer

This meter displays speed at which the machine is traveling.

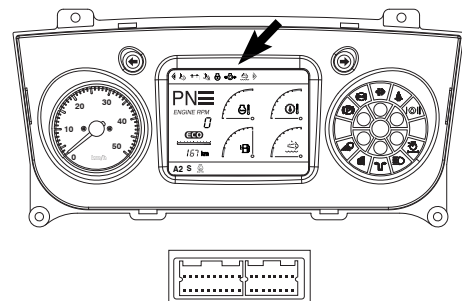


FG004182

Figure 29

2. Multifunction Gauge and Graphic Information Display

(See page 2-24) This section will have a more in-depth explanation of the display area.



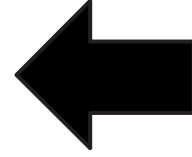
FG019107

Figure 30

3. Left Turn and Hazard Warning Light

This light blinks when left turn signal is turned "ON". Both turn signal lights blink when hazard warning light switch is turned "ON".

NOTE: *If left and right turn indicators blink together, or if they blink faster than normal, a light bulb is not operating or flasher solenoid is damaged. Repair or replace as necessary.*



FG004173

Figure 31

4. Parking Brake Indicator Light

This indicator light will turn "ON" when the parking brake is "APPLIED". If vehicle is moved while parking brake is applied, a warning alarm will sound.



WARNING

AVOID DEATH OR SERIOUS INJURY

If the machine is moved while this light is turned "ON", it could cause premature wear or damage the brake system.

Always "RELEASE" parking brake and make sure this light is "OFF" before operating machine.



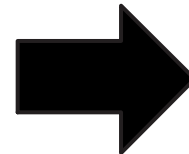
0717A

Figure 32

5. Right Turn and Hazard Warning Light

This light blinks when right turn signal is turned "ON". Both turn signal lights blink when hazard warning light switch is turned "ON".

NOTE: *If left and right turn indicators blink together, or if they blink faster than normal, a light bulb is not operating or flasher solenoid is damaged. Repair or replace as necessary.*



FG004174

Figure 33

6. Brake Fluid Pressure Warning Light

This warning light will turn "ON" when pressure drops in brake fluid circuit. When light turns "ON", an alarm also sounds.



AVOID DEATH OR SERIOUS INJURY

Never operate machine when this light is "ON" or when alarm is sounding. Always check for cause of drop in brake fluid pressure, and repair problem before operating machine.

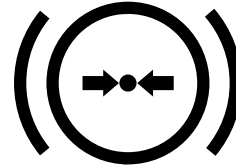


Figure 34

HA002024

7. Auto Grease Fault Indicator Light (Optional)

This warning light will turn "ON", when auto grease system has two kinds of problems, lack of lubricants in the pump reservoir or blockage in the system.



Figure 35

WL1300101

8. Air Cleaner Clogged Warning Light

This warning light will turn "ON" when dirt has built up in air filter, and is beginning to restrict airflow. Clean or replace air filter before continuing to operate machine. To turn indicator light "OFF", turn starter switch "OFF" and then back "ON".

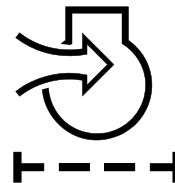


Figure 36

HAOA660L

9. High Beam Indicator Light

This indicator light will turn "ON" when the headlights are turned to "HIGH BEAM".



Figure 37

10. Emergency Steering Indicator Light (Optional)

This indicator light will turn "ON" when the emergency steering system is activated because of a hydraulic failure. Immediately stop the machine, "ENGAGE" parking brake, and stop engine.



WARNING

AVOID DEATH OR SERIOUS INJURY

If the emergency steering indicator light turns on while operating, immediately stop operation. Inspect and repair system before continuing to operate machine.

NOTE: *The light will also turn "ON" when the system is being tested.*

11. Mirror Heater Indicator Light

This indicator light will turn "ON" when the mirror heater is activated.



FG004184

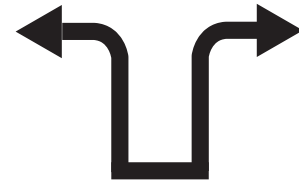
Figure 39

12. Work Light Indicator Light

This indicator light will turn "ON" when the front and/or rear work lights are activated.



Figure 40



AJO0450L

Figure 38

MULTIFUNCTION GAUGE AND GRAPHIC INFORMATION DISPLAY

Multifunction Gauge and Graphic Information Display Switches

By using a combination of the selector buttons, you can review and set the contents of the multifunction gauge and graphic information display screen. Items such as: language, time, filter/oil information can be checked. If necessary, set with new information.

The buttons are located on the front panel. Refer to the following picture and (See page 2-6) in this manual.



Figure 41

WL1300331

1. Up Arrow Button

Up arrow (▲) button is used to move a menu item "UP" or to "LEFT".



Figure 42

FG019322

2. Down Arrow Button


Down arrow (▼) button is used to move a menu item "DOWN" or to "RIGHT".



Figure 43

FG019323

3. Display Selector Button (ESC - Escape)


Display selector () button is used as a menu/exit button, it is used to access to main menu or return to a previous screen from each submenu.

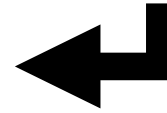


FG015189

Figure 44

4. Selector Button

SELECTION () button is used to set a menu or clear the operating hour of filter/oil.

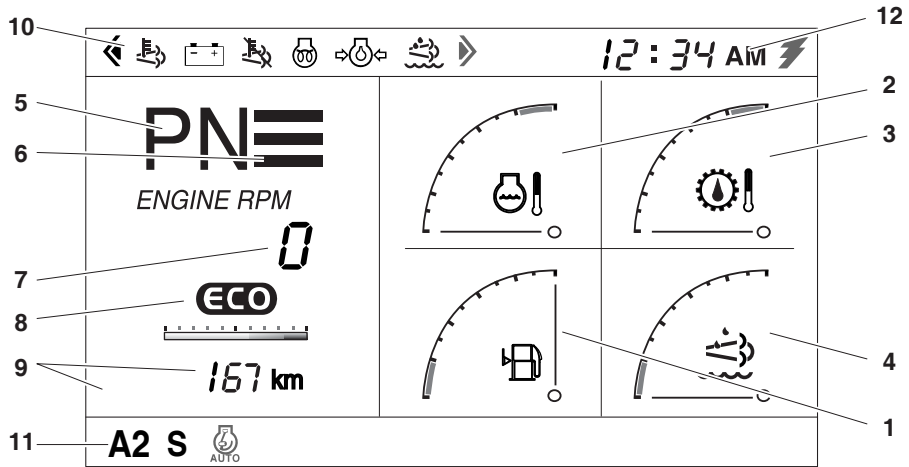


FG019324

Figure 45

Multifunction Gauge and Graphic Information Display

A multifunction display is in the gauge panel on dash. The LCD indicates, gears, direction of travel, error codes, and activated kick-down.



FG019108

Figure 46

Reference Number	Description
1	Fuel Gauge
2	Engine Coolant Temperature Gauge
3	Transmission Oil Temperature Gauge
4	DEF (AdBlue) Level Gauge
5	Transmission Actual Gear
6	Transmission Select Gear

Reference Number	Description
7	Engine Speed
8	ECO Bar
9	Multifunction Display
10	Display Warning Symbols
11	Indicator Symbols
12	Digital Clock

1. Fuel Gauge

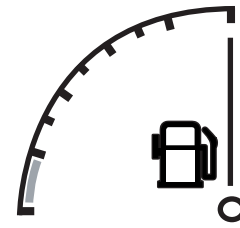
Shows remaining fuel quantity in tank.

WHITE ZONE (□) - Indicates a normal fuel quantity.

RED ZONE (■) - Indicates that fuel level is low.

If gauge pointer moves into red zone, fuel level symbol will turn "ON" and be displayed on screen. Stop operation and immediately add fuel.

Check fuel level on firm and level ground.



FG019109

Figure 47

2. Engine Coolant Temperature Gauge

The colored bands indicate temperature of engine coolant.

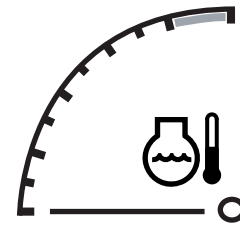
WHITE ZONE (□) - Indicates temperature is within normal operating range.

RED ZONE (■) - Indicates temperature is too high.

During operation, pointer must be in white zone.

If gauge pointer moves into red zone, engine coolant temperature warning light will turn "ON" and engine speed will be automatically reduced. Allow engine to run at "LOW IDLE" until temperature gauge registers in white zone again. When white zone is reached, allow engine to idle for an additional three - five (3-5) minutes before stopping engine. If not allowed to idle, heat surge may develop which will damage engine. Allowing engine to idle will dissipate heat. Check coolant level, look for a loose fan belt, inspect for debris around radiator, etc. before continuing to operate.

When temperature reaches normal range, engine speed will automatically recover.



FG019110

Figure 48

3. Transmission Oil Temperature Gauge

The colored bands indicate temperature of transmission oil.

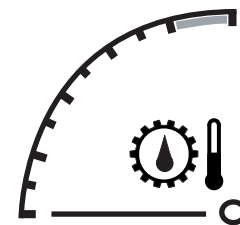
WHITE ZONE (□) - Indicates temperature is within normal operating range.

RED ZONE (■) - Indicates temperature is too high.

During operation, pointer must be in white zone.

If gauge pointer moves into red zone, transmission oil temperature symbol will turn "ON" and be displayed on the in screen. Allow engine to run at "LOW IDLE" until temperature gauge registers in white zone again.

NOTE: See "10. Display Warning Symbols" on page 2-28, for location of this warning symbol and others.



FG019111

Figure 49

4. DEF (AdBlue) Level Gauge

Shows remaining DEF (AdBlue) quantity in DEF (AdBlue) tank.

WHITE ZONE (□) - Indicates a normal DEF (AdBlue) quantity.

RED ZONE (■) - Indicates that DEF (AdBlue) level is low.

If gauge pointer moves into red zone, SCR gauge symbol will turn "ON", and be displayed on screen. Stop operation and immediately add DEF (AdBlue).

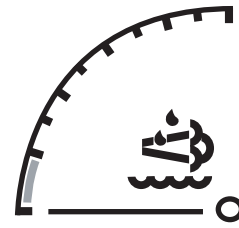


Figure 50

FG019112

5. Transmission Actual Gear

Indicates travel direction and gear selection. First number displays gear, and letter displays travel direction.



Figure 51

FG019113

6. Transmission Select Gear

Indicates gear range of transmission lever.



Figure 52

FG019114

7. Engine Speed

The engine speed is numerically displayed.



Figure 53

FG014225-1

8. ECO Bar

- A. ECO symbol: shows workload when using equipment.
- Green color: green colored ECO symbol indicates that equipment is in normal operating condition.
 - Amber color: amber colored ECO symbol indicates that equipment is under a small load.
 - Red color: red colored ECO symbol indicates fast engine load or working with equipment under load.
 - Gray color: gray colored ECO symbol is displayed in cases other than the above 3 conditions.
- B. ECO Bar: shows average fuel efficiency for real-time-based operation.

A higher fuel consumption rate will drive this bar closer to maximum position.

- Green color gauge: fuel efficiency is in economy mode.
- Amber color gauge: fuel efficiency is in standard-power mode.
- Red color gauge: fuel efficiency is in power mode.



FG018119

Figure 54



FG019344

Figure 55

9. Multifunction Gauge

According to operator's choice, either trip meter, battery voltage, or total time of operation can be selected and displayed. Using UP (▲) / DOWN (▼) button, the operator can switch display selection in order of trip meter ↔ battery voltage ↔ total time of operation.

If the operator presses ESC button while instrument display is flashing, selection window disappears and previously selected item appears in display.

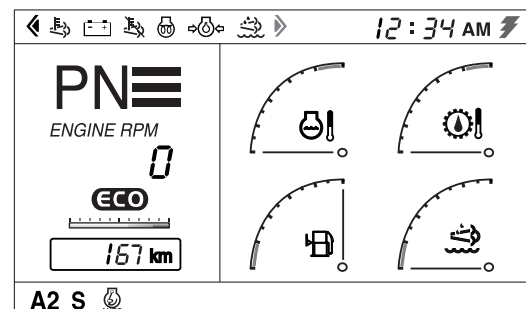
If the operator presses SELECTION (↵) button, for three (3) seconds while instrument display is flashing on trip meter, trip meter is reset to zero.

- A. Go to Instrument Display

Press DOWN (▼) button to move selection window to instrument display.

- B. Press SELECTION (↵) button

If the operator press SELECTION (↵) button, all data in instrument display will flash.

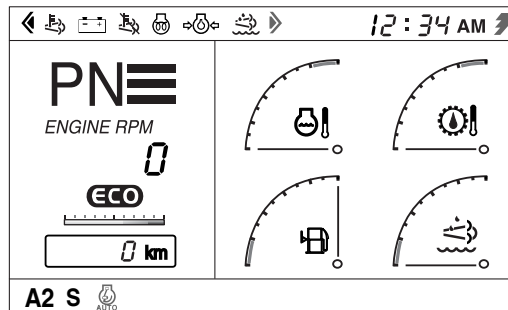


FG019116

Figure 56

C. Initializing trip meter

To reset trip meter to 0 km, press SELECTION (↵) button for three (3) seconds while instrument display is flashing.

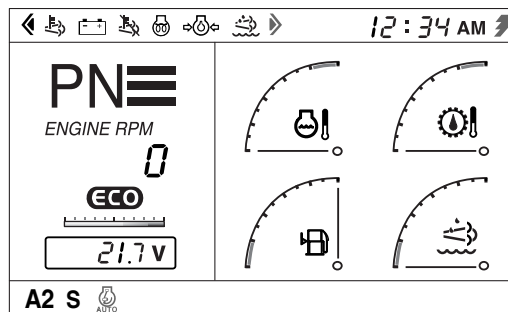


FG019117

Figure 57

D. Switching display to battery voltage

While instrument display is flashing and trip meter is displayed, press UP (▲) button to switch display to battery voltage. Enter change by pressing SELECTION (↵) button, or cancel change by pressing ESC button.

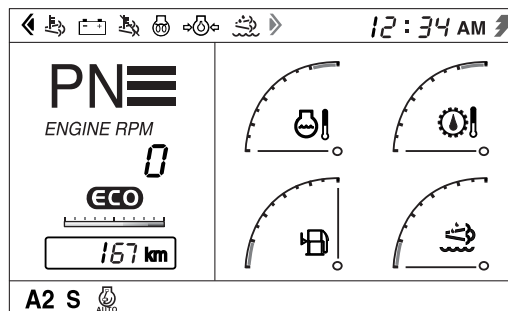


FG019118

Figure 58

E. Switching display to total time of operation

While instrument display is flashing and battery voltage is displayed, press UP (▲) button to switch display to total time of operation. Enter change by pressing SELECTION (↵) button, or cancel change by pressing ESC button.

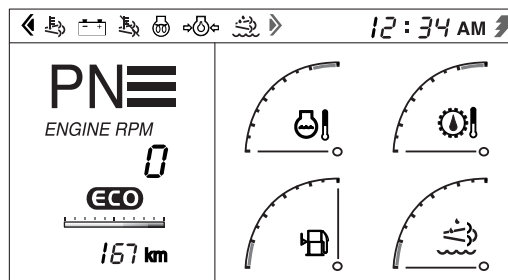


FG019116

Figure 59

10. Display Warning Symbols

Reference Number	Description
A	Charge Warning Symbol
B	Engine Oil Pressure Warning Symbol
C	Transmission Warning Symbol
D	Engine Warning Symbol
E	Water In Fuel Warning Symbol
F	DEF (AdBlue) Low Level Warning Symbol - EPA
G	SCR Failure Warning Symbol (Only EPA)



FG019119

Figure 60

A. Charge Warning Symbol

This symbol indicates when engine starter switch is turned "ON", and should go "OFF" after engine starts. If it does not turn "OFF", stop engine immediately and determine cause of problem.

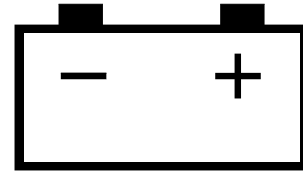


Figure 61

HAOA610L

B. Engine Oil Pressure Warning Symbol

This symbol indicates when engine starter switch is turned "ON", and should go "OFF" after engine starts. For example, if engine oil pressure becomes too low, symbol will turn "ON" and a warning buzzer will sound. If this happens, stop engine immediately and determine cause of problem. If you continue to work when this symbol is "ON", it will result in engine damage.

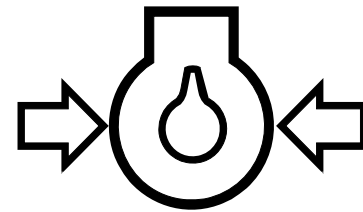


Figure 62

HAOA620L

IMPORTANT

If you continue to work when this symbol is "ON", it will result in engine damage.

C. Transmission Warning Symbol

This symbol indicates that transmission must be checked.

NOTE: *If this symbol turns "ON" stop machine and repair cause of the problem.*



Figure 63

FG019122

D. Engine Warning Symbol

This symbol indicates that engine needs to be checked.

NOTE: *If this symbol turns "ON", stop machine and repair cause of the problem.*



Figure 64

AQQ0040L

E. Water In Fuel Warning Symbol

This symbol indicates that water separator is full of water.

When this symbol appears, drain water from water separator as soon as possible.

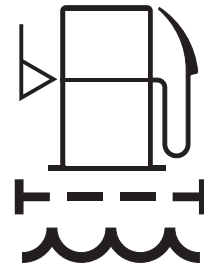


Figure 65

FG013744

F. DEF (AdBlue) Low Level Warning Symbol - EPA

Reductant Level	Warning Symbol	Torque Reduction*
20%	Constant symbol	
10%	Flashing 2 sec.	Torque is reduced by 1% per minute to 70% of highest torque
0%	Flashing 0.5 sec.	Torque is reduced to 0% (low idling) within 2-10 minutes

* Applies only to engines certified according to Tier 4.



Figure 66

FG019175

DEF (AdBlue) Low Level Warning Symbol - EU

Reductant Level	Warning Symbol	Torque Reduction*
20%	Constant symbol	None
0%	Flashing	None
* Applies only to engines certified according to Tier 4.		

G. SCR Failure Warning Symbol

This symbol indicates when SCR system needs to be checked.

NOTE: *If this symbol turns "ON", stop machine and repair cause of the problem.*

Time	Warning Symbol	Torque Reduction*
Fault detected	Constant symbol	
After 1 hour	Flashing 2 sec.	Torque is reduced by 1% per minute to 70% of highest torque
After 4 hours	Flashing 0.5 sec.	Torque is reduced to 0% (low idling) within 2-10 minutes
* Applies only to engines certified according to Tier 4.		



Figure 67

FG019176

Once the problem has been corrected and the engine control unit has received indication that it is working, torque will return to normal levels.

If a new problem occurs within 40 hours of operation since first problem, warning symbol will turn "ON". After 30 minutes of operation, warning symbol will flash rapidly and torque will be reduced to 0% (low idling) within 30 minutes.

IMPORTANT

If torque is reduced to 0% (low idling), engine control unit will not detect that SCR system is functioning again. A service technician must then reset system so normal torque levels can be obtained again.

NOTE: *Torque reduction applies only to engines certified according to Tier 4.*

11. Indicator Symbols

A. Transmission Shift Mode - Manual

When manual mode is selected, symbol is shown on lower part of screen.



FG019129

Figure 68

B. Transmission Shift Mode - Auto 1-4

When the Auto 1-4 mode is selected, the symbol is shown on lower part of screen.



FG019130

Figure 69

C. Transmission Shift Mode - Auto 2-4

When Auto 2-4 mode is selected, symbol is shown on lower part of screen.



FG019131

Figure 70

D. Engine Power Mode - Power

When power mode is selected, symbol is shown on lower part of screen.



FG019132

Figure 71

E. Engine Power Mode - Standard

When standard mode is selected, symbol is shown on lower part of screen.



FG019133

Figure 72

F. Engine Power Mode - Economy

When economy mode is selected, symbol is shown on lower part of screen.



FG019134

Figure 73

G. Auto Idle

When auto idle is operating, symbol is shown on lower part of screen.



AUTO

FG019135

Figure 74

H. 2nd Gear Mode

When 2nd gear is selected, symbol is shown on lower part of screen.

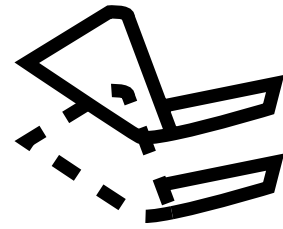


BSO0510L

Figure 75

I. Load Isolation System (LIS)

When LIS is operating, symbol is shown on lower part of screen.



FG019136

Figure 76

J. Torque Converter Lockup

When torque converter lockup is selected, symbol is shown on lower part of screen.

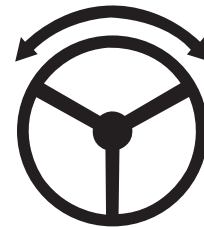


FG019137

Figure 77

K. Electric Steering

When electric steering is selected, symbol is shown on lower part of screen.

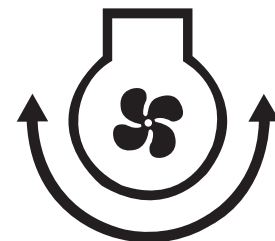


FG004186

Figure 78

L. Reverse Fan

When reverse fan is operating, symbol is shown on lower part of screen.

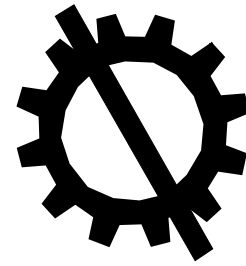


FG004185

Figure 79

M. Transmission Cutoff

When Transmission Cutoff is operating, symbol is shown on lower part of screen.

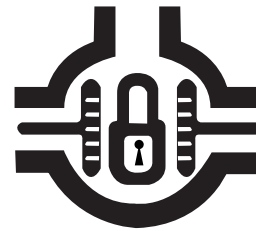


FG019138

Figure 80

N. Differential Hydraulic Lock (DHL)

When DHL is operating, symbol is shown on lower part of screen.



FG019139

Figure 81

O. Warm Up

When warm up is operating, symbol is shown on lower part of screen.



FG019353

Figure 82

12. Digital Clock

A digital clock, shows current time. The displayed contents are as follows.

Display	Description
HH	Hour
mm	Minute
AM (PM)	AM (PM)

Refer to “User Menu” on page 2-38 for time.

HH:mm AM/PM

FG019345

Figure 83

Warning Pop-up

When an alarm or warning is triggered, a pop-up appears to describe it.

The pop-up disappears when warning symbol has disappeared or ESC button is pressed.

For multiple warnings and/or alarms, press UP (▲) or DOWN (▼) button to select warning/alarm and read relevant message.

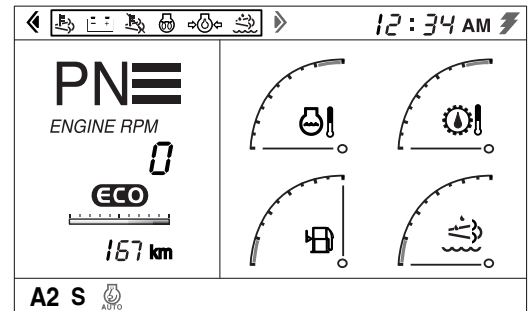


AVOID DEATH OR SERIOUS INJURY

If a warning pop-up appears, stop operation and check message. Do not read message while traveling or operating machine.

1. Go to Warning Display

Move selection window to warning display by pressing UP (▲) button.

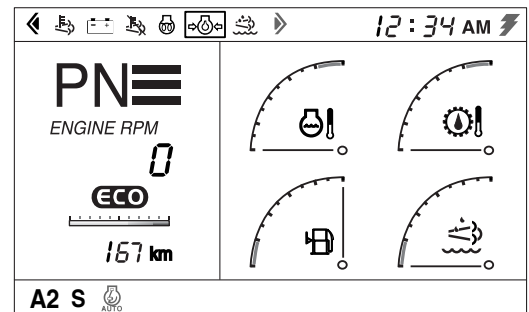


FG019125

Figure 84

2. Enter Checking Mode

Enter individual symbol checking mode by pressing SELECTION (↵) button.

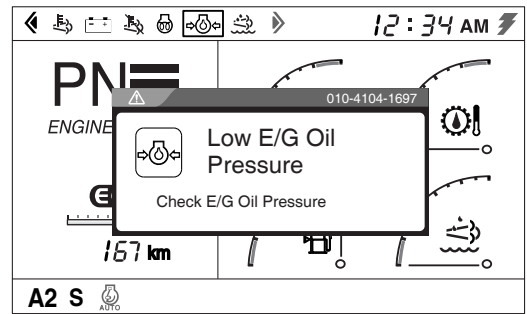


FG019126

Figure 85

3. Read Warning Message

Select warning symbol by pressing SELECTION (↵) button to read warning message.

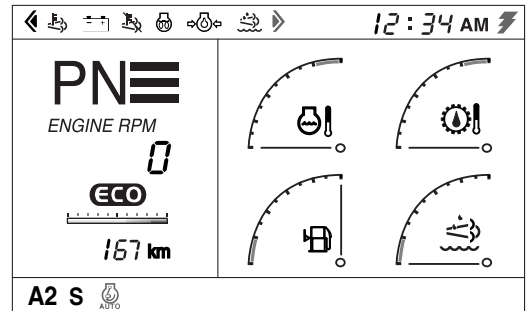


FG019127

Figure 86

4. Delete Warning Pop-up

Press ESC button to delete warning pop-up.



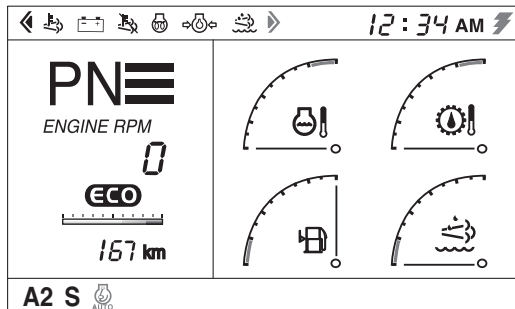
FG019128

Figure 87

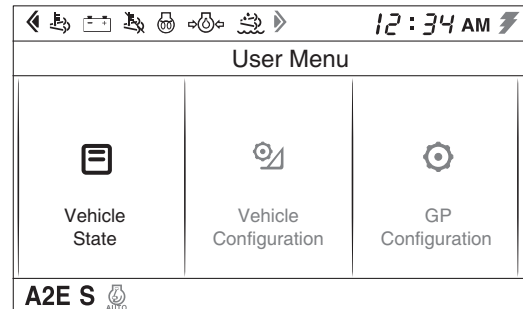
User Menu

Access Method

On normal display screen, press ESC button for 3 seconds to access user menu screen.



<Normal Indication Monitor>



<Main Menu Monitor>

WL1300778

Figure 88

Escape (ESC) Buttons

1. Press ESC button to move to normal display screen.
2. If 20 seconds have passed without operating a button, normal display screen will be displayed.
3. Turning "OFF" starter switch to cut off power, will return display screen to normal view.

User Menu

Press UP (▲) or DOWN (▼) button and move cursor to see a reversed display on desired menu. Then, press SELECTION (↵) button to select menu.

Vehicle State ↔ Vehicle Setup ↔ GP Setup

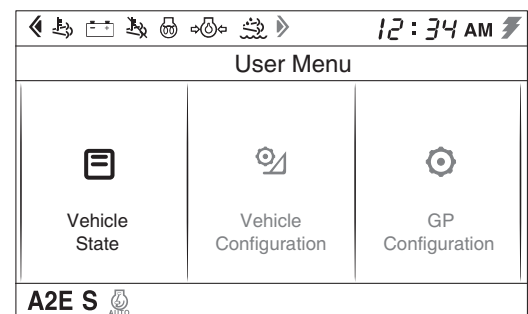
Press ESC button to return to previous screen.



WARNING

AVOID DEATH OR SERIOUS INJURY

Do not use buttons to change menu state when traveling or operating machine.



FG021925

Figure 89

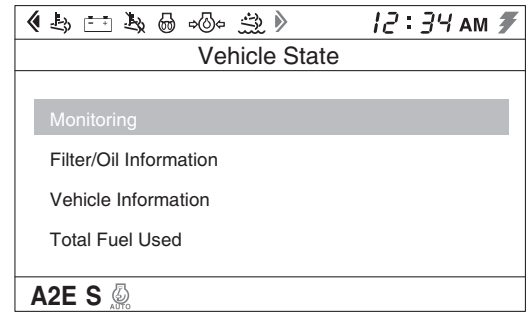
1. Vehicle State

This is used to check current Vehicle State, filter/oil information, vehicle information, total fuel used etc.

Press UP (▲) or DOWN (▼) button and move cursor to see a reversed display on desired menu. Then, press SELECTION (↵) button to select menu.

Monitoring ↔ **Filter/Oil Information** ↔ **Vehicle Information** ↔ **Total Fuel Used**

Press ESC button to return to previous screen.



WL1300754

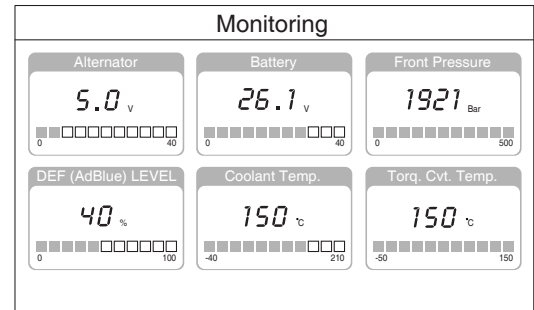
Figure 90

A. Monitoring

The monitoring screen displays information on vehicle pump pressure, voltage, fuel level, etc.

At Vehicle State, if cursor is placed on Monitoring, press SELECTION (↵) button to display Monitoring screen.

Press ESC button to return to previous screen.



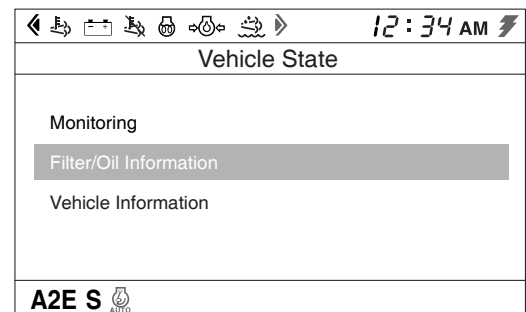
FG019144

Figure 91

B. Filter/Oil Information

The screen displays information on filter/oil use time, replacement period, and remaining time.

At Vehicle State, if cursor is placed on Filter/Oil Information, press SELECTION (↵) button to display filter/oil information.



FG019145

Figure 92

Reset Method/Replacement Period Change Method

Press UP (▲) or DOWN (▼) button to locate cursor to reset used time or change replacement period.

Press SELECTION (↵) button once to display "Change Period" screen.

Press UP (▲) or DOWN (▼) button to locate cursor at YES. Then, press SELECTION (↵) button to reset period.

NOTE: Press UP (▲) or DOWN (▼) button to locate cursor at NO. Then, press SELECTION (↵) button to allow pop-up window to disappear without resetting used time.





With selection screen being displayed on clear, press UP (▲) or DOWN (▼) button to display selection screen on replacement period.

Press SELECTION (↵) button to change selection screen. It may be flashing for a moment. Then, press DOWN (▼) button to reduce period. Press UP (▲) button to extend period.

When replacement period change has been completed, press SELECTION (↵) button to create a pop-up window to select period change.





Press UP (▲) or DOWN (▼) button to locate it at YES. Then, press SELECTION (↵) button to change replacement period.

NOTE: Press UP (▲) or DOWN (▼) button to locate it at NO. Then, press SELECTION (↵) button to allow pop-up window to disappear without changing replacement panel.

Filter/Oil Information	
 Fuel Filter	TIME: 5hr REMAIN: 495hr CHANGE: 500hr 1% CLR
 Air Cleaner	TIME: 5hr REMAIN: 995hr CHANGE: 1000hr 1% CLR
 E/G Oil Filter	TIME: 5hr REMAIN: 495hr CHANGE: 500hr 1% CLR
 E/G Oil	TIME: 5hr REMAIN: 495hr CHANGE: 500hr 1% CLR

FG019146

Figure 93

Filter/Oil Information	
 Fuel Filter	TIME: 5hr REMAIN: 495hr CHANGE: 500hr 1% CLR
 Air Cleaner	TIME: 5hr REMAIN: 995hr CHANGE: 1000hr 1% CLR
 E/G Oil Filter	TIME: 5hr REMAIN: 495hr CHANGE: 500hr 1% CLR
 E/G Oil	TIME: 5hr REMAIN: 495hr CHANGE: 500hr 1% CLR

Change Period?

YES NO

FG019147

Figure 94

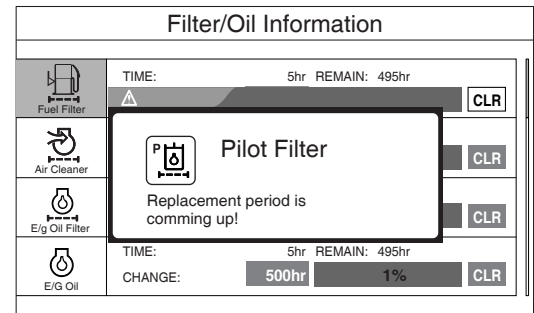
Symbol Description

Filter/Oil Name	Fuel Filter	Air Cleaner	E/G Oil Filter	Engine Oil	Axle Oil	Hydraulic Oil	Coolant	Return Filter	Pilot Filter	Transmission Oil	Transmission Oil Filter	DEF Filter
Icon												

WL1300168

Figure 95

If remaining time for filter/oil replacement is less than 10 hours, this pop-up window will be displayed. Press ESC button to make pop-up window disappear.

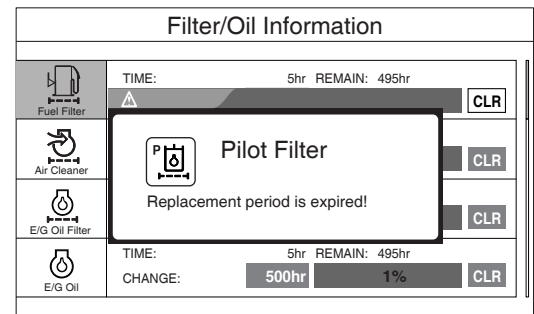


FG019148

Figure 96

If filter/oil replacement period is expired, this pop-up window will be displayed.

Press ESC button to make pop-up window disappear.



FG019149

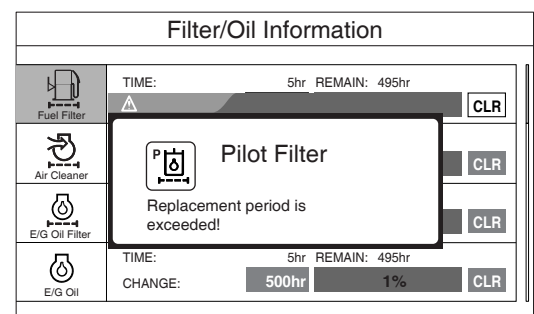
Figure 97

If filter/oil replacement period is exceeded, this pop-up window will be displayed. Press ESC button to make pop-up window disappear.

WARNING

AVOID DEATH OR SERIOUS INJURY

Do not use buttons to change Vehicle State menu when traveling or operating machine.



FG019150

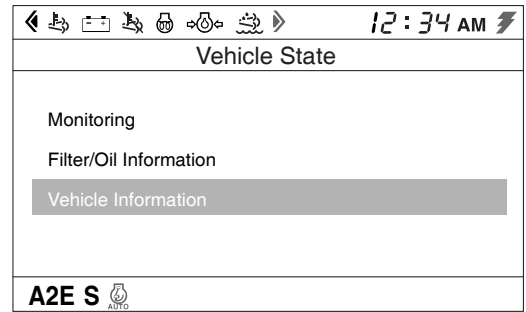
Figure 98

C. Vehicle Information

This is used to check vehicle name, engine type and serial number.

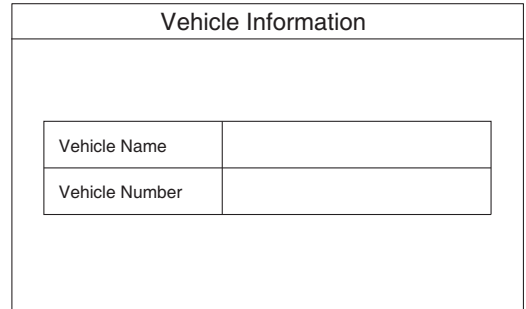
At Vehicle State, if cursor is placed on Vehicle Information, press SELECTION (↵) button to access Vehicle Information screen.

Click ESC button to return to previous screen.



FG019151

Figure 99

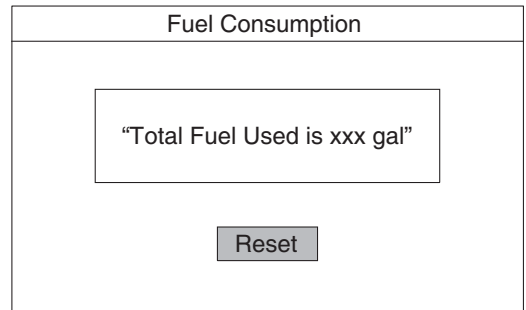


WL1300755

Figure 100

D. Total Fuel Used

This is used to check the total fuel used. It can be initialize when pressing the reset button below the screen.



WL1300789

Figure 101

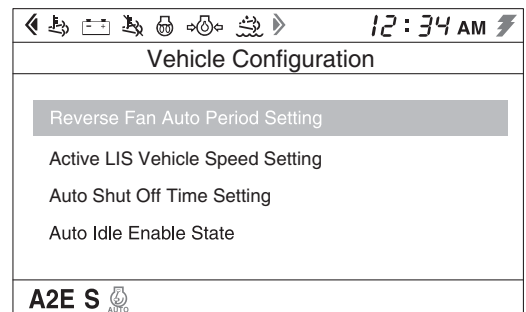
2. Vehicle Configuration

This is used when selecting functions such as auto idle enable and reverse fan auto period setting. Active LIS vehicle speed setting and auto shut off time setting.

Press UP (▲) or DOWN (▼) button and move cursor to see an reversed display on desired menu. Then, Press SELECTION (↵) button to select menu.

Reverse Fan Period Setting ↔ Active LIS Vehicle Speed Setting ↔ Auto Shut Off Time Setting ↔ Auto Idle Enable State

Press ESC button to return to previous screen.



WL1300756

Figure 102

A. Reverse Fan Auto Period Setting

"Reverse Fan Auto Period Setting" is used to set up period of time for reversing rotation direction of cooling fan.

In "Vehicle Setup" window, with cursor on "Reverse Fan Auto Period Setting" menu, press SELECTION (↵) button to enter "Reverse Fan Auto Period Setting" window.

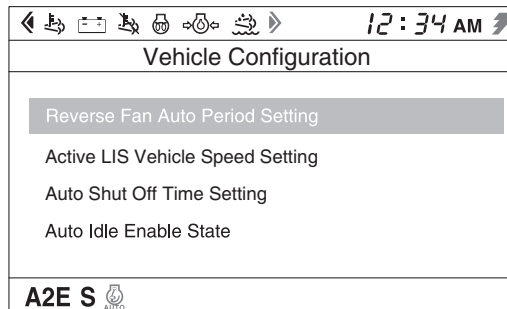
Move between period fields using UP (▲) or DOWN (▼) button. The available range of period is between 30 minutes and 2 hours.

30 min. ↔ 60 min. ↔ 90 min. ↔ 120 min.

In time list, if SELECTION (↵) button is pressed, a pop-up dialog will appear to confirm change to selected time period.

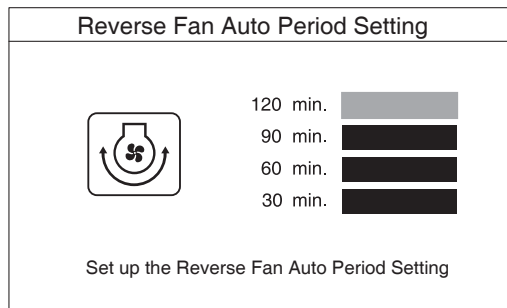
B. Active LIS Vehicle Speed Setting

"Active LIS Vehicle Speed Setting" is used to set up a vehicle speed for LIS function active. In "Vehicle Setup" window, with cursor on "Active LIS Vehicle Speed Setting" menu, press SELECTION (↵) button to enter "Active LIS Vehicle Speed Setting" window



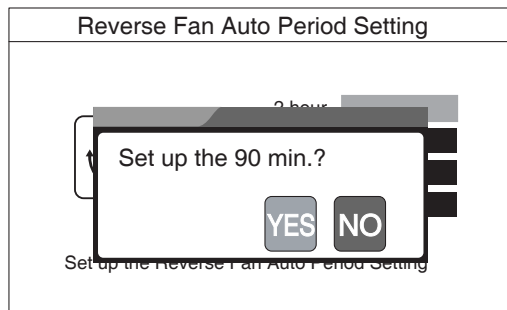
WL1300756

Figure 103



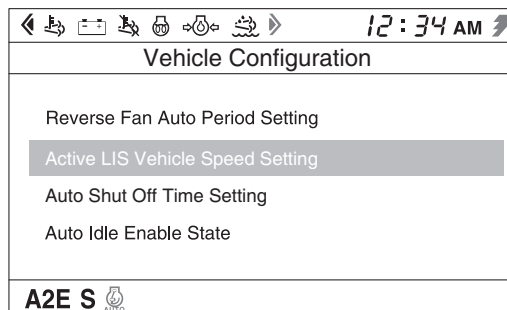
FG019158

Figure 104



FG019159

Figure 105

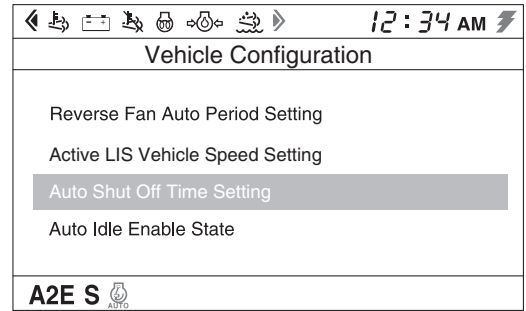


WL1300759

Figure 106

C. Auto Shut Off Time Setting

"Auto Shut Off Time Setting" is used to set up a time for auto shut off function. In " Vehicle Setup" window, with cursor on "Auto Shut Off Time Setting" menu, press SELECTION (↵) button to enter "Auto Shut Off Time Setting" window



WL1300760

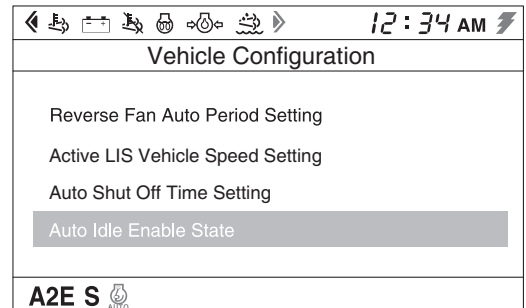
Figure 107

D. Auto Idle Enable/Disable State

"Auto Idle" window is used to "ENABLE" or "DISABLE" auto idle function.

In "Vehicle Setup" window, with cursor on "Auto Idle Enable or Disable" menu, press SELECTION (↵) button to go to "Auto Idle Enable or Disable" window.

Press ESC button to return to previous window.

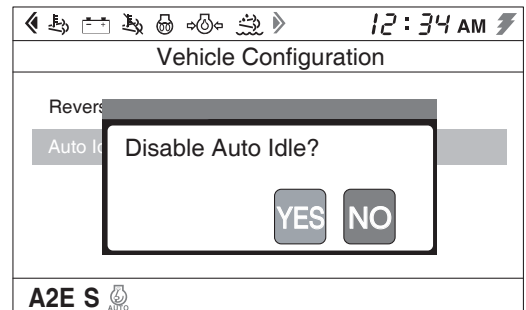


WL1300761

Figure 108

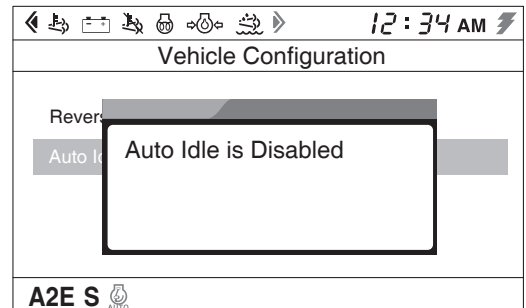
Auto Idle Setting Procedure:

- With cursor on "Auto Idle" setting menu, press SELECTION (↵) button. A pop-up window asking "Disable Auto Idle?" will appear. The user can change setting using UP (▲) or DOWN (▼) button and make selection with SELECTION (↵) button.
- Auto idle disable can be changed with same method described above.
- Pressing ESC button cancels change and removes pop-up window.
- When change has been completed, a pop-up display reading "Auto Idle is Disabled" will appear for 3 seconds, and menu list will be changed according to selected setting.
- **Auto Idle Enable State ↔ Auto Idle Disable State**



WL1300779

Figure 109



WL1300780

Figure 110

3. GP Configuration

This menu is used to set up; password, brightness, default screen and time, and to input service phone number. Press UP (▲) or DOWN (▼) button and move cursor to see a reversed display on desired menu. Then, press SELECTION (↵) button to select menu.

Password Setting ↔ Screen Brightness Setting ↔ Default Screen Setting ↔ Time Setting ↔ Service Phone Number Setting ↔ Unit Setting ↔ Language Setting ↔ Notification Setting

Press ESC button to return to previous screen.

A. Password Setting

On "GP Setup" screen, when cursor is placed on "Password Setting", press SELECTION (↵) button to display screen brightness setting.

This function is used to set up a user password.

If password setting function is used, password must be correctly input to operate vehicle normally.

On "Password Setting" screen, when cursor is placed on password setting, press SELECTION (↵) button to display password input screen that was set up at factory. The initial password is set to "1111".

If you have changed the password, you should input the new password you have chosen.

IMPORTANT

If password input errors have been made three (3) times in a row, screen will move to default screen. After that, starting will be locked for 10 minutes.

How to Input Password:

- Press UP (▲) or DOWN (▼) button and select numbers of 0 - 9 at bottom. Then, press SELECTION (↵) button and input a password.
- If you erroneously input a password, select (←) key at right bottom and press SELECTION (↵) button to delete input password.
- On Password Setting screen, input a password to display a screen to select application of function (lock), non-application (unlock) and password change.

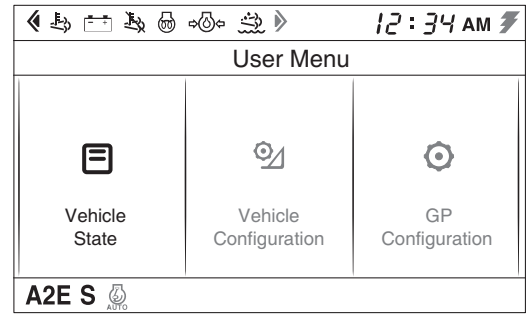


Figure 111

FG021925

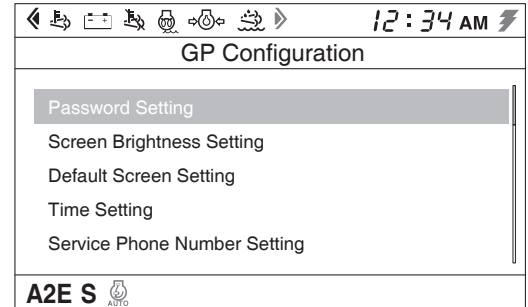


Figure 112

WL1300781

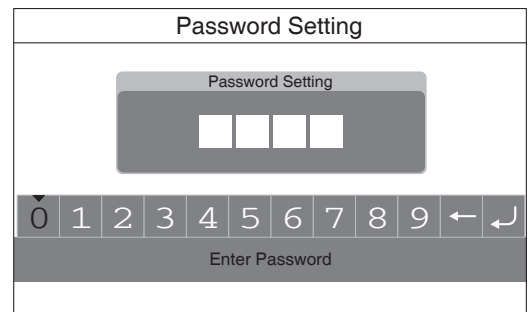


Figure 113

FG019188

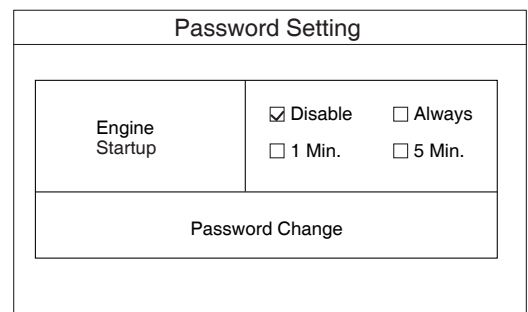
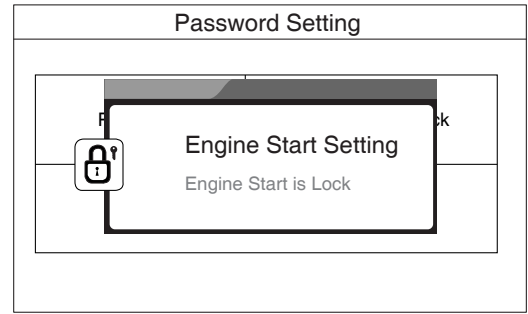


Figure 114

FG019189

- Press UP (▲) or DOWN (▼) button and move cursor to a menu item. Then, press SELECTION (↵) button to move to relevant function or a selected screen.
- Press ESC button to return to previous screen.
- Select lock (applied) or unlock (not applied) in Password Setting to enable or disable password setting function accordingly.
- If you select lock (applied) in Password Setting, this pop-up window will appear to confirm lock setup and then will automatically disappear in 3 seconds.

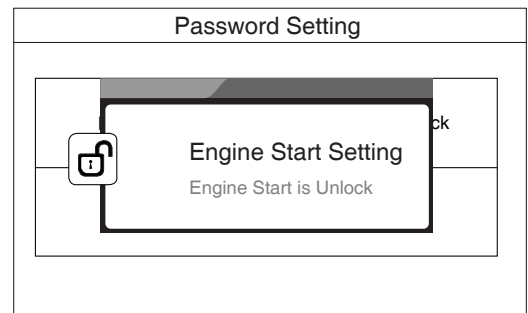


FG019190

Figure 115

If you select unlock (not applied) in Password Setting, this pop-up window will appear to confirm unlock setup and then will automatically disappear in three (3) seconds. To change password, change it on Password Setting screen according to the following procedure:

- Select password change.
- Input a new four-digit password (repeat it twice).
- On Password Setting screen, select lock (applied) or unlock (not applied).



FG019191

Figure 116

IMPORTANT

Be careful not to forget your password.

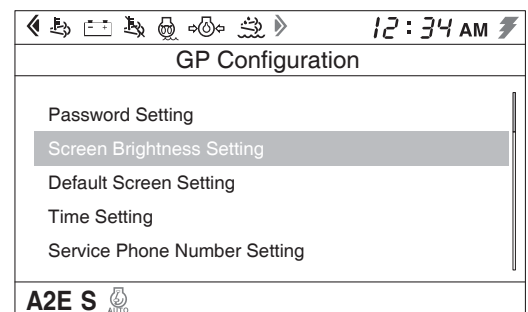
If you have forgotten your password, contact a DOOSAN distributor.

B. Screen Brightness Setting

On "GP Setup" screen, when cursor is placed on "Screen Brightness Setting", press SELECTION (↵) button to display screen brightness setting.

To change screen brightness, select screen brightness setting to display brightness adjustment screen.

Press UP (▲) or DOWN (▼) button and adjust brightness from 10 - 100% at intervals of 10%.

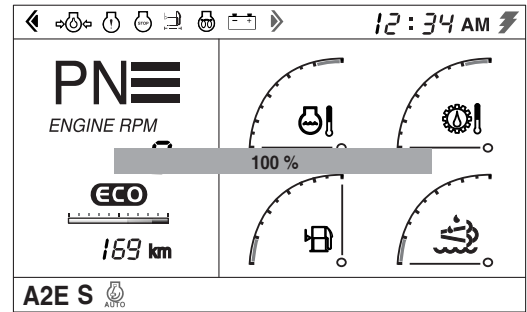


WL1300782

Figure 117

NOTE: The screen brightness is set as 80% at factory.

Press ESC button to return to previous screen.



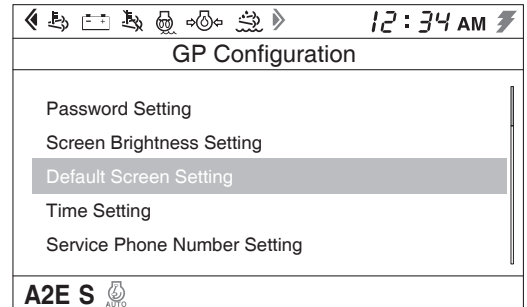
FG019193

Figure 118

C. Default Screen Setting

On "GP Setup" screen, when cursor is placed on "Default Screen Setting", press SELECTION (↵) button switch to access default screen setting.

On default screen setting, press UP (▲) or DOWN (▼) button and locate cursor at a desired style. Then, press SELECTION (↵) button to select style.

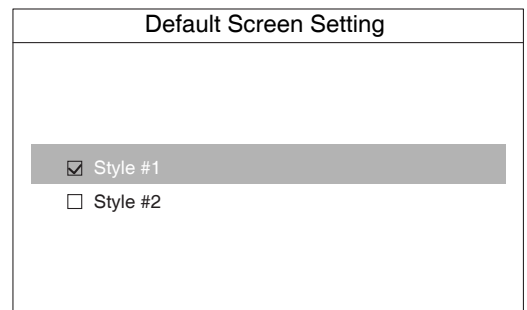


WL1300783

Figure 119

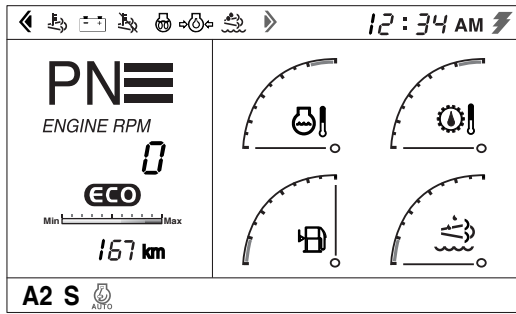
The selected style screen is displayed as normal display screen.

The screen is set as Style #1 at factory.

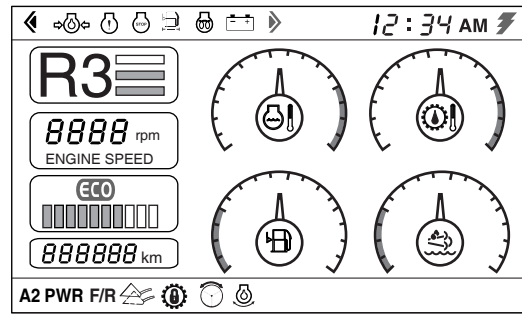


FG019195

Figure 120



<Style #1>



<Style #2>

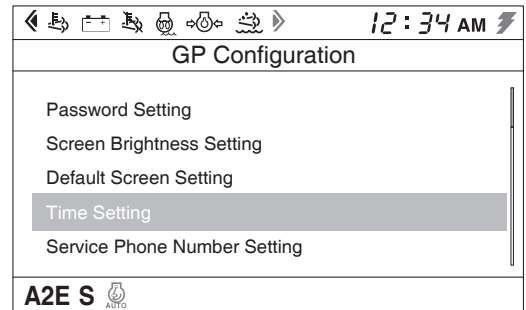
FG019196

Figure 121

D. Time Setting

On "GP Setup" screen, when cursor is placed on "Time Setting", press SELECTION (↵) button to access time setting.

Press UP (▲) or DOWN (▼) button and move cursor to a menu item. Then, press SELECTION (↵) button to change target.



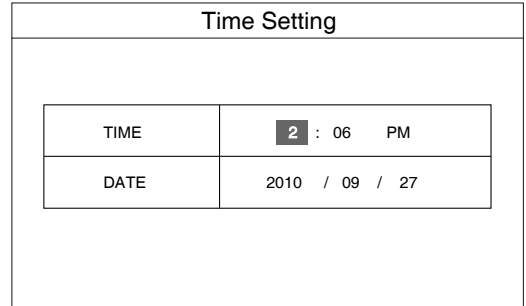
WL1300784

Figure 122

Press UP (▲) or DOWN (▼) button to change numbers of each item.

If setup is completed, press SELECTION (↵) button to store setup details.

Press ESC button to return to previous screen.

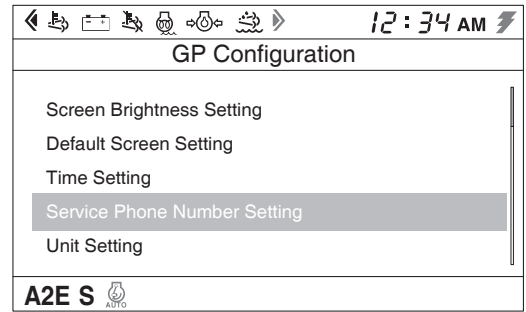


FG018538

Figure 123

E. Service Phone Number Setting

On "GP Setup" screen, when cursor is placed on "Service Phone Number Setting", press SELECTION (↵) button to access Service Phone Number Setting.

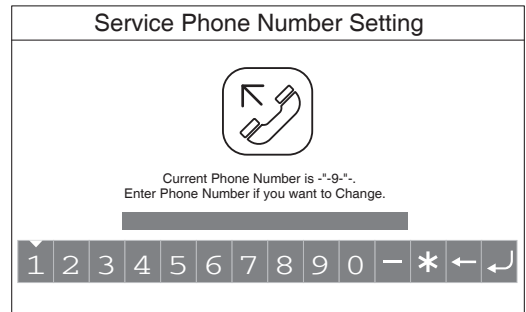


WL1300785

Figure 124

Press UP (▲) or DOWN (▼) button and locate cursor at a desired number. Then, press SELECTION (↵) button to input number. If number input is completed, press (↵) key to enter input phone numbers.

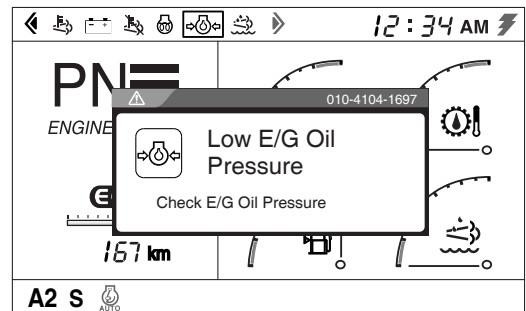
Use (←) key and delete erroneously input numbers.



FG019200

Figure 125

When you input service phone numbers, if warning/ alarm is given, check input phone numbers in pop-up window.

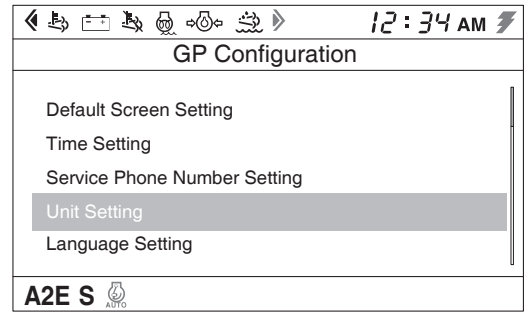


FG019127

Figure 126

F. Unit Setting

On "GP Setup" screen, when cursor is placed on "Unit Setting", press SELECTION (↵) button to access Unit Setting.



WL1300786

Figure 127

On Unit Setting screen, change units of temperature, pressure, distance, date and volume. The following values are factory settings:

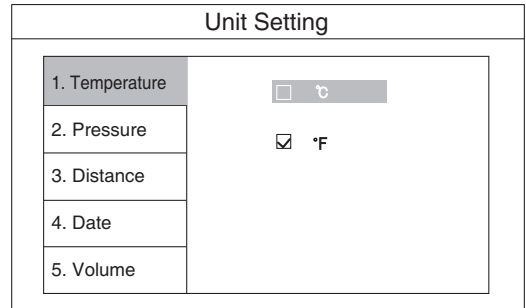
Temperature: °C

Pressure: bar

Distance: km

Date: yy/mm/dd

Volume: l, l/h

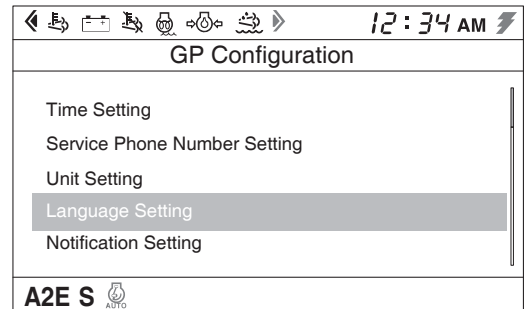


WL1300762

Figure 128

G. Language Setting

On "GP Setup" screen, when cursor is placed on "Language Setting", press SELECTION (↵) button to access Language Setting.



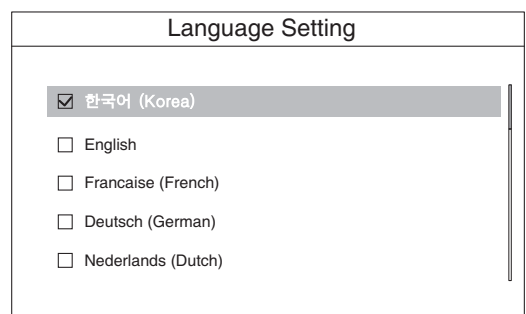
WL1300787

Figure 129

On Language Selection screen, press UP (▲) or DOWN (▼) button and move cursor to select a language. Then, press SELECTION (↵) button to select language.

Press ESC button to return to previous screen.

| Language |
|--------------------------------------------------------------------------------------------------------------------------------------------------------------------------------------------------------------------------|
| Korean, English, Chinese, Persian, Turkish, Indonesian, Polish, Arabic, Russian, Thai, Hindi, Japanese, French, German, Nederlands, Italian, Portuguese, Spanish, Finnish, Swedish, Norwegian, Danish, Vietnamese, Greek |

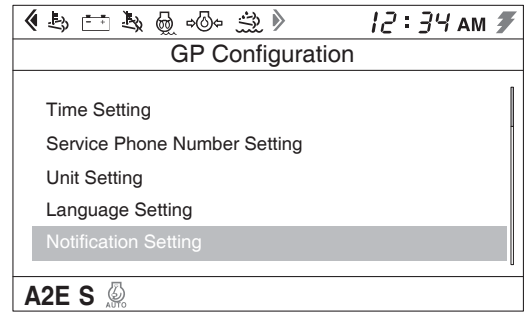


WL1400101

Figure 130

H. Notification Setting

On "GP Setup" screen, when cursor is placed on "Notification Setting", press SELECTION (↵) button to access Notification Setting.



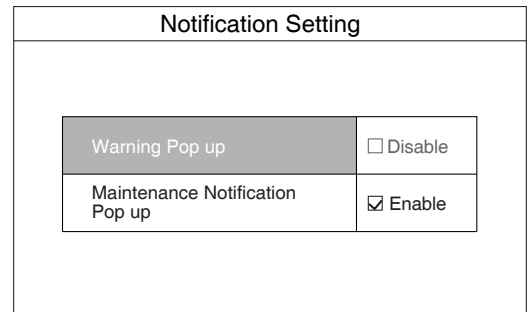
WL1300788

Figure 131

Depending on Notification Setting screen details, pop-ups are created or not created on main screen when warning is issued, when switch is operated, and when supply replacement period expires.

On Notification Setting screen, press UP (▲) or DOWN (▼) button and move cursor to a desired location. Then, press SELECTION (↵) button to select Enable or Disable.

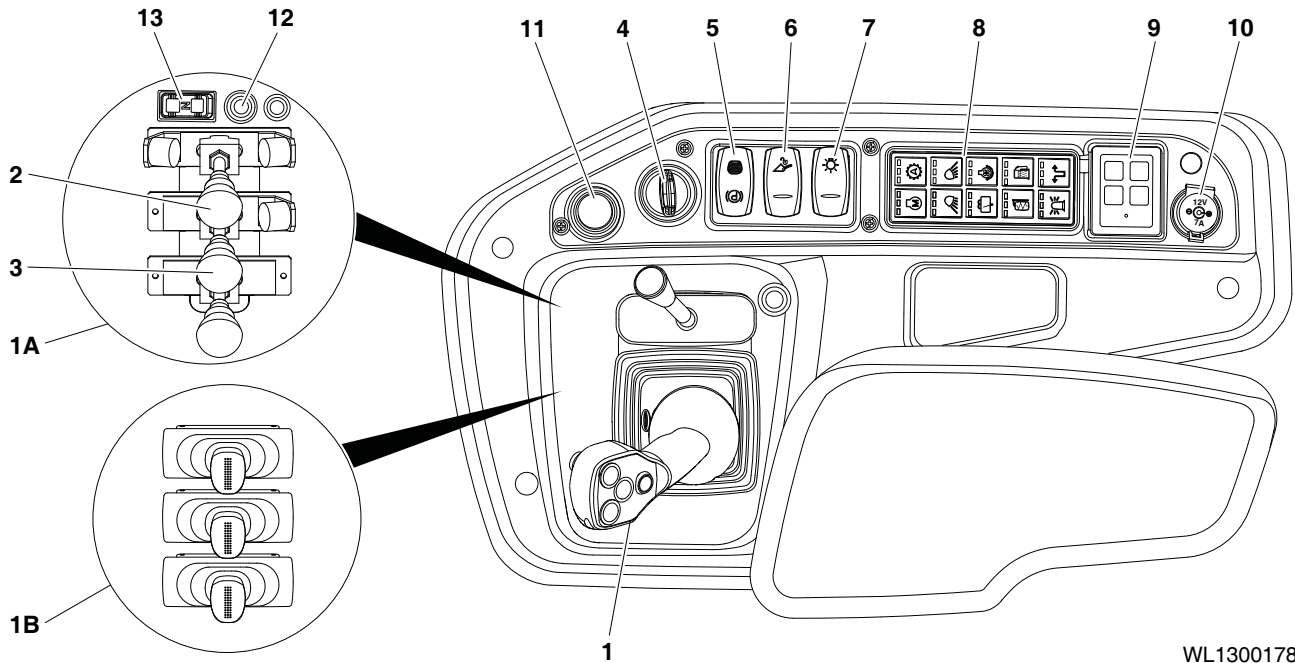
Only Warning Pop-up is enabled as a default setting.



FG019205

Figure 132

RIGHT SIDE SWITCH PANEL



WL1300178

Figure 133

| Reference Number | Description |
|------------------|-----------------------------------------------------------|
| 1 | FNR Lever (Standard) |
| 1A | Finger Tip Lever (Optional) |
| 1B | Pilot Control Valve Lever (Electric. Joystick) (Optional) |
| 2 | Kick-down Button |
| 3 | Horn Button |
| 4 | Starter Switch |
| 5 | Parking Brake Switch |
| 6 | Pilot Cutoff Switch |

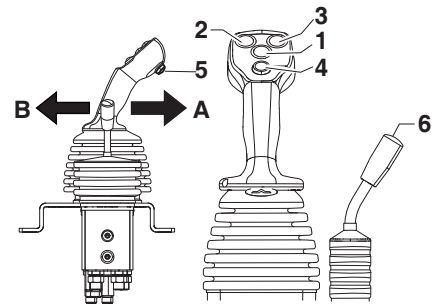
| Reference Number | Description |
|------------------|---------------------------------------|
| 7 | Headlight Switch |
| 8 | Stand Keypad |
| 9 | Hand-free Control Panel |
| 10 | Power Socket for 12 Volt |
| 11 | Cigarette Lighter |
| 12 | F/R (Forward/Reverse) Selector Switch |
| 13 | F/R (Forward/Reverse) Control Switch |

1. FNR Lever (Standard)

If machine is equipped with log forks this lever controls boom, bucket and log forks.

This lever is used to position bucket and boom. This lever is capable of raising or lowering boom, and crowding or dumping bucket. When machine is being driven, lever (joystick) can be "LOCKED" out, to prevent any movement of bucket or boom. To "LOCK" out lever (joystick), place pilot cutoff switch in "LOCKED" position.

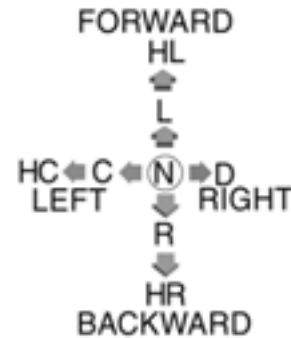
Pilot control valve lever (joystick) operating pattern and description of operation.



FG019207

Figure 134

| | | | |
|---------------------------------------|------------------------|-------------------------------------|-------------------------------------|
| | | | HL. Hold lever in Lower Mode |
| | | L. Lower | |
| HC. Hold lever in Bucket Crowd | C. Bucket Crowd | N. Neutral | D. Bucket Dump |
| | | R. Raise | |
| | | HR. Hold lever in Raise Mode | |



FG021590

Figure 135

The buttons on this lever (Figure 134) are capable of controlling the following functions:

1. Neutral Button

When this button is pressed, 2nd gear function will be operational, and 2nd gear indicator light turns "ON".

When this button is pressed again, 2nd gear function is turned "OFF", and machine is returned to "NEUTRAL".
2. Forward Button

When this button is pressed for forward travel at same time as "KD" (5, Figure 134) button is pressed, machine can travel forward. When machine is driven, it can change travel direction without pressing "KD" (5, Figure 134) button.
3. Reverse Button

When this button is pressed for reverse travel at same time as "KD" (5, Figure 134) button is pressed, machine can travel in reverse. When machine is driven, it can change travel direction without pressing "KD" (5, Figure 134) button.
4. Horn Button
257)
5. Kick-down Button
256)

NOTE: To operate 2nd gear function.

- Start engine.
- Check that transmission lever is neutral.
- Parking brake switch is off (release).

NOTE: Release condition of 2nd gear function.

- When transmission lever will be pushed forward or pulled into reverse.
- When parking brake switch turns "ON".
- When starter switch turns "OFF".

6. Log Fork Control Lever

- A. When log forks control lever (6, Figure 134) is pushed forward, log forks are allowed to open.
- B. When log forks control lever (6, Figure 134) is pulled back, log forks are allowed to close.

1A. Finger Tip Lever (Optional)

Move left control lever forward (2, Figure 136) to dump bucket, or rearward (4, Figure 136) to roll back bucket.

Move right control lever forward (3, Figure 136) to lower boom or rearward (5, Figure 136) to raise boom.

Float (right lever in full forward detent position (1, Figure 136)): This position allows oil flow in and out both ends of cylinders so bucket can follow contour of ground. Manually release lever from position.

Return-to-Dig (left lever in full rearward detent position (6, Figure 136)): Bucket will return to set dig position.

Boom Height Kick-out right lever in full rearward detent position (7, Figure 136): Lever will remain in this position until boom is at a preset height, then will return to neutral automatically.

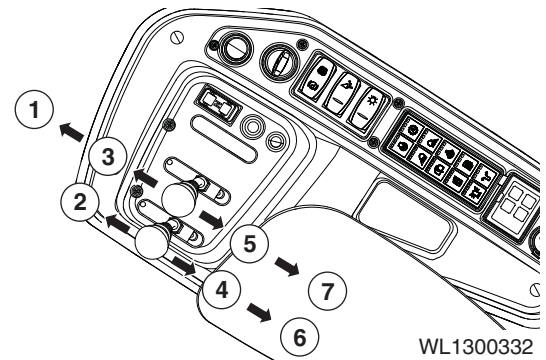
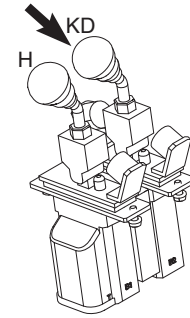


Figure 136

| Reference Number | Description |
|------------------|----------------------|
| 1 | Boom Float |
| 2 | Bucket Dump |
| 3 | Boom Lower |
| 4 | Bucket Crowd |
| 5 | Boom Raise |
| 6 | Bucket Return To Dig |
| 7 | Boom Height Kick-out |

A. 2-Lever

- 1) Horn Button
 - H: Horn Button
- 2) Kick-down
 - KD: Kick-down Switch



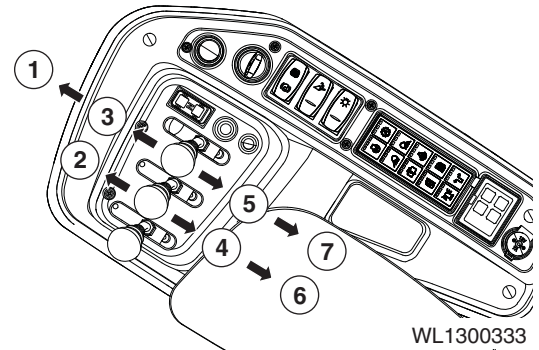
FG023251

Figure 137

B. 3-Lever (Optional)

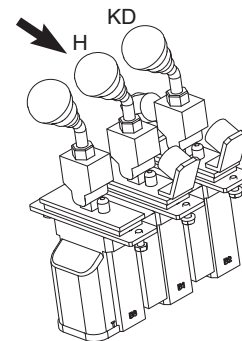
- 3) Horn Button
 - H: Horn Button
- 4) Kick-down
 - KD: Kick-down Switch

| Reference Number | Description |
|------------------|----------------------|
| 1 | Boom Float |
| 2 | Bucket Dump |
| 3 | Boom Lower |
| 4 | Bucket Crowd |
| 5 | Boom Raise |
| 6 | Bucket Return To Dig |
| 7 | Boom Height Kick-out |



WL1300333

Figure 138



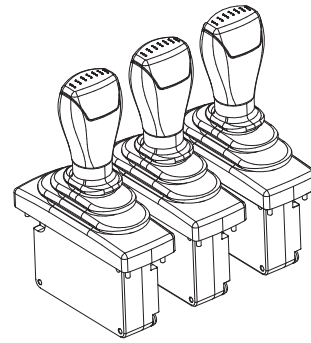
FG023252

Figure 139

1B. Pilot Control Valve Lever (Electric Lever) (Optional)

Electric lever function has same control as a hydraulic controlled levers.

“1. FNR Lever (Standard)” on page 2-53



FG019356

Figure 140

2. Kick-down Button (Two Places)

Kick-down Button Function - when transmission is in 2nd gear, pressing this button (Figure 141) will shift transmission into 1st gear. This will allow operator to perform a quick digging movement.

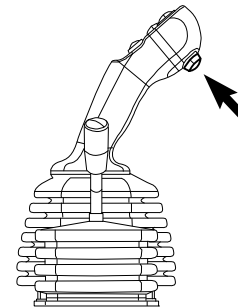
Kick-down function range:

- Automatic: 2nd, 3rd, 4th
- Manual: 2nd

NOTE: Kick-down is "RELEASED" when transmission is placed in "NEUTRAL" position or switch is pressed again.

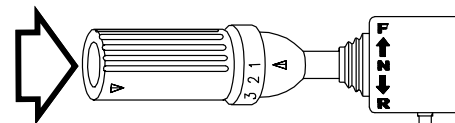
A second kick-down button (Figure 142) is on end of transmission lever.

NOTE: The machine is equipped with a "Left Side Electric Steering Control Unit (Optional)" on page 2-69, there is an additional kick-down button. See "3. Kick-down Button" on page 2-70.



FG019164

Figure 141



AHO0900L

Figure 142

3. Horn Button (Two Places)

Pressing lowest button at tip of pilot control valve lever (joystick) (Figure 143) or button at end of combination switch (Figure 144) will sound horn.

NOTE: Starter switch must be "ON".

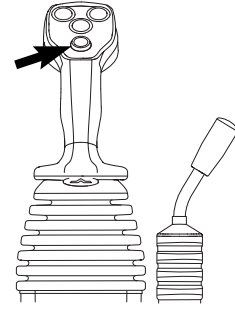


Figure 143

FG018937

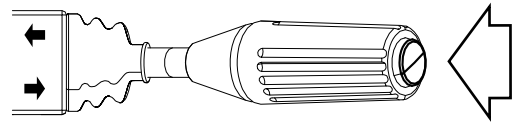


Figure 144

FG018935

4. Starter Switch

A three-position starter switch is used to start or stop engine for machine operation.

- O. Turning switch to this position turns engine electrical system "OFF". In this position, engine is "OFF" but interior cabin light and fuel tank transfer pump (if equipped) are functional.
- I. Turning switch to this position turns engine electrical system "ON". When switch is first turned "ON", six indicator/warning symbols across top of display monitor, will turn "ON" for approximately 2 seconds. The battery warning symbol and engine oil pressure warning symbol will remain "ON" after the other four (4) symbols have turned "OFF".
- ⊖. Moving switch to this position will crank engine. When engine starts, release key and allow it to return to "I" (ON) position. Do not operate starter switch for more than 15 seconds at a time. This will prevent damage to starter.

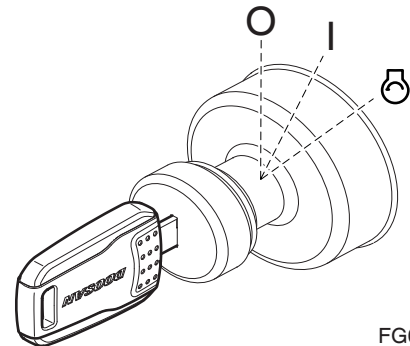


Figure 145

FG018093



WARNING

AVOID DEATH OR SERIOUS INJURY

DO NOT USE STARTING FLUIDS. The starting system could cause starting fluid to explode.

5. Parking Brake Switch

This switch is used to park the machine.

- O. In this position, parking brake is "RELEASED" and the monitor light on the front display monitor turns "OFF".
- I. In this position, parking brake is "APPLIED" and the monitor light on the front display monitor turns "ON".

NOTE: *If parking brake is released, the engine can not be started. To start the engine, engage parking brake first.*

NOTE: *When starting the engine parking brake is engaged automatically.*

To release parking brake, turn parking brake switch "ON" then "OFF" once more although parking brake may look not to be engaged



WARNING

AVOID DEATH OR SERIOUS INJURY

Set the parking brake switch in the "I" (APPLIED) position before leaving the machine.

Make sure to "APPLY" the parking brake switch before trying to start the machine.

IMPORTANT

Do not use the parking brake to stop the loader, except in an emergency; otherwise, it might cause premature wear or damage of the brake.

6. Pilot Cutoff Switch

- O. In this position, Pilot Control Valve Lever (joystick) is turned "OFF". Operator cannot operate the Pilot Control Valve Lever (joystick) to control all functions.
- I. In this position, Pilot Control Valve Lever (joystick) is turned "ON". Operator can fully control the movement of all functions.



CAUTION

AVOID INJURY

When driving or parking, the pilot cutoff switch must be set to "O" (OFF) position so the operator can fully control the movement of the joystick functions.

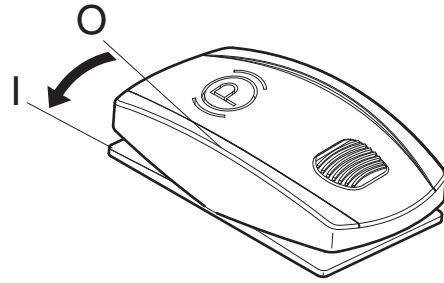


Figure 146

WL1300285

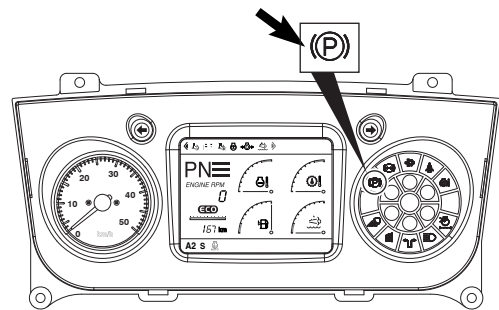


Figure 147

FG019210

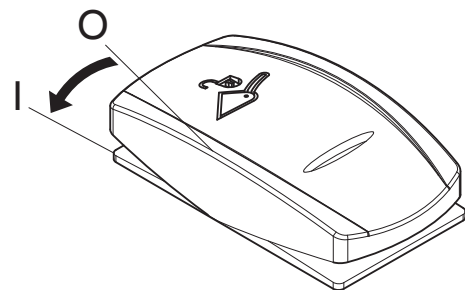


Figure 148

FG019169

7. Headlight Switch

O. In this position, the switch turns "OFF" clearance, tail, instrument panel, switch and headlights.

NOTE: *If the switch is not in the "OFF" position with the engine stopped, the pilot buzzer will sound to warn the operator that batteries are being discharged.*

I. In this position, clearance, tail, instrument panel and switch lights are turned "ON".

II. In this position, clearance, tail, instrument panel, switch lights and headlight are turned "ON".

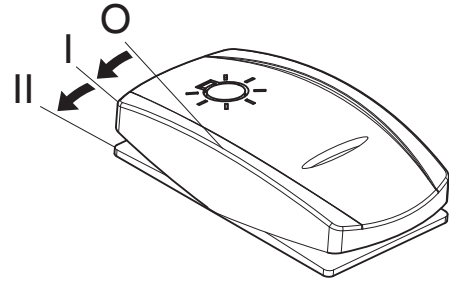


Figure 149

FG016017

8. Stand Keypad

| Reference Number | Description |
|------------------|--------------------------------------------------------------|
| 1 | Power Mode Switch |
| 2 | Transmission Shift Switch |
| 3 | Front Work Light Switch |
| 4 | Rear Work Light Switch |
| 5 | Rear Wiper Switch |
| 6 | Cooling Fan Reverse Rotation Switch |
| 7 | Mirror Heating Switch |
| 8 | Fuel Heater Switch (Optional) |
| 9 | Rotating Beacon Light Switch (Optional) |
| 10 | Emergency Steering Test Switch and Automatic Test (Optional) |

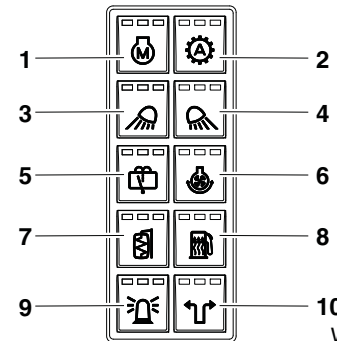


Figure 150

WL1300334

1) Power Mode Switch

Work can be done more efficiently if a proper power and work mode combination is properly selected, for the type of work and conditions. Choose a mode selection using the following guide.

| Mode | Selection Point |
|--------------|----------------------------------------------------------------------------------------------------------------------------------------------------------------------|
| Power Mode | <ul style="list-style-type: none"> Required to perform heavy work in a short period of time. Fast speed loading. Fast speed travel. |
| Normal Mode | <ul style="list-style-type: none"> General work. Optimize fuel consumption. |
| Economy Mode | <ul style="list-style-type: none"> Light work. Minimize fuel consumption. Reduce noise. |

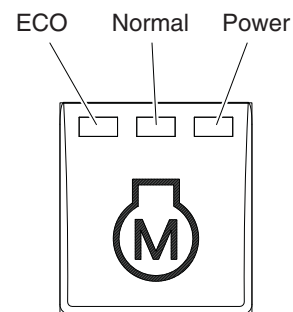


Figure 151

WL1300335

Optimized Engine/Work Mode

| | | Engine Mode | | | | | |
|-------------------|---|-------------|--------|---|---|---|-----|
| | | Power | Normal | | - | | ECO |
| | | | P | P | | | |
| T/M Shifting Mode | P | O | O | ↔ | N | ↔ | E |
| | N | X | X | | X | | X |
| | E | X | X | | X | | O |

Engine mode: Power (P), Normal (N ↔ P), ECO (E ↔ N)

- P: Highest horsepower
- N: Standard horsepower
- E: Lowest horsepower
- P, N, E is shifted quickly dependent on accelerator pedal operation.

T/M shifting mode

- P: 20% Later shift to higher gear than N mode
- N: Normal mode
- E: 20% Earlier shift to higher gear than N mode

T/M shifting mode is changed automatically related with engine mode

2) Transmission Shift Switch

- Manual (MAN) Mode
After starting engine, gear shifting is done manually.
- Auto 1 - 4 Mode (Working Mode)
 - a) Push the Transmission Shift Switch to gear position #4.
 - b) Set shift mode switch to "Auto 1 - 4"
 - c) Select travel directional and accelerate the machine.
 - d) Up and down shift are made automatically between 1st - 2nd - 3rd - 4th gears forward and between 2nd - 3rd - 4th in reverse.
 - e) It is unnecessary to use kick-down function for 1st gear.
- Auto 2 - 4 Mode (Travel Mode)
 - a) 1 - 3 is same as Auto 1 - 4.
 - b) Up and down shift are made automatically between 2nd - 3rd - 4th gears forward and between 2nd - 3rd - 4th in reverse.
 - c) Kick-down button must be used for shifting to 1st gear.

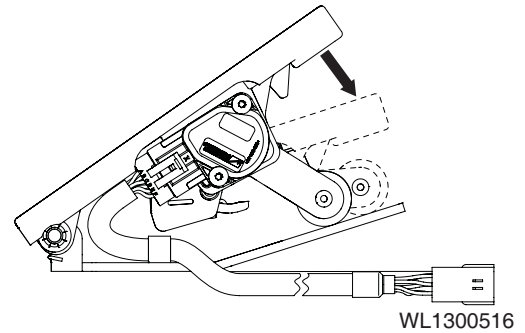


Figure 152

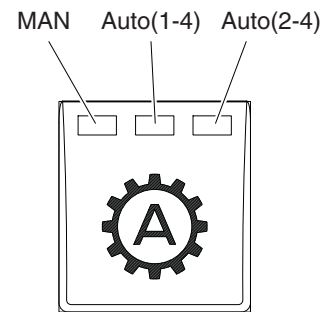


Figure 153

3) Front Work Light Switch

Center LED light "ON": Work lights mounted on the front top of cabin are turned "ON".

Center LED light "OFF": Work lights mounted on the front top of cabin are turned "OFF".



AVOID INJURY

Do not turn "ON" the work lights when traveling on public roads.

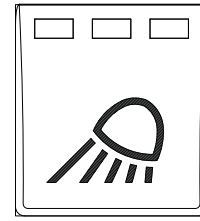


Figure 154

WL1300337

4) Rear Work Light Switch

Left LED light "ON": Work light mounted on the sides of radiator are turned "ON".

Right LED light "ON": Work lights mounted on the rear top of cabin and the top of the sides of radiator are turned "ON".

LED light "OFF" : Work lights mounted on the rear top of cabin and the sides of radiator are turned "OFF".



AVOID INJURY

Do not turn "ON" the work lights when traveling on public roads.

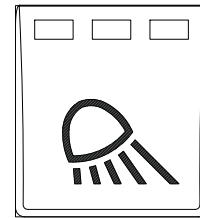


Figure 155

WL1300338

5) Rear Wiper Switch

Center LED light "ON": Windshield wiper mounted on rear windshield of operator's cabin is turned "ON".

Holding the switch, center LED light "ON" and windshield washer fluid sprays onto the rear windshield while running the rear wiper.

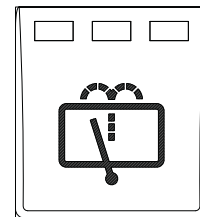


Figure 156

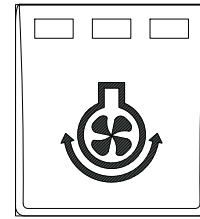
WL1300339

6) Cooling Fan Reverse Rotation Switch

Left LED light "ON": Reverse fan is turned "ON".

Right LED light "ON": Automatic reverse fan is turned "ON".

LED light "OFF" : Reverse fan is turned "OFF".



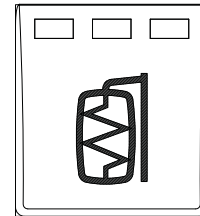
WL1300340

Figure 157

7) Mirror Heating Switch

Center LED light "ON": Mirror heater is turned "ON".

Center LED light "OFF": Mirror heater is turned "OFF".



WL1300341

Figure 158

8) Fuel Heater Switch

This switch is used to activate the fuel heater system.

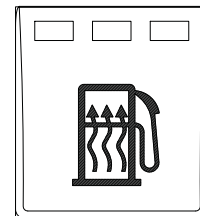
When the switch is activated, the fuel is warmed, depending upon the temperature of fuel

NOTE: *if the fuel temperature is above 5°C (41°F), fuel heating system is not activated.*

Center LED light "ON": The fuel heater system is turned "ON".

Center LED light "OFF": The fuel heater system is turned "OFF".

NOTE: *The starter switch must be "ON".*



WL1300342

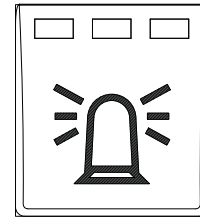
Figure 159

9) Rotating Beacon Light Switch (Optional)

If unit is equipped with a rotating beacon warning light, push this switch to activate it.

Center LED light "ON": Beacon is turned "ON".

Center LED light "OFF": Beacon is turned "OFF".



WL1300343

Figure 160

10) Emergency Steering Test Switch and Automatic Test (Optional)

This switch is used to test whether the emergency steering system is properly functioning.

The system must be tested during the start-up procedure to ensure that system is properly functioning.

Test emergency steering system using the following procedure:

- A. Press switch to center LED light "ON".

NOTE: *Do not start engine.*

- B. Press emergency steering test switch and turn steering wheel at the same time. If system is functioning properly, the unit should steer. The emergency steering indicator light should turn "ON".

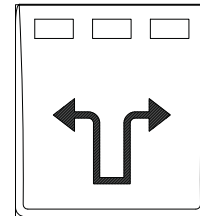
NOTE: *If unit does not steer, do not operate unit until problem is corrected.*

Automatic Test

This is a system check that tests the hydraulic oil pressure in the emergency steering system lines. With starter switch turned to "I" (ON) position, an emergency warning light on the front gauge will turn "ON" for about three seconds.

IMPORTANT

Do not press this switch continuously. Continuously pressing switch will cause heavy battery discharge.



WL1300344

Figure 161

9. Hands-free Control Panel

| Reference Number | Description |
|------------------|-----------------------|
| 1 | Call Button |
| 2 | Mode Selector Button |
| 3 | Volume - Up Button |
| 4 | Volume - Down Button |
| 5 | Hands-free Microphone |
| 6 | Mode Confirm Light |

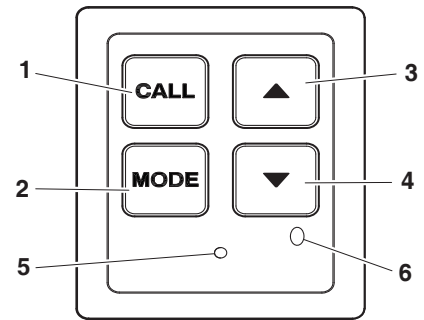


Figure 162

1. Call Button

Hands-free function is available only when the starter switch is at the "I" (ON) position.

The call button receives or ends a phone call.



Figure 163

2. Mode Selector Button

All the mode selector buttons are used to select or reset the hands-free mode.



Figure 164

3. Volume - Up Button

Each pressing increases the volume by 1 level.

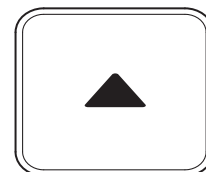


Figure 165

4. Volume - Down Button

Each pressing decreases the volume by 1 level.

5. Hands-free Microphone

When talking over the telephone, use the microphone.

6. Mode Confirm Light

When the hands-free mode is selected, the light will turn "ON".

When the hands-free mode is canceled, the light will "FLICKER".

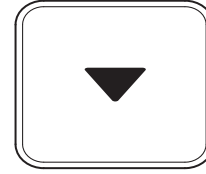


Figure 166

FG018100

How To Use the Hands-free System

- Wired hands-free system.
 - 1) Connect earphone jack of cellular phone and cellular phone jack of the vehicle with the connecting cord. Then use the hands-free function by pressing the call button for receiving, calling or ending a telephone call.
 - 2) Receiving a call.

When the phone rings, press the call button for at least 0.5 second. The button light will turn "ON", the buzzer will sound a beep, and the call will be connected.
 - 3) Ending a call.

Press the call button for at least 0.5 second to end the call. Press the mode button to release the hands-free mode. Check that hands-free mode light is turned "OFF".
 - 4) Making a call.

Enter receiver's phone number in the cellular phone and press the call button or the phone button of the cellular phone.

- Wireless hands-free system.
 - 1) How to register a wireless hands-free system.

With the cellular phone disconnected from the jack, press the call button for 5 seconds until a beep sound is heard. Register the wireless hands-free system referring to the Bluetooth section in the users' manual of the cellular phone.

Once registered, automatic connection will be made when the cellular phone approaches the machine, and disconnected when it's taken away.
 - 2) Receiving a call.

When the phone rings, press the call button for at least 0.5 second. The switch light will turn "ON", the buzzer will sound a beep, and the call will be connected.
 - 3) Ending a call.

Press the call button for at least 0.5 second to end the call. Press the mode button to release the hands-free mode. Check that hands-free mode light is turned off.
 - 4) Making a call.

Enter receiver's phone number in the cellular phone and press the call button or the phone button of the cellular phone.
 - 5) Refusing a call.

To refuse to answer a call, press the call button for 2 - 3 seconds until a beep sound is heard.
 - 6) Transfer between the hands-free system and cellular phone during a call.

Transfer the conversation function between the hands-free system of the machine and the cellular phone during a call. For this, press the call button for 2 - 3 seconds until a beep sound is heard.
 - 7) Resetting the hands-free system.

Press the call button for 5 seconds until a beep sound is heard. Now, the hands-free system of the machine is released.



WARNING

AVOID DEATH OR SERIOUS INJURY

While driving the machine, store the cellular phone at the designated area or where subject to less motion. Stop and park the machine before entering phone numbers. Do not use the cellular phone when operating machine.

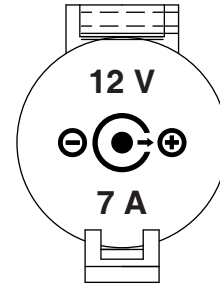
10. Power Socket for 12 Volt

This is a power socket for only 12V DC devices.

This socket can be used for charging a cellular phone or powering a small 12V DC electrical device.

Open the cap when using it.

NOTE: *Avoid damage to electrical system. This socket is designed for small electrical capacity devices. Do not use this socket for large electrical capacity devices.*



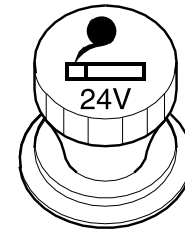
FG017015

Figure 167

11. Cigarette Lighter

Push the lighter all the way into the socket and release. After pushing it in, it will be ejected when it is heated. If it does not eject after a short time, pull it out and have it serviced.

NOTE: *This cigarette lighter is for 24V only. Never connect a 12V electrical device to the lighter.*



HAOA780L

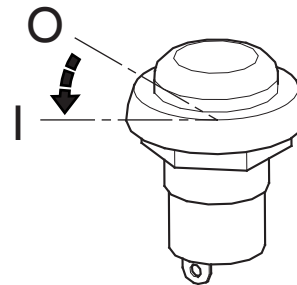
Figure 168

12. F/R (Forward/Reverse) Selector Switch

O. In this position, the F/R control switch is "OFF".

I. In this position, the F/R control switch is turned "ON/ACTIVATED". When released the switch returns to "O" (OFF) position, but the system is still "ACTIVATED". When this switch is depressed again, F/R control switch is "OFF".

- NOTE:**
- 1) *When activating system, the transmission lever and F/R control switch must be in "NEUTRAL".*
 - 2) *If the transmission lever is actuated (moved), the gearshift functions of the F/R control switch are turned "OFF/DEACTIVATED", and forward/reverse travel is again controlled by the transmission lever.*



FG003977

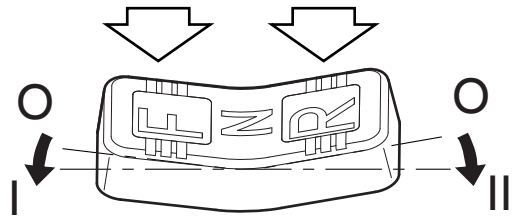
Figure 169

13. F/R (Forward/Reverse) Control Switch

To be able to use the forward/reverse function, the F/R selector switch must first be depressed. When the switch is activated, the F/R selector indicator light will be turned "ON" in the instrument panel.

- O. In this position, the machine is in "NEUTRAL".
- I. In this position, the machine travels "FORWARD".
- II. In this position, the machine travels "REVERSE".

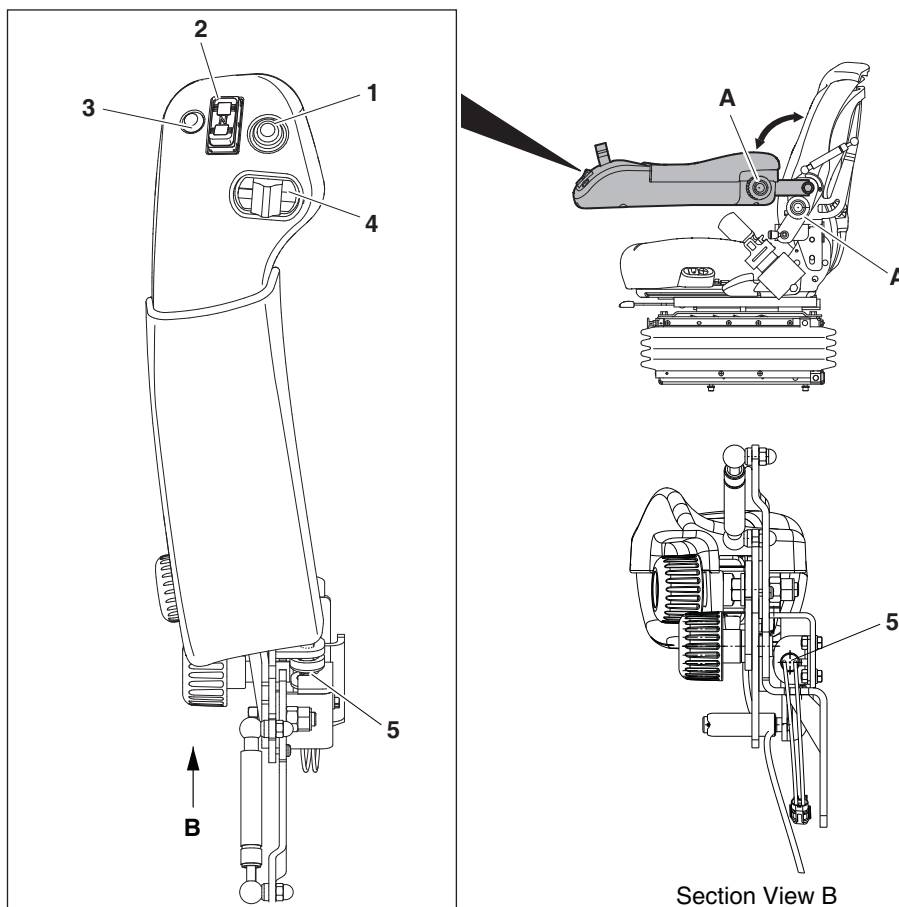
NOTE: *If the transmission lever is moved out of "NEUTRAL" while operating the F/R control switch, the transmission lever will override the switch. The F/R control switch system will require that F/R selector switch be pressed again, with the transmission lever in "NEUTRAL".*



FG015182

Figure 170

LEFT SIDE ELECTRIC STEERING CONTROL UNIT (OPTIONAL)



WL1400416

Figure 171

| Reference Number | Description |
|------------------|-----------------------------------|
| 1 | Electric Steering Selector Switch |
| 2 | 3rd FNR Control Switch |
| 3 | Kick-down Button |

| Reference Number | Description |
|------------------|----------------------------|
| 4 | Electric Steering Joystick |
| 5 | Armrest Cutoff Switch |

Knob (A, Figure 171) is used to allow electric control unit to be moved to the most convenient position for the operator. Loosen the knob, move electric control unit to desired position and then tighten the knob.

WARNING

AVOID DEATH OR SERIOUS INJURY

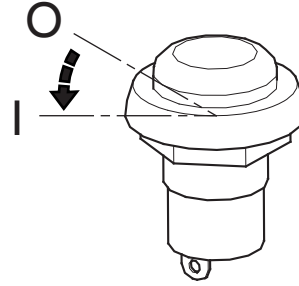
Never activate Electric Steering Selector Switch when traveling on a public road. Always use the steering wheel to drive the machine.

1. Electric Steering Selector Switch

- O. In this position, the electric steering switch is "OFF".
- I. In this position, the electric steering is activated. When released, the switch returns to "O" (OFF) position.

To make it possible to activate the system, the following steps must be done:

- The arm rest must be lowered to its lowest position.
- The transmission lever must be "NEUTRAL" position.
- The engine must be running, but the machine must be stationary.
- When the system is activated, a symbol on multifunction display will be turned "ON".



FG003977

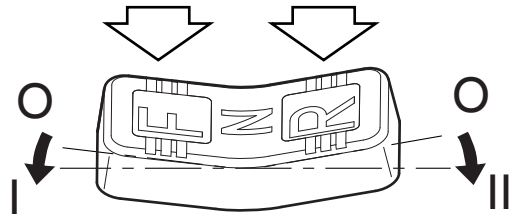
Figure 172

2. 3rd FNR Control Switch

To be able to use the forward/reverse function, the F/R selector switch must first be depressed. When the switch is activated, the F/R selector indicator light will be turned "ON" in the instrument panel.

- O. In this position, the machine is in "NEUTRAL".
- I. In this position, the machine travels "FORWARD".
- II. In this position, the machine travels "REVERSE".

NOTE: *If the transmission lever is moved out of "NEUTRAL" while operating the F/R control switch, the transmission lever will override the switch. The F/R control switch system will require that F/R selector switch be pressed again, with the transmission lever in "NEUTRAL".*



FG015182

Figure 173

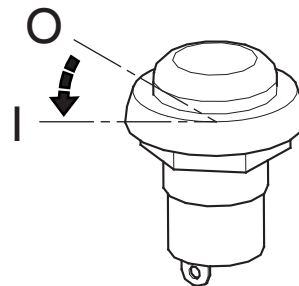
3. Kick-down Button

When transmission is in 2nd gear, pressing this switch will shift transmission into 1st gear. This will allow the operator to perform a quick digging movement.

NOTE: *Kick-down is "RELEASED" when transmission is placed in "NEUTRAL" position or the switch is pressed again.*

Kick-down function range:

- Automatic: 2nd, 3rd, 4th gears.
- Manual: 2nd gear.



FG003977

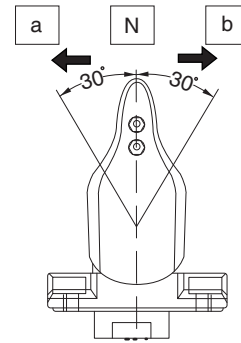
Figure 174

4. Electric Steering Joystick

Use this joystick to steer the machine to the left or right.

When traveling, operate this lever in the direction to turn the machine.

- a. Left turn
- b. Right turn
- N. Neutral



FG019218

Figure 175

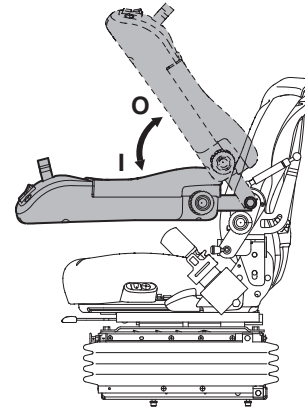
5. Armrest Cutoff Switch

The electric steering switch can be operated with the electric steering armrest lowered.

It is deactivated when lifting the electric steering armrest while it is activated.

- O. The electric steering function cannot be used in this location.
- I. The electric steering function can be used in this location.

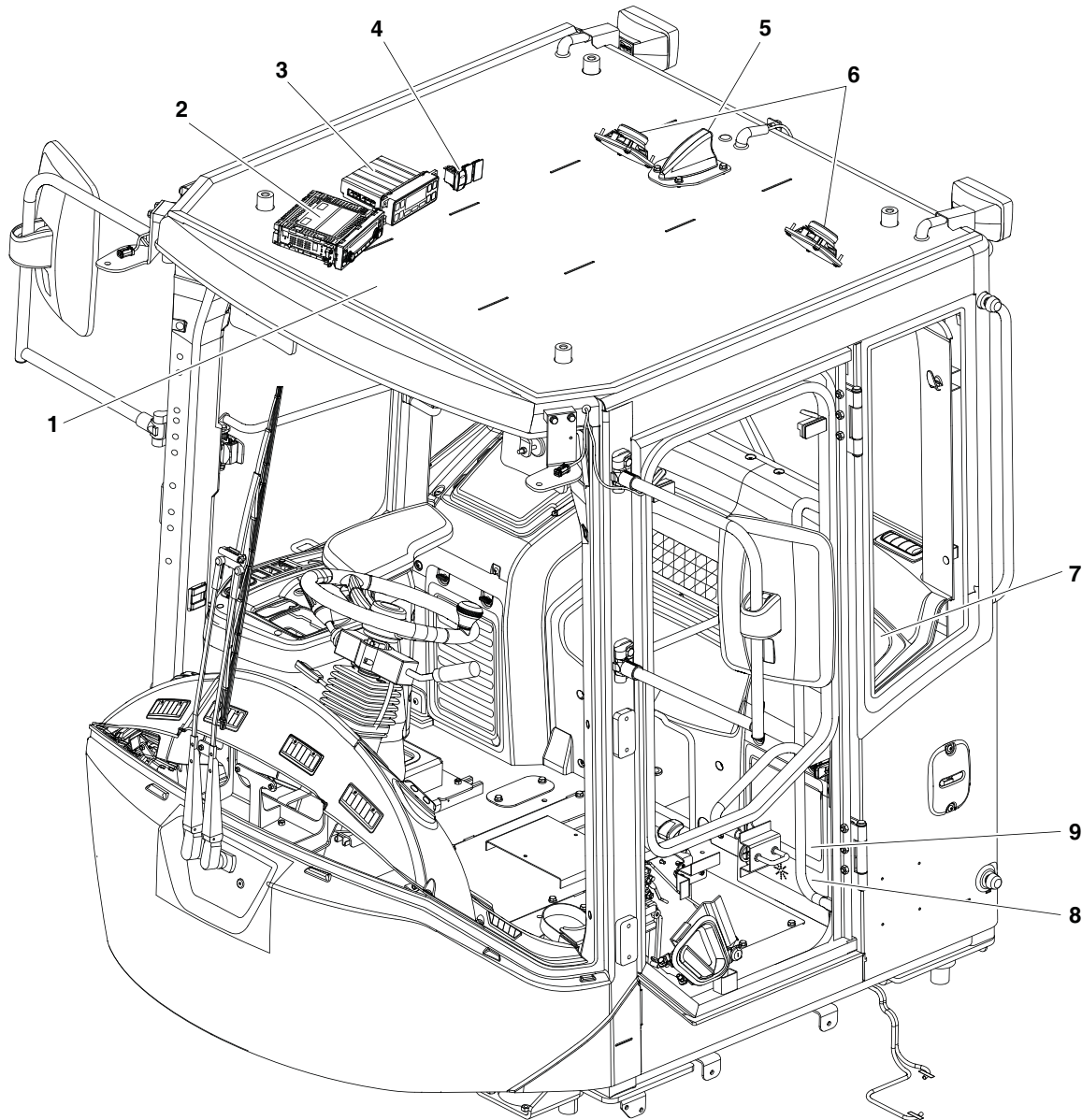
NOTE: Use the electric steering function only in the work site.



WL1400417

Figure 176

VARIOUS CABIN LOCATIONS



WL1300171

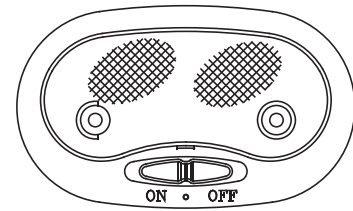
Figure 177

| Reference Number | Description |
|------------------|------------------------------------------|
| 1 | Cabin Light |
| 2 | Stereo/CD Player (Optional) |
| 3 | Heater and Air Conditioner Control Panel |
| 4 | Auto Grease System Switch (Optional) |

| Reference Number | Description |
|------------------|--------------------------|
| 5 | Unified Antenna |
| 6 | Speakers |
| 7 | Storage Compartments |
| 8 | Electrical Box |
| 9 | Emergency Starter Switch |

1. Cabin Light

Located in the middle of front cabin, it illuminates the cabin for night work. Light turns on when the switch is in the "ON" or "O" position, but are off in the "OFF" position. Cabin light may be turned "ON" and "OFF" irrespective of the position of the starter switch.

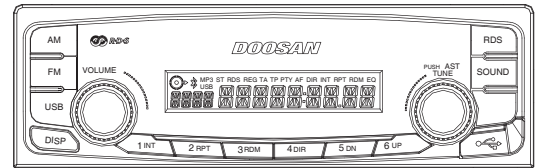


FG004192

Figure 178

2. Stereo/CD Player (Optional)

For operation of stereo see "Stereo/CD Player (Optional)" on page 2-82.

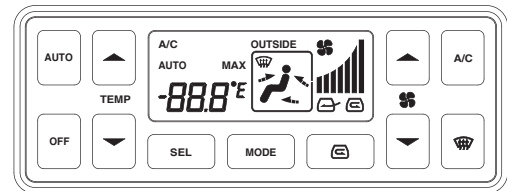


FG017613

Figure 179

3. Heater and Air Conditioner Control Panel

For operation of heater and air conditioner, "Heater and Air Conditioner Operation" on page 2-76.



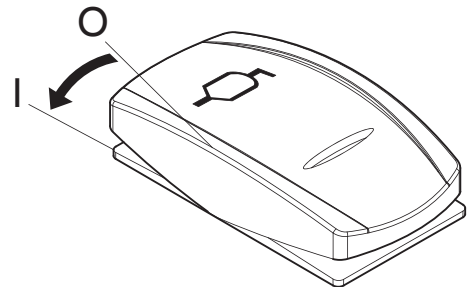
FG019209

Figure 180

4. Auto Grease System Switch (Optional)

This switch is used to switch the auto grease system.

- O. In this position, auto grease system is turned "OFF".
- I. In this position, auto grease system is turned "ON".



WL1300379

Figure 181

5. Unified Antenna

This is a Radio and GPS (Optional) antenna.

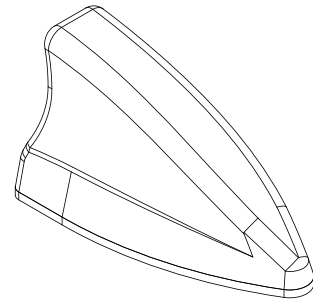


Figure 182

FG019226

6. Speakers

Emits sound generated by stereo.

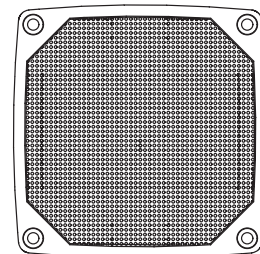


Figure 183

HBOM350L

7. Storage Compartments

There are two storage compartments (1 and 2, Figure 184) located both sides behind of the operator's seat. Keep the operation manual and other documents in these compartments.

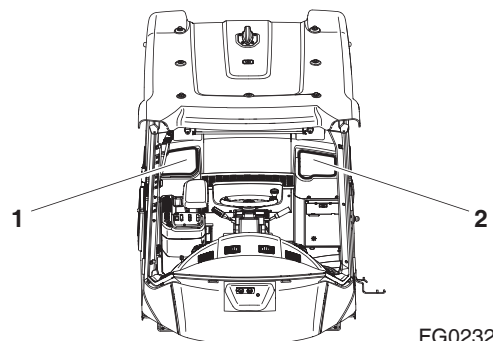


Figure 184

FG023240

8. Electrical Box

Contains relays and electric components. It is located on left side of cabin.

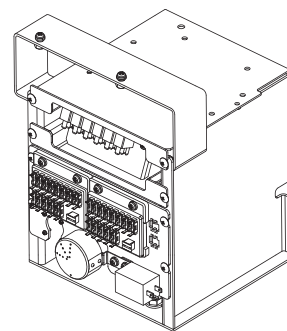


Figure 185

WL1300180

9. Emergency Starter Switch

In case of a trouble in the VCU or error in the CAN communication, the ECU cannot receive start signal and fails to start-up the engine.

In such situation, engine emergency start system provides means for forced starting-up.

To run the engine emergency start system, turn on the toggle switch in the E-box on the bottom of the cabin.

- O. When the toggle switch is at this position, the engine emergency start system cannot run (OFF). In normal condition where there is no problem in engine start-up, the toggle switch must be at this position.
- I. When the toggle switch is at this position, the engine emergency start system can be executed (ON). In abnormal condition where the normal means for engine starting fails, the toggle switch must be at this position.

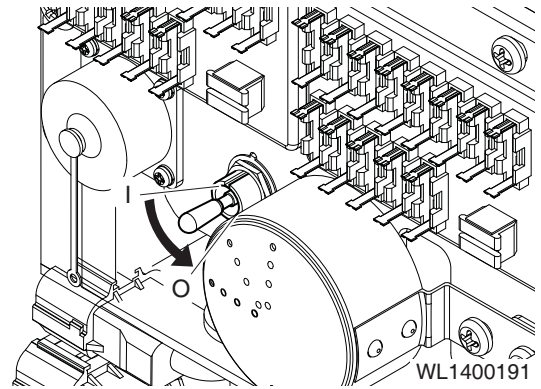
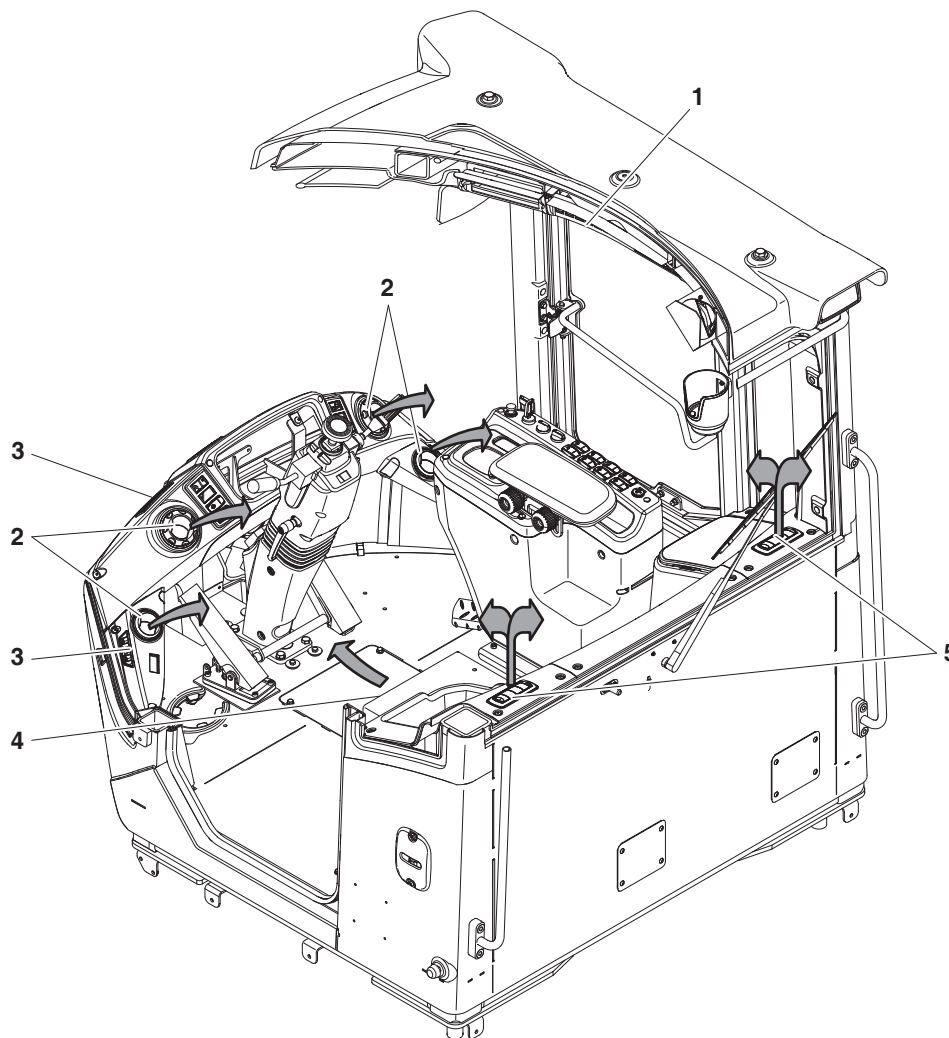


Figure 186

HEATER AND AIR CONDITIONER OPERATION

Location of Controls and Vents



FG019227

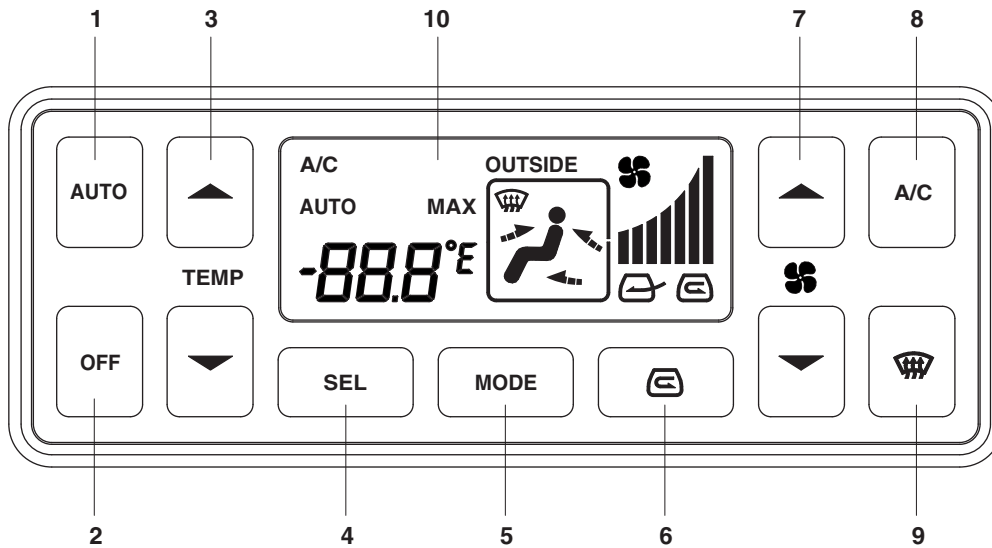
Figure 187

| Reference Number | Description |
|------------------|--------------------------------|
| 1 | Operation Panel |
| 2 | Front Nozzle (Air Conditioner) |
| 3 | Front Nozzle (Defroster) |

| Reference Number | Description |
|------------------|-------------|
| 4 | Foot Nozzle |
| 5 | Rear Nozzle |

The heater and air conditioner are combined into one unit to the right side of the operator's seat. If necessary, the operator can control interior cabin temperature using the operation panel.

Control Panel



FG000086

Figure 188

| Reference Number | Description |
|------------------|--------------------------------------|
| 1 | Automatic Temperature Control Button |
| 2 | Off Button |
| 3 | Temperature Control Button |
| 4 | Temperature Unit Selector Button |
| 5 | Mode Selector Button |

| Reference Number | Description |
|------------------|----------------------------|
| 6 | Air Inlet Selector Button |
| 7 | Fan Speed Selector Buttons |
| 8 | Air Conditioner Button |
| 9 | Defroster Button |
| 10 | LCD Display |

NOTE: When the light switch is turned to "I" or "II" position, the LED for illuminating in the control panel will turn "ON".

1. Automatic Temperature Control Button

This button is used to control the temperature level in the cabin, using the temperature setting of the operating panel.

When the automatic temperature control function is activated, the word "AUTO" will be displayed in the upper left of LCD display.

When the system is in "AUTO" mode, specifications can be manually changed by pushing another button.

If a function is manually changed, the word "AUTO" does not appear in the LCD display, but the unchanged functions will remain in "AUTO" mode.

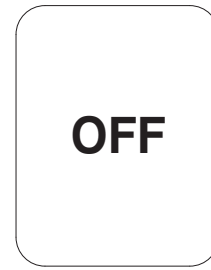


FG000088

Figure 189

2. Off Button

This button is used to stop the fan and air conditioner.



FG000089

Figure 190

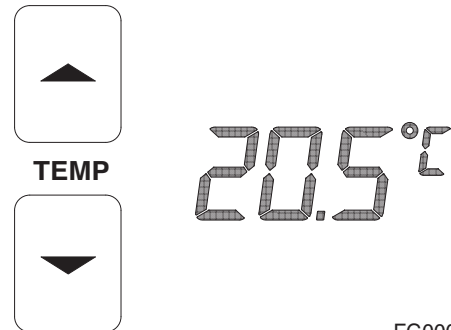
3. Temperature Control Button

These buttons are used to control the cabin temperature.

Temperature is adjustable from 17°C (62°F) to 32°C (90°F) by 0.5°C (1°F) increments.

Temperature setting is displayed on the LCD.

When the system is turned "ON", the previously set temperature is used as a starting point.



FG000090

Figure 191

4. Temperature Unit Selector Button

This button gives the choice to select either °C (Celsius) or °F (Fahrenheit).



FG000094

Figure 192

5. Mode Selector Button

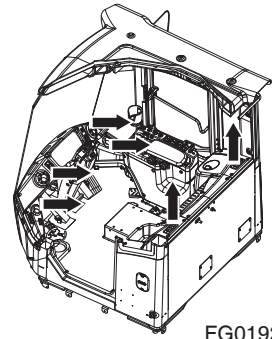
This button is used to select which combination air outlets will be used.



FG000096

Figure 193

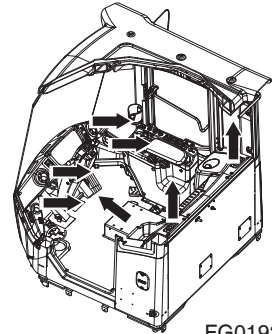
- A. Used to direct airflow to upper portion of operator's cabin from both the front and rear.



FG019228

Figure 194

- B. Used to direct airflow to upper portion of operator's cabin from both the front and rear. It will also deliver air to the lower portion of operator's cabin from under the operator's seat.

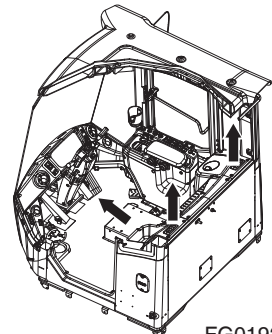


FG019229

Figure 195

- C. Used to direct airflow to lower portion of operator's cabin and feet.

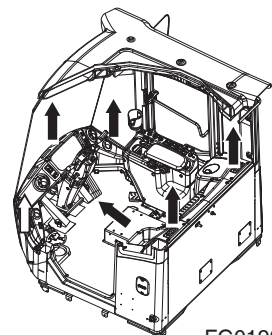
This mode is mainly used for heating.



FG019230

Figure 196

- D. Used to direct airflow to the front window and to operator's feet.



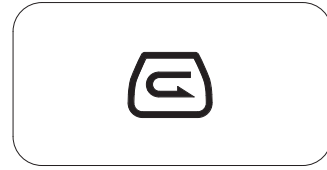
FG019232

Figure 197

6. Air Inlet Selector Button

This button is used to select fresh air from outside the cabin, or recirculate air within the cabin.

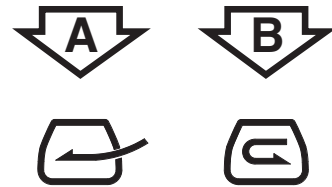
Pressing this switch enables the choice between fresh air and recirculating air within the operator's cabin. The select mode is displayed on the LCD.



FG000101

Figure 198

- A. "A" Symbol - Draws fresh air into operator's cabin. Used to exchange air within the operator's cabin with fresh air. Used to remove condensation or ice on window (Winter/Rainy Season).
- B. "B" Symbol - Recirculates air within the operator's cabin. Used to quickly warm or cool the operator's cabin.



FG000102

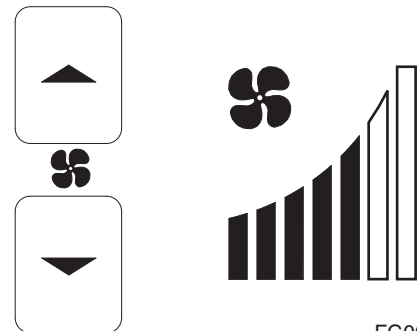
Figure 199

7. Fan Speed Selector Buttons

These buttons are used to control the speed of the blower fan.

Momentarily pressing a button changes the speed one stage.

Continuously pressing and holding a button repeatedly changes the speed.



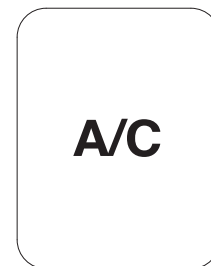
FG000103

Figure 200

8. Air Conditioner Button

This button is used to turn the air conditioner "ON" or "OFF".

When this function is activated, an "A/C" is displayed in the upper left corner of the LCD.

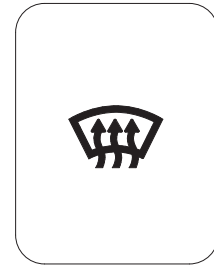


FG000105

Figure 201

9. Defroster Button

Used to direct airflow to front window.

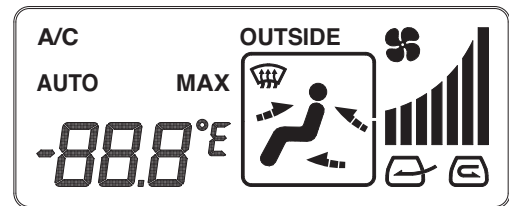


FG000106

Figure 202

10. LCD Display

This display shows the current setting.



FG000107

Figure 203

Memory Function

The air conditioner panel has a memory function. When the starter switch is turned "OFF", the settings for the panel, will be stored. When the machine is started, the last stored setting will be used.

Additional Operating Instructions

A proper indoor temperature in summer is 5 - 6°C (10 - 12°F) lower than the outdoor temperature.

Operate the air conditioner for twenty - thirty (20 - 30) minutes a week to circulate the refrigerant in the system.

NOTE: *The blower button must be on "three bars".*

If operating the air conditioner or heater for a long time, operate the air inlet selector button and, when smoking, vent the air to the outside to prevent irritation to eyes.

STEREO/CD PLAYER (OPTIONAL)

Before operating the stereo or CD player, read operation manual enclosed with stereo or CD player.

Stereo

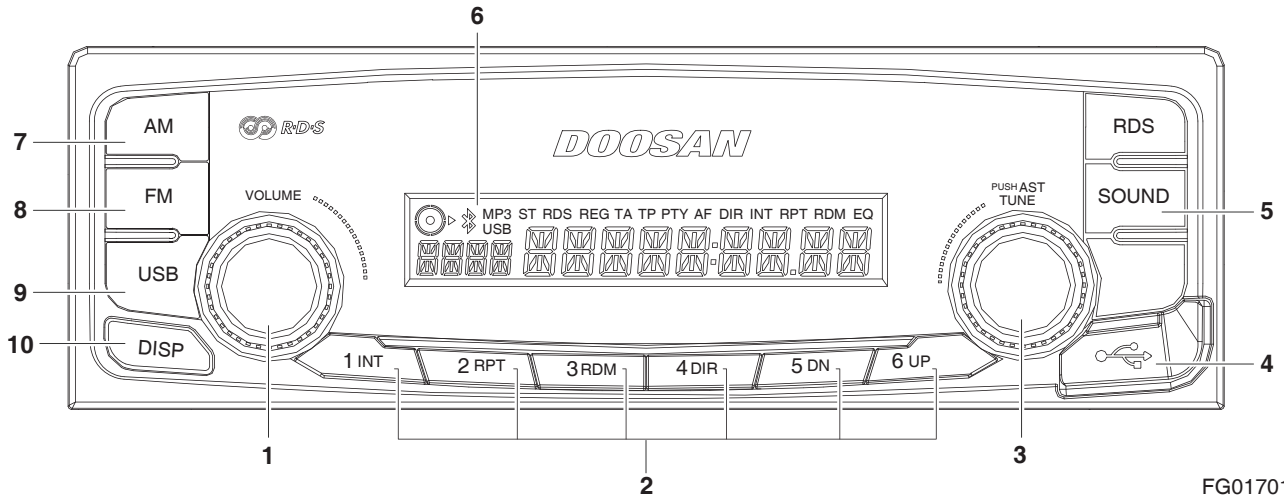


Figure 204

FG017016

| Reference Number | Description |
|------------------|----------------------|
| 1 | Power/Volume Control |
| 2 | Preset Station |
| 3 | Tuning Up/Down |
| 4 | USB Loading Port |
| 5 | Sound Mode Selector |

| Reference Number | Description |
|------------------|----------------------|
| 6 | LCD |
| 7 | AM Selection |
| 8 | FM Selection |
| 9 | USB Selection |
| 10 | Display Mode Control |

CD Player (Optional)

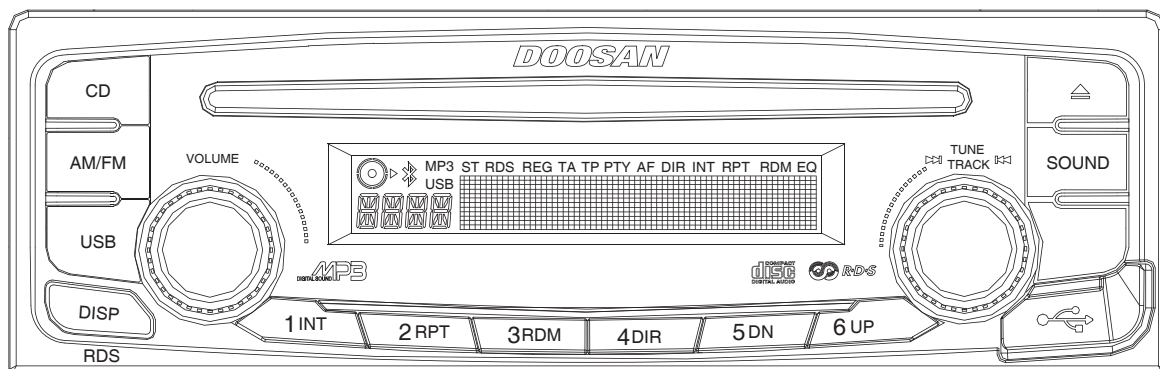


Figure 205

FG017017

SEAT ADJUSTMENT W/AIR SUSPENSION (STANDARD)



WARNING

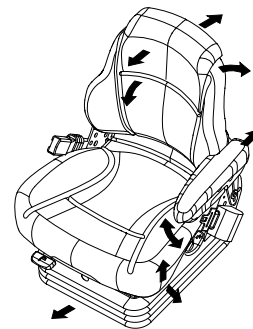
AVOID DEATH OR SERIOUS INJURY

Adjust the seat position before starting operation or after changing the operator.

Do not adjust the seat position while the machine is moving because a loss of control can occur. Always stop the machine, "ENGAGE" parking brake, and then adjust the seat.

Always fasten your seat belt while operating machine.

Adjust the seat so the control levers and pedals can be operated freely and easily with the operator's back against the backrest.



FG019233

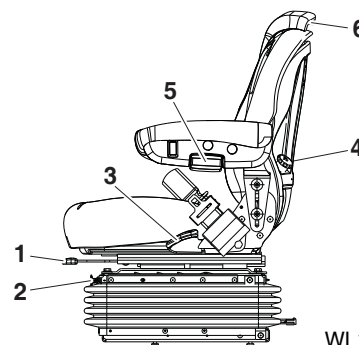
Figure 206

1. Adjusting Seat Forward/Backward Lever

Holding lever (1, Figure 207), raise it, while pushing or pulling seat to desired position. Release lever once desired position is reached. Adjustment range is 80 mm (3 in).

2. Seat Height and Weight Adjustment Knob

Pushing knob (2, Figure 207) makes suspension harder. Pulling knob makes suspension softer. Adjust using operator's weight. Adjustment range is from 45 - 145 kg (99 - 320 lb).



WL1400128

Figure 207

3. Backrest Adjustment Lever

Pulling up left side lever (3, Figure 207) allows seat backrest to be tilted forward or backward.

4. Lumbar Control Knob

Rotate lumbar control knob (4, Figure 207) to increase or decrease or decrease support to lower back.

5. Angle Adjustment of Armrest

Adjustment angle of left and right armrest (6, Figure 208) is done by turning a dial in bottom of armrest. When you adjust angle, manually raise armrest before turning dial.

6. Adjustment of Upper Backrest

To raise it, pull up with both hands at the corners on the bottom of upper backrest. To lower it, press with both hands at the corners on the top of upper backrest. Adjustment range is 102 mm.

7. Heating Operator's Seat (Optional)

The seat can be heated. The heater switch is found on left-hand side of seat back. To heat the seat, press and hold switch until desired heat level is obtained. When heating is not needed or seat is warmed, turn switch to "OFF" position.

The seat warmer has a primary thermostat that allows it to operate between 28° - 37°C (82° - 99°F). At 37°C (99°F), the primary thermostat stops heating the seat.

NOTE: *If the primary thermostat fails, there is a secondary (safety) thermostat that operates between 32° - 41°C (90° - 106°F). At 41°C (106°F), the secondary (safety) thermostat stops heating the seat. If the seat is heating up to a higher than normal temperature, have seat serviced immediately.*

Recommendations for Limiting Vibrations

1. Select the right machine, equipment and attachments for a particular application.
2. Replace any damaged seat by a DOOSAN genuine part. Keep the seat maintained and adjusted.
 - Adjust the seat and suspension for the weight and size of the operator.
 - Inspect and maintain the suspension and adjustment mechanisms of the seat regularly.
3. Check that the machine is properly maintained.
 - Tire pressure, brakes, steering, linkages, etc.
4. Steer, brake, accelerate, shift gears, move the attachments and load the attachments smoothly.
5. Adjust the machine speed and travel path to reduce the vibration level.
 - Slow down if it is necessary when traveling through rough terrain.
 - When driving machine, avoid obstacles and excessive rough terrain.
6. Keep the machine on terrain where working and traveling conditions are good.
 - Remove any large rocks or obstacles.
 - Fill any ditches and holes.
 - Provide machines for, and schedule time to maintain, good terrain conditions.
7. Travel over longer distance (e.g. on public roads) at adjusted (medium) speed.
 - Always adjust the speed to prevent bouncing.

SEAT ADJUSTMENT W/AIR SUSPENSION AND HEATER



WARNING

AVOID DEATH OR SERIOUS INJURY

Adjust the seat position before starting operation or after changing the operator.

Do not adjust the seat position while the machine is moving because a loss of control can occur. Always stop the machine, "ENGAGE" parking brake, and then adjust the seat.

Always fasten your seat belt while operating machine.

Adjust the seat so the control levers and pedals can be operated freely and easily with the operator's back against the backrest.

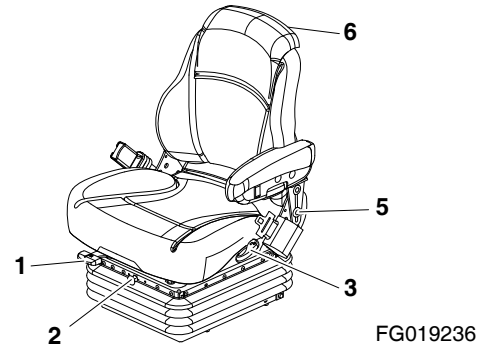


Figure 208

1. Adjusting Seat Forward/Backward Lever

Holding lever (1, Figure 208), raise it, while pushing or pulling seat to desired position. Release lever once desired position is reached. Adjustment range is 152 mm (6 in).

2. Seat Height and Firmness/Adjustment Knob

To raise seat or increase firmness in ride, turn key to "ON" and push in on height/firmness adjustment knob (2, Figure 208).

To lower seat height or decrease firmness in ride, pull out on height/firmness adjustment knob (2, Figure 208). Adjustment range is 76 mm (3 in).

3. Backrest Adjustment Lever

Lift backrest tilt adjustment lever (3, Figure 208) and allow cushion to angle forward or lean backward into desired position and release handle.

4. Lumbar Control Knob

Rotate lumbar control knob (4, Figure 209) to increase or decrease support to lower back.

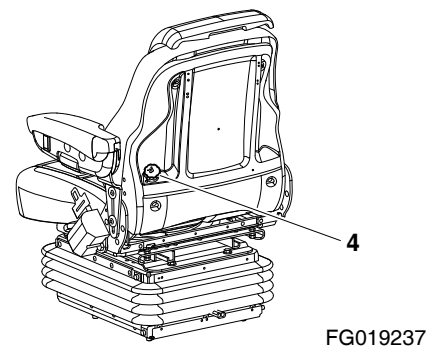


Figure 209

5. Angle Adjustment of Armrest

Rotate armrest tilt knob (5, Figure 208) to tilt to desired armrest position.

6. Adjustment of Upper Backrest

To raise it, pull up with both hands at the corners on the bottom of upper backrest. To lower it, press with both hands at the corners on the top of upper backrest. Adjustment range is 125 mm (4.9 in).

7. Heating Operator's Seat (Optional)

The seat can be heated. The heater switch is found on left-hand side of seat back. To heat the seat, press and hold switch until desired heat level is obtained. When heating is not needed or seat is warmed, turn switch to "OFF" position.

The seat warmer has a primary thermostat that allows it to operate between 38°C - 43°C (100°F - 109°F). At 43°C (109°F), the primary thermostat stops heating the seat. Also seat back is operated between 47°C - 55°C (116°F - 131°F). At 55°C (116°F), the primary thermostat stops heating the seat back.

NOTE: *If the primary thermostat fails, there is a secondary (safety) thermostat that operates between 38° - 43°C (100°F - 109°F). At 43°C (109°F), the secondary (safety) thermostat stops heating the seat. If the seat is heating up to a higher than normal temperature, have seat serviced immediately.*

SEAT BELT



WARNING

AVOID DEATH OR SERIOUS INJURY

The seat belt is for the operator's safety and should always be worn for operator restraint. Before driving the machine, adjust the seat to the desired position for maximum comfort and machine control, then fasten the seat belt. Seat belts must be worn across the pelvic region and adjusted snugly to lessen the chance and severity of injury in case of an accident. Never fasten a seat belt across the abdomen.

Under no circumstances should the operator be standing in the cabin when operating the loader.

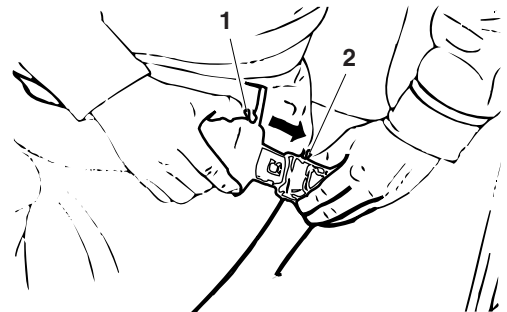
Do not adjust the seat position while the machine is moving because a loss of control can result. Stop the machine, "ENGAGE" parking brake, and then adjust the seat.

Always check the condition of seat belt and belt bracket before fastening it. Do not use seat belt with twists in it, with damaged, or has missing hardware. Replace seat belt or belt bracket if damaged or worn.

Seat Belt Locking and Unlocking

Insert belt end (1, Figure 210) into buckle (2). Pull belt to check that belt end is locked into buckle.

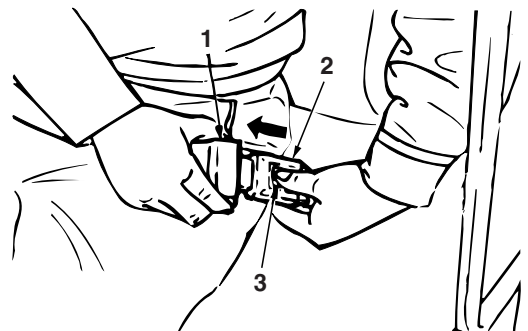
Adjust belt length so it is comfortably tight against operator's pelvic region (hip area).



HAOB140L

Figure 210

Press button (3, Figure 211) in center of buckle (2) and pull out belt (1) to unlock.

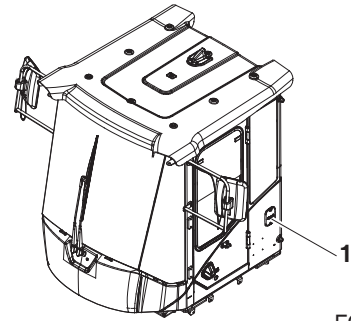


HAOB150L

Figure 211

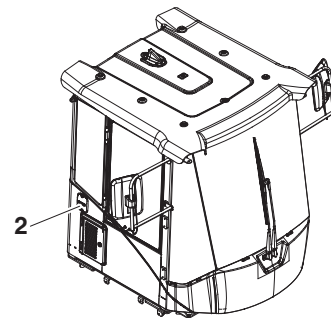
DOOR SIDE LATCH

1. Door side latches (1. LH, Figure 212) and (2. RH, Figure 213) are used to secure the doors (RH, LH) to the side of the cabin when they are opened.
2. Keep the door closed and locked when machine is not in use.



FG019238

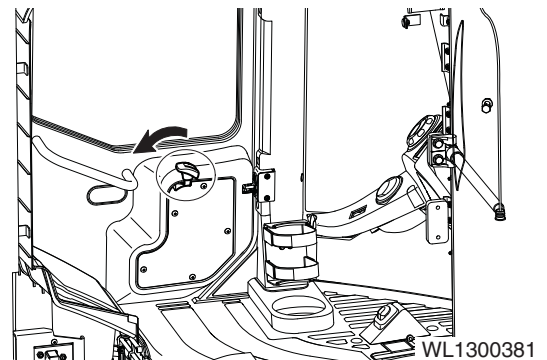
Figure 212



FG019239

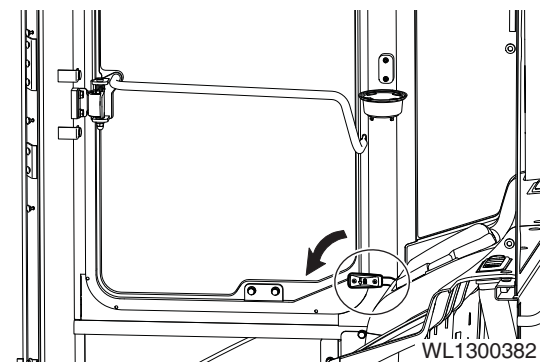
Figure 213

3. To release doors from both sides of the cabin, pull handles (Figure 214 and Figure 215) in direction of arrows. The handles are located on both sides of the operator's seat.



WL1300381

Figure 214

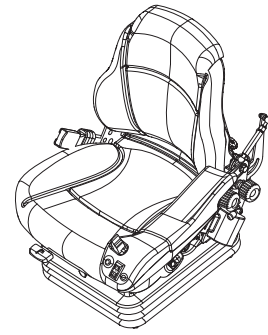


WL1300382

Figure 215

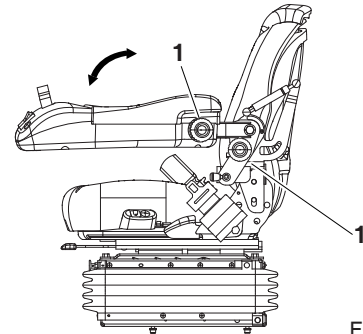
4. Control unit (Optional)

Knob (1, Figure 217) is used to allow electric control unit to be moved to the most convenient position for the operator. Loosen the knob and move electric control unit to desired position and tighten the knob.



FG019241

Figure 216

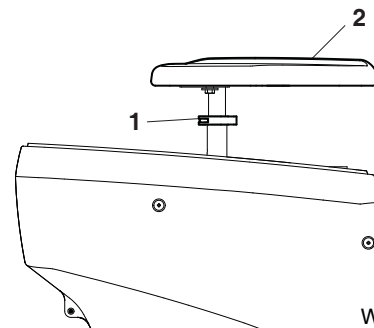


FG019242

Figure 217

ARM REST

Clamp (1, Figure 218) is used to allow armrest (2) to be moved to the most convenient position for operator. Unclamp and adjust the height to desired position.



WL1300269

Figure 218

FUSE BOX/RELAY

Fuse Boxes

There are two fuse boxes inside the cabin.

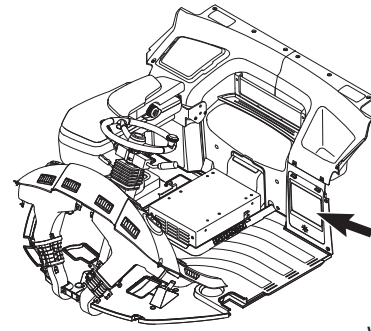
Fuse boxes are in the rear cover. A usage diagram of fuses is shown inside of fuse cover. Spare fuses are mounted on the electric box. (10A - Qty. 16, 15A - Qty. 7, 20A - Qty. 3 and 30A - Qty. 2).



WARNING

AVOID DEATH OR SERIOUS INJURY

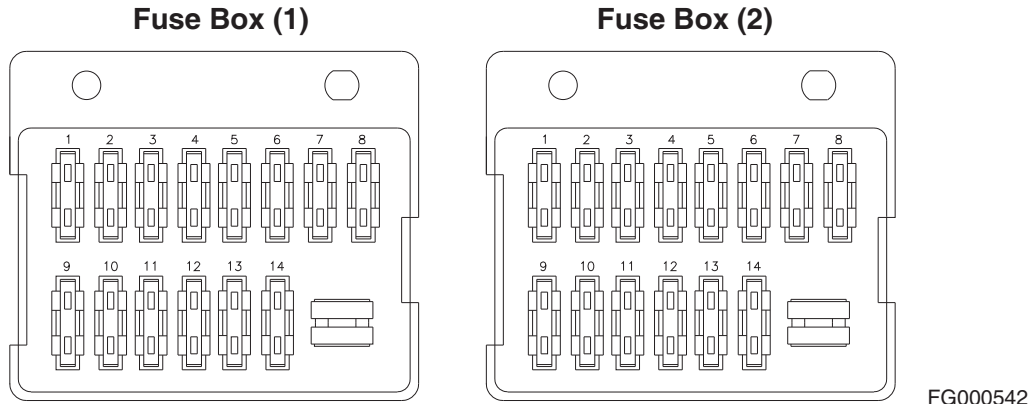
If any fuse is blown, turn "OFF" the starter switch and shut off the power supply. Repair the cause if needed and replace the fuse with a new one.



WL1300380

Figure 219

Fuse Identification



FG000542

Figure 220

| No. | Fuse Box One | |
|-----|-------------------------------------------|----------|
| | Name | Capacity |
| 1 | Rear Wiper | 10A |
| 2 | Parking Brake, Pilot Cut Off | 10A |
| 3 | Beacon (Optional) | 10A |
| 4 | Rear View Camera (Optional) | 10A |
| 5 | 12V Power Socket | 10A |
| 6 | Cigarette Lighter | 10A |
| 7 | Indicator Light, Room Light, Blinker Unit | 10A |
| 8 | Starter Switch, Hour Meter | 10A |
| 9 | Air Conditioner, Heater | 30A |
| 10 | Headlight | 20A |
| 11 | Back up Light Speed Sensor | 15A |
| 12 | SCR Controller | 15A |
| 13 | VGT | 15A |
| 14 | ECU | 20A |

| No. | Fuse Box Two | |
|-----|-------------------------------------------------------------------------|----------|
| | Name | Capacity |
| 1 | Gauge Panel | 10A |
| 2 | Stoplight
Auto Grease System (Optional) | 10A |
| 3 | Solenoid Valve,
Proximity Switch, LIS (Optional) | 10A |
| 4 | Electric Steering (Optional),
VCU, Key pad | 10A |
| 5 | Horn | 10A |
| 6 | Front Wiper | 10A |
| 7 | Position Light (Left) | 10A |
| 8 | Position Light (Right) | 10A |
| 9 | Fuel Heater, EGR | 30A |
| 10 | Work Light (Rear) | 20A |
| 11 | Seat Suspension (Optional),
Seat Warmer (Optional),
Mirror Heater | 15A |
| 12 | Work Light (Front) | 15A |
| 13 | GPS, Stereo, Pilot Buzzer | 15A |
| 14 | TCU, A/C Controller | 15A |

Relays

The relays are in the electrical box on the left side in the operator's cabin. If the problem is not solved after replacing the fuse, check the function of the relay.

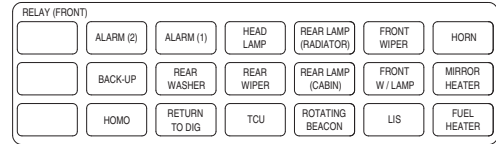


Figure 221

WL1300345

Circuit Breaker

A main circuit breaker is in the battery box. It will automatically cut off power in case of an electrical short circuit or overload. This will prevent the electrical wiring and components from being burned or damaged.

If the circuit breaker is cut off, check all related circuits. This means something is wrong in the electrical circuit and it needs to be repaired.

After maintenance, press the red button for normal operation of circuit breaker.

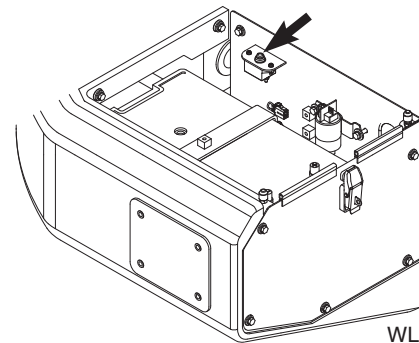


Figure 222

WL1300181

Fusible Link

A fusible link is in the battery box.

If the engine does not crank, first check that starter switch is turned "ON" and no power is available (No indicator lights will light.) Check that "A" portion (Figure 223) of the fusible link is not broken or burned through. Replace the fusible link if damaged and investigate cause.

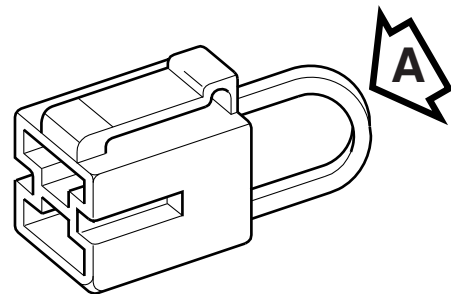


Figure 223

HAOB100L



WARNING

AVOID DEATH OR SERIOUS INJURY

When changing the fusible link, replace the fusible link with the same capacity part. Otherwise, a fire could break out in the wiring harness and/or other components of the circuit. Always use original DOOSAN parts.

WHEEL CHOCKS

A pair of wheel chocks are supplied with the machine, and are stored on the frame.

These wheel chocks must be used always when it is necessary to secure the machine for repairs or for transport.

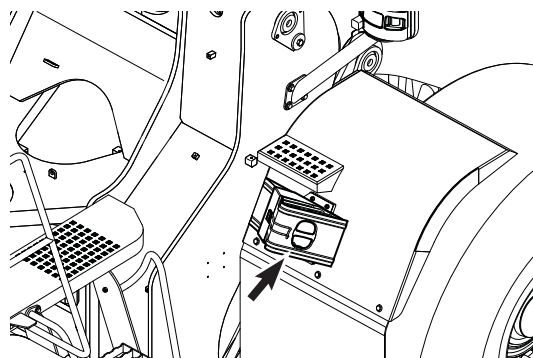


Figure 224

WL1400686

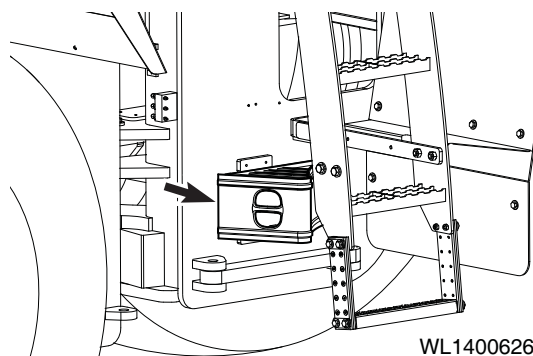


Figure 225

WL1400626

Operation

TO OPERATE A NEW WHEEL LOADER



WARNING

AVOID DEATH OR SERIOUS INJURY

Before operating this machine read and understand the operation and maintenance instructions in this manual.

Monitoring System

The monitoring system uses electrical circuits between control system and sensors installed at various machine system locations to monitor selected conditions. The monitoring system's function is to continually inform the operator of the machine's condition. Displays and gauge readouts on the instrument panel provide information such as engine speed, engine coolant temperature, transmission oil pressure, and electrical charge status.

New Machine Break-in Procedures

All DOOSAN machines are inspected before leaving the factory. However, it is required that operator follow these steps during the initial break-in period. Failure to follow these steps can result in damage to the equipment or reduced performance.

| Hour | Load |
|-----------------------------------|-------------------------------------------------------------------------|
| For first 50 hours of operation | Maintain about 80% load of full capacity (Engine rpm: 80% of rated rpm) |
| After first 50 hours of operation | Full load |

If machine is used at full load before it is broken in, it could affect the overall performance and service life of the machine.

- NOTE:**
1. Check daily for leakage of coolant, fuel, engine oil and hydraulic oil.
 2. Inspect all lubricants daily and add appropriate lubricants as required.

3. *During operation, monitor all instruments and gauges.*
4. *Avoid an extreme engine load.*
5. *Operate unit at 80% load until engine and all other components are at operating temperatures.*
6. *Check that work equipment is operating normally.*
7. *Check machine for loose parts or for damage that may have occurred during shipping.*
8. *Check for loose wiring or terminals, check gauge operation and battery electrolyte level.*

STARTING AND STOPPING ENGINE

Inspection Before Starting Engine

Walk-Around Checks



WARNING

AVOID DEATH OR SERIOUS INJURY

If flammable materials such as leaves, paper, etc. are allowed to accumulate on high temperature components, such as the engine muffler and turbo, a fire can occur. Fuel, lubricant, and hydraulic oil leaks can cause a fire. Clean machine, remove all flammable materials from machine, and repair machine before operating.

NOTE: *When the engine is started for the first time, perform the inspection points listed under First Start in the Inspection Schedule (See "Maintenance Intervals" on page 4-34).*

Before starting engine, inspect the following items. If any problem is found, repair it before machine operation.

1. Overall
 - Check for damage, wear, crack, oil leakage, play in work equipment, cylinders, linkages and hoses.
 - Check the frame, transmission and axles for; damage, cracks, oil leakage and loose bolts.
 - Check for problems in doors, handrails, steps and loose bolts.

- Clean and check cabin glass, rearview mirrors, rear view camera (if equipped) and lights.
 - Clean and check monitor, switches and gauges in the cabin.
2. Cleaning
 - Remove dirt and debris from around engine, radiator, oil cooler and battery.
 - Check and remove flammable material around muffler, turbocharger, battery or other high temperature components.
 - Clean and inspect fins of radiator, oil cooler, CAC (Charged Air Cooler) and condenser.
 3. Engine system
 - Check for coolant and oil leakage around the engine and cooling system.
 - Check engine emission control system.
 4. Fuel system
 - Drain water and sediment from fuel tank and water separator.
 - Check for fuel leakage in fuel system.
 5. Hydraulic system
 - Check for hydraulic oil leaks, damaged tubing and hoses and interference points of components.
 6. Electrical system
 - Check for damaged electrical cables and loose or missing connectors.
 7. Lubrication
 - Perform all daily and periodic maintenance services. Perform services according to reading shown on hour meter.
 8. Safety
 - Perform a machine walk-around. Make sure that no one is under the machine or performing any maintenance on it before starting engine.
 9. After starting machine
 - Check that all operational controls and components are in proper operating condition and are functioning correctly. Stop operation and correct any problems before continuing work.

Checks Before Starting Engine

Before starting engine, inspect the following items. If any problem is found, repair it before machine operation. If the oil, fuel or coolant level are below the "LOW" mark, add fluids as necessary. For more information, see "10 Hour / Daily Service" on page 4-36 in this manual.

1. Grease loader arm and front attachment pins.
(If equipped) Check grease level of central lubrication pump.
2. Check engine oil level.
3. Check level of hydraulic oil tank.
4. Check fuel level.
5. Check the DEF (AdBlue) level.
6. Check oil level of transmission.
7. Check cooling system and refill as required.
8. Check level of window washer liquid.
9. Inspect cooling fan blade.
10. Check air intake system.
11. Inspect seat belt for any damage and proper operation.
12. Inspect the structure for cracks and faulty welds.
13. Check the operation of all switches and operating controls.
14. Check the operation of all exterior lights, horn, backup alarm, rear view camera (if equipped) and monitor lights.
15. Check inflation pressure of tires.
16. The level in the reductant tank. (if the engine is equipped with an Selective Catalytic Reduction System. (SCR))

IMPORTANT

Running the engine without reductant will damage the Selective Catalytic Reduction (SCR) system.

Operational Checks Before Starting Engine



WARNING

AVOID DEATH OR SERIOUS INJURY

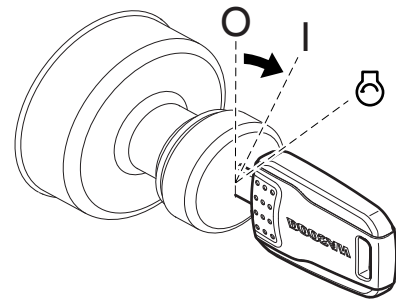
When leaving operator's seat, set pilot cutoff switch to "O" position and stop engine to prevent accidental activation of the work levers and controls.

1. Set pilot cutoff switch to "O" position. This will "LOCK" pilot control valve lever (joystick).
2. Fasten seat belt. Check for proper operation and condition.
3. Set all operation levers in "NEUTRAL".

NOTE: *Be careful not to move any switches when starting engine.*

4. Rotate the starter switch to "I" (ON) position (Figure 1). Check all indicator lights. A warning buzzer will sound for about two (2) seconds. After two (2) seconds, all indicator lights except the following will turn "OFF":
 - Charging warning light
 - Engine oil pressure warning light
 - Engine coolant temperature gauge
 - Fuel gauge
 - Hydraulic oil temperature gauge
 - Engine rpm (0 rpm) digital readout

NOTE: *If all the indicator lights do not come "ON" when the key is first turned, correct the cause of the problem before machine operation.*



FG018147

Figure 1

Engine Start

IMPORTANT

Only use Ultra Low Sulfur Diesel (ULSD) fuel and API CI-4/ACEA E5, E7 or API CJ-4/ACEA E9 grade engine oil.

If the fuel tank has been run dry or if the engine has not been used for a long time, bleed the fuel system.



AVOID DEATH OR SERIOUS INJURY

DO NOT USE STARTING FLUIDS. The starting system could cause the starting fluid to explode.



AVOID DEATH OR SERIOUS INJURY

Start the engine after sounding horn and making sure there are no bystanders or obstacles in the area.

Perform all steps in “Operational Checks Before Starting Engine” on page 3-5.

1. Unlatch articulated frame lock bar between front and rear frames. Secure lock plate to rear frame (Figure 2).

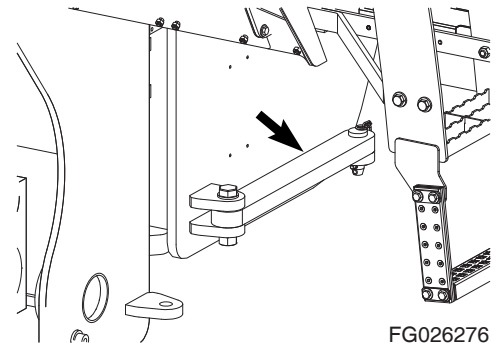


Figure 2

2. If the machine has a battery disconnect switch: Turn "ON" the power using the battery disconnect switch. The battery disconnect switch is located in the radiator grille of the rear side of machine.

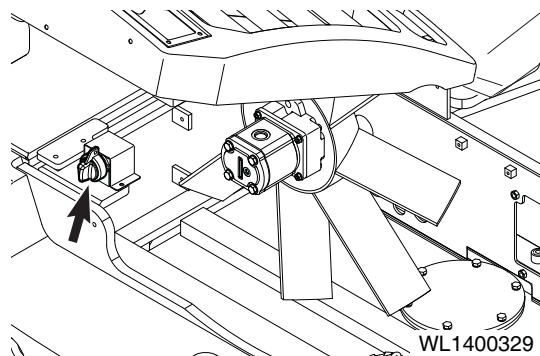
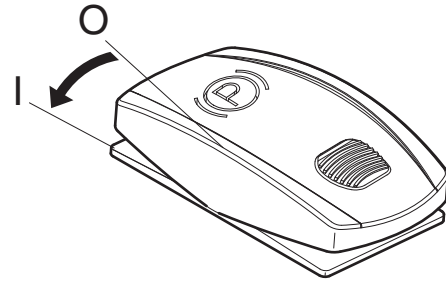


Figure 3

3. Set parking Brake switch to "I" (Engaged) position. This will ensure that parking brake is "Engaged".

NOTE: *The parking brake will automatically engage at key on state even if the parking brake switch is in the off position. To release the parking brake switch to "I" position (Turn ON), then back to "O" position (Turn OFF).*



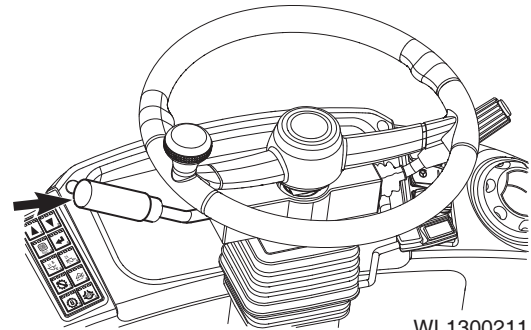
WL1300285

Figure 4

4. Move all control levers to "NEUTRAL" position.

IMPORTANT

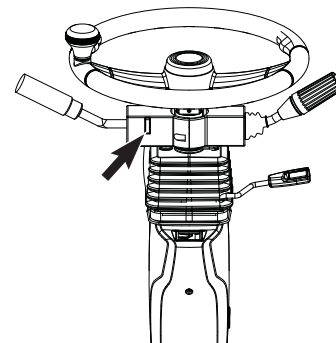
If transmission lever is not in "NEUTRAL" position, engine will not start.



WL1300211

Figure 5

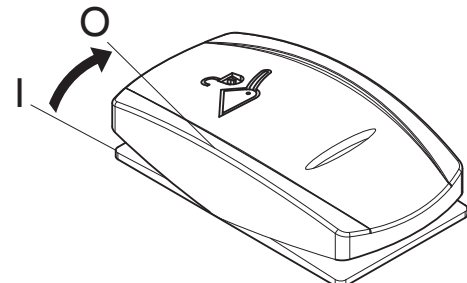
5. Make sure transmission neutral lock is in the "N" (NEUTRAL LOCK) position.



WL1400129

Figure 6

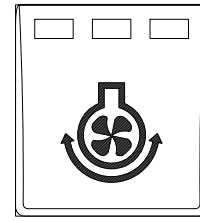
6. Set pilot cutoff switch to "O" position. This will "LOCK" pilot control valve lever (joystick).



FG019178

Figure 7

7. Set cooling fan reverse rotation switch OFF. This will prevent damage to the cooling system during normal operation.

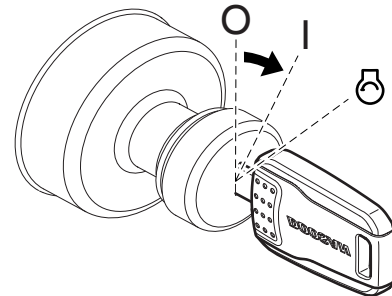


WL1300340

Figure 8

8. Rotate starter key to "I" (ON) position. All indicator lights should turn "ON".

NOTE: *If the machine is equipped with an emergency steering system, test system before starting engine. If system does not function properly, do not start machine. Follow test procedure given with test switch.*

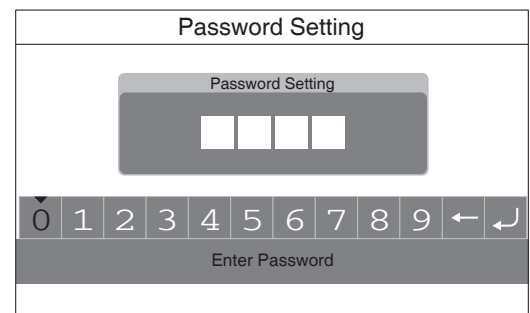


FG018147

Figure 9


9. Sound Horn
10. Enter Password

NOTE: *If the security system is "LOCKED", a four-digit password will be required to start the engine. If the system is "UNLOCKED", no password will be required and this display screen will not appear.*



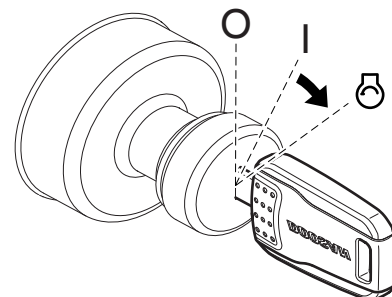
FG019188

Figure 10

11. Turn starter switch to  (START) position (Figure 11). Engine should start in approximately 5 seconds.

IMPORTANT

The starter motor can only be cranked twice for 30 seconds at a time. After that, it must rest and cool for at least five (5) minutes before attempting to start the engine again.



FG018149

Figure 11

12. After engine has started, release key. Key will return to "I" (ON) position (Figure 12).
13. Follow procedures in "Automatic Warming Up Operation" on page 3-10.

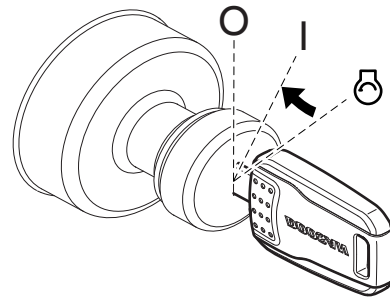


Figure 12

FG019173

14. After warming-up the machine, check all operating indicators to make sure that all engine systems (oil pressure, coolant, etc.) are in the normal operating range. If any problems are found, stop engine and correct the problem.

Normal indicators are:

| Instrument Panel Light or Gauge | Indicator Reading |
|------------------------------------|-------------------|
| Fuel Gauge | WHITE RANGE |
| DEF (AdBlue) Gauge | |
| Engine Coolant Temperature Gauge | |
| Transmission Oil Temperature Gauge | |
| Engine Oil Pressure Warning Light | OFF |
| Charging Warning Light | |
| Brake Oil Pressure Warning Light | |
| Parking Brake Light | ON |

NOTE: *Parking brake indicator light turns "ON" or "OFF" according to parking brake operation, regardless of engine starting.*

15. Check color of exhaust smoke:
 - No color or light blue - Engine is running in good condition.
 - Black - Incomplete combustion. Check cause.
 - White or dark blue - Engine is burning engine oil. Check cause.
16. Check for usual engine vibration and noises. If any are heard or felt, investigate cause.

NOTE: *If engine coolant temperature gauge pointer moves into the red zone, the engine coolant temperature warning light will turn "ON". Take the following action: Discontinue work and allow the engine to run at low idle speed until temperature gauge registers in the green zone again. When the green zone is reached, allow the engine to idle for an additional 3 - 5 minutes before stopping the engine. If not allowed to idle, heat surge may develop which will damage the engine. Allowing the engine to idle will dissipate heat. After engine has cooled, check coolant level, look for signs of leaks, clogged or dirty radiator fins (radiator core), and fan belt tension.*

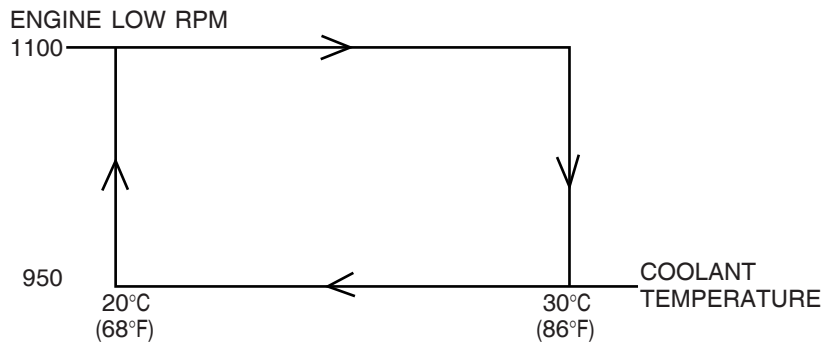
After Start Limit Logic

Bellow 15 degree, vehicle has the limit logic of the engine rpm to protect the engine

| Engine Temp.
(°C) | Time After Start (sec) | | | | |
|----------------------|------------------------|-------|-------|-------|-------|
| | 6 | 15 | 100 | 400 | 600 |
| -10 | 1,000 | 1,200 | 1,400 | 1,800 | 1,950 |
| 5 | 1,200 | 1,500 | 1,900 | 2,000 | 2,400 |
| 15 | 1,500 | 1,900 | 2,400 | 2,400 | 2,400 |

Automatic Warming Up Operation

This machine has an automatic warming up system.



FG023241

Figure 13

Running the Engine

Check instruments and warning lights at regular intervals.

Engine Speed Range

| | |
|----------------------|----------------------------------------------------------------------------------------------------------------------------------|
| 600 - 750 rpm | Low idling speed. Engine idling is controlled by the EMS control system. |
| Low Idle - 2,100 rpm | Engine operating speed range. Controlled by the EMS control system. |
| 2,100 - 2,600 rpm | Unsuitable operating speed, but a slightly higher engine speed than normal maximum operating speed can occur when load is light. |
| 2,600 - 3,000 rpm | Prohibited (Too High) engine speed. |

Fuel Heater Switch

This switch is used to activate the fuel heater system.

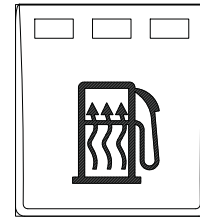
When the switch is activated, the fuel is warmed, depending upon the temperature of fuel.

NOTE: *If the fuel temperature is above 5°C (41°F), fuel heating system is not activated.*

Center LED light "ON": The fuel heater system is turned "ON".

Center LED light "OFF": The fuel heater system is turned "OFF".

NOTE: *The starter switch must be "ON".*



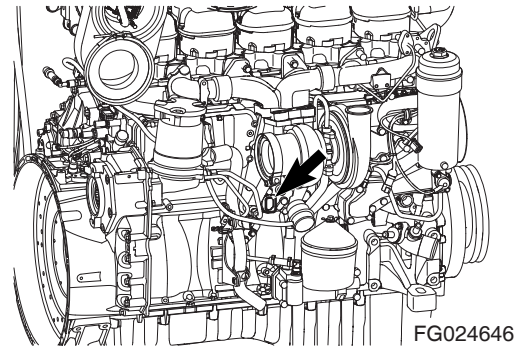
WL1300342

Figure 14

Plug Heater (Optional)

The plug heater helps start-up and operation of the engine and equipment at temperatures below -20°C (-4°F).

1. Attaching the cord
 - A. Align the cord and element pins on the heater. Press the cord onto the heater using even pressure across the cord cap. Place the clamp around bottom of cord cap and squeeze closed with pliers.
 - B. Route the cord to any convenient point and tie cord down to prevent damage and strain. Keep cord away from hot surfaces and moving objects.
2. Operating the plug heater



FG024646

Figure 15



CAUTION

AVOID INJURY

Do not plug into power supply before installation.

Do not plug into power supply before refilling coolant system.

- A. Plug heater into power supply and test for proper operation. The block near the heater should get hot.
- B. After starting engine, remove cord and store it at safe place. Don't move the machine before removing the cord.

NOTE: *Do not test heater before installation. This will cause the heater to fail and void the warranty.*

Check Oil Bath Precleaner (Optional)

In a particularly dusty environment, an oil bath precleaner may be installed with the existing dry type air cleaner. This will supply additional safety against damage to the engine. Check the outside and inside of oil cup every 250 hours.

IMPORTANT

The removable and fixed filters are the most sensitive operational parts of the precleaner. Unless they are kept clean, the precleaner cannot operate properly.

IMPORTANT

A plugged filter can lead to excessive engine wear and can also cause loss in engine power.

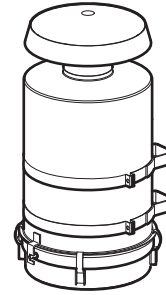


Figure 16

FG020186

EMISSION CONTROL SYSTEM

This machine is equipped with an engine exhaust emission control system that meets applicable engine EPA/CARB/EU exhaust emission regulations. The owner/operator is responsible for proper operation and maintenance of the emission control system as provided in this manual and the emissions related warranty provisions. The system provides a warning if there are faults in the Selective Catalytic Reduction System (SCR) system or if the level of reductant in the reductant tank is too low. For example, if doser cooling is not working, the engine torque is reduced.

Reaction at Low Reductant Level

DEF (AdBlue) Low Level Warning Symbol - EPA

| Reductant Level | Warning Symbol | Torque Reduction * |
|----------------------------------------------------------|---------------------------------|-----------------------------------------------------------------|
| 20% | Constant Symbol | |
| 10% | Flashing Every 2 sec. | Torque is reduced by 1% per minute to 70% of the highest torque |
| 0% | Flashing rapidly Every 0.5 sec. | Torque is reduced to 0% (low idling) within 2-10 minutes |
| * Applies only to engines certified according to Tier 4. | | |



FG019175

Figure 17

DEF (AdBlue) Low Level Warning Symbol - EU

| Reductant Level | Warning Symbol | Torque Reduction * |
|----------------------------------------------------------|-----------------|--------------------|
| 20% | Constant Symbol | None |
| 0% | Flashing | None |
| * Applies only to engines certified according to Tier 4. | | |

The engine resumes normal torque after reductant has been filled to a level of at least 20%.

Reaction to Faults in SCR System (Only EPA)

| Time | Warning Symbol | Torque Reduction * |
|----------------------------------------------------------|---------------------------------|-----------------------------------------------------------------|
| Fault detected | Constant Symbol | |
| After 1 hour | Flashing Every 2 sec. | Torque is reduced by 1% per minute to 70% of the highest torque |
| After 4 hours | Flashing rapidly Every 0.5 sec. | Torque is reduced to 0% (low idling) within 2-10 minutes |
| * Applies only to engines certified according to Tier 4. | | |



FG019176

Figure 18

Once the fault has been corrected and the engine control unit received indication that it is working, engine torque returns to the normal level.

If a new fault occurs within 40 hours of operation since the first fault, the warning symbol will come on. After 30 minutes of operation, the warning symbol will flash rapidly and engine torque will be reduced to 0% (low idling) within 30 minutes.

IMPORTANT

If the engine torque was reduced to 0% (low idling), the engine control unit will not detect that SCR system is functioning. Reset the system so normal torque is available.

NOTE: *Torque reduction applies only to engines certified according to Tier 4.*

Coolant Temperature

Normal coolant temperature during operation is 80°C - 90°C (176°F - 194°F)

Alarm levels are set in the engine control unit. The default setting for the lowest and highest limit values for high temperature are 103°C (217°F) and 105°C (221°F) respectively.

The following function is standard as alarm for high coolant temperature:

- Alarm and torque reduction at the lowest limit value.

The following alarm functions may also be found, depending on how the engine is ordered:

- Alarm only.
- Alarm and engine shutdown at the highest limit value.
- Alarm, torque reduction at the lowest limit value and engine shutdown at the highest limit value.
- Alarm and engine shutdown at the highest limit value with override control.
- Alarm, torque reduction at the lowest limit value and engine shutdown at the highest limit value, with engine shutdown override control.

If operated for extended periods under an extremely light load, the engine may have difficulty in maintaining normal operating temperature. At an increased load, the temperature rises to the normal value.

IMPORTANT

An excessively high coolant temperature can damage the engine.

Engine Oil Pressure

Information about the normal and lowest permitted oil pressures is contained in the section headed Technical Data.

The control system has the following alarm levels:

- At an engine speed of less than 1,000 rpm and an oil pressure of less than 0.7 kg/cm² (0.7 bar (10 psi)).
- At an engine speed of more than 1,000 rpm and an oil pressure of less than 2.5 kg/cm² (2.5 bar (36 psi)) for longer than three (3) seconds.

The following function is standard as alarm for incorrect oil pressure:

- Alarm and torque reduction by 30%.

The following alarm functions may also be found, depending on how the engine is ordered:

- Alarm only.
- Alarm and engine shutdown.
- Alarm and engine shutdown with override control.

NOTE: *High oil pressure (above 6 kg/cm² (6 bar (85 psi)) is normal when starting a cold engine.*

Charging Indicator Light

If the light comes on during operation:

- Check and adjust the alternator drive belts. For more information refer to the Inspection, Maintenance and Adjustment section in this manual.

If the charging indicator light is still on, this could be because of an alternator fault or a fault in the electrical system.

Stopping Engine

NOTE: *Allow engine to idle for three - five (3 - 5) minutes to cool down, before stopping the engine. If not allowed to idle, heat surge may develop which will damage the engine.*

1. Park machine on firm and level ground.
2. Move transmission lever to "NEUTRAL" position.

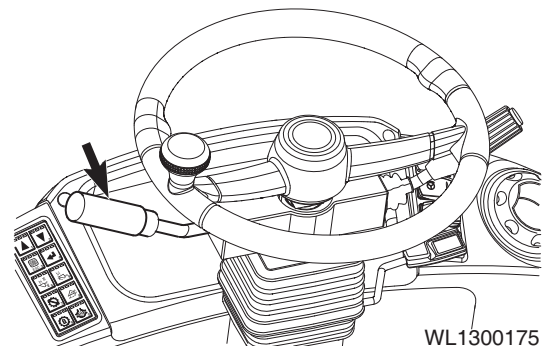
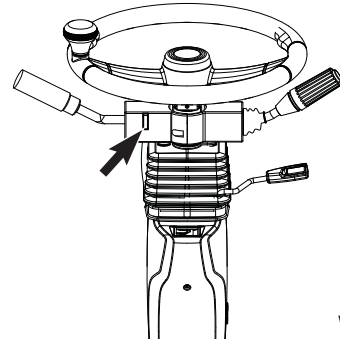


Figure 19

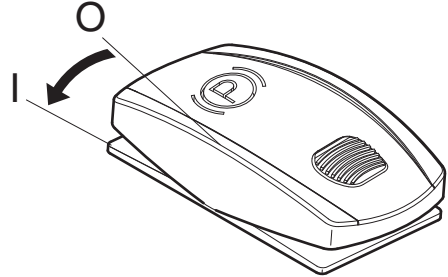
3. Make sure transmission neutral lock is in the "N" (NEUTRAL LOCK) position.



WL1400129

Figure 20

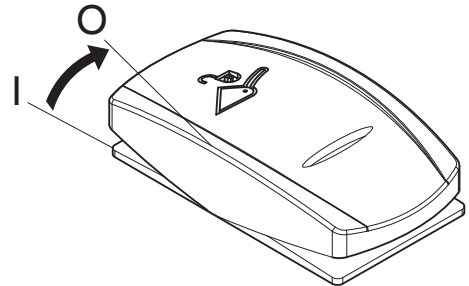
4. Set parking brake switch to "I" (ENGAGED) position. This will ensure that parking brake is "ENGAGED".



WL1300285

Figure 21

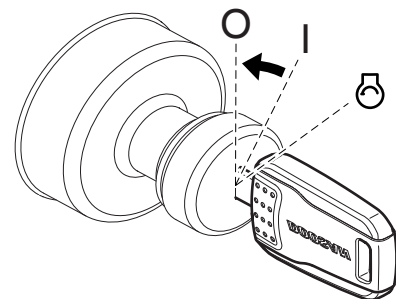
5. Lower bucket or work tool to the ground.
6. Put pilot cutoff switch to "O" (LOCK) position. This will "LOCK" pilot control valve lever (joystick).
7. Allow engine to idle for 3 - 5 minutes to cool down.



FG019178

Figure 22

8. Rotate starter key to "O" (OFF) position and stop engine. Remove key.



FG018156

Figure 23

Checks and Maintenance After Stopping Engine



WARNING

AVOID DEATH OR SERIOUS INJURY

Block the starting device when working on the engine. If the engine starts unexpectedly, there is a risk of death or serious injury.

There is always a risk of sustaining burns from hot engine parts (e.g. manifolds, turbocharger, oil, coolant etc.) Allow engine and engine components to cool before servicing.

1. Park the machine on dry, level and hard ground.
2. Repair machine if there are any coolant or oil leaks.
3. Inspect bucket, attachment and frame for damage. Check that bucket or attachment is secure. Correct any problems.
4. Fill fuel tank and drain any water collected in the fuel system to prevent it from freezing.
5. Inspect and remove accumulated flammable materials, such as leaves, paper, etc. in engine compartment.
6. Clean all mud, debris, etc. from undercarriage and tracks. Make sure that all steps and handholds are clean, and that operator's cabin is clean.
7. Check that power supply has been turned "OFF".
8. Check the cooling system for the correct antifreeze mixture.
9. At temperatures below 0°C (32°F), prepare for the next start by connecting the engine heater (if equipped).

MACHINE TRAVEL



WARNING

AVOID DEATH OR SERIOUS INJURY

1. Before operating the machine, make sure there are no bystanders near the machine or property in the way or on the machine. No riders. Sound the horn to alert workers and bystanders that you are about to move the machine.
 2. Always be sure the path is clear during travel.
 3. If the machine is moved while parking brake is engaged, serious damage to parking brake system will result.
 4. Select a transmission gear that is appropriate for the top speed that will be driven. Choosing a gear that is too high will reduce acceleration and could overheat the transmission converter oil.
 5. Never place transmission in "NEUTRAL" when going down a hill. Over speeding transmission can damage transmission gears.
 6. Use extreme caution when reversing travel. Be sure there is a clear path behind the machine. Look in travel direction.
 7. Never change direction of vehicle travel at high-speed. Serious damage to transmission will result.
 8. Before leaving the operator's seat, lower the bucket or work tool to the ground. Lock out all control systems and stop engine to avoid accidental activation of controls.
-
1. Unlatch articulated frame lock bar between front and rear frames before traveling. Secure lock plate to rear frame (Figure 24).

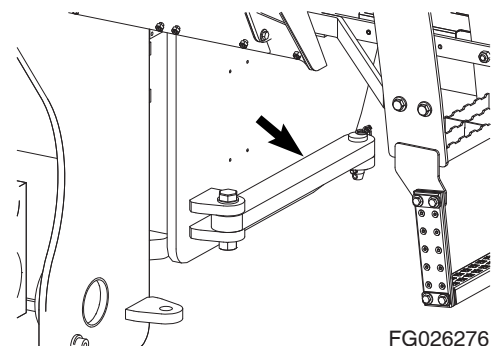
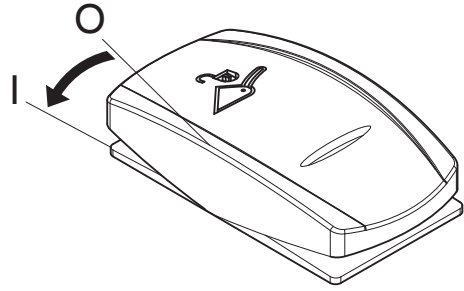


Figure 24

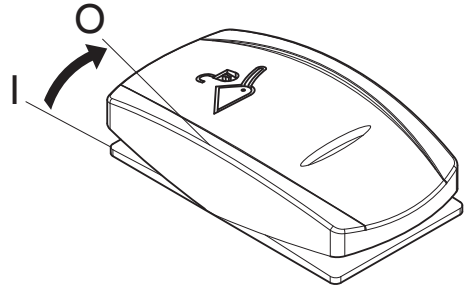
2. Set pilot cutoff switch to "I" (UNLOCKED) position. Raise bucket to a height of 20 - 30 cm (8 - 12 in) above the ground. Tilt bucket completely back.



FG019169

Figure 25

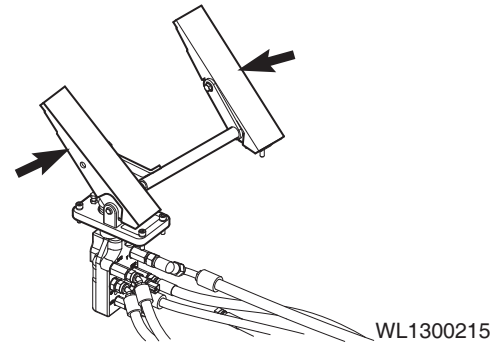
3. Set pilot cutoff switch to "O" (LOCKED) position. This will prevent boom and bucket from accidentally moving during travel, if the pilot control valve lever (joystick) is activated.



FG019178

Figure 26

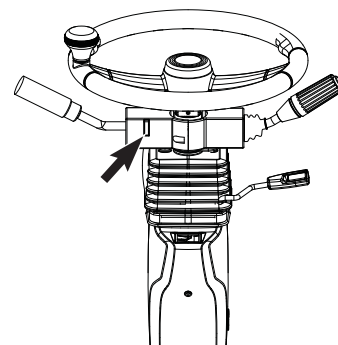
4. Press brake pedal.



WL1300215

Figure 27

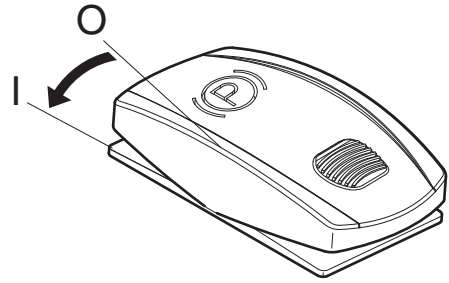
5. Set transmission neutral lock in the "D" (DRIVE) position.



WL1400129

Figure 28

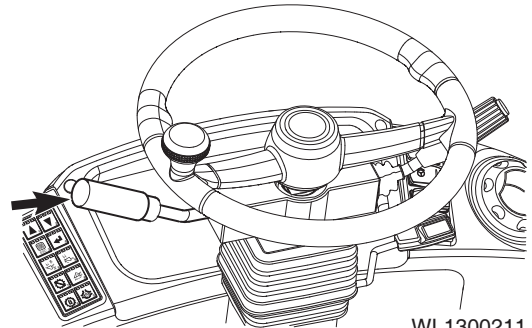
6. Set parking brake switch to "O" (RELEASE) position. This will "RELEASE" the parking brake.



WL1300285

Figure 29

7. Place transmission lever in desired gear. Shift gears one by one. Do not skip from 1st to 3rd gear, for example.
8. Shift transmission lever to "FORWARD" gear position.



WL1300211

Figure 30

9. Release the brake pedal while slowly pressing the accelerator pedal to move the machine.

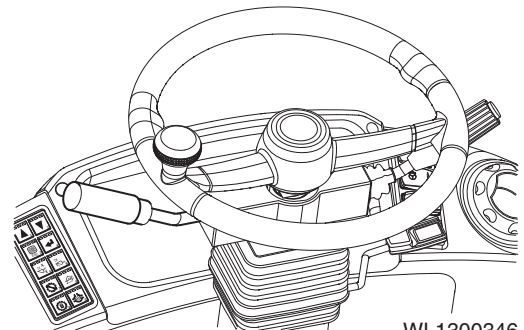


WARNING

AVOID DEATH OR SERIOUS INJURY

When traveling at high-speed or on a steep hill, do not make sharp changes in direction. This could cause vehicle to tip or roll-over.

When traveling or changing direction, always look in travel direction. Keep bystanders away from work area.



WL1300346

Figure 31

IF ENGINE STALLS WHILE TRAVELING

BRAKE SYSTEM: The brakes can be applied approximately nine (9) times by pressing the brake pedal because of the oil pressure stored in the accumulator after engine is turned "OFF". If the engine stalls while traveling, move to an out of traffic area and apply the parking brake. Do not pump the brake pedal, this will release all oil pressure stored in the accumulator causing the service brakes to not work. The parking brake can be activated to stop the wheel loader in an emergency.

WORKING IN WATER

The water depth needs to be taken into consideration when the loader is working in swampy areas. Do not enter water whose depth exceeds the loader's minimum ground clearance height or is high enough to wet the bottom of the axle housing. As a rule of thumb, the allowable water depth is about 400 mm (16 inches). This means that loader should not be used in a river.

Observe the following conditions:

1. Check the water depth in advance when crossing across a river.
2. Use the same precautions before crossing across a swampy area.
3. Do not enter rivers whose riverbed is steep or has a rapid flow.

IMPORTANT

Avoid use of the loader in salt water. Salt water will cause rust which will shorten the life of the machine.

TOWING

When necessary to tow another vehicle, towrope must be tied to towing pin on counterweight at rear of vehicle.

NOTE: *The loader must be used for towing only in an emergency.*

IMPORTANT

Do not tow machine at a speed over 10 km/h (6 MPH) and do not tow machine farther than 10 km (6 mi). This will prevent damage to machine transmission that would result from lack of lubrication.



WARNING

AVOID DEATH OR SERIOUS INJURY

When towing another vehicle on a public road, let other vehicles and people know that you are towing another vehicle. Use a flag, rotating beacon light, or hazard light to alert others.

NOTE: *Always follow applicable laws and regulations about towing another vehicle.*

If machine is being towed by another vehicle and engine will not start, remove front and rear driveshafts otherwise transmission will rotate without being properly lubricated, causing transmission damage. Before removing them, apply parking brake and securely block wheels to prevent machine from moving.

If engine can be started and steering wheel and brakes function normally, have another person seated in the operator's seat to steer the machine when it is towed.

Before towing a vehicle make sure that the following items have been checked:

- Check weights of loader and vehicle being towed. Make sure machine has sufficient braking capacity to stop towed vehicle.
- Check if vehicle being towed can brake and steer. If not, do not allow anyone to ride on towed vehicle.
- Check towrope or tow bar for damage and make sure it has sufficient strength for work.
- When necessary to descend a grade, another towing vehicle must be used in rear to provide additional braking.

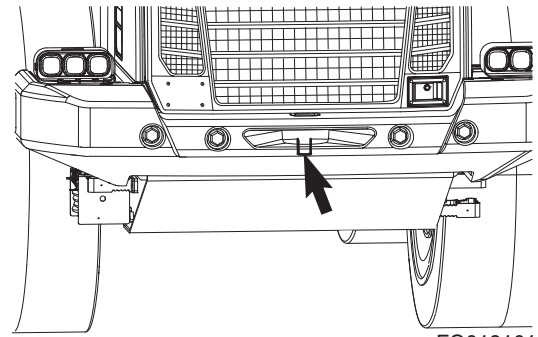
To prevent death or serious injury when towing, always do the following:

- Follow the instruction given in this manual.
- When performing preparation work for towing with two or more personnel, determine signals to use and correctly follow these signals.
- Always attach wire rope onto left and right hooks and secure in position.
- If engine on problem machine will not start or there is a failure in brake system, always contact your DOOSAN distributor.
- Never go between towing machine and towed machine during towing operation.
- Do not perform towing on steep slopes, so select a place where slope is gradual. If there is no place where slope is gradual, perform operations to reduce angle of slope before starting towing operation.
- When towing a machine, always use a wire rope with a sufficient towing capacity.
- Do not use a wire rope that is kinked or frayed, or a wire rope with any loss of diameter. Wear leather gloves when handling a wire rope.
- Do not use lightweight towing hook for towing another machine.
- Make sure that towing eyes and towing devices are adequate for towing loads.
- Only connect wire rope to a drawbar or to a hitch.
- Operate the machine slowly and be careful not to apply any sudden load to wire rope.

If any mistake is made in method of selecting or inspecting wire rope or in method of towing, it can result in death or serious injury.

Always do the following:

- Always use the method of towing given in this Operation & Maintenance Manual. Do not use any other method.
- When towing a problem machine, always use a wire rope with a sufficient towing capacity.



FG019101

Figure 32

F/R (FORWARD/REVERSE) TRAVEL CONTROL SYSTEM

An optional F/R (Forward/Reverse) travel control system can be installed as an option on the machine. With this system installed, the operator's left-hand can remain on the steering wheel during operation, and not have to manually move the transmission lever between forward and reverse.

To activate system, perform the following steps:

1. Place transmission lever in "NEUTRAL".

NOTE: *Do not move the transmission lever out of "NEUTRAL". If the lever is moved, the system will be deactivated.*

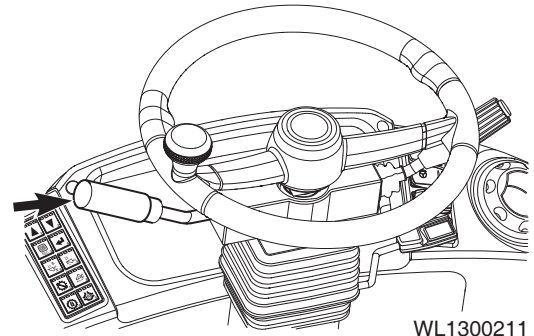
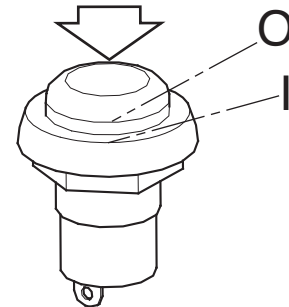


Figure 33

2. Press F/R selector switch to "I" position, and then release. The switch will return to "O" position, but the system will be activated. When system is activated, the F/R selector indicator light (Figure 34) will be turned "ON".



FG005480

Figure 34

3. The F/R control switch is then used to control the travel direction of the machine.

O. In this position, the machine is in "NEUTRAL".

I. In this position, the machine travels "FORWARD".

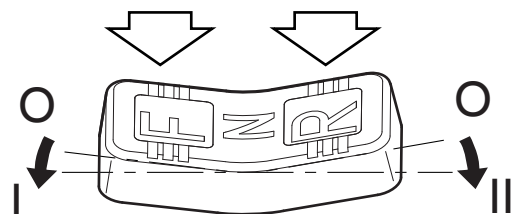
II. In this position, the machine travels in "REVERSE".

4. The F/R travel control system will stay activated until one of two things happen.

A. The transmission lever is moved out of "NEUTRAL" into "FORWARD" or "REVERSE".

B. The starter switch is turned "OFF".

When the system is deactivated, the F/R selector indicator light will be turned "OFF".



FG015182

Figure 35

MACHINE SHUT DOWN

1. Ease off throttle and apply travel brakes.

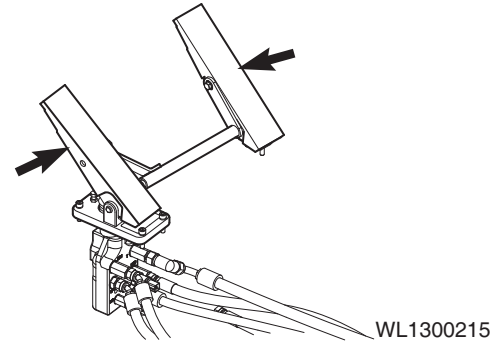


Figure 36

2. Move transmission lever to "NEUTRAL".

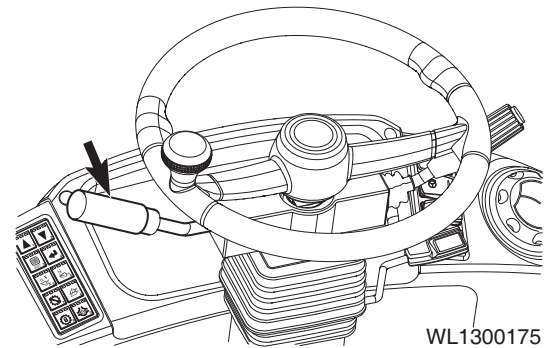


Figure 37

3. Set transmission neutral lock in the "N" (NEUTRAL LOCK) position.



AVOID INJURY

"LOCK" transmission lever. Whenever machine is parked, "LOCK" transmission lever in "NEUTRAL" to prevent accidental machine movement.

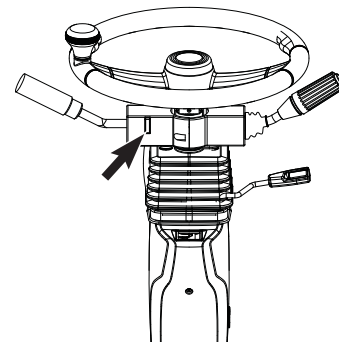


Figure 38

4. Set parking brake switch to "I" (ENGAGED) position. This will ensure that parking brake is "ENGAGED".

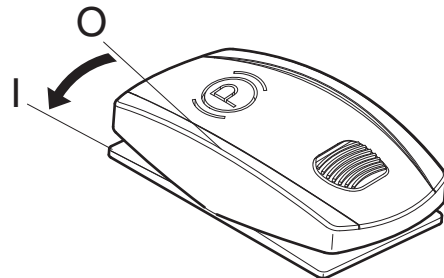
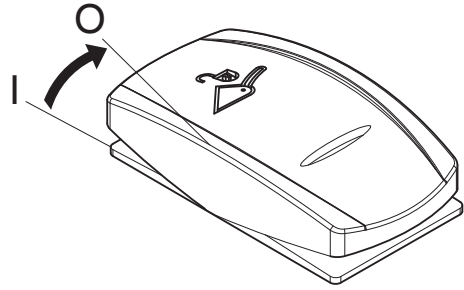


Figure 39

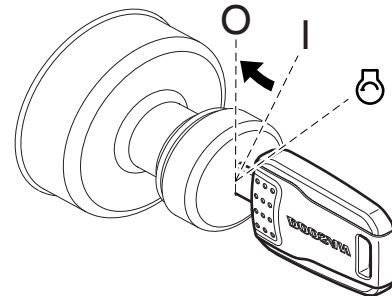
5. Set bucket or work tool on ground.
6. Set pilot cutoff switch to "O" (LOCKED) position. This will lock pilot control valve lever (joystick).
7. Allow engine to idle for 3 - 5 minutes to cool down. Stopping a turbocharged engine without a cool down period can seriously damage turbocharger.



FG019178

Figure 40

8. Rotate starter key to "O" (OFF) position to stop engine. Remove key.



FG019181

Figure 41

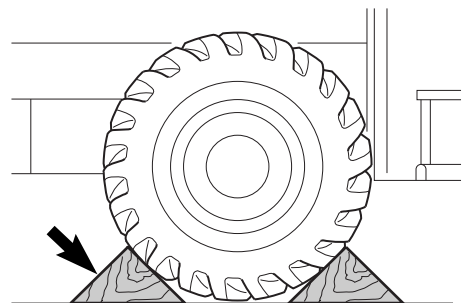
9. If machine is parked on a slope, install wheel chock in front of and behind the wheels.



WARNING

AVOID DEATH OR SERIOUS INJURY

Always secure machine with wheel chock when parked on a slope. Leaving machine in gear will provide no braking effect because transmission clutch is hydraulically operated. When engine is turned "OFF", there is no hydraulic pressure in transmission and clutch is not engaged.



2876A

Figure 42

OPERATION OF ATTACHMENT

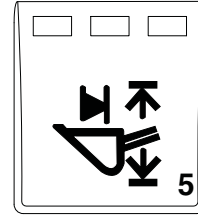
Arm Angle Sensor Switch

OFF : Boom kick-out is turned "OFF".

Center LED light "ON": Boom kick-out turned "ON".

Center LED light "Blinking" : Press button for one second, Set adjusting the current boom position.

Left and Right LED light : Not available

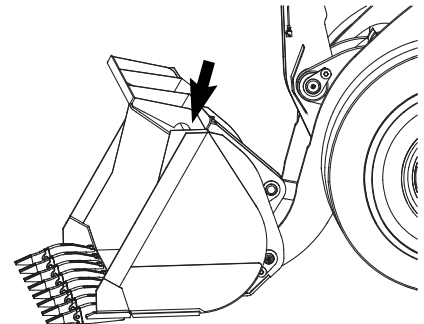


WL1300348

Figure 43

BUCKET ANGLE INDICATOR

Top of bucket side plate indicates angle of bottom of bucket. Top of side plate is parallel with bottom of bucket. If bottom of bucket is not visible, top of side plate will be visible.



FG001661

Figure 44

ADJUSTMENT OF BUCKET POSITION SWITCH

When bucket lever is held in crowd detent position and after bucket has been dumped, bucket will pivot toward crowd position. Once full crowd position has been reached, bucket lever will automatically return to "NEUTRAL" position. If bucket is lowered after lever returns to "NEUTRAL", bucket will automatically position itself to be in a preselected digging position (usually flat). To adjust bucket to desired preselected digging position, perform the following steps.

1. Operate controls to place bucket on ground and in desired digging position (usually flat). Return bucket lever to its "NEUTRAL" position.
2. Stop engine.
3. Loosen bolts (1, Figure 45) on bracket (2, Figure 45).
4. Position bracket (2, Figure 45) so end of arm (3, Figure 45) is aligned with center of magnetic switch (4, Figure 45).
5. Tighten bolts (1, Figure 45).
6. Start engine. Raise boom, dump bucket, then move bucket lever into crowd detent position. Lower boom and check to see that bucket has stopped at required position. A small readjustment of bracket (2, Figure 45) may be necessary.

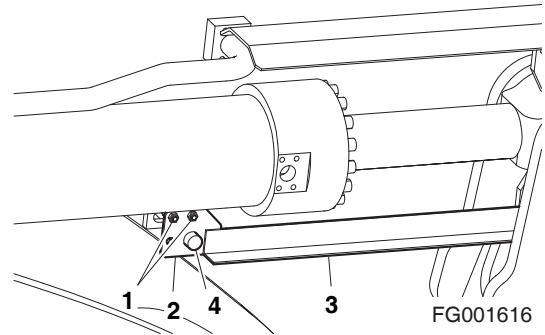


Figure 45

Bucket Angle Sensor Switch (Optional)

NOTE: *E-MCV is the electric control valve (optional)*

OFF : Return to dig is turned "OFF".

Center LED light "ON": Return to dig turned "ON".

Center LED light "Blinking": Press button for 1 second, Set adjusting the current bucket position.

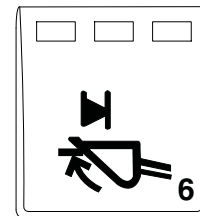


Figure 46

WL1300349

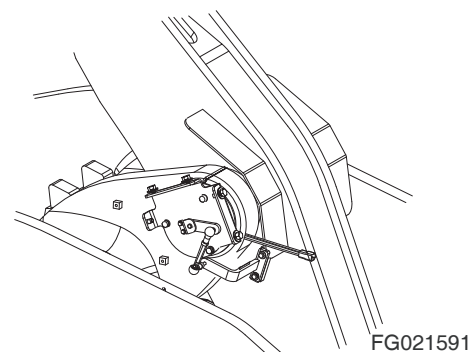


Figure 47

OPERATION UNDER ABNORMAL CONDITIONS

NOTE: See "Severe Conditions Maintenance" on page 4-111 for other recommendations.

Operation in Extreme Cold

In extremely cold weather, avoid sudden travel movements and stay away from even on gradual slopes. The machine could slide down the slope.

Snow and ice accumulation could cause potential hazards such as slippery surfaces.

Warming up engine for a short period may be necessary, to avoid operating with a sluggish or reduced working capacity. The jolting shocks and impact loads caused by bumping or bottoming boom or attachment could cause severe stress in very cold temperatures. Reducing the work cycle rate and workload may be necessary.

If machine is to be operated in extremely cold weather temperatures, certain precautions must be taken. The following paragraphs detail checks to be made to ascertain if the machine is capable of operating at these temperatures.

1. Check cooling system for correct mixture of antifreeze solution for lowest expected temperature. Carefully inspect cooling system and repair as necessary.
2. Keep batteries fully charged to prevent freezing. If distilled water is added to batteries, run engine at least one (1) hour to mix electrolyte solution.
3. Keep engine in good mechanical condition for easy starting and good performance during adverse weather.
4. Use engine oil with proper specifications for expected temperatures. Refer to "Table of Recommended Lubricants" on page 4-24, in this manual or Shop Manual for details.
5. Always keep fuel tank full. Drain condensation from tank before and after operation. Drain and service fuel filter. To eliminate clogging of fuel filters because of wax crystal formation in fuel, be sure that fuel used has a cloud point specification below lowest expected temperature.
6. Lubricate entire machine according to Periodic Service Table and Chart Section 4, in this manual, or lubrication chart on machine.

(If equipped) Choose proper greases for auto grease system. Contact your DOOSAN distributor to get more information.
7. Start engine and allow it to reach normal operating temperature before operating.

To warm coolant lines, use the engine coolant heater or the plug heater (See page 3-11). These components help warm coolant, and engine oils as well.

To warm fuel lines, activate the fuel heater.

- If mud and ice collects and freezes on any of moving parts while machine is idle, apply heat to thaw frozen material before attempting to operate machine.
- Operate hydraulic units with care until they have reached a temperature which enable them to operate normally.
- Check all machine controls and functions to be sure they are operating correctly.

8. Transmission Warm-up (Cold Start)

At an oil temperature in the shifting circuit $< -12^{\circ}\text{C}$, the transmission must be warmed up for some minutes.

This must be done in neutral at an increased engine speed (approximately 1500 min^{-1}). Until this oil temperature is reached, the electronics remain in neutral.

After this oil is warmed up enough (Oil temperature in the shifting circuit $\geq -12^{\circ}\text{C}$), the full driving program can be utilized out of "NEUTRAL".

9. An extra outer air filter must be kept in operator's cabin to replace element that could become iced and cause restricted airflow to engine.
10. Clean off all mud, snow and ice to prevent freezing. Cover machine with a tarp if possible and keep ends of tarp from freezing to ground.

Operation in Extreme Heat

Continuous operation of machine in high temperatures can cause machine to overheat. Monitor engine and hydraulic system temperatures and stop machine to let it cool, when necessary.

1. Make frequent inspections and services of fan and radiator. Check coolant level in radiator. Check grilles and radiator fins for accumulation of dirt, debris and insects which could block cooling passages.
 - Formation of scale and rust in cooling system occurs more rapidly in extremely high temperatures. Change antifreeze each year to keep corrosion inhibitor at full strength.
 - If necessary, flush cooling system periodically to keep passages clear. Avoid use of water with a high alkali content which increases scale and rust formation.
2. Check level of battery electrolyte daily. Keep electrolyte above plates to prevent damage to batteries. Use a slightly weaker electrolyte solution in hot climates. Batteries self-discharge at a higher rate if left standing for long periods at high temperatures. If machine is to stand for several days, remove batteries and store in a cool place.

IMPORTANT

Do not store acid type storage batteries near stacks of tires. Acid fumes can damage rubber.

3. Service fuel system as directed in "Fill Fuel Tank" on page 4-39 and "Check for Leaks in Hydraulic System" on page 4-39 of this manual. Check for water content before filling fuel tank. High temperatures and cooling off cause condensation in storage drums.
4. Lubricate as specified in Periodic Service Chart and Table in Section 4, in this manual or on the Lubrication Decal on machine.
5. Do not park machine in sun for long periods of time. If possible, park machine under cover to protect it from sun, dirt and dust.
 - A. Cover machine if no suitable shelter is available. Protect engine compartment and hydraulics from dirt and debris.
 - B. In hot, damp climates, corrosion will occur on all parts of machine and will be accelerated during rainy season. Rust and paint blisters will appear on metal surfaces and fungus growth on other surfaces.
 - C. Protect all unfinished, exposed surfaces with a film of preservative lubricating oil. Protect cables and terminals with ignition insulation compound. Apply paint or suitable rust preventive to damaged surfaces to protect them from rust and corrosion.

Operation in Dusty and Sandy Areas

Operation of machine can cause dust in almost any area. However, when in predominantly dusty or sandy areas, additional precautions must be taken.

1. Keep cooling system fins and cooling areas clean. Blow out with compressed air, if possible, as often as necessary.



WARNING

AVOID DEATH OR SERIOUS INJURY

Wear goggles when using compressed air to prevent face or eye injury.

2. Use care when servicing fuel system to prevent dust and sand from entering tank.

3. Service air cleaner at frequent intervals, check air restriction indicator daily and keep dust cup and dust valve clean. Prevent dust and sand from entering engine parts and compartments as much as possible.
4. Lubricate and perform services outlined on current lubrication chart on machine and Lubrication Chart and Table in Section 4 in this manual. Clean all lubrication fittings before applying lubricant. Sand mixed with lubricant becomes very abrasive and accelerates wear on parts.

(If equipped) Consider lengthening lubrication time of central lubrication pump the following your working condition.
5. Protect machine from dust and sand as much as possible. Park machine under cover to keep dust and sand from damaging machine.

Operation in Rainy or Humid Conditions

Operation under rainy or humid conditions is similar to that as in extreme heat procedures previously listed.

1. Keep all exposed surfaces coated with preservative lubricating oil. Pay particular attention to damaged or unpainted surfaces. Cover all paint cracks and chip marks as soon as possible to prevent corrosive effects.

Operation in Saltwater Areas

Saltwater and saltwater spray is very corrosive. When operating in or around saltwater areas, or in or around snow, observe the following precautions:

1. When exposed to saltwater, dry machine thoroughly and rinse with freshwater as soon as possible.
2. Keep all exposed surfaces coated with preservative lubricating oil. Pay attention to damaged paint surfaces.
3. Keep all painted surfaces in good repair.
4. Lubricate machine as prescribed on lubrication chart on machine or Periodic Service Table and Chart, Section 4, in this manual. Shorten lubricating intervals for parts exposed to salt water.
5. Check operating controls to ensure proper functionality and that they return to "NEUTRAL" when released.

Operation at High Altitudes

Operation instructions at high altitudes are the same as those provided for extreme cold. Before operating at high altitudes, engine fuel and air mixture may have to be adjusted according to the applicable specifications in the engine manual.

1. Check engine operating temperature for evidence of overheating. The radiator cap must make a perfect seal to maintain coolant pressure in cooling system.
 - Perform warming-up operation thoroughly. If machine is not thoroughly warmed-up before control levers or control pedals are operated, reaction of machine will be slow.
 - If battery electrolyte is frozen, do not charge battery or start engine with a different power source. There is a potential hazard that could cause a battery explosion or fire.
 - Before charging or starting engine with a different power source, thaw battery electrolyte and check for any leakage of electrolyte before starting.

Operation During Electrical Storms

During electrical storms, do not enter or exit machine.

- If you are off machine, keep away from machine until storm passes.
- If you are in cabin, remain seated with engine off until storm passes. Do not touch controls or anything metal.

LONG TERM STORAGE

When a machine is taken out of service and stored for a time exceeding thirty (30) days, steps must be taken to protect the machine. Leaving the machine and work equipment outdoors exposed to the elements will shorten their life.

An enclosure will protect the machine from rapid temperature changes and lessen the amount of condensation that forms in hydraulic components, engine, fuel tank, etc. If it is not possible to put the machine in an enclosure, cover it with a waterproof tarpaulin.

Check that storage site is not subject to flooding or other natural disasters.

After the machine has been positioned for storage and the engine stopped, perform the following operations:

Before Storage

Keep the machine in the position to prevent rust of the hydraulic piston rods.

- Inspect for damaged, loose or missing parts.
- Repaint areas as necessary to prevent oxidation.
- Wash and clean all parts of machine.
- Replace any damaged or missing decals.
- Store the machine in an indoor, stable place. If stored outside, cover with a waterproof tarp.
- Perform lubrication procedures on all grease points.
- Apply a coating of light oil to the exposed plated metal surfaces (such as hydraulic cylinder rods, etc.) and to all the control linkage and control cylinders. (Control valve spools, etc.)
- Remove battery from the machine to be fully charged and stored.
- Inspect the coolant recovery tank and radiator to make sure the antifreeze level in the system is correct. Make sure that antifreeze concentration is enough for the lowest temperature anticipated during storage.
- Seal all external openings (i.e., engine exhaust outlet, crankcase and hydraulic breather, fuel vent line, etc.) with tape wide enough to cover the opening, regardless of size.

NOTE: *When sealing with tape, be sure to extend tape approximately one inch (25 mm) beyond opening to ensure a good seal.*

During Storage

- Once a month, start the engine and follow the "Hydraulic Oil Warm-up" procedures listed in this manual.

NOTE: *Remove all seals from the machine (i.e. crankcase and hydraulic breathers, engine air intake, fuel tank vent lines, etc.).*

Operate hydraulic functions for traveling, boom and attachment two or three times for lubrication after "Hydraulic Oil Warm-up". Coat all the moving parts and surfaces of the components with a new oil film after operating. At the same time, charge the battery.

- (If equipped) Everyday, turn on the central lubrication pump over 1 cycle (approximately 10 minutes). Use the lubrication switch in cabin.
- Every ninety (90) days, use a hydrometer to measure the protection of the coolant. Refer to the antifreeze/coolant protection chart to determine necessary protection of the cooling system. Add coolant as required.

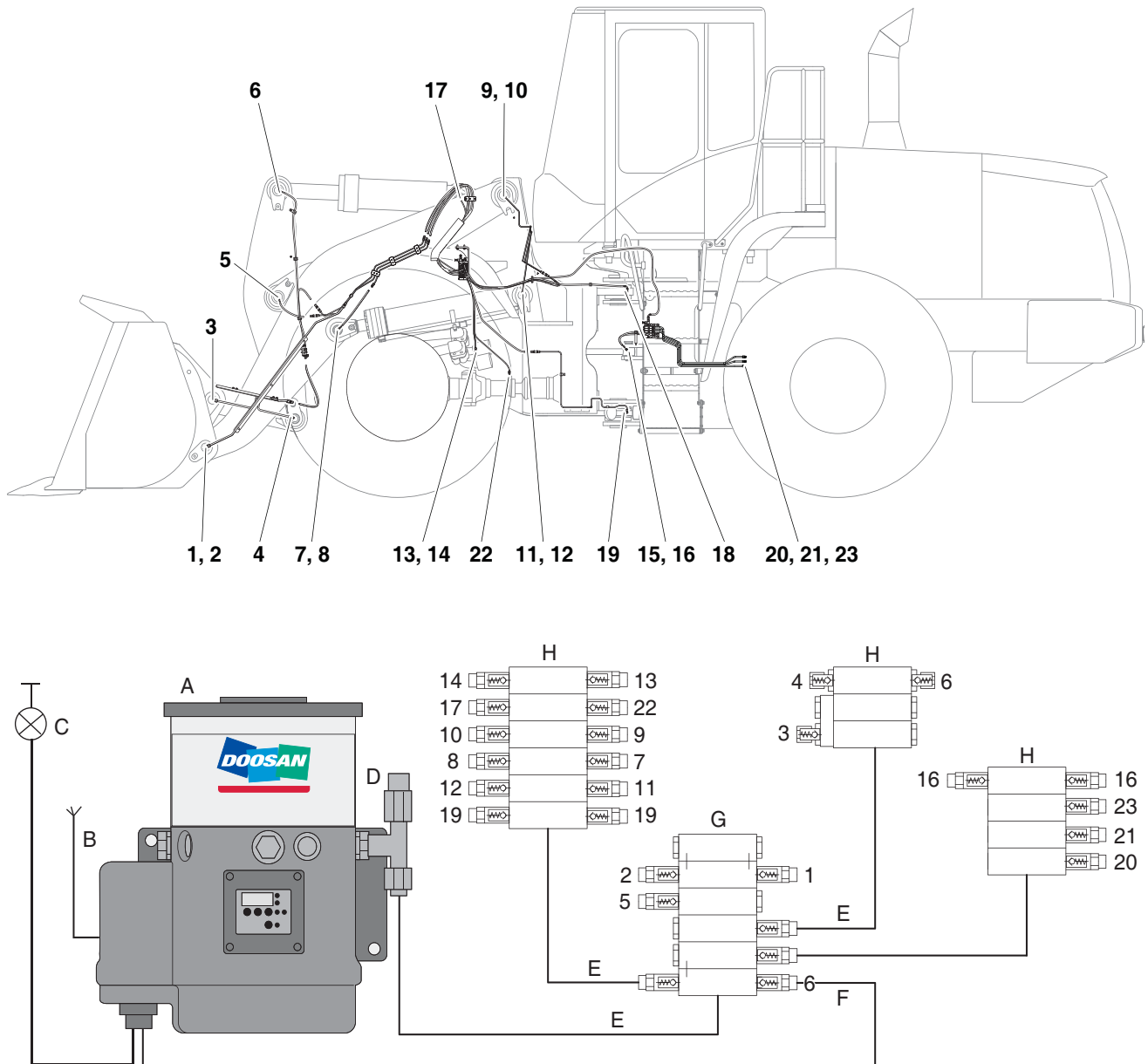
After Storage

- Before operating the work equipment, remove all grease from the hydraulic cylinder rods.
- Add grease and oil at all lubrication points.
- Adjust fan and alternator belt tension.
- Connect the charged battery.
- Check condition of all hoses and connections.
- Check the levels of engine oil, fuel, coolant and hydraulic circuit oil. If there is water in the oil, change all the oil.
- (If equipped) Check the reservoir of the central lubrication pump. Change the grease if it is divided into two layers, oil and soap. It can cause blockage of system.
- Change all filters.
- Inspect for signs of nests. (i.e., birds, rodents, etc.)
- When starting the engine after long-term storage, follow the "Hydraulic Oil Warm-up" procedures listed in this manual.

AUTO GREASE SYSTEM (OPTIONAL)

Overview

DOOSAN Auto grease system is called "progressive system".



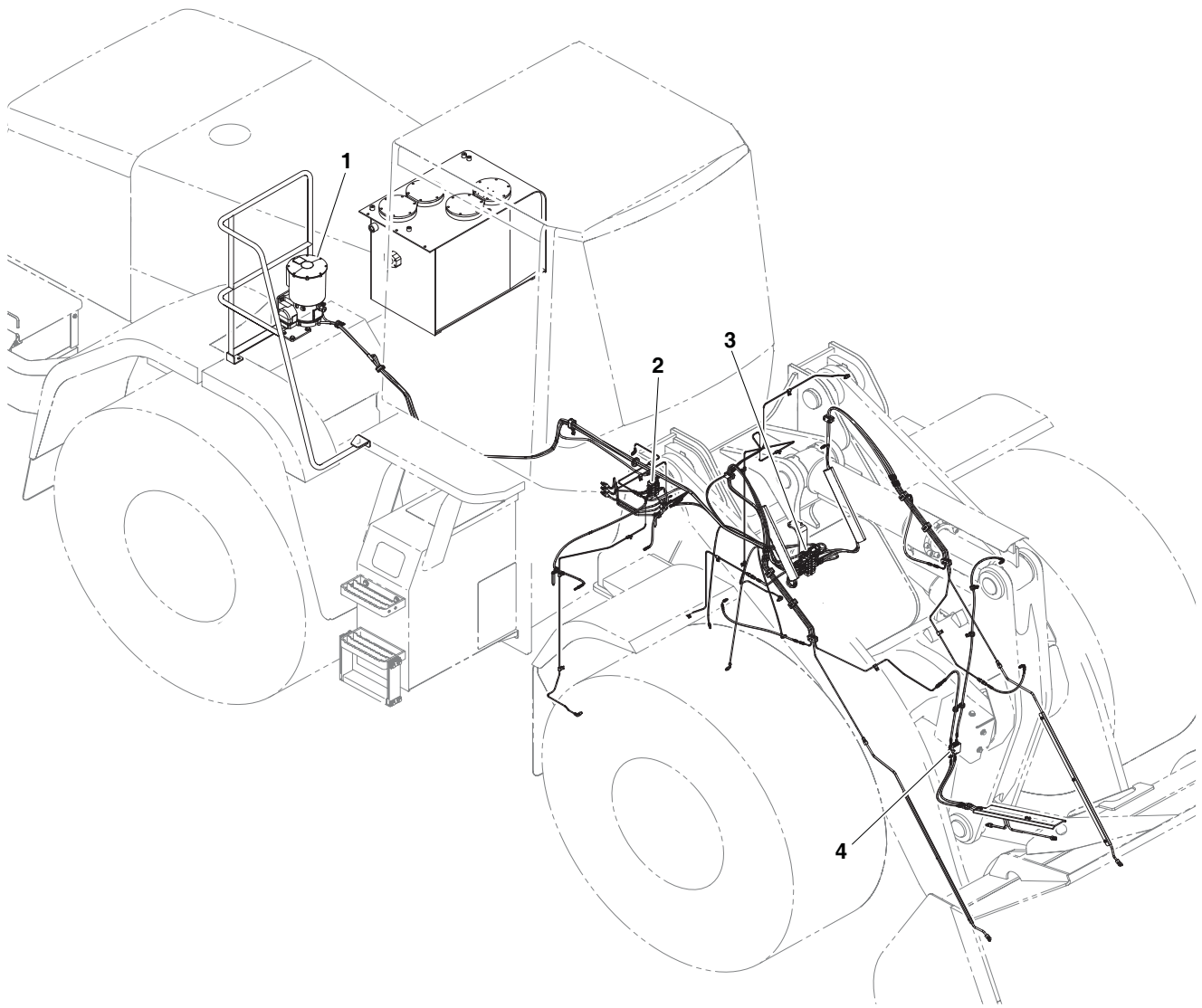
WL1400156

Figure 48

| Reference Number | Description |
|------------------|-----------------------------------------|
| A | Central Lubrication Pump |
| B | Supply |
| C | Fault Indicator in Cabin |
| D | Pump Element with Pressure Relief Valve |
| E | Lubrication Lines |
| F | Piston Detector (Cycle Switch) |
| G | Master Feeder |
| H | Secondary Feeder |
| 1 | Bucket Pin (Right) |
| 2 | Bucket Pin (Left) |
| 3 | Bucket Pin (Middle) |
| 4 | Tilt Lever (Bottom) |
| 5 | Lever Pin |
| 6 | Tilt Lever (Top) |
| 7 | Lift Cylinder (Right, Front) |
| 8 | Lift Cylinder (Left, Front) |
| 9 | Arm Foot End (Right) |

| Reference Number | Description |
|------------------|----------------------------------|
| 10 | Arm Foot End (Left) |
| 11 | Lift Cylinder (Right, Rear) |
| 12 | Lift Cylinder (Left, Rear) |
| 13 | Steering Cylinder (Front, Right) |
| 14 | Steering Cylinder (Front, Left) |
| 15 | Steering Cylinder (Rear, Right) |
| 16 | Steering Cylinder (Rear, Left) |
| 17 | Bucket Cylinder |
| 18 | Articulated Joint (Top) |
| 19 | Articulated Joint (Bottom) |
| 20 | Rear Axle Pivot |
| 21 | Rear Axle Pivot |
| 22 | Driveshaft Intermediate Bearing |
| 23 | Rear Axle Pivot |

Location



WL1400627

Figure 49

| Reference Number | Description |
|------------------|-------------------------------|
| 1 | AGS Pump |
| 2 | Secondary Feeder (Rear Frame) |

| Reference Number | Description |
|------------------|--------------------------------------------------|
| 3 | Master Feeder and Secondary Feeder (Front frame) |
| 4 | Secondary Feeder (Tilt Lever) |

Lubricants

Generally grease up to NLGI grade 2 is recommended for progressive systems. (Considering working conditions, the following lubricants can be used. NLGI Grade 1 to 2 greases with EP additives, compatible with plastics, NBR elastomers, copper and copper alloys, and NLGI Grade 000 to 0 fluid greases.)

The feedability of grease in centralized lubrication systems is influenced not only by its penetration but also by other parameters like the flow pressure, additives, type of thickener and viscosity of its base oil, to name only the main ones.

All the systems components like, for instance, pumps, tubing and distributors/feeders have to be accordingly dimensioned to assure good feedability of the grease.

The pressures required to deliver a grease depend on the penetration and aforementioned parameters affecting the feedability. Depending on the type of lubricant, extent of the system and dimensioning of the components, it is possible for delivery pressure of 200 bars or more to occur.

Lubricating greases essentially consist of three phases: the thickener, oil and additives.

The lubricant oil is embedded in the "thickener's skeleton" as in a sponge. The oil is more or less tightly bound, depending on the grease and percentage (type) of thickening agent.

There are cases in which the oil and soap skeleton are separated in progressive systems because of the influence of physical forces. In that case one also speaks of so-called bleeding. The thickeners skeleton hardens after separation from the oil. That can clog holes and constricted points, thereby leading to the centralized lubrication systems failure.

Bleeding can have many causes. For instance, the properties of the grease, the number and extent of pressure and temperature changes, vibrations, the effect of filtration on piston fits, etc. all have an impact. In case of doubt, the tendency of lubricants to separate (bleed) will have to be assessed before they are used.

The lubricant manufacturer must be consulted when choosing a grease that is optimally suited to the application.

If a centralized grease lubrication system is also to run trouble free at temperatures as low as -25°C, it will be necessary to take into account changes in lubricant parameters that impact its delivery.

Customary greases recommended by machine, vehicle and lubricant manufacturers can be used. But they must still have adequately good flow properties within the expected temperature range, e.g. a maximum flow pressure of 700 mbars, and their oil separation tendencies have to be noncritical in the expected operating conditions.

Lubricating grease containing up to 5% MoS₂ (molybdenum disulfide) as an additive can be delivered with piston pumps and progressive feeders.

NLGI grade 2 grease containing solids such as graphite and copper (e.g. chisel paste) can be delivered.

The particle size must be less than 3 µm and not exceed 5%. In this case the lubricant is distributed directly by the pump elements. Progressive feeders should not be used in this case.

Biodegradable grease can be delivered with progressive systems in the aforementioned conditions.

IMPORTANT

When filling up grease, keep the area clean.

Contaminants remain in suspension in lubricating grease. They can damage bearings and system components.

Also make sure that systems are only filled with grease that uses the same types of thickener.

Sodium soap greases must not be used in the automotive sector (water-soluble).

Please, see also the important product usage information on the back cover.

NOTE: *Penetration curve of a grease belonging to NLGI grade 2 as a function of temperature changes.*

Selection of Lubricants



CAUTION

AVOID INJURY

The amount of lubricant required at a lubrication point is specified by the bearing or machine manufacturer. It must be ensured that required quantity of lubricant is provided to the lubrication point. The lubrication point may otherwise not receive adequate lubrication, which can lead to damage and failure of the bearing.

Selection of a lubricant suitable for the lubrication task is made by the machine/system manufacturer and/or the operator of the machine/system in cooperation with the lubricant supplier.

The bearings/friction points that require lubrication, their expected load during operation, and the expected ambient conditions are taken into account during selection, with consideration of economic and environmental aspects.

NOTE: *Lubrication Systems supports customers in the selection of suitable components for feeding the selected lubricant and in the planning and design of a centralized lubrication system.*

Lubricants can be tested in the company's laboratory for their suitability for pumping in centralized lubrication systems (e.g., "bleeding").

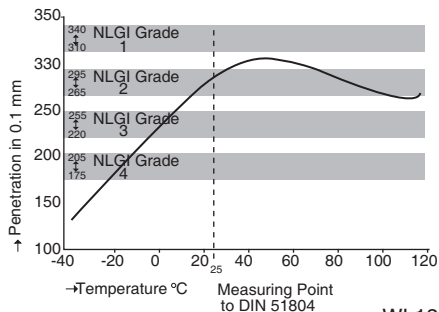


Figure 50

WL1300116



CAUTION

AVOID INJURY

Only lubricants approved for the product may be used. Unsuitable lubricants can lead to failure of the product and to property damage.



CAUTION

AVOID INJURY

Different lubricants cannot be mixed, as mixing can result in damage and necessitate costly and complicated cleaning of the product/lubrication system.

It is recommended that an indication of the lubricant in use be attached to the lubricant reservoir to prevent accidental mixing of lubricants.

The product described here can be operated using lubricants that meet the specifications in the technical data.

Note that in rare cases, there may be lubricants whose properties are within permissible limit values but whose other characteristics render them unsuitable for use in centralized lubrication systems. For example, synthetic lubricants may be incompatible with elastomers.

! **CAUTION**

AVOID INJURY

Centralized lubrication systems must always be free of leaks. Leaking lubricant is hazardous because of the risk of slipping and injury. Be mindful of any lubricant leaking out during assembly, operation, maintenance, and repair of centralized lubrication systems. Leaks must be sealed off without delay.

Lubricant leaking from centralized lubrication systems is a serious hazard. Leaking lubricant can create risks that can result in physical harm to persons or damage to other material assets.

NOTE: Follow the safety instructions on the lubricant's safety data sheet.

Lubricants are a hazardous substance. The safety instructions on the lubricant's safety data sheet must be followed. The safety data sheet for a lubricant can be requested from the lubricant manufacturer.

Lubricant Filling

IMPORTANT

The entire system must be ventilated if the reservoir has been emptied below the "min" mark.

! **CAUTION**

AVOID INJURY

Do not open top cover of reservoir for lubricant filling. Only use a conical head nipple.

Only fill using clean lubricant and an appropriate filling device. Contaminated lubricants can result in severe system malfunction.

2 L (under 300 class), 6 L (300 class or above) - Reservoirs

Lubricant filling is performed using a M10x1 conical head nipple (Figure 51, 1) and a conventional grease press.

The conical head nipple can be twisted onto the position (Figure 51, 2), for example to gain better access. As an alternative, the connection (Figure 51, 2) can be used to mount a lubricant return or filler coupling.

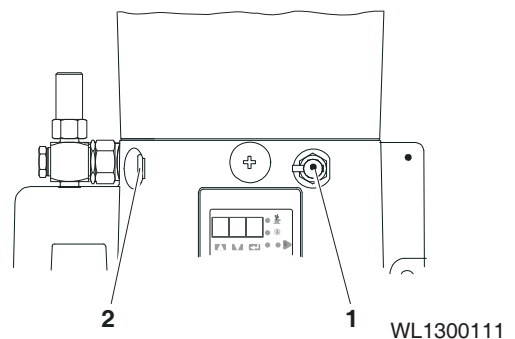


Figure 51

⚠ CAUTION

AVOID INJURY

Switch off the power supply before filling.

⚠ CAUTION

AVOID INJURY

Risk of bursting if the reservoir is overfilled.

When filling the reservoir using pumps with a large delivery volume do not exceed the maximum filling mark.



Figure 52

Filler Coupling

As an alternative or addition to a conical head nipple (Figure 53, 1), the unit can also be equipped with a filler socket (Figure 53, 2) to fill using a filling pump. A corresponding coupling socket (Figure 53, 3) must be mounted on the filling pump. The cap on the filler socket must be removed before filling.

⚠ CAUTION

AVOID INJURY

Clean filler coupling regularly and check it for cracks. If any cracks exist, replace the filler coupling.

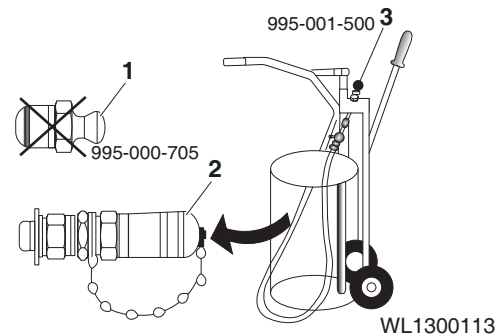


Figure 53

Filling Cylinder (Optional)

The pump unit can also be filled through one of the lubricant outlets using a filling cylinder (Figure 54, 1). To do this, remove M20x1.5 screw plug (Figure 54, 2) in the lubricant outlet and replace it with a filler socket (part No. 600102-00012) (Figure 54, 3). The caps (Figure 54, 4) on the socket and filling cylinder must be removed before filling.

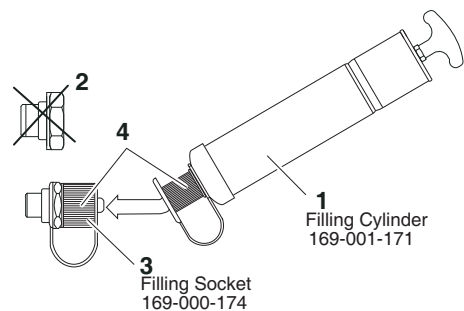
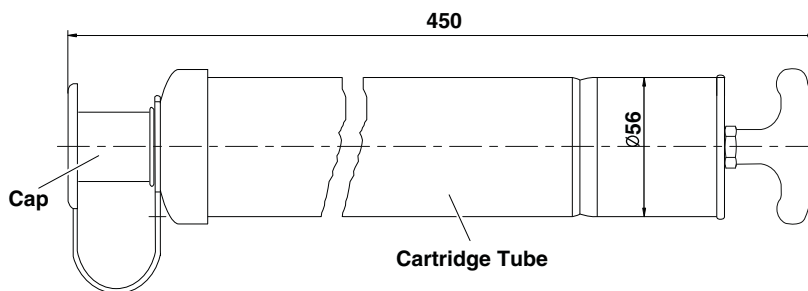


Figure 54

Filling Cylinder Complete

Suitable for cartridges according to an effective content of 450 cm³ and 550 cm³.



Part No. 400323-00327

WL1300114

Figure 55



Figure 56

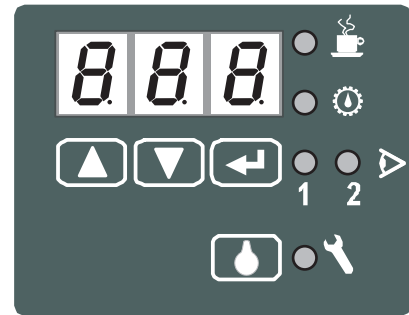
Cleaning

When pressurized air and/or pressurized water is used for cleaning, be careful water is not to get into auto grease system.

Water can cause malfunctions or damage of system.

Pump Display and Control Elements of Control Screen

The display and control unit is protected from water splashes and mechanical damage by a transparent plastic cover. The cover must be removed to program the unit and then remounted afterwards.



WL1300156

Figure 57 Control Screen

Display and Control Elements

| Representation | Description | Function |
|----------------|-------------------------|----------------------------------------------------------------------------------------------------------------------------------------------------------------------------------------|
| | Three-digit LED display | Values and operating status |
| | Pause LED | Interval time |
| | Contact LED | Display contact time (pump operation) |
| | 1 = CS LED | Monitors system function by an external piston detector
CS = Cycle Switch, piston detector
2 = PS LED Monitors function with an external pressure switch
PS = Pressure Switch |
| | Fault LED | Fault notification |
| | UP or DOWN key | <ul style="list-style-type: none"> Switch on display Display values and parameters Set values and parameters |
| | SET key | <ul style="list-style-type: none"> Switch between programming mode and display mode Confirm values |
| | DK key | <ul style="list-style-type: none"> Trigger interim lubrication Delete fault notification |









Three-digit LED Display



The display is off in normal mode. It can be activated by briefly pressing one of the two push buttons (▲)(▼). Current values and preset parameters are displayed. The display also serves to guide and prompt the operator while programming operating parameters.





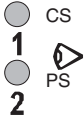


WL1300072

Figure 58 Device display-Three-digit LED display






| Display | Meaning | Statement | Control function |
|-------------------------------------------------------------------------------------|----------------------------------------------------------|----------------------------------------------------------------------------------------|----------------------------------------------------------------------------------------------|
|  | t = TIMER
PA = PAUSE | The control unit is functioning as a timer and is currently in PAUSE mode. | Part of lubrication cycle; entry and display value in hours. |
|  | t = TIMER
CO = CONTACT | The control unit is functioning as a timer and is currently in a pump cycle (CONTACT). | CONTACT = time during which the pump delivers lubricant; entry and display value in minutes. |
|  | c = Cycle
O = OFF
P = Pressure | Display the "Monitoring settings" menu. | |
|  | Monitoring OFF | The CS and PS monitoring functions are switched off. | No system monitoring |
|  | Cycle Switch
Piston detector
(progressive systems) | Piston detector monitoring is active. | The piston detector is monitored for signals during the CONTACT pump cycle. |
|  | Low Level
Fault: fill level too low. | The minimum fill level has been reached in the reservoir. | |
|  | Fault Cycle Switch
Fault: Piston detector | No signal from piston detector during pump cycle. | The control unit is currently in FAULT mode.
The operational sequence has been stopped. |
|  | Operation Hour Meter | The values shown after this are the number of hours, the control unit has operated. | The control unit is currently in FAULT mode.
The operational sequence has been stopped. |

| Display | Meaning | Statement | Control function |
|-----------------------------------------------------------------------------------|------------------|------------------------------------------------------------------------------------------------------------------------------------------------------------------------------------------------|------------------|
|  | Fault Hour Meter | The values shown after this are the number of fault hours, i.e., the amount of time the vehicle or machine was operated in FAULT mode. | |
|  | Block Mode | No signal from the piston detector. Unlike in normal mode, the control unit is still the monitoring sequence. A fault notification is issued if the fault remains for three pump cycles times. | |

LED Display

| LED | LED Lights up = Display Mode | LED Flashes = Programming Mode |
|-------------------------------------------------------------------------------------|-------------------------------------------------------------------------------------------------------------------------------------------------------------------------------------------------------------------------------------------------------------------------------------------------------------------------------------------------------------------------------------------------------------------------------------------------------|--------------------------------------------------------------------------------------------------------------------------------------------------------------------------------------------------------------------------------------------------------------------------------------------------------|
|  | Operating voltage is present on pump unit and control unit, system is currently in operating status PAUSE. | Value for PAUSE can be changed. |
|  | Operating voltage is present on pump unit and control unit, system is currently in operating status CONTACT (pump motor ON). | Value for CONTACT can be changed. |
|  | <p>A cycle switch (CS) is used for system monitoring. On progressive feeders, monitoring is performed during the pump cycle (CONTACT).
The LED light turns "ON" when a signal is received.</p> <p>A pressure switch (PS) is used for system monitoring. On single-line systems, monitoring is performed during the pump cycle. (Not applied to DOOSAN auto grease system.)
The LED light turns "ON" when a changeover signal is received.</p> | <p>Monitoring type can be switched off in programming mode.
COP = CS monitoring is active
COP = OFF monitoring is switched off</p> <p>Monitoring by pressure switch cannot be activated on progressive systems.
COP = CS monitoring is active
COP = OFF monitoring is switched off</p> |
|  | The operating voltage is present on the pump unit and control unit. The control unit is in operating status FAULT. The cause can be accessed by the LED display and shown as a fault code by pressing the  push button. The operational sequence has been stopped. | |

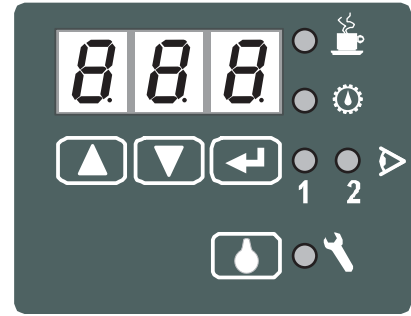
Push Button Operation

| | Key | Function |
|------------------------------------------------------------------------------------------------------|-------------------------------------------------------------------------------------|----------------------------------------------------------------------------------------------------------------------|
|  <p>WL1300117</p> |  | Pressing during PAUSE triggers an interim lubrication. Fault notifications are acknowledged and deleted. |
| |  | Switch on the display in display mode
Call up next parameter in programming mode
Increase displayed value by 1 |
| |  | Switch on the display in display mode
Call up last parameter in programming mode
Reduce displayed value by 1 |
| |  | Switch between programming mode and display mode
Confirm values entered |

Pump Display Mode

Display mode can be identified by the lit-up LED displays. The display does not flash. It is used to query the current settings and operating parameters.

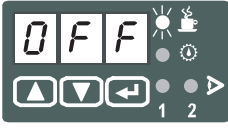
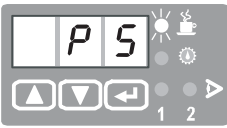





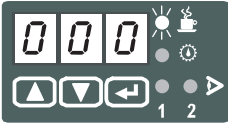

Always start the display mode by briefly pressing one of the two keys (▲)(▼).



WL1300156

Figure 59 Display

| Step | Key | Display |
|------|----------------------|-------------------------------------------------------------------------------------------------------------|
| 1 | ▲ ▼
Press briefly | The current operating status is shown
Example: Timer operation pause |
| 2 | ▲ | Display remaining interval time for current lubrication cycle. Example: 1 h |
| 3 | ▲ | Display preset total interval time. Example: 2.6 h (factory setting)
Display is in hours |
| 4 | ▲ | Display pump cycle
Example: Timer operation |
| 5 | ▲ | Example: System is currently in operating status
Pause, current tCO display (timer contact) not possible |
| 6 | ▲ | Display the preset value
Example: 4 min. (factory setting)
Display is in minutes |
| 7 | ▲ | Display system monitoring |

| Step | Key | Display | |
|--------|-----|------------------------------------------------------------------------------------------------------------------------------------------------------------------------------|----------------------------------------------------------------------------------------------------------------------------------------------------------------------------------------------------------------------------------------------------------------------------------------------------------------------------------------------------------------------------------------------------------------------------------------------------------------------------------------------------------------------------|
| 8 | ▲ |  <p data-bbox="588 289 831 380">Monitoring switched off
(factory setting)</p> | <p data-bbox="874 275 906 300">or</p> <div style="display: flex; justify-content: space-around;"> <div data-bbox="927 163 1155 289">  <p data-bbox="948 306 1134 369">Monitoring by
piston detector</p> </div> <div data-bbox="1182 163 1410 289">  <p data-bbox="1177 306 1428 369">Not permitted for
progressive systems.</p> </div> </div> |
| 9 | ▲ |  | Display operating hours |
| 10, 11 | ▲ |  <p data-bbox="588 705 831 798">Example: 1st part of
total value Write
down.</p> | <p data-bbox="895 596 948 659" style="text-align: center;">▲</p> <p data-bbox="911 716 932 741" style="text-align: center;">+</p> <div data-bbox="1011 564 1240 690">  </div> <p data-bbox="1002 705 1326 798">2nd part of total value
Total value: 00533.8 h
Maximum value: 99999.9 h</p> |
| 12 | ▲ |  | Display fault hours |
| 13, 14 | ▲ |  <p data-bbox="588 1142 831 1234">Example: 1st part of
total value Write
down.</p> | <p data-bbox="895 1018 948 1081" style="text-align: center;">▲</p> <p data-bbox="911 1146 932 1171" style="text-align: center;">+</p> <div data-bbox="1011 987 1240 1113">  </div> <p data-bbox="1002 1142 1326 1234">2nd part of total value
Total value: 00033.8 h
Maximum value: 99999.9 h</p> |
| | ▲ | Display clears Oh and Fh values are stored in EEPROM and cannot be deleted. | |

Pump Programming








The working/interval times can be reprogrammed to adapt the lubrication intervals and the resulting lubricant quantities to specific requirements.



Start Programming Mode

NOTE: Programming mode can be identified by the flashing LED displays.

Change Lubrication Interval Times

NOTE: If the 000 factory setting has been changed, the current code must be selected using the ▲ ▼ keys and confirmed using the ↵ key.


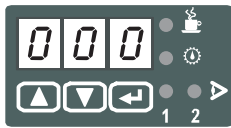





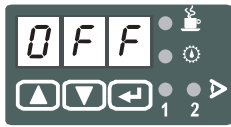





| Step | Key | Display |
|------|-------------------------------------------|------------------------------------------------------------------------------------------------------------------------------------------------------------------------------------------------|
| 1 | ↵
Press for more than 2s |  Display flashes
(000 = factory setting) |
| 2 | ↵
Press briefly
(confirm code) |  Automatic display of first parameter:
"pause in timer operation"
"PAUSE" LED flashes |
| 3 | ↵
Press briefly |  Interval time 1 h (factory setting)
(display in hours) |
| 4 | ▲ ▼ |  Set new value
Example: 6.8 h = 6 h 48 min. |
| 5 | ↵
Press briefly
(confirm new value) |  Display next parameter
"pump cycle time in timer operation"
"CONTACT" LED flashes |
| 6 | ↵
Press briefly |  Pump cycle time 4.0 min. (factory setting)
Note the operating mode/set duration
(display in minutes) |
| 7 | ▲ ▼ |  Set new value
Example: 3 min. |

| Step | Key | Display |
|------|---------------------------------------------------------------------------------------------------------------------------|---------------------------------------------------------------------------------|
| 8 | 
Press briefly
(confirm new value) | |
| 9 | 
Press for more than 2s | Changes are written to memory, the values are activated and the display clears. |

Configure System Monitoring

System monitoring can be changed to activate or deactivate the monitoring functions for lubrication.


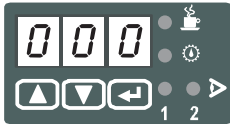










When system monitoring is active, you can select monitoring by piston detector on progressive systems or monitoring by pressure switch on single-line systems.

| Step | Key | Display |
|------|----------------------------------------------------------------------------------------------------------------------|-------------------------------------------------------------------------------------------------------------------------------------------------------------------------------|
| 1 | 
Press for more than 2s |  Display flashes
(000 = factory setting) |
| 2 | 
Press briefly
(confirm code) |  Automatic display of first parameter:
"pause in timer operation"
"PAUSE" LED flashes |
| 3 | 
Press until: |  Beginning of monitoring settings is displayed |
| 4 | 
Press briefly |  System monitoring switched off
(factory setting) |
| 5 | 
Press either until |  Monitoring by piston detector "CS" LED flashes |
| | |  Not permitted for progressive systems! |
| 6 | 
Press briefly | Confirm new setting |
| 7 | 
Press for more than 2s | New settings are written to memory, the valves are activated and the display clears |

Change Operating Modes

A change of operation mode means changing to timer operation, counter operation or special applications.

Please refer to Pump Display Mode for further information.













| Step | Key | Display |
|------|------------------------------------------------------------------------------------------------------------------------------------|---------------------------------------------------------------------------------------------------------------------------------------------------------------------------------------------------------------------|
| 1 | 
Press for more than 2s |  Display flashes
(000 = factory setting) |
| 2 | 
Press briefly
(confirm code) |  Automatic display of first parameter:
"pause in timer operation"
"PAUSE" LED flashes |
| 3 |  |  Change from interval time to counter operation
(only possible with external electrical
pulse generator)
Values in pulses |
| 4 | 
Press briefly to confirm
counter operation |  Display pump cycle time in timer operation |
| 5 |  |  Change from pump cycle time to counter
operation, special application |
| 6 | 
Press briefly | Confirm new setting |
| 7 | 
Press for more than 2s | New settings are written to memory and the display clears |

IMPORTANT

This factory default code is now deleted and the new value is valid. Write down the new value and store it in a safe place. The parameters cannot be programmed if the code is lost or forgotten. In this case, the pump unit must be sent to the dealer or authorized SKF branch office.

IMPORTANT

Do not enter the digits 321 as the new code.

| Step | Key | Display |
|------|------------------------------------------------------------------------------------------------------------------------|-------------------------------------------------------------------------------------------------------------------------------------------------------|
| 1 | 
Press for more than 2s |  Display flashes
(000 = factory setting) |
| 2 | 
Press briefly
(confirm code) |  Key number is selected
(321 = factory default setting) |
| 3 | 
Press briefly
(confirm key) |  Display flashes
(000 = factory setting) |
| 4 | 
Press briefly
(confirm code) |  Display flashes |
| 5 | 
Press either until |  new code is set
Example: 666
NOTE: Do not enter 321. |
| 6 | 
Press briefly | Confirm new code |
| 7 | 
Press for more than 2s | New code is written to memory and the display clears |

Programming Ranges

| Function | Programming Ranges* |
|-----------------|-----------------------|
| Interval Time | 0.1 h to 99.9 h |
| Pump Cycle Time | 0.1 min. to 99.9 min. |
| Pulses | 1 to 999 |

Display Ranges

| Function | Display Ranges |
|-----------------|--------------------|
| Fault Hours | 0.1 h to 99999.9 h |
| Operating Hours | 0.1 h to 99999.9 h |

Maintenance



WARNING

AVOID DEATH OR SERIOUS INJURY

Work on products that have not been de-energized can result in bodily injury. Assembly, maintenance and repair work may only be performed on products that have been de-energized by qualified technical personnel. The supply voltage must be switched off before opening any of the product's components.



WARNING

AVOID DEATH OR SERIOUS INJURY

Centralized lubrication systems are pressurized during operation. Centralized lubrication systems must therefore be depressurized before starting assembly, maintenance or repair work, or any system modifications or system repairs.



WARNING

AVOID DEATH OR SERIOUS INJURY

The described product is pressurized during operation. The product must therefore be depressurized before starting assembly, maintenance or repair work.

The Lubrication Systems is low-maintenance. However, all connections and fittings must be regularly inspected for proper seating to ensure proper function and to prevent hazards from arising.

If necessary, the product can be cleaned using mild cleaning agents that are compatible with the product's materials (non-alkaline, non-soap). For safety reasons, the product must be disconnected from the power supply and the hydraulic and/or compressed air supply.

It must be ensured that no cleaning agent enters the interior of the product during cleaning.

It is not necessary to clean the interior of the product if the product is operated normally and intercompatible lubricants are used.

The interior of the product must be cleaned if incorrect or contaminated lubricant is accidentally filled into the product. If this occurs, contact the Service department of DOOSAN.

IMPORTANT

Dismantling of the product or individual parts thereof within the statutory warranty period is not permitted and voids any claims.

IMPORTANT

Only original spare parts from DOOSAN may be used. Arbitrary alterations to products and the use of non-original spare parts and accessories are not permitted and nullify the statutory warranty.


General Information

The following maintenance table contains an overview of the inspections and maintenance work that must be performed regularly.

The maintenance intervals depend on customer-specific settings and operating conditions. The customer is therefore responsible for determining and observing the maintenance intervals on its own.

IMPORTANT

All work beyond this scope must be performed by authorized SKF Service establishments.

| Maintenance Work | Action | Interval |
|---------------------------------------------------------------------------------------------|----------------------------------------------------------------------------------------------------------------------------------------------------------------------------------------------------------------------------------------------------------|------------------------------------------------------------------------------------------------------------------------|
| Check of fill level in lubricant reservoir | Refill if necessary. | Depends on planned lubricant consumption |
| Inspection of system components (lubricant lines, connection points, seals, etc.) for leaks | Parts that exhibit leaks must be replaced. Please contact an SKF service office. | After each refill of the lubricant reservoir or after long operational pauses before commissioning the machine/vehicle |
| Visual inspection of bearings' lubrication | In case of insufficient bearing lubrication, a fault in the lubrication system or incorrect system configuration is the probable cause. Observe the instructions contained in these operating instructions. If necessary, contact an SKF service office. | In conjunction with lubrication reservoir filling |
| Check of basic function of control unit and system components | To inspect the basic functions, trigger an interim lubrication by pressing the  key | After each lubrication reservoir filling |
| Inspection of electrical cables for damage | Damaged cables must be replaced. Please contact an SKF service office. | After long operational pauses before commissioning the machine/vehicle |
| Inspection of electrical connections and contacts for firm attachment and corrosion | Tighten loose contacts. Clean any corroded electrical contacts with a wire brush, then apply a small amount of contact grease after installation | Semi-annual |


Troubleshooting

KFGS Operational Malfunctions

The operator/operating personnel must perform visual fill level control of the lubricant reservoir at regular intervals. The control intervals depend on the amount of lubricant required and the pump's run time. The operator/operating personnel must therefore determine the intervals on their own based on the specific conditions of usage.

If the reservoir has been emptied, the entire system must be ventilated after refilling (see assembly instructions).




KFGS

All fault notifications are displayed by the LEDs  as a centralized fault notification. When a fault notification is issued, the control unit stops the normal operational sequence and the fault that has occurred is saved and displayed.


The cause of the fault can be read on the display. This greatly simplifies failure diagnostics, though it requires system monitoring.

Display Faults

- Start the display mode with one of the two keys ▲ ▼
- Press the ▲ key until you reach the fault notification (see the following table)

| Display | Explanation |
|-------------------------------------------------------------------------------------|--------------------------------------------------------------------------------------------------------------------------------------------|
|  | Fault Cycle Switch: No signal from piston detector during pump cycle
(See "Pump Display Mode" on page 4-49.) |
|  | Fault Pressure Switch: No signal from pressure switch during pump cycle.
(Not applied to DOOSAN auto grease system) |
|  | Fault Low Level: The level in the reservoir has fallen below the minimum fill level.
The further operational sequence has been stopped. |

Delete fault notification

All fault notifications can be acknowledged and deleted using the  key.

In timer operation, this can also be performed using an external push button, if installed.

IMPORTANT



Determine and remedy the cause of faults before deleting fault notifications. The user is liable for damages resulting from operating the machine without lubrication.

IMPORTANT



The time during which the control unit and pump unit have been operated without lubrication is stored as fault hours Fh in the EEPROM and cannot be deleted.

Fault Types

Depending on the severity of the fault, the control unit issues either a warning or a malfunction notification (see the following table).

| Fault Type | Definition | Display | Example of Fault | Response by Control Unit |
|--------------|-----------------------------------------------------------------------------------------------------------------------------------------------------------------------------------------------------------------------------------------------------------------------------------------------------------------------------------|-------------------------------------------------------------------------------------------------------------------------------|-------------------------------------------------------------------------------------------------------------------------------------------------|----------------------------------------------------------------------------------------------------------------------------------------------------------------------------------------------------------------------------------------------------------------------------------------------------------------------------------------------------------------|
| Warning | A problem has occurred that does not affect the operational sequence but can lead to an operational malfunction if not remedied. |  LED light turns "ON" and remains constant | The fill level in the reservoir sinks to the level of the pre-warning sensor (only on systems equipped and configured with this functionality). | <ul style="list-style-type: none">• The  LED flashes.• A fault notification is generated.• Operation continues as normal. |
| Malfunctions | A fault has occurred that affects the proper functioning of the lubrication system.

<i>Note: The lubrication points may not be supplied with adequate lubrication because a malfunction has affected the proper functioning of the lubrication system.</i>

<i>Malfunctions must always be remedied immediately.</i> |  LED flashes | Insufficient number of piston detector signals from a lubrication zone during the pump cycle | <ol style="list-style-type: none">1. Block operation up to configured number of repetitions.2. If the piston detector signal has still not been received, the valve is closed and a fault notification is generated.
The  LED light turns "ON". |

Recording Fault Times

Fault-state Counter

The amount of time that passes from issuance of a failure notification to its acknowledgment is added up in hours. After acknowledgment, this value is automatically transferred to the fault-hours counter.

Fault-hours Counter

The fault-hours counter adds up all fault-state times occurring during the total running time of the unit. The current counter reading can be read in display mode in two blocks of three digits each by calling up the parameter Fh. See "Three-digit LED Display" on page 4-46.

The maximum reading that can be displayed is 99 999.9 hours. The smallest recordable interval is 0.1 hours = 6 minutes. The memory cannot be deleted.

Maintenance and Repair

The following maintenance and repair work must be performed regularly:

- Inspect fill level in lubricant reservoir.
- Regularly inspect system components for leaks.
- Visually inspect lubrication of bearings.
- Inspect electrical cables for damage.
- Inspect electrical connections and contacts.
- The basic function of the control unit and system components can be inspected by triggering an interim lubrication.
- Inspect electrical connections in case of malfunction notifications.
- Replace defective fuses with new fuses of the same performance and characteristics.

The purity of the lubricants used is the decisive factor in the service life of the pump elements.

Malfunctions on Pump Unit in Progressive System

Block Operation

Block operation is the reaction of the control unit to the absence of signals from the piston detector.

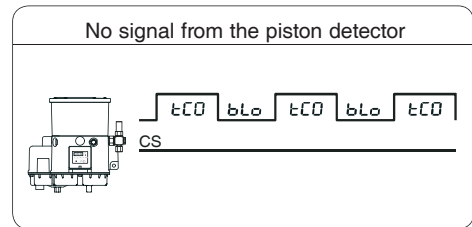
Possible Causes:

- Defective lubrication lines
- Blocked progressive feeder
- Defective piston detector
- Insufficient lubricant

No Signal from Piston Detector During Pump Cycle:

- Normal operation is interrupted.
- Block pause begins with query to piston detector.
- No signal from piston detector during block pause:
- Second lubrication cycle begins in block operation.

As soon as a signal is received from the piston detector, block operation is aborted and the normal lubrication cycle starts with a pause.



WL1300071

Figure 60

IMPORTANT

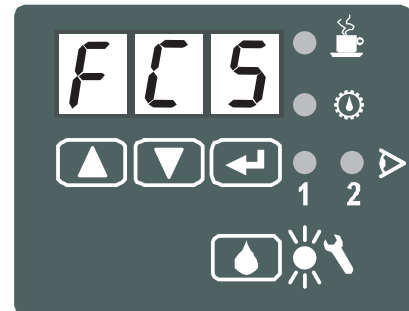
A total of three lubrication cycles are performed with query to the piston detector.

Three pump cycles and two block pauses without signal from the piston detector:

Block operation is aborted Malfunction notification is issued.

| Duration of Block Pause | |
|-------------------------|------------------------------|
| Pause tPA Block Pause | Normal Operation Block Pause |
| 0.1 h | 6 min. |
| 0.2 h | 12 min. |
| 0.3 h and longer | 15 min. |

- Determine and remedy cause of fault



WL1300072

Figure 61 Fault notification on device display

Malfunctions on KFG/KFGS Pump Units

| Fault | Category | Possible Cause | Rectification |
|-------------------------------------------------------------------------------------------------------------------------------------------------------------------------------|--------------|-------------------------------------------------------------------------------------------------------------------------------------------------------------------------------------------------------------------------------------------------------------------------------------------------------------------|--------------------------------------------------------------------------------------------------------------------------------------------------------------------------------------------------------------------------------------------------------------------------------------------------------------------------------------------------------------------------------------------------------------------------------------------------------------------------------------------------------------------------------------------------------------------------------------------------------------------------------------------|
| Pump Agitator in grease reservoir does not rotate during the activated pump cycle (CONTACT mode). | Malfunctions | <ul style="list-style-type: none"> • Mechanical damage, e.g., motor defective • Under voltage • Electrical connection interrupted | <ul style="list-style-type: none"> • Replace pump <ul style="list-style-type: none"> – Loosen main line at outlet of pressure regulating valve. – Loosen electrical connection. – Loosen three fastening screws. – Remove defective pump. – Mount new pump and connect lubrication line and electrical cable. • Perform commissioning and functional inspection. • Be sure the interval and contact times are correct. • Check or replace fuse. • Check electrical connections • Check cable set for damage. |
| Pump does not function when the  key is pressed, although all electrical connections are ok. | Malfunctions | <ul style="list-style-type: none"> • Electrical control has failed. • Pump drive/motor is defective. • Lubricant level in reservoir is below minimum. • Agitator does not rotate. | <ul style="list-style-type: none"> • Check fuse • Replace pump • Fill lubricant reservoir to "max". • Replace pump element.
<i>Note: Metering is indicated by grooves.</i> |
| Pump does not deliver any lubricant, although agitator is rotating. | Malfunctions | <ul style="list-style-type: none"> • Suction problems because of air pockets in grease. • Pump element does not build up pressure, pump element is worn out (This is indicated when the outlet can be closed with a finger once the main line is removed.) • Lubricant too stiff | <ul style="list-style-type: none"> • Dismantle pump element and operate pump using  key until grease discharges from outlet on housing. • Replace pump element.
<i>Note: Metering is indicated by grooves.</i> • If necessary, adjust lubricant to work properly at lowest working temperature. |

| Fault | Category | Possible Cause | Rectification |
|-------------------------------------------------------------------|--------------|-------------------------------------------------------------------------------------------------------------------------------------------------------------------------------------------------------------------------------------|------------------------------------------------------------------------------------------------------------------------------------------------------------------------------------------------|
| Pressure regulating valve on pump opens and lubricant discharges. | Malfunctions | <ul style="list-style-type: none"> • System pressure is over 200/300 bar, e.g., because of feeder blockage or blocked lubrication point. • Valve is damaged or contaminated, so it does not close properly. | <ul style="list-style-type: none"> • Check system and repair/rework the system so the maximum system pressure at 20°C is 200 bar. • Replace pressure regulating valve. |

Inspection, Maintenance and Adjustment

MAINTENANCE INFORMATION

This section deals with information for proper maintenance of the machine. Therefore, ensure that all safety information, warnings, and instructions are read and understood before any operation or any maintenance procedures are performed.



WARNING

AVOID DEATH OR SERIOUS INJURY

Do not perform any inspection and maintenance operation that is not found in this manual.

Operational Hour Meter Reading

Check operational hour meter reading daily to see if necessary maintenance is scheduled to be performed.

DOOSAN Genuine Replacement Parts

Use DOOSAN genuine parts specified in Parts Book as replacement parts.

DOOSAN Genuine Lubricants

For lubrication of the machine, use DOOSAN genuine lubricants. Use oil of specified viscosity according to ambient temperature.

Windshield Washer Fluid

Use automobile window washer fluid, and be careful not to let any dirt get into it.

Fresh and Clean Lubricants

Use clean oil and grease. Keep containers of oil and grease clean and away from foreign materials.

Check Drained Oil and Used Filter

After oil is changed or filters are replaced, check oil and filters for metal particles and foreign materials. If large quantities of metal particles or foreign materials are found, take corrective action immediately.

Fuel Strainer

If your machine is equipped with a fuel strainer, do not remove it while fueling.

Welding Instructions

- Turn off power. Wait for approximately one (1) minute after turning off engine starter switch key, and then disconnect negative (-) terminal of battery.
- Do not apply more than 200 V continuously.
- Connect grounding cable within 1 m (3.3 ft) of area to be welded. If grounding cable is connected near instruments, connectors, etc., instruments can be damaged.
- Use proper grounding points to avoid damage to seals or bearings.
- Do not use area around work equipment pins or hydraulic cylinders as a grounding point.

Do Not Drop Things Inside Machine

- When opening inspection windows or oil filler port of tank to perform inspection, be careful not to drop nuts, bolts, or tools inside the machine.

If parts are dropped inside machine, it can cause damage and/or improper operation of the machine. If you drop anything inside the machine, always remove it immediately.

Dusty Work Site

When working at a dusty work site, do the following:

- Clean radiator fins and other parts of heat exchange equipment more frequently, and take care not to let fins become clogged.
- Replace fuel filter more frequently.
- Clean electrical components, especially starting motor and alternator, to avoid accumulation of dust.
- When checking and replacing oil or filters, move the machine to a place where there is no dust and take care to prevent dust from entering system.

Avoid Mixing Lubricants

If a different brand or grade of oil has to be added, drain all old oil before adding new brand or grade of oil.

Never mix different brands or grades of oil.

Locking Inspection Covers

Lock inspection cover securely into position with lock bar. If inspection or maintenance is performed with inspection cover not locked in position, it could fall resulting in death or serious injury.

Hydraulic System - Air Bleeding

When hydraulic equipment has been repaired or replaced, or hydraulic piping has been removed and installed again, air must be bled from circuit.

Hydraulic Hose Installation

- When removing parts at locations with O-rings or gasket seals, clean mounting surface and replace with new parts.
When doing this, be careful not to forget to assemble O-rings and gaskets.
- When installing hoses, do not twist them or bend them sharply. This will extend service life and prevent damaging hoses.

Checks After Inspection and Maintenance Works

Perform checks after inspection and maintenance to prevent operation problems. Always do the following:

- Checks after operation (with engine stopped).
 - Have any inspection and maintenance points been forgotten?
 - Have all inspection and maintenance items been performed correctly?
 - Have any tools or parts been dropped inside the machine? If parts are dropped inside the machine and get caught in lever linkage mechanism, and this could cause improper operation of the machine.
 - Are there any coolant or oil leaks? Have all nuts and bolts been tightened?
- Checks when operating engine.
 - For details of checks when operating engine, see “Safety Precautions” on page 4-4 and pay careful attention to safety.
 - Are inspection and maintenance items working properly?
 - Is there any leakage of fuel or oil when engine speed is raised?

Safety Precautions

1. Make sure to lock out hydraulic controls and place a "DO NOT OPERATE" Warning Tag on the machine to indicate that the machine is being serviced and to prevent any unauthorized operation.
2. Clean up all fluid spills, especially around engine.
3. Inspect all fuel lines to make sure that fittings, lines, filters, O-rings, etc. are tight and are not showing signs of leakage, wear or damage.
4. If inspection or test procedure requires that engine be running, make sure to keep all unauthorized personnel away from the machine.

Arrival Inspections and Delivery Instructions

Before the machine leaves the factory, it is Inspected, tested and adjusted as necessary. The dealer must also, if the warranty is to apply, complete a Delivery Report form which must be signed by both the dealer and the owner/operator when the machine is delivered by the dealer.

MACHINE SETUP POSITION FOR MAINTENANCE

WARNING

AVOID DEATH OR SERIOUS INJURY

If work has to be done on the machine before it has cooled down, be careful with hot liquids and hot parts of the machine to avoid burns.

Before beginning any service work, park the machine using the following procedure (except for service work requiring the machine to be positioned differently).

1. Park machine on firm and level ground.
2. Move transmission lever to "NEUTRAL" position.
3. Make sure transmission neutral lock is in the "N" (NEUTRAL LOCK) position.
4. Set parking brake switch to "I" (APPLIED) position. This will ensure that parking brake is "APPLIED".
5. Lower bucket or work tool to the ground.
6. Put pilot cutoff switch to "O" (LOCK) position. This will "LOCK" pilot control valve lever (joystick).
7. Allow engine to idle for 3 - 5 minutes to cool down.

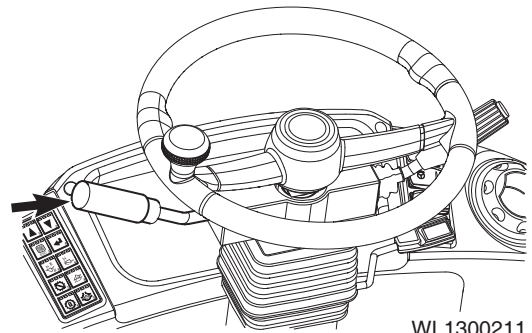


Figure 1

WL1300211

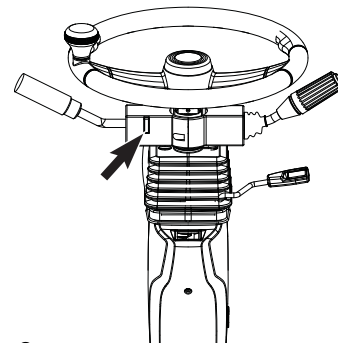


Figure 2

WL1400129

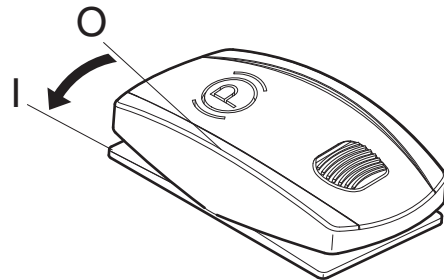


Figure 3

WL1300285

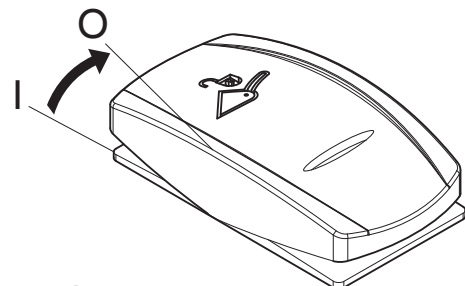
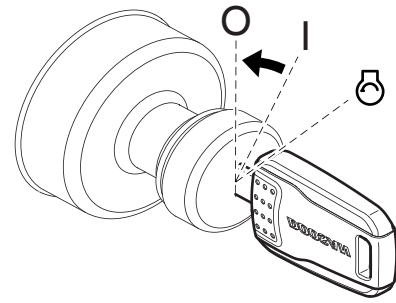


Figure 4

FG019178

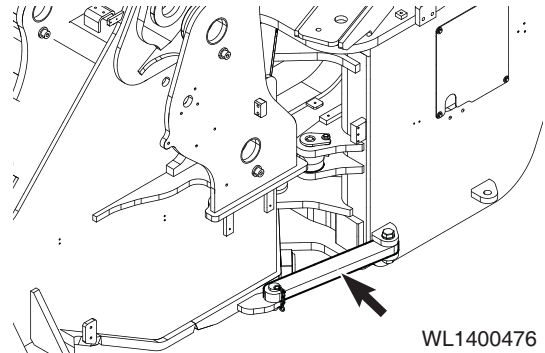
- Rotate starter key to "O" (OFF) position to stop engine. Remove key.



FG018156

Figure 5

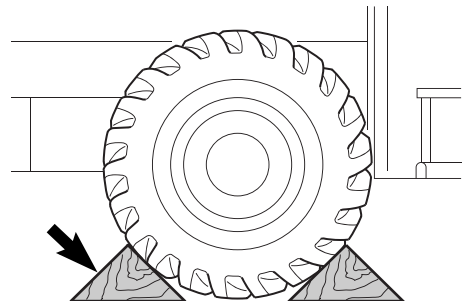
- Insert the frame articulation lock bar.



WL1400476

Figure 6


- Block the wheels with wheel chock.



2876A

Figure 7

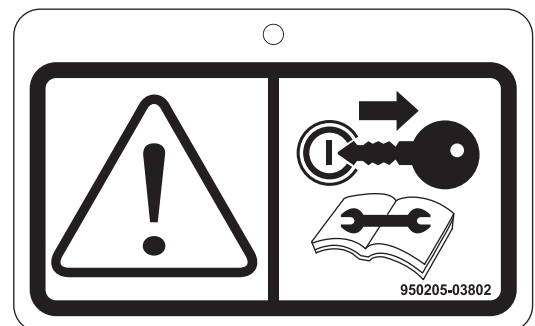
- Before starting maintenance work, place a "DO NOT OPERATE" Warning Tag on cabin door or work lever.



WARNING

AVOID DEATH OR SERIOUS INJURY

If engine must be running while performing maintenance, always have one person in cabin. Never leave cabin with engine running.



EX1301177

Figure 8

MAINTENANCE HANDLING ACCESS

Entering/Leaving/Climbing On Machine



AVOID DEATH OR SERIOUS INJURY

Do not jump ON/OFF a machine. Never get ON/OFF when the machine is running.

Never grasp control lever to get ON/OFF.

Use handholds and steps when entering, leaving or climbing the machine.

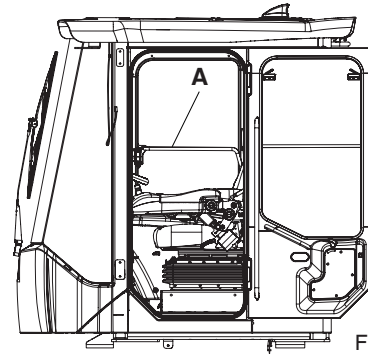
Use three-point grip, i.e. two hands and one foot or two feet and one hand.

Always face machine.

Always wipe mud and oil off all footboards, handrails and your footwear, especially when cleaning windows, rearview mirrors and lights.

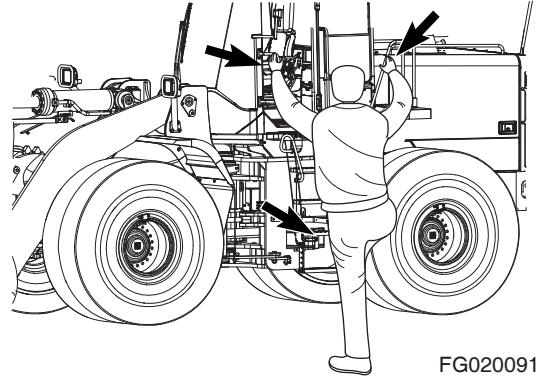
Clean your boots and wipe your hands before getting on the machine. Always wear proper footgear.

Do not use hand grip (A, Figure 9) of cabin door as a support when entering, leaving or climbing the machine. It is not strong enough to be used as a support. It should only be used for closing the door.



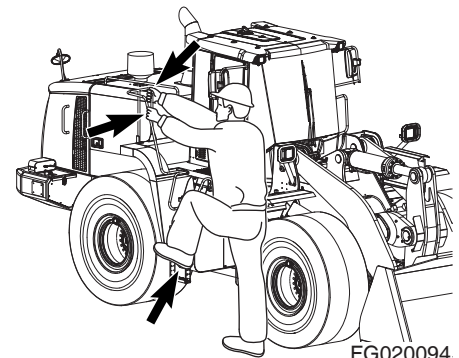
FG020086

Figure 9



FG020091

Figure 10



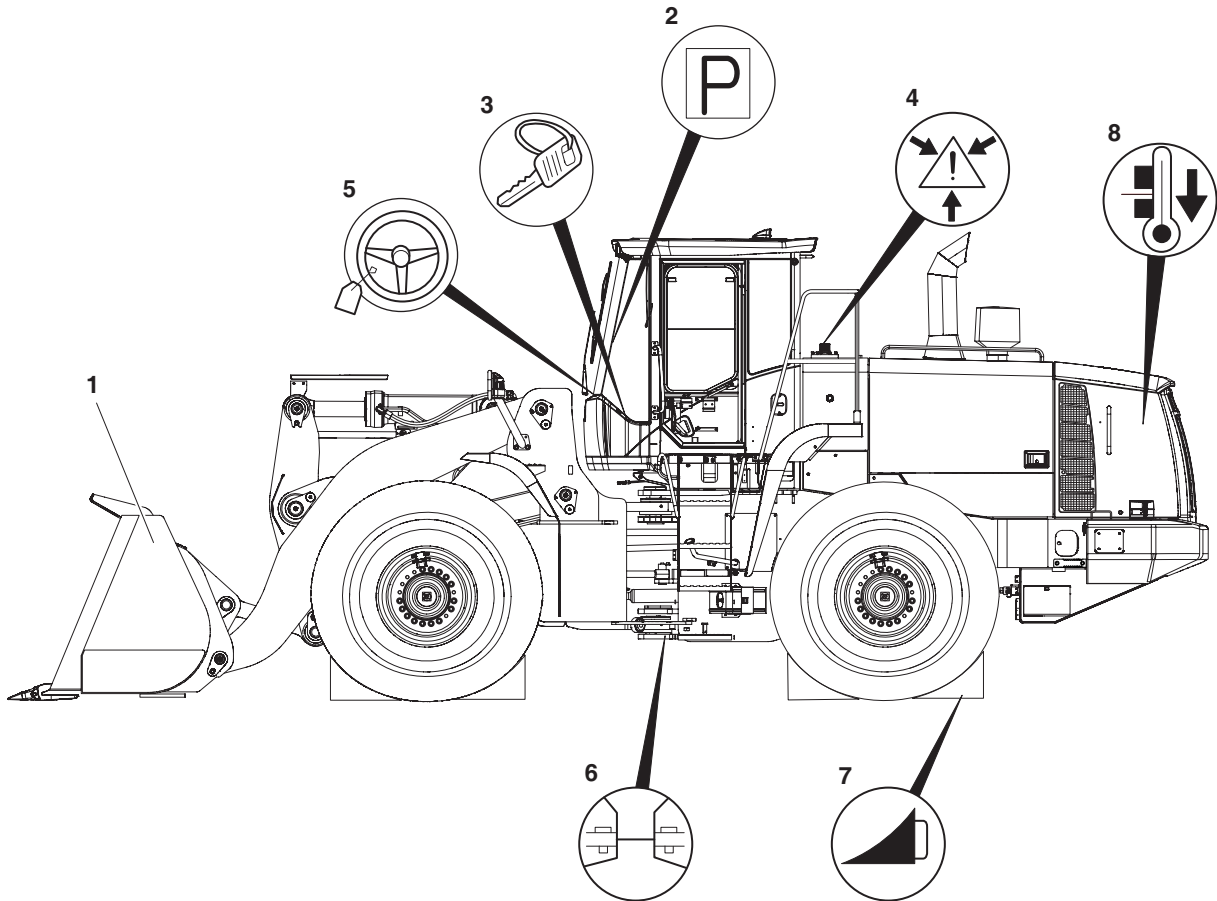
FG020094

Figure 11

Service Position

BEFORE beginning service work, machine must be parked on firm and level ground and positioned as shown below.

AFTER completing service work, all guards must be installed and all engine covers must be closed and locked. Articulated frame lock bar must be "UNLOCKED".

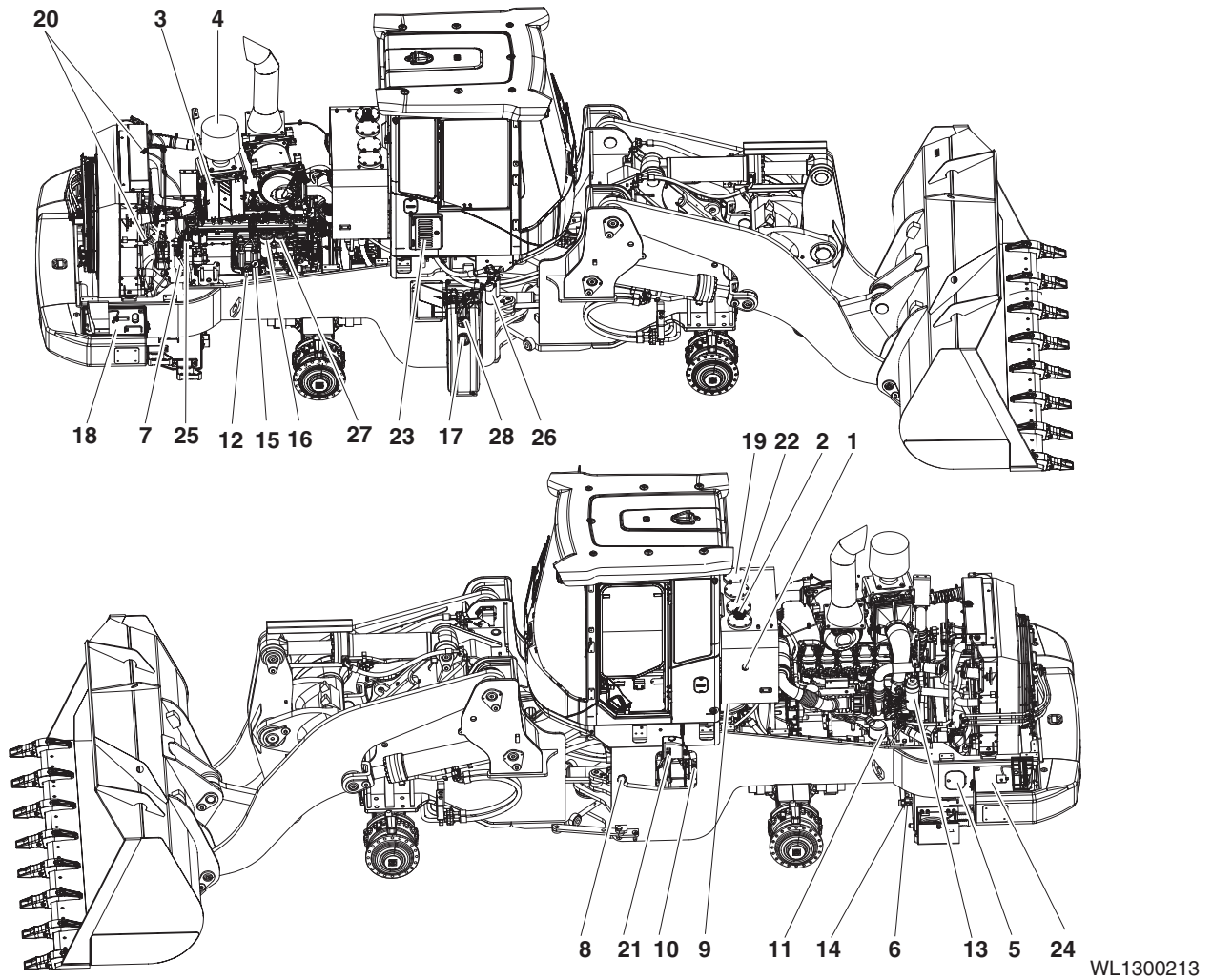


FG018882

Figure 12

| Reference Number | Description |
|------------------|------------------------------------------------------------------------------------------------------|
| 1 | The bucket or work tool must be resting on the ground. |
| 2 | "ENGAGE" parking brake. |
| 3 | Stop engine and remove starter switch key. (Does not apply when checking oil level in transmission). |
| 4 | Carefully release the pressure in pressure lines and pressure vessels to avoid risks. |
| 5 | Attach a black and yellow label to the steering wheel. |
| 6 | Connect the articulated frame lock bar. |
| 7 | Block the wheels in a suitable way (with, for example, wheel chocks). |
| 8 | Allow the engine and hot machine parts to cool. |

Service Points



WL1300213

Figure 13

| Reference Number | Description |
|------------------|----------------------------------|
| 1 | Level Sight Gauge, Hydraulic Oil |
| 2 | Breather, Hydraulic Oil |
| 3 | Air Cleaner |
| 4 | Precleaner |
| 5 | Filling Point, Fuel |
| 6 | Draining Coolant |
| 7 | Fuel Pre Filter |
| 8 | Filling Point, Transmission |
| 9 | Draining, Hydraulic Oil |
| 10 | Fan, Brake and Pilot Filter |
| 11 | Centrifugal Oil Cleaner |
| 12 | Oil Dipstick, Engine |
| 13 | Oil Filter, Engine |
| 14 | Draining Engine Oil |

| Reference Number | Description |
|------------------|------------------------------|
| 15 | Filling Point, Engine Oil |
| 16 | 1st Filter |
| 17 | DEF (AdBlue) Filter |
| 18 | Battery |
| 19 | Return Oil Filter |
| 20 | Filling Point, Coolant |
| 21 | Filling Point, Washer Fluid |
| 22 | Filling Point, Hydraulic Oil |
| 23 | Ventilation Filters, Cabin |
| 24 | Battery |
| 25 | Alternator Belt |
| 26 | Transmission Oil Filter |
| 27 | 2nd Filter |
| 28 | DEF Breather |

HANDLING OIL, FUEL, DEF (ADBLUE) COOLANT

Oil

- Oil is used in the engine and hydraulic equipment under extremely severe conditions (high temperature, high-pressure, etc.) and deteriorates with use. Always use oil that matches the grade and maximum/minimum ambient temperatures recommended in this manual. Even if oil is not dirty, always change oil at specified interval.
- Always be careful when handling oil to prevent any impurities (water, metal particles, dirt, etc.) from getting into the oil.
- Operating problems with the machine can be caused by impurities in oils.
Take particular care not to let any impurities get in when storing or adding oil.
- Never mix oils of different grades or brands.
- Always add specified amount of oil.
- Having too much or too little oil can cause operational problems.
- If oil is not clear in color, there may be water or air getting into circuit. In such cases, contact your DOOSAN distributor.
- When changing oil, always replace related filters at same time.

NOTE: *Only use Ultra Low Sulfur Diesel (ULSD) fuel and API CI-4/ACEA E5, E7 or API CJ-4/ACEA E9 grade engine oil.*

Fuel

To ensure good fuel consumption characteristics and exhaust gas characteristics, the engine mounted on this machine uses an electronically controlled high-pressure fuel injection device. This device uses high precision parts and lubrication. If low viscosity fuel with reduced lubricating ability is used, the durability of the fuel injection device could be adversely affected.

- To prevent moisture in air from condensing and forming water inside fuel tank, always fill fuel tank after completing each day's work.
- The fuel pump will not work properly if fuel containing water or dirt is used.
- Be careful not to let impurities get in when storing or adding fuel.

- Always use the fuel specified for specific temperatures, as described in this manual.
 - If fuel is used at temperatures lower than specified temperature (particularly at temperatures below -15°C (5°F), the fuel will gel-up and solidify.
 - If fuel is used at temperatures higher than specified temperature, the viscosity will drop, and this can cause performance problems.
- Before starting engine, or when ten (10) minutes have passed after adding fuel, drain sediment and water from fuel tank.
- If engine runs out of fuel, or if filters have been replaced, it is necessary to bleed air from circuit.
- If there is any foreign material in fuel tank, wash tank and fuel system.

IMPORTANT

Ultra Low Sulfur Diesel (ULSD) fuel 0.0015 percent (≤ 15 ppm (mg/kg)) sulfur is required by regulation for use in engines certified to nonroad Tier 4 standards (U.S. EPA Tier 4 certified) and that are equipped with exhaust after-treatment systems.

European ULSD 0.0010 percent (≤ 10 ppm (mg/kg)) sulfur fuel is required by regulation for use in engines certified to european nonroad stage IIIB and newer standards and are equipped with exhaust after-treatment systems.

Using improper fuels of higher sulfur level can have the following negative effects:

- Shorten the time interval between after-treatment device service intervals (cause the need for more frequent service intervals).
- Adversely impact the performance and life of after-treatment devices (cause loss of performance).
- Reduce regeneration intervals of after-treatment devices.
- Reduce engine efficient and durability.
- Increase the wear.
- Increase the corrosion.
- Increase the deposits.
- Lower fuel economy.
- Shorten the time period between Oil drain intervals (more frequent oil drain intervals).
- Increase overall operating costs.

Failures that result from use of improper fuels are not DOOSAN factory defects.

Therefore the cost of repairs would not be covered by a DOOSAN warranty.

DEF (AdBlue)

- Use the AdBlue indicated at DIN 70070.
- DEF (AdBlue) is a harmless, colorless and odorless liquid.
- The freezing point of DEF is -11°C (12.2°F). Because the volume of DEF (AdBlue) may expand about 9% when it is frozen, it's recommended to leave 10% of the total volume of the tank empty after filling.

DEF (AdBlue) may smell a foul odor if the temperatures of the DEF (AdBlue) is high.

- DOOSAN recommends that temperature of the DEF (AdBlue) is between 4°C (39°F) to 60°C (140°F).
- If the temperature rises about 60°C (140°F), the DEF (AdBlue) concentration might be high because of the evaporation.
- In the worst case, the circulation line of DEF (AdBlue) might be clogged by the DEF (AdBlue) crystallization.

| Non-permitted container materials for storing DEF (AdBlue) |
|-----------------------------------------------------------------------------------------------------------------------------------------------------------------------|
| Materials forming compounds because of reaction with ammonia, which may negatively interfere with the SCR system: carbon steels, zinc coated carbon steels, mild iron |
| Non ferrous metals and alloys (copper, copper alloys, zinc, lead) |
| Solders containing lead, silver, zinc or copper |
| Aluminium, aluminium alloys |
| Magnesium, magnesium alloys |
| Plastics or metals coated with nickel |

| Allowable DEF (AdBlue) storage days | |
|----------------------------------------------|-----------------------------|
| Constant ambient storage temperature °C (°F) | Maximum shelf life (months) |
| 10 (50) | 36 |
| 25 (77) | 18 |
| 30 (86) | 12 |
| 35 (95) | 6 |

NOTE: Use the DEF for the vehicle (32.5 %), not for the industrial DEF (40 %)

Using Improper DEF can be violation of the law

Coolant and Water for Dilution

- The coolant has the important function of preventing corrosion and preventing freezing.
Even in areas where freezing is not an issue, use of antifreeze coolant is essential.
DOOSAN machines are supplied with DOOSAN coolant. DOOSAN coolant has excellent anticorrosion, antifreeze and cooling properties and can be used continuously for 1 year or 2,000 hours. Therefore, it is recommended to use authorized genuine DOOSAN antifreeze solution.
When using DOOSAN coolant, there is no need to use a corrosion resistor. For details, see “Engine Cooling System” on page 4-98.
- When diluting antifreeze coolant, use distilled water.
Natural water, such as a river water or well water (hard water), contains large amounts of minerals (calcium, magnesium, etc.), and this makes it easier for scale to form inside engine or radiator. Once scale is deposited inside engine or radiator, it is extremely difficult to remove.
If tap water needs to be used, refer to “Engine Cooling System” on page 4-98 for further information on standards and precautions.
- When using antifreeze, always observe precautions given in this manual.
- Antifreeze coolant is flammable, so be sure to keep it away from any flame.
- The ratio of DOOSAN coolant to water differs according to ambient temperature.
For details of ratio when mixing, see “Antifreeze Concentration Tables” on page 4-100.
DOOSAN coolant may be supplied premixed. Never add distilled water.
- If engine overheats, wait for engine to cool before adding coolant.
- If coolant level is low, it will cause overheating and corrosion problems because of air entering coolant.
- Never mix lime (hard water), salt or water contained metal material with coolant.

Grease

- Grease is used to prevent seizure and noises at joints.
- This construction equipment is used under heavy-duty conditions. Always use recommended grease and follow change intervals and recommended ambient temperatures set forth in this manual.
- Always wipe off all old grease that is pushed out when greasing.
- Wipe off old grease where sand or dirt sticking in the grease can cause wear of rotating parts.

Filters

- Filters are extremely important component parts. They prevent impurities in hydraulic oil, fuel and air circuits from causing problems.

Replace all filters periodically. See details set forth in "Lubrication and Service Chart" on page 4-30.

When working in severe conditions, replace filters at shorter intervals according to oil and fuel (sulfur content) being used.

- Never try to clean filter (cartridge type) and use them again. Always replace with new filters.
- When replacing oil filters, check if any metal particles are attached to oil filter. If any metal particles are found, contact your DOOSAN distributor.
- Do not open packages of spare filters until just before they are to be used.
- Always use DOOSAN genuine filters.

ELECTRICAL SYSTEM MAINTENANCE

- If electrical equipment becomes wet or covering of wiring is damaged, this will cause an electrical short circuit and result in improper machine operation. Do not wash inside of operator's cabin with water. When washing the machine, be careful not to let water get into electrical components.
- Service relating to the electrical system is: checking fan belt tension, checking damage or wear to the fan belt, and checking battery electrolyte level.
- Never install any electric components other than those specified by DOOSAN.
- External electromagnetic interference can cause malfunction of the control system controller. Before installing a radio receiver or other wireless equipment, contact your DOOSAN distributor to discuss steps necessary to prevent electromagnetic interference.
- When working in saltwater areas or in or around snow, carefully clean the electrical system to prevent corrosion.
- When installing electrical equipment, connect it to the special power source connector. See "10. Power Socket for 12 Volt" on page 2-67.

Do not connect the optional power source to a fuse, starter switch, or battery relay.

RECOMMEND FUEL, COOLANT, AND LUBRICANT

- Lubrication is an important part of preventive maintenance. To keep your machine in optimum condition for long periods of time, it is essential to follow the instructions set forth in this manual.
- Failure to follow these recommendations can result in shortened life or excess wear of the engine, power train, cooling system, and/or other components.
- Commercially available lubricants can cause harm to the machine. Use sparingly. DOOSAN does not recommend any commercially available lubricant additive.
- When starting the engine in temperatures below 0°C (32°F), be sure to use the recommended multigrade oil, even if the ambient temperature may become higher during the course of the day.
- If the machine is operated at temperatures below -20°C (-4°F), a separate device is needed. Discuss with your DOOSAN distributor.
- Only use Ultra Low Sulfur Diesel (ULSD) fuel and API CI-4/ ACEA E5, E7 or API CJ-4/ACEA E9 grade engine oil.
- If ULSD fuels are not available, the sulfur contents of fuel being used must be less than 15 ppm.

Lubrication

Lubrication is an important part of preventive maintenance. If the machine is lubricated in the specified manner, the life of equipment and components can be considerably extended. The “Lubrication and Service Chart” on page 4-30 makes lubrication work easier and reduces the risk of forgetting lubrication intervals.

IMPORTANT

Wipe off grease fittings and grease gun before greasing to prevent sand and dirt particles from penetrating into components.

Before Service Instructions

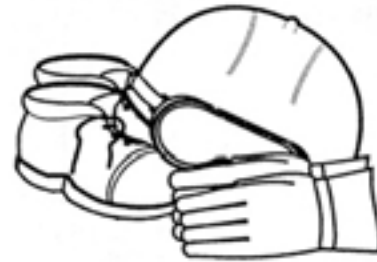
- Read Operation & Maintenance Manual and decals/labels and instructions found on machine to obtain required knowledge and information about machine.
- To be able to properly perform service work it is important that correct tools and equipment be used. Replace or repair broken tools and faulty equipment.
- When lifting machine, the articulated frame joint must be locked and machine lifted at lifting eyes intended for this purpose.



FG001666

Figure 14

- Use a hard hat, safety goggles, protective shoes, gloves and an approved respirator or other protective articles when required.
- Do not wear loose fitting clothing or jewelry.
- Keep service surfaces, handholds and handrails clean from oil, dirt and ice.
- Use stepping areas provided with anti-slip protection to avoid risk of slipping. Worn, painted over, or loose protections must be replaced. Remember that high-pressure water jets when washing and spilled oil can cause protections to loosen. Do not direct water jets against protections and always wipe up spilled oil immediately.
- Make sure there is sufficient ventilation when starting engine indoors.
- Do not exceed maximum permissible floor load.
- Do not stand in front or behind machine while engine is running.
- Use a ladder when changing light bulbs or performing other service work high up on the machine.
- Use a long handled window scraper and brush or a ladder when cleaning outside of windows.
- The installation of a two-way radio, lever steering or similar equipment must be done by a qualified person, because a faulty installation can cause interference with electronic components controlling vital machine functions.



FG001667

Figure 15

- When performing service work below raised lifting arm system, lifting arms must first be secured (lift arm support). In addition, control lever lockout and parking brake must be applied.
- Use caution when changing oil in engine, hydraulic system or transmission as oil may be hot and cause burns.
- When emptying/draining oil or fuel, use a pump or a hose and collect liquids in a suitable vessel. Spillage will damage environment and can cause a fire or other hazards. Waste oil and other contaminating liquids must be handled and disposed according to applicable environmental laws and regulations.
- When operating in an area which is contaminated or dangerous to one's health, machine must be specially equipped for this purpose. Special local safety regulations could apply within such areas.
- Stop engine before opening engine covers etc. Make sure no tools or other objects, which can cause damage, have been left in or on machine.
- Check equipment you are using for lifting or supporting parts of machine, e.g. straps, slings, ratchet blocks. Make sure ground support persons are properly trained to meet all applicable laws and regulations.
- Release pressure in pressure vessels, components and systems carefully and in prescribed way, so excess pressure is released without risk.
- When connecting hydraulic hoses, check that desired effect has been achieved, i.e. check that hydraulic function operates in expected way.
- Hoses, pipes and quick-connect couplings may be pressurized even if machine is stationary and engine is turned "OFF". Such pipes and hoses should only be disconnected by trained personnel.
- When looking for leaks, use a piece of paper or wood, not your hand. Always wear eye and face protection.

Fire Prevention Measures

There is always a risk of fire. It is important that you use a fire extinguisher approved for your machine and working environment and that you learn how to use it. The fire extinguisher must be placed behind the seat or externally in a lockable box.

If machine is to be provided with a handheld fire extinguisher, it must be a ABE type (ABC in the USA). This means that it is possible to extinguish fires in both solid and liquid carbonaceous material and that active compound does not conduct electricity.

The effectiveness grade I means that time the extinguisher is effective must not be less than eight (8) seconds, grade II at least eleven (11) seconds and grade III at least fifteen (15) seconds.

A handheld fire extinguisher ABE I (in the USA, ABC type) normally corresponds to a powder content of 4 kg (8.8 lb) (EN-grade 13A89BC), the EN 3-1995 standard, parts 1, 2, 4 and 5.

If there is a sign of a possible fire, take the following steps:

1. Drive machine away from fire sensitive area caused by fire.
2. Lower bucket or work tool to ground.
3. Stop engine by turning starter switch key to "0" (OFF) position.
4. Leave cabin.
5. Turn "OFF" battery disconnect switch.
6. Extinguish fire and notify fire brigade/department if necessary.

Do not smoke or have an open flame near a machine when filling with fuel or when the fuel system has been opened and in contact with the surrounding air.

Diesel fuel oil is flammable and must not be used for cleaning. Use an approved solvent and do not inhale fumes. Certain solvents can cause skin rashes and constitute a fire hazard.

Flammable starting aids must not be used because of the possibility of explosion in the induction air system.

Keep area clean where service work is to be done. Oil or water makes the floor slippery and can be hazardous when working with electrical equipment or electrically powered tools. Oily or greasy clothes are a serious fire hazard.

Check daily that the machine and equipment, e.g. underbody plates are free from dust and oil to reduce risk of fire and for easier detection of damaged or loose components.

NOTE: *If a high-pressure jet is used for cleaning prevent damage to electrical connectors and insulation by covering and protecting the components.*

Take extra care when cleaning the machine after it has been used in a fire sensitive environment, e.g. sawmill and refuse dumps. Reduce the risk of spontaneous combustion by installing a silencer guard or high capacity cyclone precleaner.

Sound absorbing material in the engine compartment must be kept clean to minimize the fire hazard.

Fire prevention equipment which is installed on the machine must be maintained.

Check that fuel lines, hydraulic and brake hoses and electrical cables have not been damaged by chafing and are properly installed and clamped.

- Between the batteries.
- Between battery and starter motor.
- Between alternator and starter motor.

Electrical cables must not rest directly against oil or fuel lines.

The following applies for welding and grinding work:

- A fire extinguisher must be kept near at hand.
- The ventilation must be good when working indoors.
- Approved respirator must be used.
- The work surface must be cleaned.
- Do not weld or grind on components which are filled with flammable liquids, e.g. tanks and hydraulic pipes. Exercise care with such work near these places.

Working on Painted Surfaces

When welding, grinding and gas cutting, the paint finish must first be removed from an area with a radius of at least 10 cm (4 in) from the point where the work is to be done. Paint when heated can cause irritation and be very harmful in case of long or frequent exposure.

In addition to the health hazard, welding over a painted surface will also be of an inferior quality and strength. Never weld directly on a painted surface.

Methods and Precautionary Measures When Removing Paint

Blasting

- Use respirator and eye protection.

Paint remover or other chemicals

- Use a portable air extractor, respirator and protective gloves.

Grinding machine

- Use a portable air extractor, respirator and protective gloves and eye protection.

Rubber That Contains Fluorides

Take precautions when it is suspected that you may have to handle rubber that contains fluorides.

Certain seals which have to withstand high operating temperatures (e.g. in engines, transmissions, axles, hydraulic motors and pumps) may be made from rubber that contains fluorides, which, when exposed to high heat (fire), forms hydrogen fluoride and hydrofluoric acid. This acid is very corrosive and cannot be rinsed or washed off from the skin. It causes very severe burns which take a long time to heal.

Also, contact with or burns from these chemicals usually cause tissue damage. It usually means that damaged tissue must be surgically removed. Several hours may pass after contact with fluorides, before any symptoms appear and therefore one is not given any immediate warning. The acid may remain on the machine parts for several years after a fire.

If swelling, redness or a stinging feeling appears and one suspects that cause may be contact with heated rubber that contains fluorides, contact a medical doctor immediately. If a machine, or part of a machine, has been exposed to fire or severe heat, it must be handled by specially trained personnel. In all handling of machines after a fire, thick rubber gloves and protective goggles must be used.

The area around a part which has been very hot and which may be made of rubber that contains fluorides must be decontaminated by thorough and ample washing with limewater (a solution or suspension of calcium hydroxide, i.e. slaked lime in water). After the work has been completed, the gloves must be washed in limewater and then discarded.

Rubber and Plastics

Polymer materials when heated, can form compounds which are dangerous to your health and environment and must therefore never be burned when scrapped. Also, take care when handling machines which have been subjected to fire or other extreme heat.

If gas cutting or welding is to be done near such materials, the following safety instructions must be followed:

- Protect the material from heat.
- Use protective gloves, protective goggles and an approved respirator.

Waste Hazardous to the Environment

Painted parts or parts made of plastic or rubber which are to be scrapped must never be burned, but must be handled and disposed of by an approved refuse handling plant.

Batteries, plastic objects and anything else which is suspected of being dangerous to the environment must be handled and disposed of in an environmentally safe manner.

Check List After a Fire

When handling a machine which has been damaged by fire or been exposed to intense heat, the following protective measures must under all circumstances be followed:

Use thick, gloves made of rubber and wear goggles which are certain to protect your eyes.

Never touch burned components with your bare hands, as there is a risk that you may come into contact with fluorides. First, wash thoroughly with plenty of limewater (a solution or suspension of calcium hydroxide, i.e. slaked lime in water).

As a precaution, seals (O-rings and other oil seals) should always be handled as if they were made of rubber that contains fluorides.

Treat skin, which is suspected of having touched burned rubber that contains fluorides, with Hydrofluoric Acid Burn Jelly or something similar. Seek medical advice immediately. Symptoms may not appear until several hours after initial contact.

Discard gloves, rags etc. which are suspected of having touched burned rubber that contains fluorides.

PREVENTIVE MAINTENANCE

Periodic checks and replacement of oil, grease, filters, etc. must be made at the specific intervals to keep the machine in good working condition. The following pages describe items to be checked, lubricants to be used and the specified time interval between each check.

NOTE: *Time interval between each service check may need to be shortened if machine is operating in severe environmental conditions. Machines working in extremely hot or dusty conditions will require more frequent service checks. Total hours of machine operation are determined by hour meter that is on the front instrument panel.*

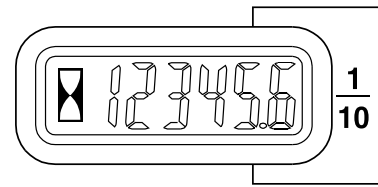


Figure 16

HAOA600L

Product Identification Number (PIN) Location

The PIN is stamped on product identification plate (Figure 17) on the right side of front frame above wheel cover.

NOTE: *Record of these numbers and their locations. These will be required whenever warranty or service work is requested. Keep this number on file, in case the machine is stolen.*

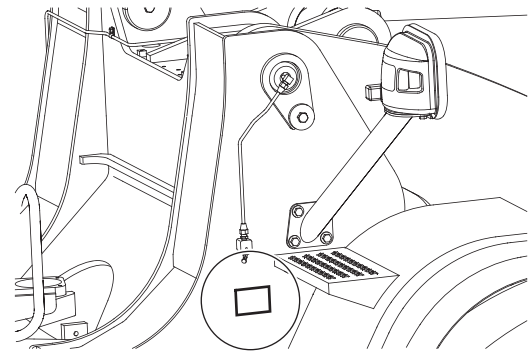


Figure 17

WL1300041

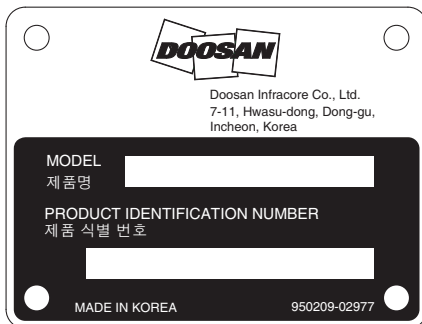
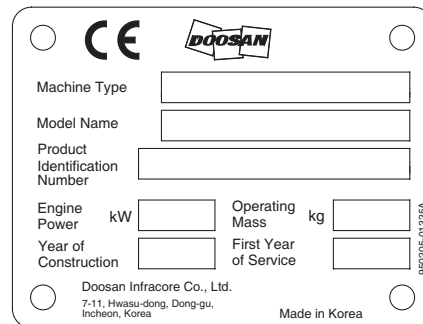


Figure 18



EX1301248

The number is also stamped in the rear frame on the right side just below the cabin (Figure 19).

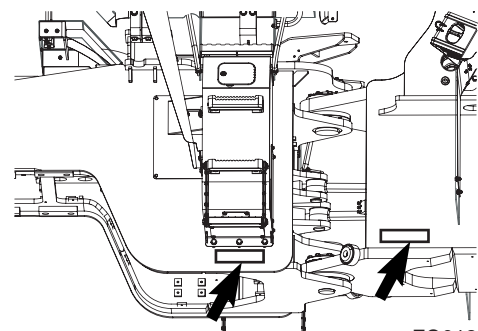


Figure 19

FG018920

Component Serial Numbers

There are many serial numbers on each traceable component of the machine. For example, engine serial number is stamped on the rear left side of the engine block, above the starter. Additional engine information is described on a label on the rocker cover.

Record these numbers and their locations. These will be required whenever warranty service work is requested.

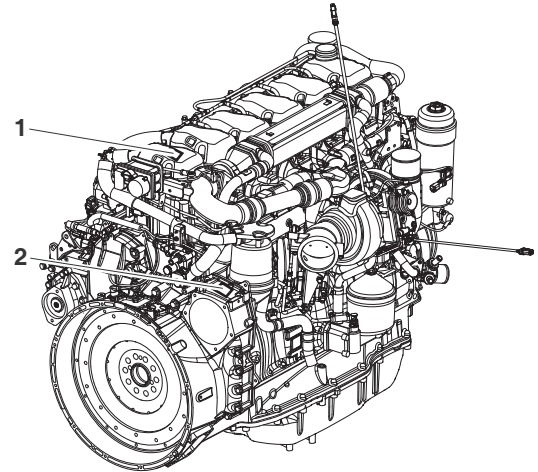
Engine Identification

Engine Data Plate

The engine data plate provides important facts about the engine. The engine serial number (ESN) and control parts list (CPL) provide information for service and ordering parts. The engine data plate **must not** be changed unless approved by SCANIA.

The data plate is located on the fuel pump side of the engine, on the rocker housing. The following engine data is mandatory when communicating with a SCANIA Authorized Repair Location- or when sourcing service parts:

| Reference Number | Description |
|------------------|-----------------------------|
| 1 | DOOSAN'S "OWN" Engine Plate |
| 2 | SCANIA'S Standard Plate |



WL1300184

Figure 20

TABLE OF RECOMMENDED LUBRICANTS

IMPORTANT

It is highly recommend to use DOOSAN Genuine Products, or products which meet the specifications below. Using other products can damage equipment.

NOTE: Refer to Maintenance Intervals Table for application points.

(If equipped) See "Lubricants" on page 3-41 for more information of lubricants.

| Reservoir | Kind of Fluid | Ambient Temperature | | | | | | | | | | | |
|--------------------|----------------------|---------------------|-----|-----|-----|-----|----|----|----|----|-----|--------|--|
| | | -58 | -40 | -22 | -4 | 14 | 32 | 50 | 68 | 86 | 104 | 122 °F | |
| | | -50 | -40 | -30 | -20 | -10 | 0 | 10 | 20 | 30 | 40 | 50 °C | |
| Engine Oil Pan | **
Engine Oil | | | | | | | | | | | | |
| Transmission | | | | | | | | | | | | | |
| Axle | Gear Oil | | | | | | | | | | | | |
| Hydraulic Oil Tank | ***
Hydraulic Oil | | | | | | | | | | | | |
| | | | | | | | | | | | | | |
| | | | | | | | | | | | | | |
| | | | | | | | | | | | | | |
| Fuel Tank | Diesel Fuel | | | | | | | | | | | | |
| | | | | | | | | | | | | | |
| Grease Fitting | Grease | | | | | | | | | | | | |

| | | |
|-----------------------------------------------------------------------------------------------------------------------------------------------------------------------------------------------------------------------------------------------------------|---------|------------------------------------------|
| Cooling System | Coolant | * (50% antifreeze - 50% distilled water) |
| * Installed at factory. | | |
| ** Engine oil must meet API CI-4/ACEA E5, E7 or API CJ-4/ACEA E9. | | |
| *** Hydraulic oil change interval is 2,000 hours, only when DOOSAN Genuine Oil is used. If other brands of oil is used, guaranteed change interval is 1,000 hours. Note that mixing ratio is for reference purpose only, and is not an absolute standard. | | |
| 1) Recommended for use at extremely low temperature below -20°C. | | |
| 2) Filled at factory. Doosan genuine engine oil is recommended for use. | | |
| 3) Doosan genuine engine oil is recommended for use. | | |
| API: American Petroleum Institute. | | |
| ACEA: Association des Constructeurs Européens d'Automobiles. | | |
| ASTM: American Society of Testing and Materials. | | |
| ISO: International Organization for Standardization. | | |
| NLGI: National Lubricating Grease Institute. | | |
| SAE: Society of Automotive Engineers. | | |

Recommended Grease for Auto Grease System

Following conditions apply to greases for Auto Grease System

- Grease up to NLGI grade 2 (NLGI Grade 1 to 2 greases with EP additives, compatible with plastics, NBR elastomers, copper and copper alloys, and NLGI Grade 000 to 0 fluid greases).
- Grease containing up to 5% MoS₂ as an additive.
- NLGI grade 2 grease containing solids such as graphite and copper (e.g. chisel paste).
- The particle size less than 3 and not exceed 5% μm.
- Sodium soap greases must not be used.

IMPORTANT

Unsuitable grease choice causes the fault of low level monitoring in the pump.

Check the grease quantity in the central lubrication pump before starting a machine.

NOTE: *Contact your DOOSAN distributor to choose proper greases under -20°C (-4°F).*

| Recommended DOOSAN Genuine Grease for Auto Grease System | | | |
|----------------------------------------------------------|------------|------|------|
| Grease Type | NLGI Grade | °C | °F |
| | | Min. | Min. |
| Multipurpose Grease (EP) | 2 | -10 | 14 |
| Grease for Cold Weather | 1 | -20 | -4 |

| LUBRICANT MANUFACTURER | TRANSMISSION GEAR OIL |
|------------------------|----------------------------------------------------------------------------------------------------------------------------------------|
| Same as engine oil | SAE 15W40
API CD-4 and above
NOTE: <i>Oil grade for transmission is different from engine oil grade (CH-4 and above).</i> |

| Antifreeze | |
|--------------------------------------|----------------------------------------|
| Recommended Concentration | Manufacturers Meeting ASTM D3306 |
| 50% Antifreeze - 50% Distilled Water | DOOSAN Genuine Solution |
| | Dexcool ELC by Chevron Texaco |
| | Alugard G48 by BASF |
| | Others meeting or exceeding ASTM D3306 |

NOTE: *Mixing ratio is for reference purpose only and is not an absolute standard.*

IMPORTANT

Do not mix oils from different manufacturers. DOOSAN does not endorse specific brands but does recommend that owners select quality oils whose manufacturers provide assurance that required standards will always be met or exceeded.

IMPORTANT

Fluctuating daily or weekly extremes of temperature, or operation in subzero freezing weather, may make it impractical to use straight weight lubricants. Select lubricant types that are appropriate for climate conditions.

TRANSMISSION OIL

Oil Grade of Transmission

Low Temperature Limits

| Property | Oil Type/Viscosity Grades | Temperature | |
|--------------------|-------------------------------------------------------------------------|-------------|--------|
| | | | |
| 03D | ATF | - 30°C | - 40°C |
| 03F | "UTTO in Accordance with JDM J20D/
John Deere Low Viscosity Hy-Gard" | - 30°C | - 40°C |
| 03E, 03G, 03H | UTTO | - 20°C | |
| 03K | SAE 0W-30, 0W-40 | - 30°C | - 40°C |
| 03B, 03C, 03K | SAE 5W-30, 5W-40 | - 25°C | - 35°C |
| 03A, 03B, 03C, 03K | SAE 10W, 10W-30, 10W-40 | - 20°C | - 30°C |
| 03A, 03C, 03K | SAE 15W-30, 15W-40 | - 15°C | - 25°C |
| 03A, 03C, 03K | SAE 20W-20, 20W-40 | - 10°C | - 20°C |
| 03A, 03C, 03K | SAE 30 | - 5°C | - 10°C |

| Lubricant Classes for Service Fills (1) |
|--------------------------------------------------------------------------------------------|
| "03A, 03B, 03C, 03D, 03E, 03G, 03H, 03K only at Ambient
Temperatures Below - 10°C: 03F" |

(1) The current list can be requested from any DOOSAN, ZF after-sales service center or accessed on the Internet under www.zf.com

Oil Change Intervals

| Lubricant Class | 03A, 03B, 03C, 03D,
03E, 03F, 03H, 03K | 03G |
|-----------------|-------------------------------------------|--------|
| Load Class | Oil Change Interval | |
| Normal | 1500 h | 2000 h |
| Severe | 1000 h | 1500 h |

Load Class

| Load Class | Examples of Applications |
|------------|---------------------------------------------------------------------------------------------------------------------------------------------------------|
| Severe | <ul style="list-style-type: none"> • Wheel loader operated under extreme braking conditions • At ambient temperatures > 40°C |

AXLE OILS

Oil Grade ZF-Powerfluid

Oil intended for axles with built-in brakes

| Property | Unit | ZF-Powerfluid |
|------------------------------------------------------------------------------------------|--------------------|---------------|
| Density at 15°C | kg.m ³ | 881 |
| Viscosity at 40°C | mm ² /s | 70 |
| Viscosity at 100°C | mm ² /s | 9.1 |
| Brookfield viscosity at -30°C | mPa.s | 58,000 |
| Pour point | °C | -39 |
| Flash point (COC) | °C | 237 |
| Shear stability Viscosity at 100°C after 100 hrs tapered roller bearing shear test (TRB) | mm ² /s | 8.5 |
| Scuffing resistance FZG A/8.3/90°C | fail load stage | 11 |

| Lubricant Classes for Service Fills (1) |
|-----------------------------------------|
| ZF-Powerfluid Plus, 05F |

(1) The current list can be requested from any DOOSAN, ZF after-sales service center or accessed on the Internet under www.zf.com

Oil Change Intervals

| | |
|-----------------|-------------------------|
| Lubricant Class | ZF Powerfluid Plus, 05F |
| Load Class | Oil Change Interval |
| Normal | 1500 h |
| Severe | 1000 h |

Load Class

| Load Class | Examples of Applications |
|------------|------------------------------------------------------------------------------------------------------------------------------------------------------|
| Severe | <ul style="list-style-type: none">• Wheel loader operated under extreme braking conditions• At ambient temperatures > 40°C |

Engine Oil Drain Intervals by Duty Cycle (Hours)

The engine oil must fulfill the following quality requirements:

- API CI/ACEA E5,E7 or API CJ/ACEA E9
- For engines not running on low-sulfur fuel, the TBN (Total Base Number) must be at least 12 (ASTM 2896).

Check with your oil manufacturer/supplier that oil meets these requirements. For operation at extremely low ambient temperature, consult your nearest Doosan distributor on how to avoid starting difficulties.

FLUID CAPACITIES

| Component | | Capacity |
|--------------------|-------------------------------------|---------------------------------------------------------------------------------------------------------------------------------------------------------------|
| Engine | Oil Pan with Filter | Minimum 34liters
(9.0 U.S. gal.)
Maximum 45 liters
(11.9 U.S. gal.)

NOTE: <i>The filter holds an additional 1 liter (1 qt) of oil.</i> |
| | Cooling System | 60 liters
(15.9 U.S. gal.) |
| Fuel Tank | | 416 liters
(108.9 U.S. gal.) |
| DEF (AdBlue) Tank | | 60 liters
(15.8 U.S. gal.) |
| Hydraulic Oil Tank | | 242 liters
(63.9 U.S. gal.) |
| Transmission | | 54 liters
(14.3 U.S. gal.) |
| Axles | Front Axle Differential / Front Hub | 58 liters
(15.3 U.S. gal.) |
| | Rear Axle Differential / Rear Hub | 58 liters
(15.3 U.S. gal.) |

NOTE: *This capacity may include the tank (reservoir), lines, pipes and components and attachment.*

Observe all sight gauge and level indicators to ensure that systems and compartment are refilled to the proper level.

LUBRICATION AND SERVICE CHART

Greasing Bearings

The service life of bushings and pivot pins can be extended considerably if the machine is greased regularly and in the correct way.

The greasing of bearings has two main purposes:

- Add grease to the bearing to reduce friction between pin and bushing.
- Replace old grease which may contain dirt. The grease in the space inside the outer seal collects dirt and prevents dirt and water from penetrating into the bearing.











Grease the bearing until new, clean grease is forced out through the outer seal.










Between 10 and 15 strokes with a normal handheld grease gun is required to grease one of the bearings for the lifting arms.

Wipe off grease fittings and grease gun before greasing, so dirt and sand is not introduced through the grease fittings.

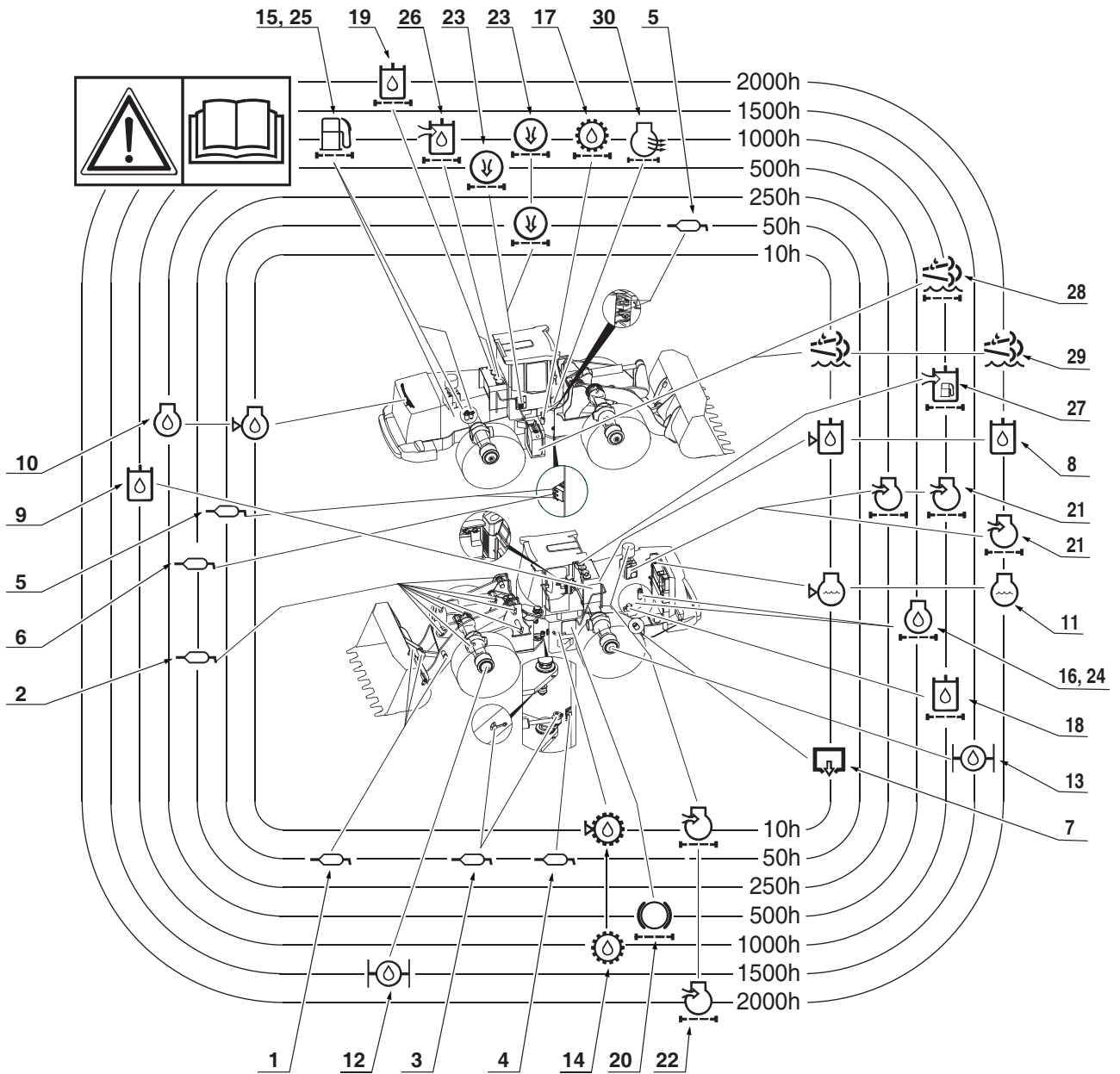
Symbols for Lubrication and Service Chart

These standard symbols are used in the "Lubrication and Service Chart" on the next page.

| Symbol | Description |
|-------------------------------------------------------------------------------------|------------------------------|
|  | Lubrication |
|  | Transmission Oil |
|  | Engine Oil |
|  | Engine Oil Filter |
|  | Hydraulic Oil |
|  | Hydraulic Oil Return Filter |
|  | Coolant |
|  | Air Cleaner Filter |
|  | DEF (AdBlue) |
|  | DEF (AdBlue) Breather Filter |

| Symbol | Description |
|------------------------------------------------------------------------------------|-----------------------------|
|  | Fuel Filter |
|  | Air Conditioner Filter |
|  | Drain Water |
|  | Gear Oil (Axle) |
|  | Brake Filter |
|  | Level check |
|  | Hydraulic Oil Tank Breather |
|  | Fuel Cap Filter |
|  | DEF (AdBlue) Filter |
| | |


Lubrication and Service Chart



WL1400776

Figure 21

| Service Data | | | | | | | | | | |
|--------------|------------------------------|-------|---------------------------------|------|--------------------------------------------|----|-----|-----|------|------|
| No. | Items To Check | | Service | Qty. | Service Interval | | | | | |
| | | | | | 10 | 50 | 250 | 500 | 1000 | 1500 |
| 1 | Front Joint Pin | | Grease | 4 | F100 | | | | | |
| 2 | Front Joint Pin | | Grease | 9 | | | | | | |
| 3 | Articulation Pin | | Grease | 2 | | | | | | |
| 4 | Rear Axle Pivot | | Grease | 3 | | | | | | |
| 5 | Steering Cylinder | | Grease | 4 | | | | | | |
| 6 | Front Driveshaft Bearing | | Grease | 1 | | | | | | |
| 7 | Fuel Tank | | Diesel | 416ℓ | Lubricant of working final time | | | | | |
| 8 | Hydraulic Oil Tank | | Hydraulic Oil | 242ℓ | V | | | | | |
| 9 | Hydraulic Oil Sampling | | Hydraulic Oil | | | | V | | | |
| 10 | Engine Oil Pan | | Engine Oil ⁽¹⁾ | 45ℓ | V | F | | | | |
| 11 | Radiator | | Coolant (Antifreeze) | 60ℓ | V | | | | | |
| 12 | Front Axle | | Axle Gear Oil | 58ℓ | | | F | | | |
| 13 | Rear Axle | | Axle Gear Oil | 58ℓ | | | F | | | |
| 14 | Transmission | | Transmission Oil ⁽¹⁾ | 54ℓ | V | | F | | | |
| 15 | Fuel Filter | Pre | Cartridge | 1 | | | | | | |
| | | Main | | 1 | | | | | | |
| 16 | Engine Oil Filter | | Cartridge | 1 | | F | | | | |
| 17 | Transmission Filter | | Cartridge | 2 | | | F | | | |
| 18 | Full Flow Filter | | Element | 1 | | | F | | | |
| 19 | Oil Suction Filter | | Strainer | 2 | | | | | | C |
| 20 | Fan, Brake and Pilot Filter | | Element | 1 | | | | | | |
| 21 | Air Cleaner | Outer | Element | 1 | | | C | | | |
| | | Inner | Element | 1 | | | | | | |
| 22 | Turbo Precleaner | | Case | 1 | Check frequently and then clean with air | | | | | |
| 23 | Air Conditioner Filter | Outer | Cartridge | 1 | | C | | | | |
| | | Inner | | 1 | | | C | | | |
| 24 | Oil Cleaner | | Centrifugal | 1 | | | C | | | |
| 25 | Water Separator | | Cartridge | 1 | | | | | | |
| 26 | Air Breather Filter | | Element | 1 | | | | | | |
| 27 | Fuel Cap Filter | | Element | 1 | | | | | | |
| 28 | DEF (AdBlue) Filter | | Element | 1 | | | | | | |
| 29 | DEF (AdBlue) Tank | | DEF | 60ℓ | Refill urea when urea level light turns on | | | | | |
| 30 | DEF (AdBlue) Breather Filter | | Cartridge | 1 | | | | | | |

V: Maintenance and Refill.
C: Cleaning.
F: First Time Exchange Only.
F100: Every 10 Hours for First 100 Hours.
W10: Every 10 Hours If Operating In Water.
: Replacement On Every Interval

NOTE: For additional service items see list of "Maintenance Intervals" on page 4-34.
NOTE: This capacity may include the tank (reservoir), lines, pipes and components and attachment.
Observe all sight gauge and level indicators to ensure that systems and compartment are refilled to the proper level.

MAINTENANCE INTERVALS

| SERVICE ITEM | PAGE |
|--------------------------------------------------------------------------------------------------------------------------------------------------|------|
| 10 Hour / Daily Service | |
| Grease Front Attachment Pins | 4-36 |
| Check Engine Oil Level | 4-36 |
| Check Transmission Oil Level | 4-37 |
| Check Hydraulic System Oil Level | 4-38 |
| Check for Leaks in Hydraulic System | 4-39 |
| Fill Fuel Tank | 4-39 |
| Check for Leaks in Fuel System | 4-40 |
| Drain Fuel Condensation | 4-40 |
| Fill DEF (AdBlue) Tank | 4-40 |
| Check Coolant Level | 4-41 |
| Check Level of Windshield Washer Liquid | 4-41 |
| Inspect Bucket Teeth and Side Cutters for Signs of Wear | 4-42 |
| Inspect Cooling Fan Blade | 4-42 |
| Check Engine Air Intake Precleaner | 4-42 |
| Check Air Intake System | 4-43 |
| Inspect Seat Belt for Proper Operation | 4-43 |
| Inspect Mirrors for Damage and Adjust and Clean as Required | 4-43 |
| Inspect Structure for Cracks and Faulty Welds | 4-43 |
| Check Operation of All Switches | 4-44 |
| Check Operation of All Exterior Lights, Horn and Control Console Indicator and Monitor Lights | 4-44 |
| Start Engine, Check Starting Ability, and Observe Exhaust Color at Start-up and at Normal Operating Temperature. Listen for Any Abnormal Sounds. | 4-44 |
| Check That Back up Alarm and Rear Camera (If equipped) is Working Properly. | 4-44 |
| Inspect All Tires for Correct Tire Pressure and Signs of Damage or Abnormal Wear | 4-44 |
| Check Operation of All Controls and Linkages | 4-45 |
| 50 Hour / Weekly Service | |
| Perform All Daily Service Checks | 4-46 |
| Grease Front Attachment Pins | 4-46 |
| Grease Steering Cylinder Rod and Head Ends | 4-47 |
| Grease Upper and Lower Center Pins | 4-48 |
| Change Engine Oil and Filter (After First 50 Hours) | 4-49 |
| Change Hydraulic Full Flow Filter (After First 50 Hours) | 4-49 |
| Check Air Conditioner and Alternator Belt Tension (After First 50 Hours) | 4-49 |
| Clean Exterior of Radiator, Oil Cooler and Air Conditioner Condenser | 4-49 |
| Clean Air Conditioner Outer Filter | 4-50 |
| 250 Hour / Monthly Service | |
| Perform All Daily and 50 Hour Service Checks | 4-51 |
| Drain Water From Hydraulic Oil Tank | 4-55 |
| Grease Front Attachment Pins | 4-56 |
| Check Air Conditioner Belt Tension | 4-58 |
| Grease Driveshafts | 4-58 |
| Change Transmission Oil and Filter (After First 250 Hours) | 4-59 |
| Fuel Water Trap | 4-59 |
| Auto Grease System (If Equipped) | 4-59 |
| Clean Oil Bath Precleaner (Optional) | 4-60 |

| 500 Hour / 3 Month Service | |
|---------------------------------------------------------------------------|------|
| Perform All Daily, 50 and 250 Hour Service Checks | 4-62 |
| Clean Outer Air Cleaner Filter | 4-62 |
| Change Hydraulic System Brake and Pilot Filter | 4-64 |
| Change Engine Oil | 4-65 |
| Change Engine Oil Filter | 4-66 |
| Clean Centrifugal Oil Cleaner | 4-67 |
| Clean Exterior of Radiator, Oil Cooler and Air Conditioner Condenser | 4-69 |
| Check and Adjust Valve Clearance | 4-69 |
| Clean Air Conditioner Inner Filter | 4-70 |
| Change Axle Differential and Planetaries Oil (After First 500 Hours) | 4-70 |
| Change Air Conditioner Outer Filter | 4-70 |
| Check Hydraulic Oil Contamination | 4-71 |
| 1,000 Hour / 6 Month Service | |
| Perform All Daily, 50, 250, and 500 Hour Service Checks | 4-72 |
| Change Water Separator | 4-72 |
| Change Fuel Filter | 4-73 |
| Change DEF (AdBlue) Breather Filter | 4-76 |
| Change DEF (AdBlue) Filter | 4-77 |
| Drain and Change Transmission Oil and Filter | 4-78 |
| Change Air Conditioner Inner Filter | 4-79 |
| Check and Adjust Engine | 4-79 |
| Clean Fuel Tank and Strainer | 4-80 |
| Check Air Conditioner Refrigerant | 4-81 |
| Change Air Breather Filter | 4-82 |
| Change Hydraulic Full Flow Filter | 4-83 |
| Change Fuel Cap Filter | 4-84 |
| Check Drive Belt | 4-86 |
| 1,500 Hour / 9 Month Service | |
| Perform All Daily, 50, 250 and 500 Hour Service Checks | 4-87 |
| Change Axle Differential and Planetaries Oil | 4-87 |
| 2,000 Hour / Yearly Service | |
| Perform All Daily, 50, 250, 500 and 1,000 Hour Service Checks | 4-89 |
| Change Outer Air Cleaner Filter | 4-89 |
| Change Inner Air Cleaner Filter | 4-89 |
| Check Steering, Brake, Driveshaft, Engine, and Fuel System | 4-89 |
| Change Pipes and Hoses | 4-89 |
| Change Radiator Coolant | 4-90 |
| Change Hydraulic Oil and Clean Oil Suction Strainer | 4-91 |
| Bleed Brakes | 4-93 |
| Check Brake Accumulator | 4-94 |
| 12,000 Hour / 6 Year Service | |
| Hose In-service Lifetime Limit (European Standard ISO 8331 and EN982 CEN) | 4-95 |

10 HOUR / DAILY SERVICE

Grease Front Attachment Pins

NOTE: *Fittings must be greased daily, or every 10 hours, for the first 100 hours of operation to comply with the new machine break-in requirements. After that, greasing must be done every 50 hours. If bucket is being used in water, grease fittings immediately after machine is removed from water. Follow procedure printed under the 50 hour maintenance interval "Grease Front Attachment Pins" on page 4-46.*

Check Engine Oil Level



WARNING

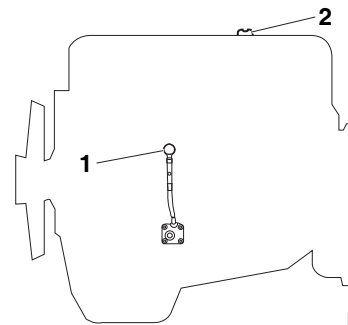
AVOID DEATH OR SERIOUS INJURY

Allow engine to cool before checking oil level to avoid burn injury.

NOTE: *Leave the engine off for at least one (1) minute before checking oil level.*

1. Remove oil dipstick (1, Figure 22) and check the oil level. The correct level is between the minimum and maximum marks on the oil dipstick.
2. Remove dipstick and check oil level mark. Oil level must be between "LOW" and "FULL" marks. Add through fill cap (2, Figure 22).

NOTE: *See "Table of Recommended Lubricants" on page 4-24 for information on the correct type of oil.*



FG018922

Figure 22

Check Transmission Oil Level

1. Use two (2) people to perform this operation.
2. Start machine and drive it until transmission fluid has warmed to 80°C (176°F). Park machine on firm and level ground. Lower bucket or work tool to ground.
3. Place transmission lever in "NEUTRAL". Engage parking brake. Stop engine.
4. Block tires. Once tires are blocked, start engine and have a person remain in the cabin.
5. With engine running, have second person, find transmission oil level sight gauge (1, Figure 24) on transmission fill tube (2).
6. Oil level must be at "HOT" mark or above as shown in (Figure 25).

NOTE: If oil level is above top end of sight gauge (completely filling it), drain oil until level is at "HOT" mark.

NOTE: If transmission cannot reach an operating temperature of 80°C (176°F), then the oil level must be visible in the sight gauge below the "HOT" mark. Periodically check oil level during the workday to ensure that oil level does not rise above top end of sight gauge.

7. To add oil, remove transmission fill cap (Figure 23) from transmission oil fill pipe. Refer to "Table of Recommended Lubricants" on page 4-24, of this manual for recommended oil for the operating conditions.
8. Stop engine when done.

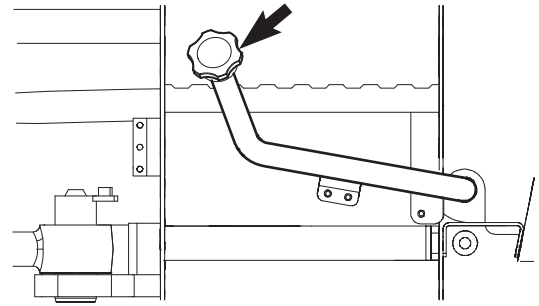


Figure 23

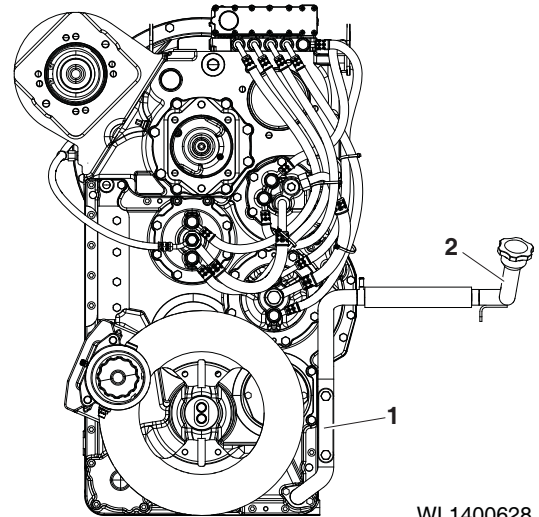


Figure 24

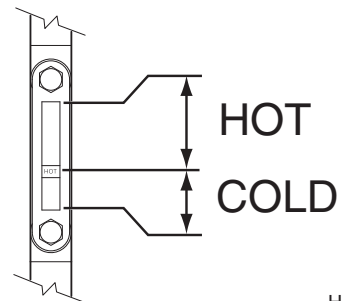


Figure 25 Transmission Sight Gauge

Check Hydraulic System Oil Level



AVOID DEATH OR SERIOUS INJURY

The hydraulic oil will be hot after machine operation. Allow system to cool before attempting to service any of the hydraulic components.

The hydraulic tank is pressurized. Press button in center of breather to allow the pressurized air to vent. After the pressure has been released, remove either the fill cap or service covers.

1. Position machine on firm and level ground.
2. "ENGAGE" parking brake.
3. Lower bucket or work tool to ground.
4. Move transmission lever to "NEUTRAL" position.
5. Make sure transmission neutral lock is in the "N" (NEUTRAL LOCK) position.
6. Stop engine.
7. Block tires.
8. Check sight gauge that is attached to hydraulic tank. Oil level must be visible in red centered circle shown on sight gauge (Figure 27).
9. To add hydraulic oil, tip breather cap (1, Figure 27) slowly to allow the pressurized air to vent.
10. Remove upper cover (2, Figure 27) from hydraulic oil tank and add oil to level mark on sight gauge (Figure 27).

IMPORTANT

Do not fill above red centered circle on sight gauge. Overfilling can result in damage to equipment and oil leaking from hydraulic tank because of expansion.

The hydraulic oil fill cover also serves as the hydraulic oil strainer access cover. It is important to replace this cover and the components in the proper order and alignment.

The filter (2, Figure 28), retaining rod (3) and spring (4) are assembled as shown in Figure 28. The hole (1) in the base of the filter fits over a circular base in the bottom of the tank. The retaining rod (3) screws into the top of the filter (2), but the spring (4) slides over the top of the rod. Be certain that this spring does not fall into the tank during reassembly.

1. If filter assembly was removed, insert assembly into the tank and make sure it is securely in place.



Figure 26

HAOA060L

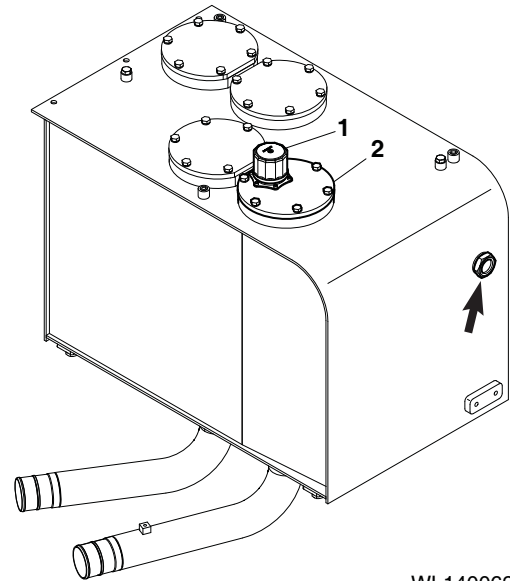


Figure 27

WL1400629

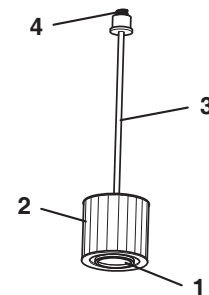
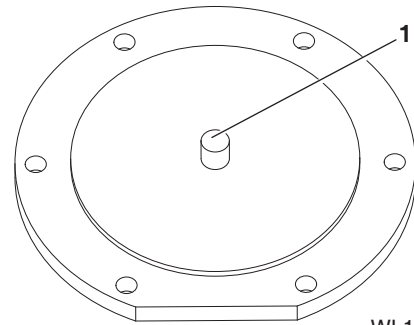


Figure 28

FG002188

2. Check O-ring for damage and replace if necessary. Check position of O-ring at surface of hole.
3. Place the cover on the access hole. Make sure the spring retaining cup (1, Figure 29) in the lower section of the cover is lined up with the spring. The filter assembly rod must be in a vertical position and perpendicular to the base of the tank. The cover can be rotated to align the rod into a vertical position.
4. Tighten mounting bolts to 4.84 kg•m (35 ft lb).



WL1300187

Figure 29

Check for Leaks in Hydraulic System

1. Perform a daily walk-around inspection to make sure that hoses, piping, fittings, cylinders and hydraulic motors are not showing any signs of leakage. If any is noted, determine the source of the leak and repair.

Fill Fuel Tank



WARNING

AVOID DEATH OR SERIOUS INJURY

Use proper safety while refueling to prevent explosions or fire.

Immediately clean up any spilled fuel.

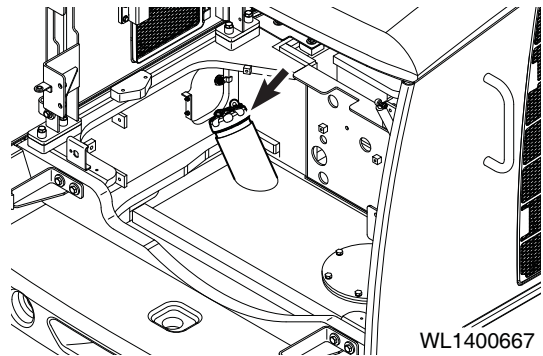
1. At the end of each workday, fill fuel tank. Add fuel through fuel fill cap (Figure 30).

NOTE: Only use Ultra Low Sulfur Diesel (ULSD) fuel and API CI-4/ACEA E5, E7 or API CJ-4/ACEA E9 grade engine oil.

NOTE: See "Fluid Capacities" on page 4-29 for capacity.

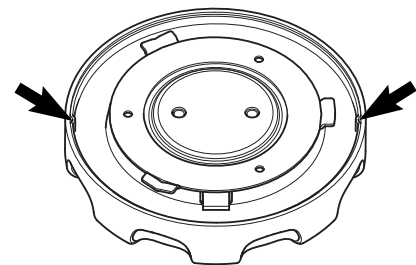
2. Securely tighten cap after fueling.

NOTE: If breather holes in cap are clogged, a vacuum may form in the tank preventing proper fuel flow to engine. Keep holes in fuel cap clean.



WL1400667

Figure 30



FG001690

Figure 31

Check Coolant Level

NOTE: Do not mix ethylene glycol and propylene glycol antifreeze together.



WARNING

AVOID DEATH OR SERIOUS INJURY

Allow the engine to cool before opening the radiator cap.

Loosen the cap slowly to release any remaining pressure.

1. Check sight gauge (1, Figure 35) that is attached to the radiator. Coolant level must be visible in red centered circle shown on gauge.
2. To add coolant, remove fill cap (2, Figure 35) of the radiator and add genuine part of 50% concentration coolant to proper level by checking sight gauge (1, Figure 35).

NOTE: If temperature is below freezing, see "Antifreeze Concentration Tables" on page 4-100 for antifreeze protection. Use the table to calculate a proper mixture of antifreeze and water to provide level of protection necessary for expected temperature.

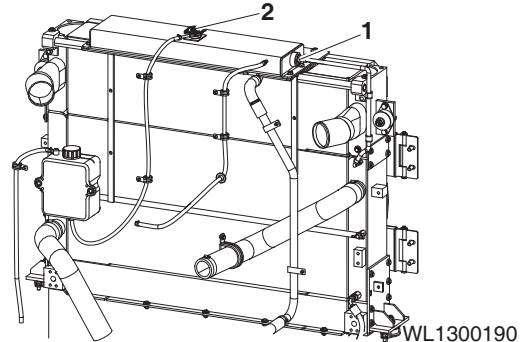


Figure 35

Check Level of Windshield Washer Liquid

1. Check fluid level in windshield washer tank, below the platform.
2. Open fill cap and add fluid.

NOTE: Use a washer liquid that is rated for all seasons. This will prevent freezing during cold weather operation.

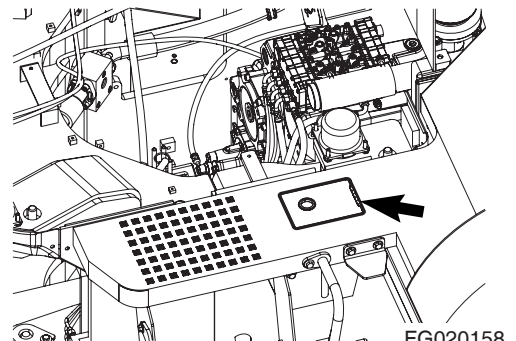
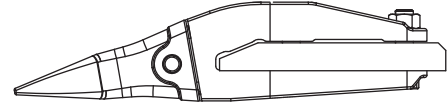


Figure 36

Inspect Bucket Teeth and Side Cutters for Signs of Wear

1. Daily, inspect bucket teeth to make sure that tooth wear or breakage has not developed.
2. Do not allow replaceable bucket teeth to wear down to the point that bucket adapter is exposed. (Figure 37)

NOTE: *These instructions are only for DOOSAN OEM buckets. If you are using other manufacturers' buckets, refer to their specific instructions.*



FG001694

Figure 37

Inspect Cooling Fan Blade

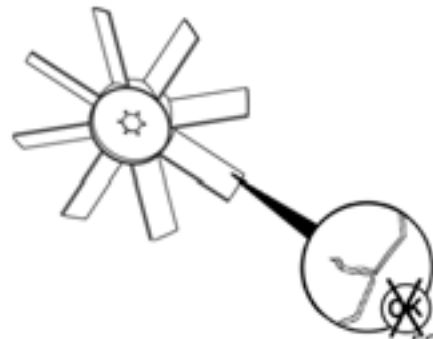


AVOID DEATH OR SERIOUS INJURY

To prevent fan blade failure, never pull or pry on the fan. This can damage the fan blade(s) and cause fan failure.

1. An inspection of the cooling fan is required daily. Check for cracks, loose rivets, bent or loose blades, and for contact between the blade tips and the fan shroud. Check the fan to make sure it is securely mounted. Tighten the bolts if necessary. Replace any fan that is damaged.

NOTE: *Stop engine before checking the blades to prevent any injury by fan rotation.*

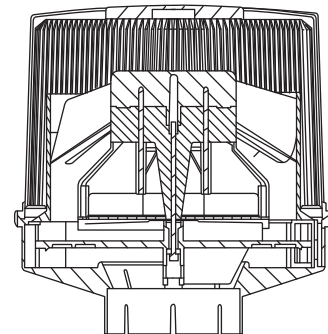


FG006206

Figure 38

Check Engine Air Intake Precleaner

1. The engine is equipped with a precleaner. Dust, insects, rainwater etc., can be present in the air. The precleaner collects this material and discharges it. This prevents material from being drawn into the air cleaner.
2. At the end of workday, clean turbo precleaner with air to remove dust, insects, rain water etc.



FG014041

Figure 39

Check Air Intake System



AVOID DEATH OR SERIOUS INJURY

Hot engine components can cause burns.

Avoid contact with hot engine components.

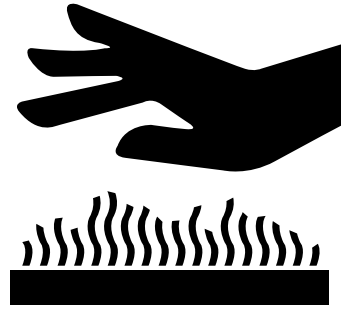
1. Position machine on firm and level ground.
2. "ENGAGE" parking brake.
3. Lower bucket or work tool to ground.
4. Move transmission lever to "NEUTRAL" position.
5. Make sure transmission neutral lock is in the "N" (NEUTRAL LOCK) position.
6. Stop engine.
7. Block tires.
8. Check the engine intake hose and hose clamps for damage and tightness.

NOTE: *If damaged, wrinkled or loose, replace and tighten or contact your DOOSAN distributor.*

IMPORTANT

Severe engine damage will result from running machine with unfiltered air.

Do not operate engine if any leaks or defects are found on air intake system.



HAOA050L

Figure 40

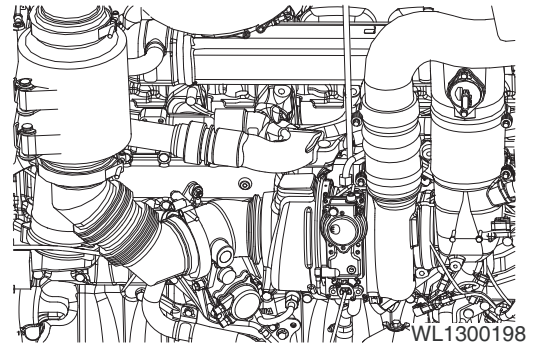


Figure 41

Inspect Seat Belt for Proper Operation

Inspect Mirrors for Damage and Adjust and Clean as Required

Inspect Structure for Cracks and Faulty Welds

1. During the daily walk-around inspection and when greasing the machine, look for any visible damage to the machine. Repair or replace any damaged parts before operating machine.

Check Operation of All Switches

1. Verify working condition of all switches before starting engine.

Check Operation of All Exterior Lights, Horn and Control Console Indicator and Monitor Lights

1. Turn engine starter switch to "I" (ON) position and observe all indicator lights.
2. Restore operation of any light bulbs that do not turn "ON".
3. Sound the horn. Repair or replace if required.
4. Turn "ON" and inspect all exterior work lights. Replace any non-functional monitor lights, burned-out bulbs or cracked or broken housings or lenses.

Start Engine, Check Starting Ability, and Observe Exhaust Color at Start-up and at Normal Operating Temperature. Listen for Any Abnormal Sounds.

Check That Back up Alarm and Rear Camera (If equipped) is Working Properly.

Inspect All Tires for Correct Tire Pressure and Signs of Damage or Abnormal Wear

1. Inflate tires to proper operating pressure for working conditions. See "Tires" on page 4-112.

Check Operation of All Controls and Linkages

IMPORTANT

Cold weather operation requires that operator fully warm up the hydraulic oil before beginning machine operation. Follow all warm up instructions listed in the Operating Instruction section of this manual. Make sure to cycle oil through all the components, including all cylinders and pumps. Cold hydraulic oil in the lines and components needs to be warmed before beginning full operation. If this is not done, damage to the cylinders or hydraulic pumps can occur.

1. With engine at rated speed, operate all the controls.
2. Follow cold weather hydraulic system warm-up procedures.
3. Note any slow operations or unusual movements. Determine the cause and repair all problems before operating.

50 HOUR / WEEKLY SERVICE

Perform All Daily Service Checks

Grease Front Attachment Pins

1. The following fittings must be greased daily, or every 10 hours, for first 100 hours of operation to comply with new machine break-in requirements. After that, greasing must be done every 50 hours. If bucket is being used in water, grease fittings immediately after machine is removed from water.

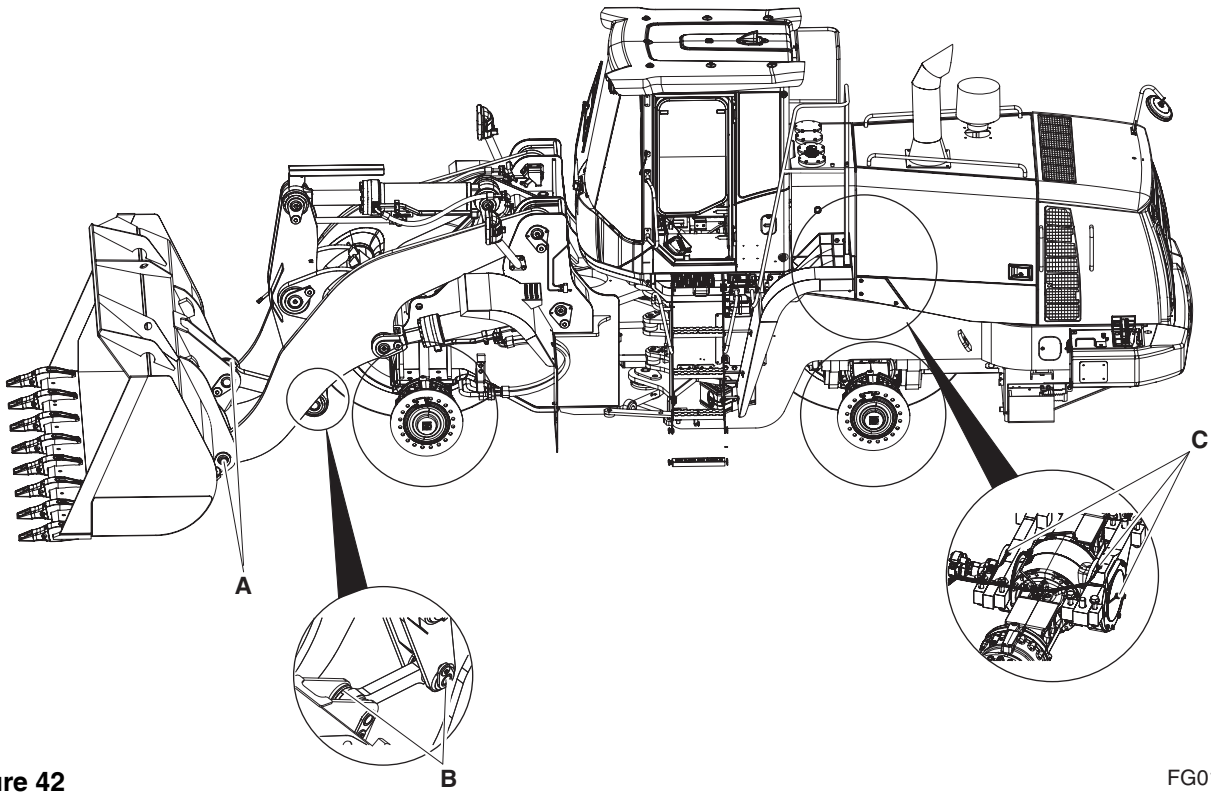


Figure 42

FG018927

- A. Bucket hinge pins, 2 locations (Figure 43).

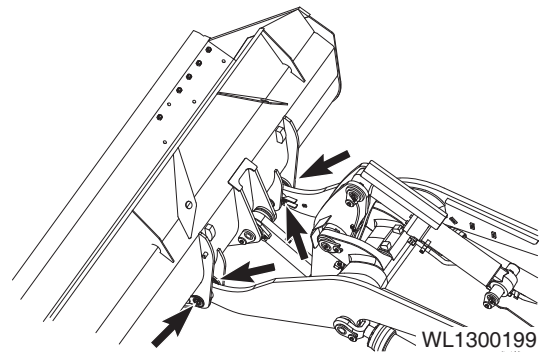


Figure 43

WL1300199

- B. Bucket link connecting pin, 1 location (Figure 44).
- Lever-link connecting pin, 1 location. (Figure 44).

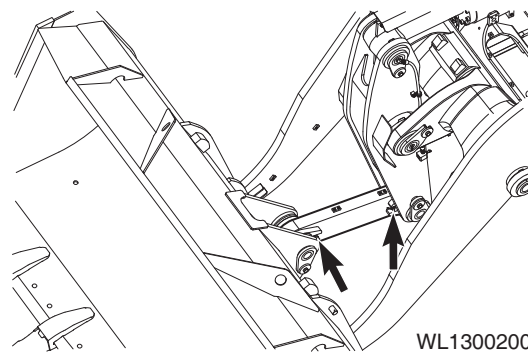


Figure 44

- C. Grease rear axle pivot (1, Figure 45), 3 locations on left side of machine. Use remote grease fittings mounted on frame shown in Figure 46.

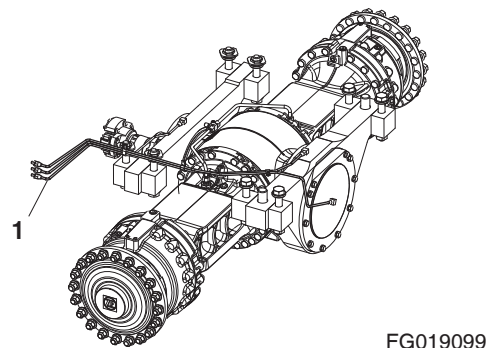


Figure 45

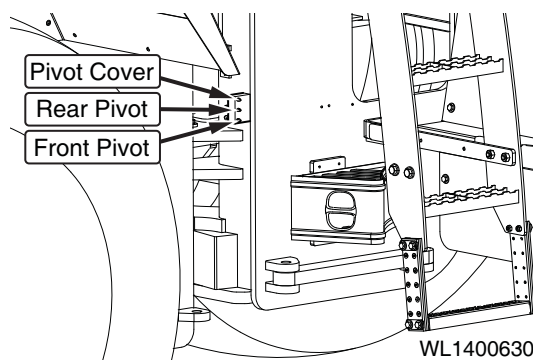


Figure 46

Grease Steering Cylinder Rod and Head Ends

- 1. Steering cylinder rods, 2 locations, one on each side of machine.

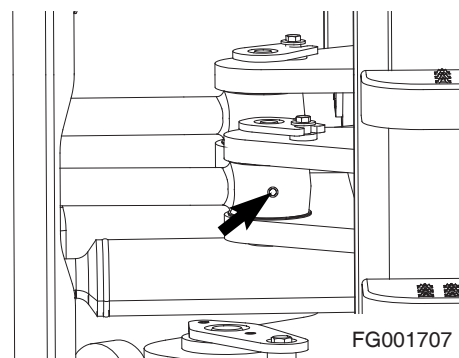
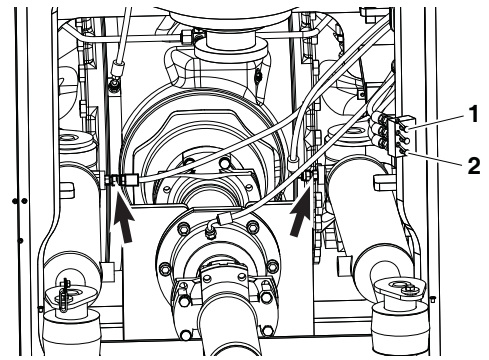


Figure 47

- Steering cylinder head ends, 2 locations. Use remote grease fittings mounted on front frame. (1 and 2, Figure 48).

| Reference Number | Remote Grease Fittings |
|------------------|-------------------------------------|
| 1 | Steering Cylinder (Right) Head Ends |
| 2 | Steering Cylinder (Left) Head Ends |

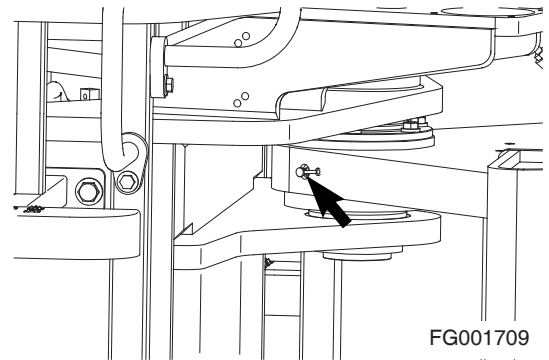


WL1400687

Figure 48

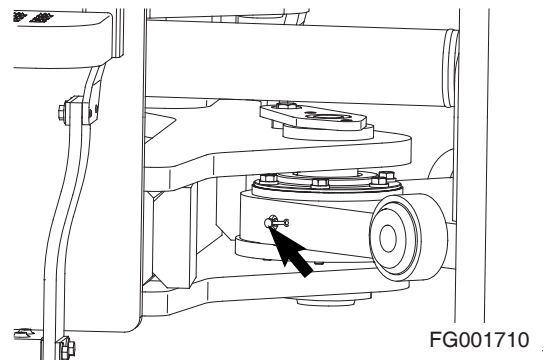
Grease Upper and Lower Center Pins

- Center pins, upper (Figure 49) and lower (Figure 50). Two locations on right side of machine.



FG001709

Figure 49



FG001710

Figure 50

Change Engine Oil and Filter (After First 50 Hours)

1. Change engine oil and filter after first 50 hours of operation or rebuild, and then every 500 hours thereafter. For details, See “Change Engine Oil” on page 4-65 and See “Change Engine Oil Filter” on page 4-66.

Change Hydraulic Full Flow Filter (After First 50 Hours)

1. Replace hydraulic full flow filter after first 50 hours of operation or rebuild and every 1,000 hours thereafter. Follow procedure under 1,000 hour maintenance interval For details, See page 4-83.

Check Air Conditioner and Alternator Belt Tension (After First 50 Hours)

1. Air conditioner and alternator belt tension must be checked after first 50 hours of operation to comply with new machine break-in requirements. After first check, air conditioner and alternator belt must be checked every 250 hours. Follow procedure printed under 250 hour maintenance interval “Check Air Conditioner Belt Tension” on page 4-58.

Clean Exterior of Radiator, Oil Cooler and Air Conditioner Condenser

1. Dust and dirt accumulation on fins of radiator (1, Figure 51), CAC cooler (4), oil cooler (2), and transmission cooler (3) greatly reduce their cooling efficiency. Use compressed air, water and steam to clean fins on radiator, oil cooler, and transmission cooler.

NOTE: *On an especially dusty work site, clean fins every 50 hours. On other work sites, clean fins every 500 hours.*

NOTE: *You can swing the fan guard out for easier cleaning of the fan blades and radiator.*

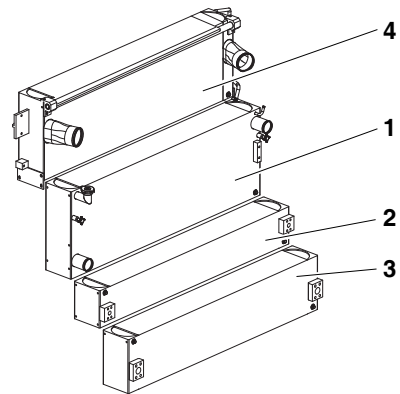


Figure 51

FG021974



WARNING

AVOID DEATH OR SERIOUS INJURY

Before cleaning, stop cooling fan by stopping engine to prevent death or serious injury from fan rotation.

Clean Air Conditioner Outer Filter

This unit is equipped with an air-conditioning system. There are two filters (1 and 2, Figure 52) for the air conditioner. They filter out dirt and dust particles from air being circulated into operator's cabin. The two filters are located under the right side control panel.

1. Open filter cover on the right side of rear cover, to gain access to filter.
2. Remove outer filter (1, Figure 52) and inspect it for damage.
3. Use compressed air to clean filter. If element is very dirty, use a mild soap and water solution to clean it.

NOTE: *Clean air-conditioning outer filter every 50 hours and replace it with a new one every 500 hours of service.*

NOTE: *If water was used to clean filter, be sure the filter is completely dry before installation.*

NOTE: *If the machine is being operated in a dusty environment, the cleaning and replacement must be performed more frequently. If filter is damaged, replace it with a new one.*

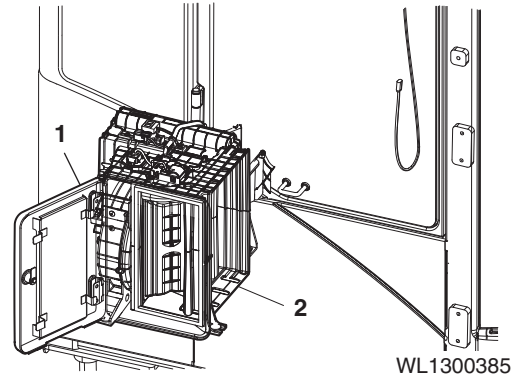
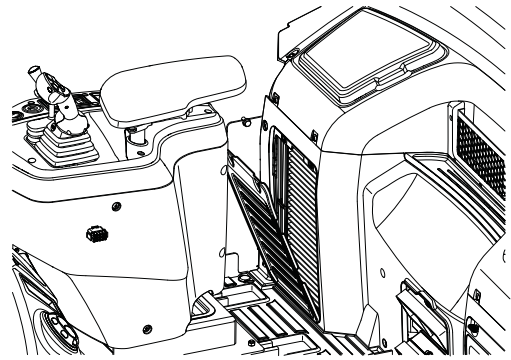


Figure 52



WARNING

AVOID DEATH OR SERIOUS INJURY

All service and inspection of the air-conditioning system must be performed with the starter switch in the "O" (OFF) position.

250 HOUR / MONTHLY SERVICE

Perform All Daily and 50 Hour Service Checks

Braking - Test



WARNING

AVOID DEATH OR SERIOUS INJURY

- Fasten your seat belt when testing the brake system.
 - Park the machine on firm and level ground.
 - Check the area around the machine to ensure it is clear of all personnel and bystanders.
 - Make sure that articulated frame lock is in the unlocked position.
-

The following tests are used to determine whether the braking system is functional. These tests are not intended to measure the maximum brake holding effort. The required brake holding effort for sustaining a machine at a specific engine rpm varies from one machine to another. The variations include differences in the engine setting, the power train, etc.

Service Brake Test

Refer to the Operation & Maintenance Manual, "Operating Controls" section for more information.

1. Start the engine. Raise the work equipment so it is about 400 mm above the ground.
2. Move the machine to a flat and level area.
3. Apply the service brake. (Figure 53)

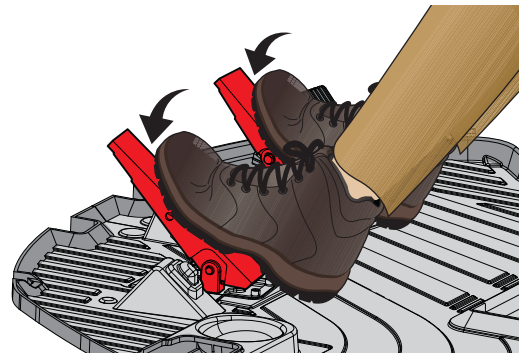


Figure 53

WL1400677

- Release the parking brake. (Figure 54)

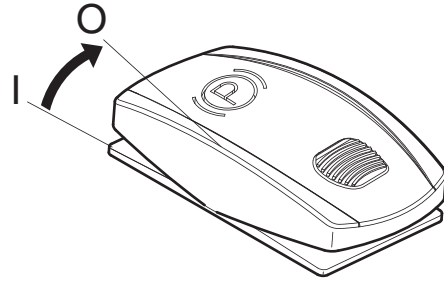


Figure 54

WL1400680

- Make sure the transmission cutoff switch center LED light is "OFF". (Figure 55)

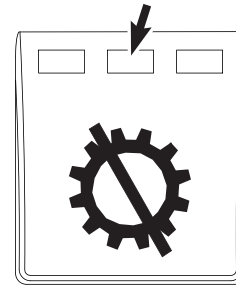


Figure 55

WL1400682

- Put the transmission lever in 3rd gear forward while the service brakes are applied. (Figure 56)

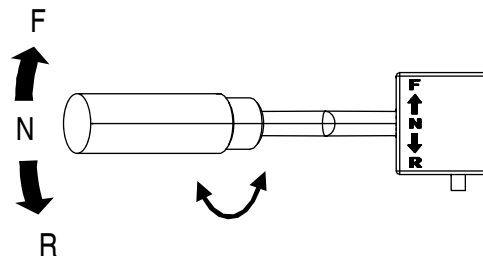


Figure 56

FG019004

- With the service brake still applied, gradually increase the engine speed to high idle. **The machine should not move.** (Figure 57)



WARNING

AVOID DEATH OR SERIOUS INJURY

If the machine begins to move during the test, reduce the engine speed immediately and engage the parking brake.

- Reduce the engine speed to low idle. Move the transmission lever to the neutral position. Engage the parking brake. Lower the work equipment to the ground.

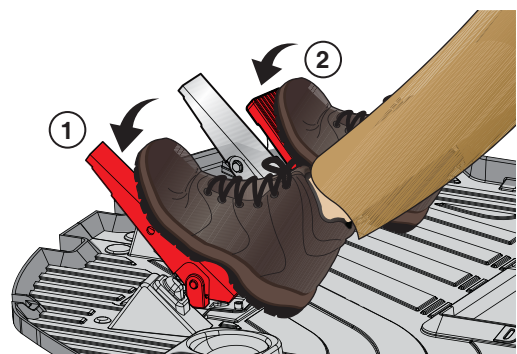


Figure 57

WL1400678

1. Brake Pedal
2. Accelerator Pedal

9. Stop engine. Remove key.

If the machine moved during the test, contact your dealer for a brake inspection. Make any necessary repairs before the machine is returned to operation.

Parking Brake Test

Refer to the Operation & Maintenance Manual, "Operating Controls" section for more information.

1. Start the engine.
2. Attach the heaviest approved attachment. If using a bucket, fill the bucket with material. **DO NOT** exceed the rated operating load of the wheel loader.
3. Move the machine to an area with a dry, hard surface with a slope equivalent to the maximum authorized slope on the work site where the machine will be operated.



WARNING

AVOID DEATH OR SERIOUS INJURY

- Keep the heavy end of the machine uphill.
 - Do not travel on slopes greater than 30 degrees.
 - Do not exceed Rated Operating Capacity (ROC).
 - Check for adequate traction.
-
4. Drive the wheel loader up the incline with the heavy end of the machine facing uphill. (Figure 58)

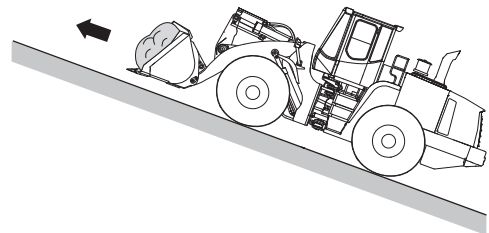


Figure 58

WL1400681

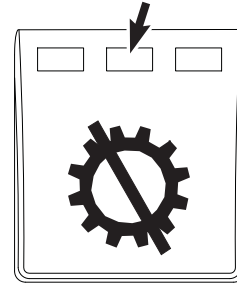
5. Apply the service brake. (Figure 59)



Figure 59

WL1400677

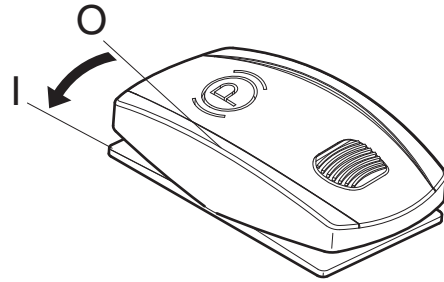
6. Make sure the transmission cutoff switch center LED light is "OFF". (Figure 60)



WL1400682

Figure 60

7. Engage the parking brake. The parking brake indicator light must be illuminated on the dash. (Figure 61)



WL1300285

Figure 61

8. Release the service brake. **The machine should not move.** (Figure 62)



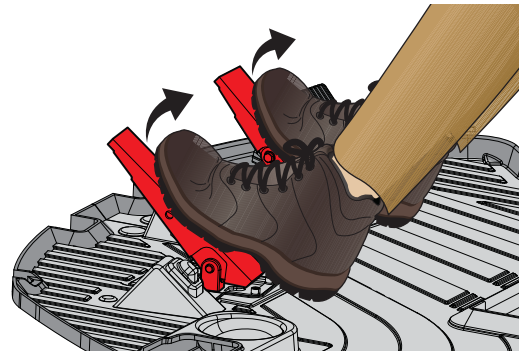
WARNING

AVOID DEATH OR SERIOUS INJURY

If the machine begins to move, immediately reapply the service brake.

9. Apply the service brake and release the parking brake. Move the machine to a flat area.
10. Reduce the engine speed to low idle. Move the transmission lever to the neutral position. Engage the parking brake. Lower the work equipment to the ground.
11. Stop engine. Remove key.

If the machine moved during the test, contact your dealer for a brake inspection. Make any necessary repairs before the machine is returned to operation.



WL1400679

Figure 62

Drain Water From Hydraulic Oil Tank



WARNING

AVOID DEATH OR SERIOUS INJURY

To prevent burn injuries from hot oil splashing, allow hydraulic oil to cool before draining water and sediment.

The hydraulic tank is pressurized. Unscrew the cap of breather on the top of hydraulic tank to allow pressurized air to vent. After pressure has been released, remove either the fill cap or service covers.

1. Position machine on firm and level ground.
2. ENGAGE" parking brake.
3. Lower bucket or work tool to ground.
4. Move transmission lever to "NEUTRAL" position.
5. Make sure transmission neutral lock is in the "N" (NEUTRAL LOCK) position.
6. Stop engine.
7. Block tires.
8. Position a container under hydraulic tank drain plug. Open hydraulic oil tank cover. Loosen drain valve from bottom of tank (Figure 63). Allow all water and sediment to drain out. Tighten drain valve.

NOTE: *Dispose of drained fluids according to applicable environmental laws and regulations.*

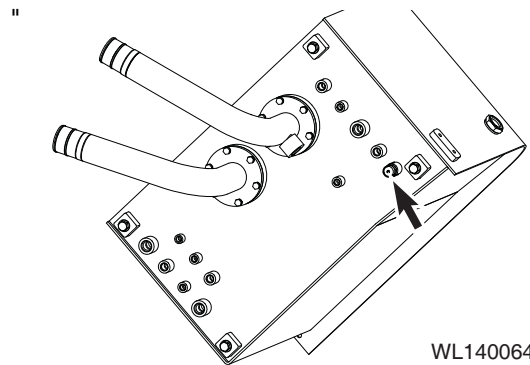


Figure 63

WL1400648

Grease Front Attachment Pins

1. The following fittings must be greased daily, or every 10 hours, for first 100 hours of operation to comply with new machine break-in requirements. After that, greasing must be done every 250 hours. If bucket is being used in water, grease fittings immediately after machine is removed from water.

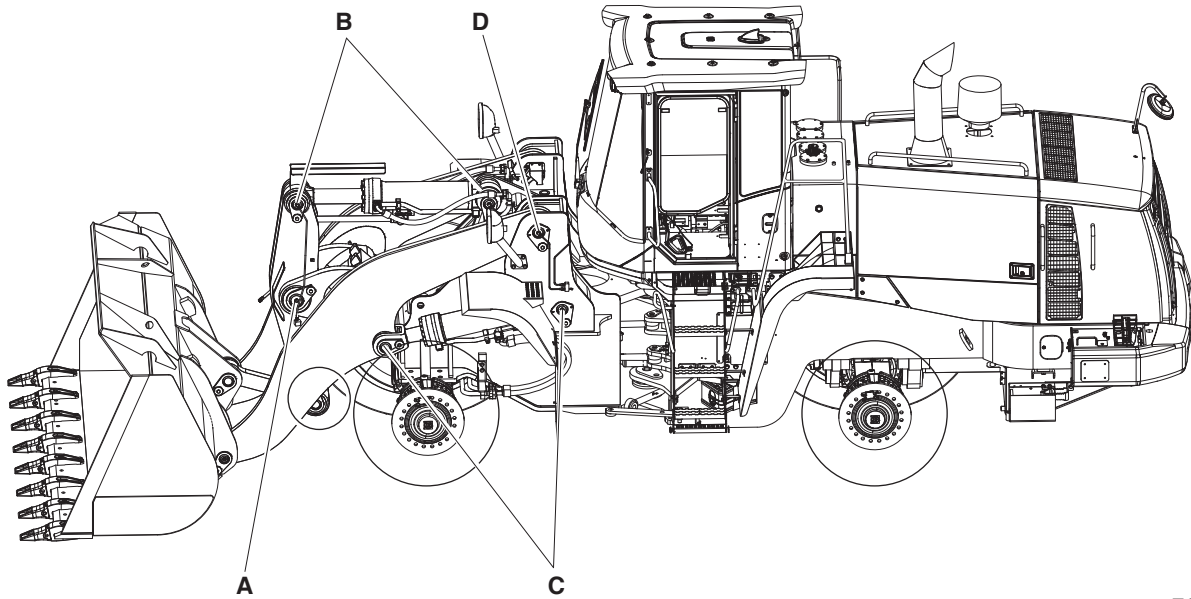


Figure 64

FG027696

- A. Arm-Lever connecting pin, 1 location (Figure 65).

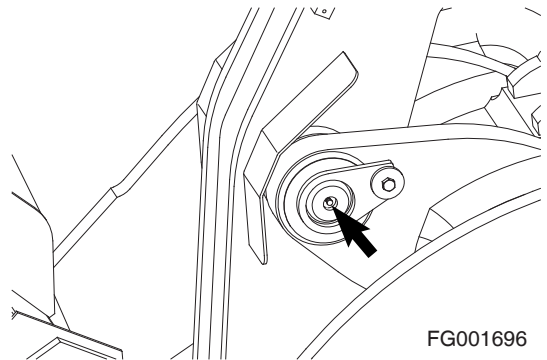


Figure 65

FG001696

- B. a) Bucket cylinder rod end, 1 location (Figure 66).

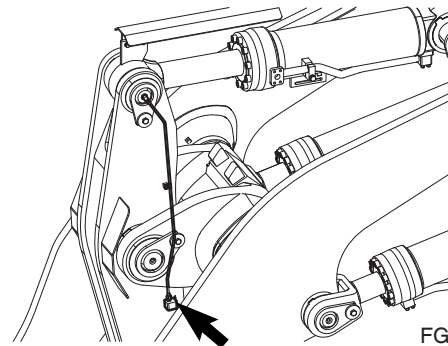


Figure 66

FG024552

- b) Bucket cylinder head, 1 point greased from remote grease point (Figure 67).

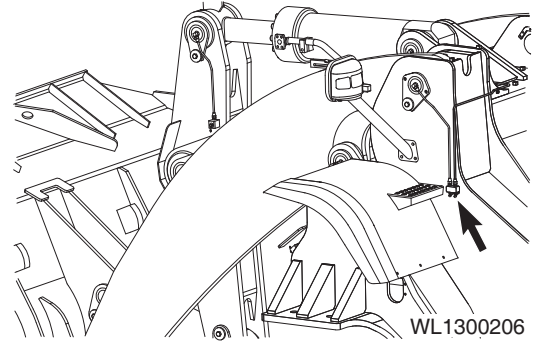


Figure 67

- C. a) Lift cylinder rod ends, 2 locations (Figure 68).

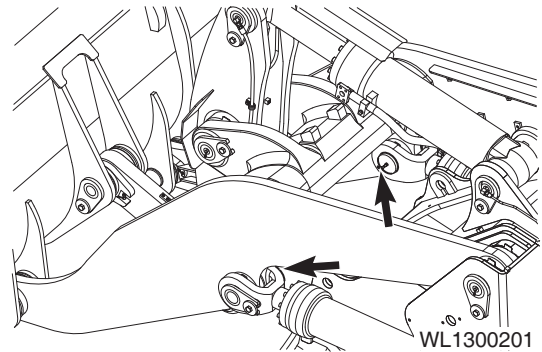


Figure 68

- b) Lift cylinder heads (left, right), 2 locations (Figure 69).

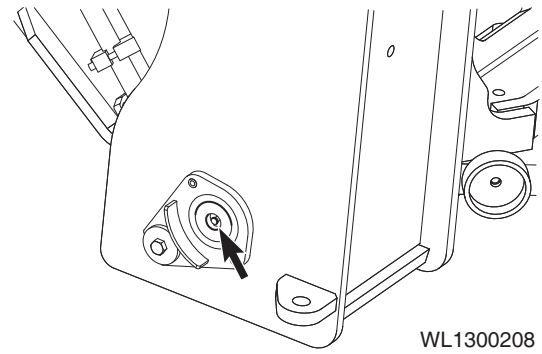


Figure 69

- D. Loader arm foot ends, 2 locations on each side of machine. Greased from two remote grease points (Figure 70).

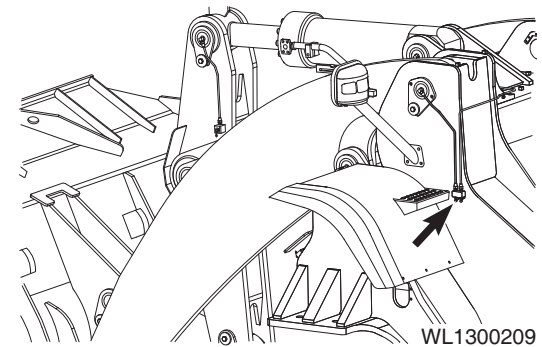


Figure 70

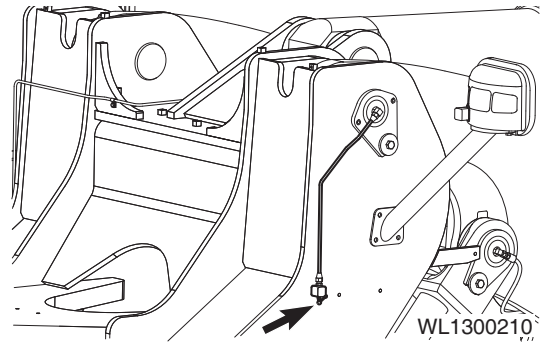


Figure 71

Check Air Conditioner Belt Tension

NOTE: Air conditioner belt tension must be checked after first 50 hours of operation to comply with new machine break-in requirements. After first tension check, air conditioner belt must be checked every 250 hours.

1. Apply 10 kg (22 lb) of force to midpoint of belt (Figure 72). The belt should deflect 10 mm (0.4 in). If belt deflects more than this, loosen control link to tighten belt tension until deflection is 10 mm (0.4 in). Inspect belt for damage. If belt is damaged, replace it.

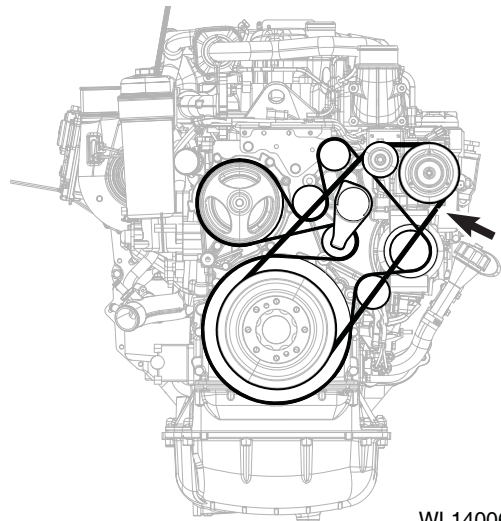


Figure 72

Grease Driveshafts

Grease fitting for center bearing, 1 location. Use remote grease fitting mounted on frame (3, Figure 73).

| Reference | Remote Grease Fittings |
|-----------|---------------------------|
| * | Driveshaft Center Bearing |

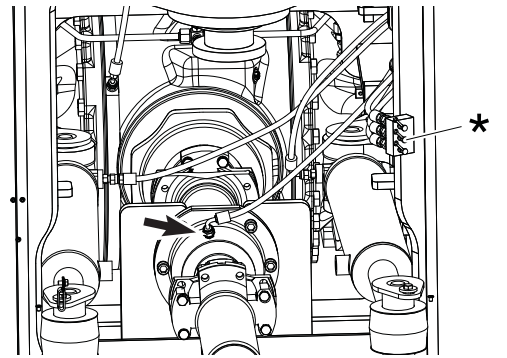


Figure 73

Change Transmission Oil and Filter (After First 250 Hours)

NOTE: *Transmission oil and filter must be changed after first 250 hours of operation to comply with new machine break-in requirements.*

NOTE: *After first change, oil and filter must be changed every 1,000 hours. See page 4-78.*

NOTE: *The transmission must be recalibrated after every oil change. This is to ensure that clutch packs are engaging properly.*

Fuel Water Trap

Locate fuel filter inside engine compartment.

Position a small container under fuel filter. Drain filter by opening drain valve on bottom of filter.

NOTE: *Dispose of drained fluids according to applicable environmental laws and regulations.*

Drain water trap every 250 hours.

Draining water from the fuel trap must be done by hand.

A nonreturn valve in the filter head prevents the fuel from running back to the tank.

Proceed as follows:

1. Locate fuel filter inside engine compartment.

2. Position a small container under fuel filter.

NOTE: *Dispose of drained fluids according to applicable environmental laws and regulations.*

3. Loosen drain valve (B, Figure 74).

4. Drain water from water trap (A, Figure 74).

5. Tighten draining nipple.

NOTE: *Always dispose of waste oil and liquid in compliance with all applicable environmental laws and regulations.*

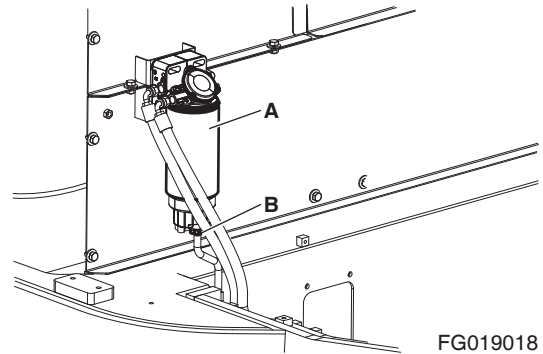


Figure 74

FG019018

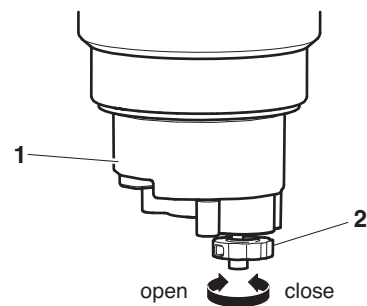


Figure 75

FG000438

Auto Grease System (If Equipped)

1. Grease in the reservoir of the central lubrication pump is consumed in approximately one or two months.

2. Check and fill the reservoir of the central lubrication pump if necessary.

Clean Oil Bath Precleaner (Optional)

The lower parts of the body assembly must be inspected each time the air cleaner is serviced. If there is any sign of buildup or plugging, the body assembly must be removed and cleaned.

At least once a year, remove body assembly and perform the following service steps:

1. Remove oil cups (3 and 4, Figure 76) and removable filter (2).
2. Clean the inner oil cup (3, Figure 76) and outer oil cup (4).
3. Reassemble inner cup in outer cup and refill both cups to indicated oil level (9.5 liters). The same oil specified for the engine crankcase is generally acceptable.

| Reference Number | Description |
|------------------|--------------------|
| 1 | Precleaner Housing |
| 2 | Screen Filter |
| 3 | Inner Oil Cup |
| 4 | Outer Oil Cup |

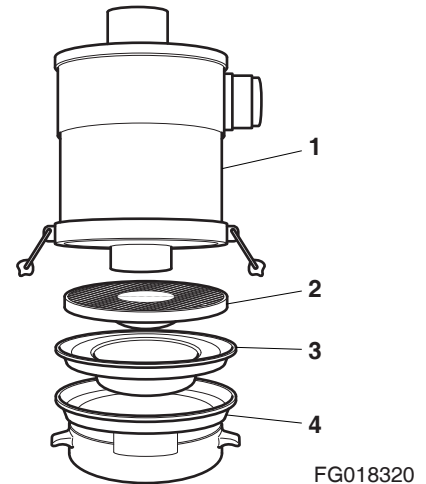


Figure 76

4. Inspect filter with a light. Hold it up to a bright light. An even, bright pattern of light should show through the wire element, meaning it is clean.

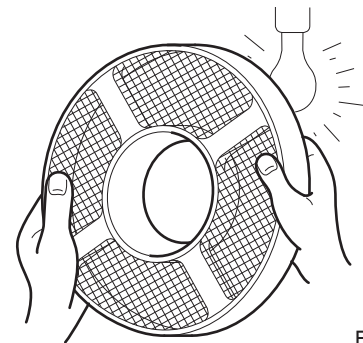


Figure 77

5. Wash filter if needed.
 - If element is plugged with dirt, lint or chaff (even partially), wash it thoroughly with solvent.

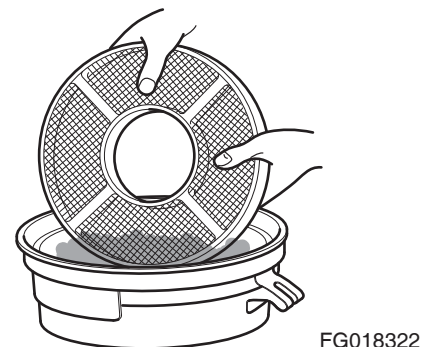
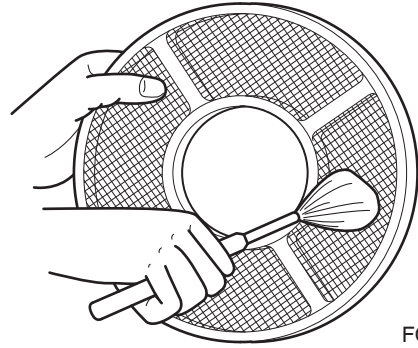


Figure 78

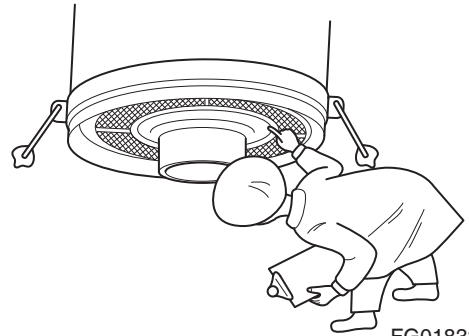
6. Dry thoroughly with compressed air.



FG018323

Figure 79

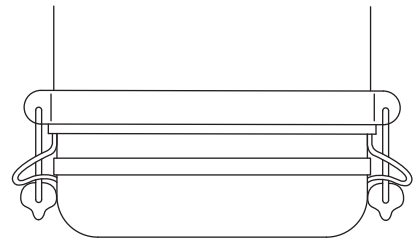
7. Inspect the lower parts of body assembly and center tube for damage. Replace broken, cracked, or missing parts.



FG018324

Figure 80

8. Reassemble the filter assembly with serviced oil cups.
9. Add oil.



FG018325

Figure 81

500 HOUR / 3 MONTH SERVICE

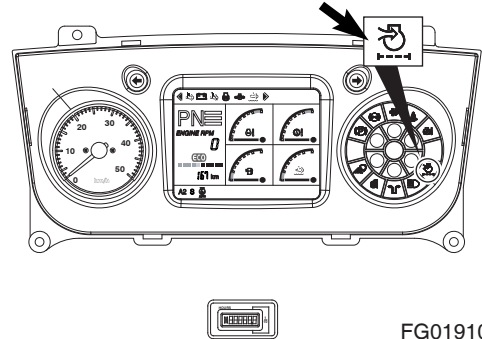
Perform All Daily, 50 and 250 Hour Service Checks

Clean Outer Air Cleaner Filter

NOTE: Clean primary element every 500 hours / 3 monthly service.

NOTE: If air cleaner clogged warning light (Figure 82) on instrument panel comes "ON", the air cleaner must be serviced.

NOTE: When working in severely dusty conditions, the service interval must be shortened.



FG019103

Figure 82

IMPORTANT

Never clean or attempt to remove air cleaner filter if the engine is running.

This will allow dirt to be sucked into engine and cause serious engine damage.

Always turn engine "OFF" before servicing air cleaner.

1. Locate the air cleaner assembly.

NOTE: When it reaches every 250 hours or If indicator light (Figure 82) on instrument panel comes "ON", the air cleaner must be serviced.

NOTE: Replace outer filter after cleaning 4 times or every 1,000 hours / 6 months service.

2. Remove and clean rubber evacuator valve (1, Figure 83) from bottom of air cleaner housing cover (2, Figure 83). Inspect seal lips for wear or damage. Replace valve if necessary.

NOTE: Install evacuator valve with lips parallel to the cover.

3. Remove access cover (2, Figure 83) by loosening the latches (3).
4. Remove outer filter (4, Figure 83) from the housing. Do not remove inner filter (5).

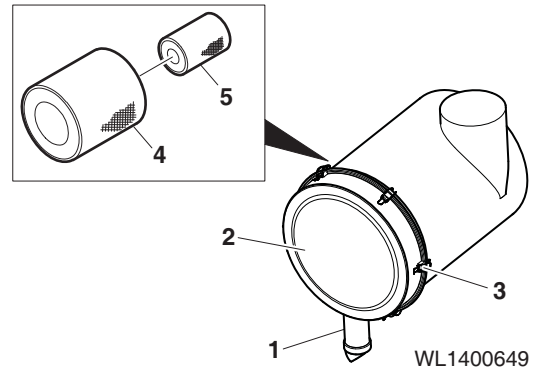


Figure 83

5. Clean the outer filter (4, Figure 83) by blowing compressed air from the inside of the filter towards the outside. Do not use more than 205 kPa (30 psi) air pressure.



WARNING

AVOID DEATH OR SERIOUS INJURY

If using compressed air to clean the filter, make sure that proper eye protection is worn.



Figure 84

6. Check outer filter by shining a light through it. If small holes or thinner parts are found on the filter after cleaning it, replace the filter.
7. Clean the inside of the air cleaner body and the inside of the air cleaner cover. Do not use compressed air.
8. Properly install the air filter and cover.
9. After filter service, be sure to install cover with arrows pointing "UP".

NOTE: *If after cleaning the outer filter, the air cleaner clogged indicator remains "ON", replace the outer and inner filters. Do not clean inner filter.*

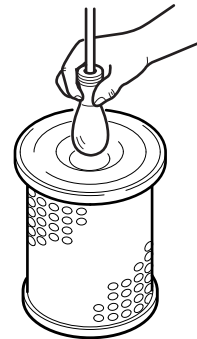


Figure 85

Change Hydraulic System Brake and Pilot Filter

Replace filter in pilot filter. Perform the following steps:

1. Vent hydraulic oil tank.
2. Unscrew element cover (4, Figure 87). Cover is filled with oil.
NOTE: *Dispose of drained fluids according to applicable environmental laws and regulations.*
3. Remove O-ring (2, Figure 87) and filter (3).
4. Use a nonflammable, nontoxic solvent to clean out cover (4, Figure 87).
5. Insert a new filter (3, Figure 87) into cover (4). Install a new O-ring (2).
6. Screw cover (4, Figure 87) onto filter head (1).

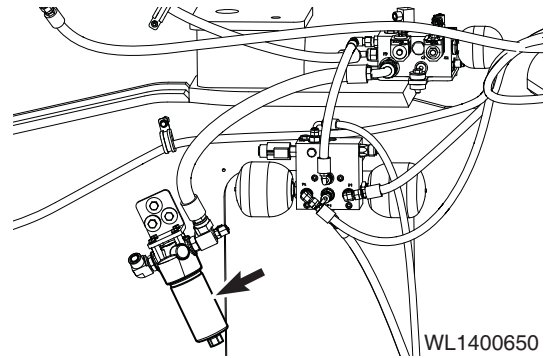


Figure 86

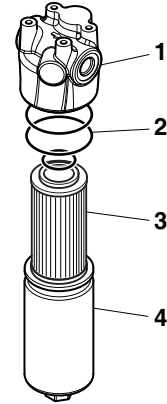


Figure 87

Change Engine Oil

NOTE: *Change oil filter and clean the centrifugal oil cleaner when changing oil.*



WARNING

AVOID DEATH OR SERIOUS INJURY

Hot oil can cause burns and skin irritation. Wear protective gloves and goggles when changing oil.

Make sure there is no pressure in the lubrication system before starting work on it.

The oil fill cap must always be fitted when starting and operating to prevent oil from spraying.

Use a container to avoid spillage. Used oil must be disposed of in compliance with applicable environmental laws and regulations.

NOTE: *Change oil more often if the engine is subjected to particularly demanding operation, such as a dusty environment, or if deposits in the centrifugal oil cleaner are thicker than 20 mm.*

1. Unscrew the oil plug and drain the oil when the engine is hot.
In certain engines the oil is pumped out using a bilge pump.
2. Clean the magnet on the plug.
3. Install oil plug.
4. Fill with oil from 34 - 45 liters (9.0 - 11.9 U.S. gal.).
5. Check the level on the oil dipstick.

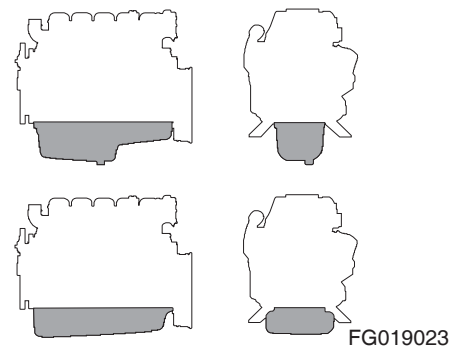


Figure 88

Change Engine Oil Filter

IMPORTANT

Only use a SCANIA oil filter.

IMPORTANT

Clean the centrifugal oil cleaner when replacing the oil filter. Otherwise, the oil filter will be blocked and resistance in the filter will increase. If this happens, an overflow valve in the filter holder opens and lets the oil pass without being filtered. This can result in damage to engine components.

1. Unscrew the filter cover with a closed tool with 36 mm socket.

IMPORTANT

Do not use an adjustable wrench or other open tool as there is risk of damaging the filter cover.

2. Lift out the filter housing cover with filter. The filter housing will drain automatically once the filter has been removed.
3. Remove old filter from the cover.
NOTE: *Remember that oil splashes. Be sure to wear gloves and protective goggles.*
4. Assemble new filter and tighten filter cover to 25 N.m.

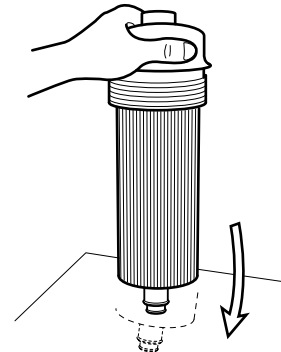


Figure 89

FG019024

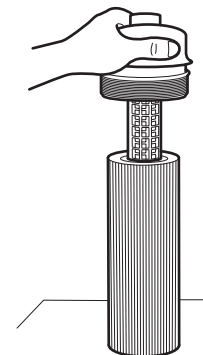


Figure 90

FG019025

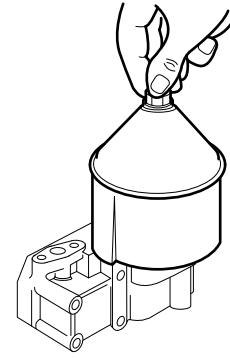
Clean Centrifugal Oil Cleaner

WARNING

AVOID DEATH OR SERIOUS INJURY

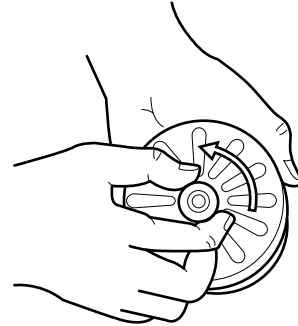
Carefully remove cover from the centrifugal oil cleaner to avoid burn injuries.

1. Clean the outside of the cover. Unscrew the nut and remove cover.
2. Lift out the rotor. Wipe off the outside of the rotor. Unscrew the rotor cover nut about one and a half turns.



FG019026

Figure 91



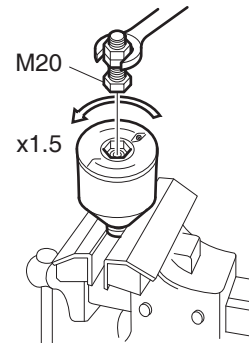
FG019027

Figure 92

3. If the rotor nut is jammed, turn the rotor upside down and fasten the nut in a vice. Turn the rotor approximately one and a half turns counterclockwise by hand or use an M20 bolt shown in Figure 93.

IMPORTANT

The rotor must not be put in a vice. This can cause rotor damage resulting in rotor imbalance.



FG019028

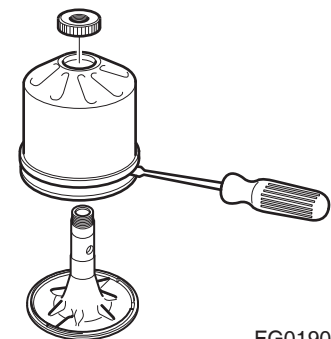
Figure 93

4. Hold the rotor and tap lightly on the rotor nut with a plastic mallet or against the workbench, so the rotor cover comes loose from the bottom plate.

IMPORTANT

Never strike on the rotor directly as this can damage the bearings.

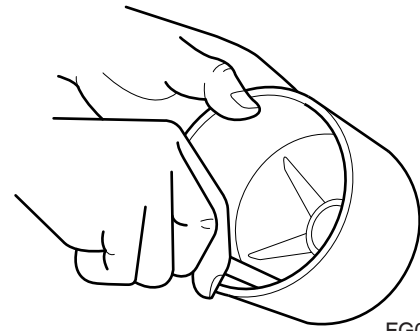
5. Remove strainer from the rotor cover. If the strainer is stuck, insert a screwdriver between the rotor cover and strainer and carefully pry them apart.



FG019029

Figure 94

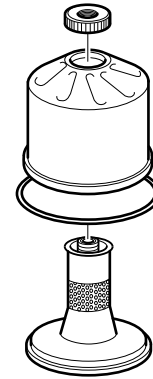
6. Scrape away the deposits inside the rotor cover with a knife. If there are no deposits, the centrifugal oil cleaner is not working. Clean more often if deposits are thicker than 28 mm (1.0 inches).
7. Wash the parts in diesel oil. Inspect the two nozzles on the rotor. Ensure that they are not blocked or damaged. Renew any damaged nozzles.
8. Check the bearings to ensure that they are not damaged.



FG019030

Figure 95

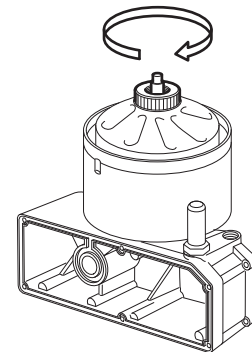
9. Fit a new O-ring by sliding it over the strainer.
10. Refit the rotor cover. Make sure that O-ring sits correctly on the inside.
11. Tighten the rotor nut by hand.
12. Check that shaft is not loose. Secure using locking compound Part No. 561 200 if it is loose. First, clean thoroughly using a suitable solvent. Then, tighten the rotor shaft using tool Part No. 99 520.



FG019031

Figure 96

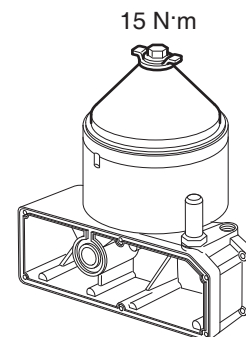
13. Refit the rotor and screw it by hand to make sure it rotates easily.



FG019032

Figure 97

14. Renew the O-ring on the centrifugal oil cleaner housing cover. Tighten the locknut.



FG019053

Figure 98

Clean Exterior of Radiator, Oil Cooler and Air Conditioner Condenser

1. Dust and dirt accumulation on fins of radiator, oil cooler, and transmission cooler, greatly reduce their cooling efficiency. Use compressed air, water and steam to clean fins on radiator, oil cooler, and transmission cooler.

NOTE: *On an especially dusty work site, clean fins every 50 hours. On other work sites, clean fins every 500 hours.*

NOTE: *You can swing the fan guard out for easier cleaning of the fan blades and radiator, for cleaning fan blades or radiator easily and efficiently.*

NOTE: *Before cleaning, stop the cooling fan by stopping engine to prevent injury from fan rotation.*

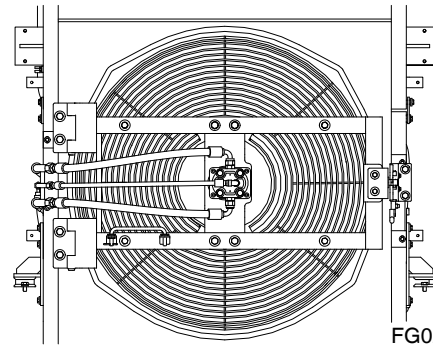


Figure 99

FG022476

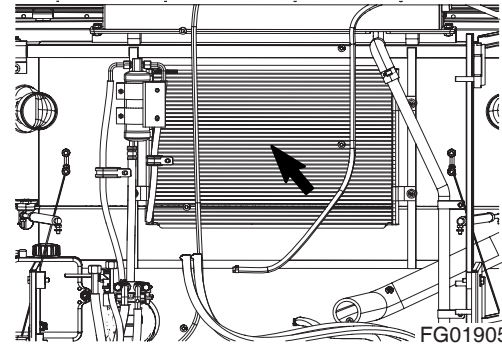


Figure 100

FG019054

Check and Adjust Valve Clearance

NOTE: *Checking and adjusting valve clearances must be done after first 500 hours of operation. Contact your DOOSAN distributor.*

Valve clearances must be adjusted when the engine is cold, or at least 30 minutes after running.



WARNING

AVOID DEATH OR SERIOUS INJURY

Secure the starting device when working on the engine. If the engine starts unexpectedly, there is a risk of death or serious injury.

| | |
|-------------------------|--------------------|
| Intake valve clearance | 0.45 mm (0.018 in) |
| Exhaust valve clearance | 0.70 mm (0.028 in) |

Readings can be taken from the flywheel through openings in the flywheel housing either from above or below depending on access when installing.

"TDC up" or "TDC down" is found on the flywheel. Both openings are installed with a blanking piece at delivery.

NOTE: *Openings for taking readings on the flywheel housing.*

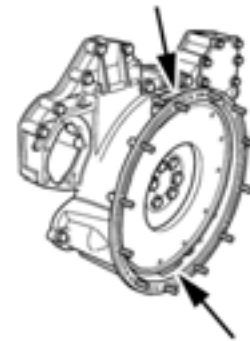


Figure 101

FG019072

Clean Air Conditioner Inner Filter

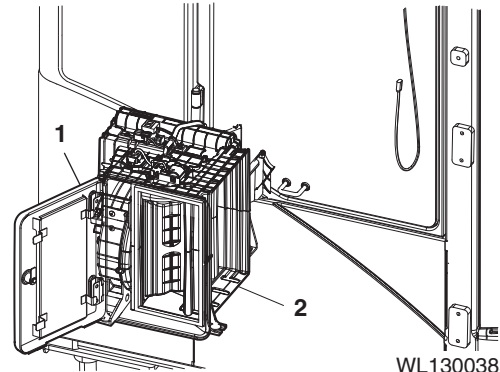
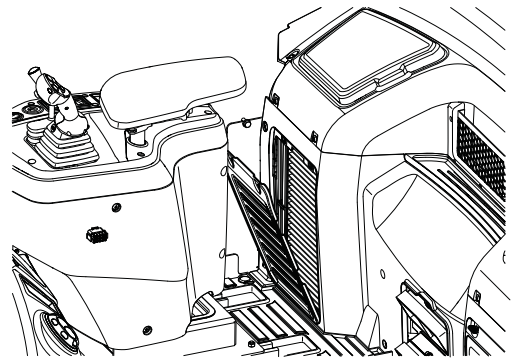
This unit is equipped with an air-conditioning system. There are two filters (1 and 2, Figure 102) for the air conditioner. Both filters keep out dirt and dust particles in the air being circulated into operator's cabin. The two filters are located under the right side control panel.

1. Open filter cover on the right side of rear cover, to gain access to filter.
2. Remove inner filter (2, Figure 102) and inspect it for damage.
3. Use compressed air to clean filter. If element is very dirty, use a mild soap and water solution to clean it.

NOTE: *Clean air-conditioning inner filter every 500 hours and replace with a new one every 1,000 hours of service.*

NOTE: *If water was used to clean filter be sure it is completely dry before installation.*

NOTE: *If the machine is being operated in a dusty environment, the cleaning and replacement must be performed more frequently. If filter is damaged, replace it with a new one.*



WL1300385

Figure 102



WARNING

AVOID DEATH OR SERIOUS INJURY

All service and inspection of the air-conditioning system must be performed with the starter switch in the "O" (OFF) position.

Change Axle Differential and Planetaries Oil (After First 500 Hours)

NOTE: *The differential and planetaries oil must be drained and refilled after first 500 hours of operation or rebuild, and every 1,500 hours thereafter. See page 4-89.*

Change Air Conditioner Outer Filter

NOTE: *Clean air-conditioning filter every 50 hours and replace with a new one every 500 hours of service. See "Clean Air Conditioner Outer Filter" on page 4-50.*

Check Hydraulic Oil Contamination

1. Operate the machine for a few minutes before obtaining the oil sample. Operate the hydraulic controls to mix the hydraulic oil thoroughly for a more accurate sample.
2. Use the sampling valve to obtain a sample of hydraulic oil to the sampling port shown in Figure 103.
3. Hydraulic oil must be monitored during intervals of 500hours by the oil sampling kit below.
4. Allowable contamination: Within ISO/17/14 by ISO4406 (within NAS 8 by NAS 1638).

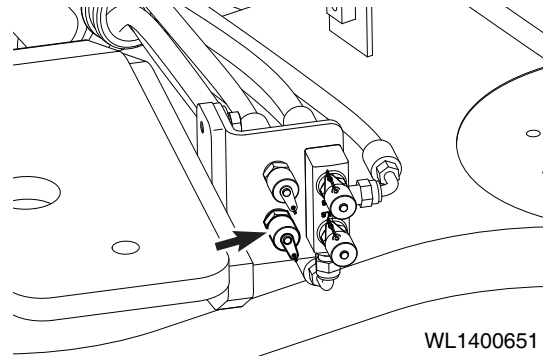


Figure 103

1,000 HOUR / 6 MONTH SERVICE

Perform All Daily, 50, 250, and 500 Hour Service Checks

Change Water Separator

 **WARNING**

AVOID DEATH OR SERIOUS INJURY

Change filter after waiting for engine to cool. Be careful of fire hazards. Do not smoke.

1. Locate fuel filter inside engine compartment.
2. Position a small container under fuel filter. Drain filter by opening drain valve on bottom of filter.

NOTE: *Dispose of drained fluids according to applicable laws and regulations.*

3. Unscrew fuel filter from head assembly. Discard fuel filter.
4. After cleaning filter head, install new fuel filter. Screw filter on head until gasket contacts head, and then turn filter 1/3 - 1/2 turn more.

NOTE: *Coat fuel filter gasket with fuel. This filter is for trapping water in the fuel return line from engine water separator filter.*

5. Start engine. After engine has run for a couple of minutes, stop engine and look for signs of leaks. If the engine does not start, fuel system may need priming. Prime hand pump on the engine fuel filter.

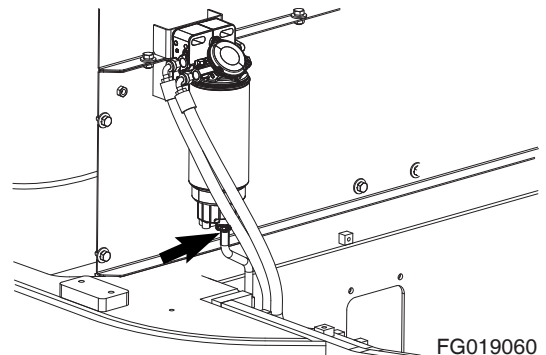


Figure 104

Change Fuel Filter



WARNING

AVOID DEATH OR SERIOUS INJURY

Change filter after waiting for engine to cool. Be careful of fire hazards. Do not smoke.

| Reference Number | Description |
|------------------|------------------------|
| 1 | Water Separator Filter |
| 2 | Pressure Filter |
| 3 | Hand Pump |
| 4 | Bleeder Valve |
| 5 | Drain Plug |

IMPORTANT

Replace the fuel filter only in a clean area. If foreign materials enter the filter during its replacement, they can severely damage the engine injectors.

Engines with XPI system have dual fuel filters in the form of a water separator suction filter and a pressure filter.

1. Locate fuel filter inside engine compartment.
2. Clean the filter cover and body with clean cloth thoroughly before replacing the filter.

NOTE: *If wearing gloves, wear only clean ones for correct filter replacement.*

3. Position a small container under fuel filter.
4. Remove fuel pressure in the fuel filter housing by opening the bleeder valve (4, Figure 105) before unscrewing the filter cover.

NOTE: *If the fuel pressure doesn't decrease enough, it might be difficult to unscrew the filter cover.*

5. Drain fuel from the filter by unscrewing the plug (5, Figure 105) on its bottom before its replacement.

IMPORTANT

A large amount of fuel may spurt abruptly. Make sure to put a container under the filter to collect drained fuel. (Total draining amount: approximately 2 L)

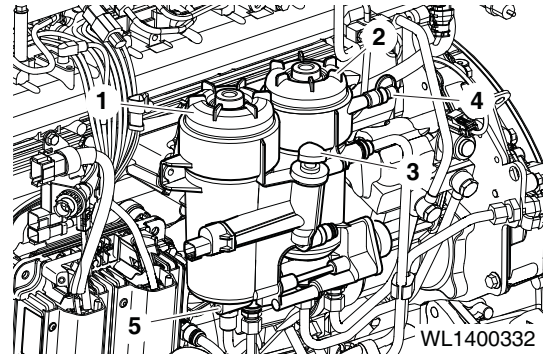


Figure 105

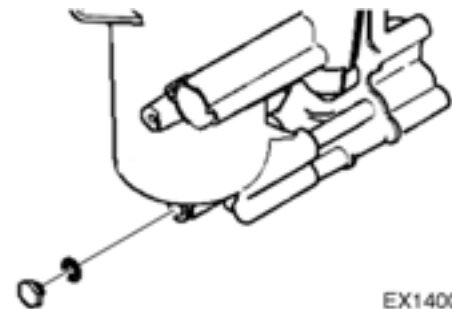


Figure 106

EX1400630

- Unscrew the filter cover (cover No. 1) with 36 mm socket.

IMPORTANT

Do not use an adjustable wrench or other open tool as there is risk of damaging the filter cover.

- Wait until no more fuel comes out. Then, lift the element in the water separator filter slightly and slowly to drain the remaining completely. (Be careful to keep the inside of the housing from foreign substances when fully lifting the cover.)
- When the fuel is not drained any more, slightly close the cover without removing the internal filter. (Never replace it with a new filter.)
- Unscrew the filter cover (cover No. 2) with 36 mm socket.

IMPORTANT

Do not use an adjustable wrench or other open tool as there is risk of damaging the filter cover.

- Wait until no more fuel comes out of the pressure filter. Lift the pressure filter element slightly and slowly to drain the remained fuel. (Be careful to keep the inside of the housing from foreign substances when fully lifting the cover).
- When all fuel is completely drained, remove element gently and remove fuel left on the bottom completely. (Use Doosan Suction Tool (850329-00295) to suck the remaining fuel and foreign substances in the secondary filter housing).
- Install new O-ring in cover. Lubricate O-ring with O-ring grease. (Figure 109)
- Press new filter (pressure filter) into snap fasteners on cover.
- Press filter down into the fuel filter housing with the cover. Screw on the filter cover firmly with 36 mm socket.

NOTE: *Cover tightening torque 25 N.m
(2.55 kg.m, 18.4 ft lb)*

- Check that there is no gap between the filter cover and the filter. If there is a gap, repeat the procedure and ensure that bleeder valve (4, Figure 105) is open.
- Open the water separator filter cover (cover No. 1) once again and remove the element in order to make sure to suck the fuel remaining on the floor. (Figure 109)

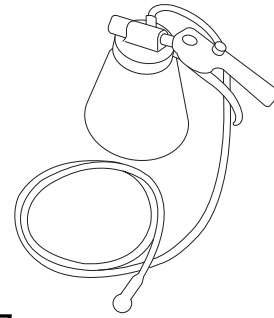


Figure 107

FG024435

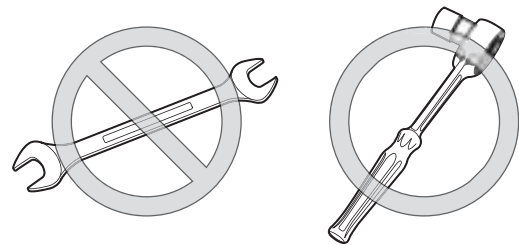


Figure 108

EX1401310

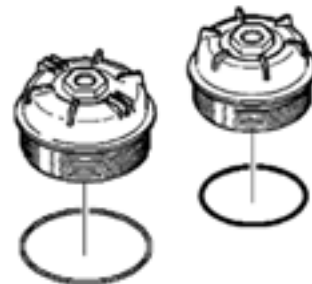


Figure 109

EX1400831

17. Install new O-ring in cover. Lubricate O-ring with O-ring grease. (Figure 110)
18. Press new filter (water separator filter) into snap fasteners on cover.
19. Water separator filter down into the fuel filter housing with the cover. Screw on the filter cover firmly with 36 mm socket.

NOTE: *Cover tightening torque 25 N.m
(2.55 kg.m, 18.4 ft lb)*

20. Check that there is no gap between the filter cover and the filter. If there is a gap, repeat the procedure and ensure that bleeder valve (4, Figure 105) is open.
21. Install the plug and washer (5, Figure 105) back to their positions.

NOTE: *Plug tightening torque 15 N.m
(1.53 kg.m, 11 ft lb)*

NOTE: *Dispose of drained fluids in compliance with all applicable environmental regulations.*

22. Bleed the fuel system. See "Bleeding Fuel System" on page 4-75.

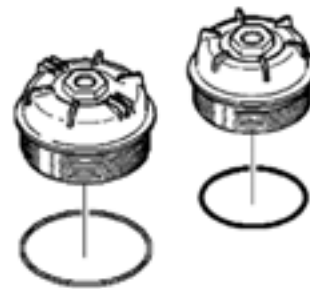


Figure 110

EX1400831

Bleeding Fuel System

1. Attach a clear plastic hose to the bleeder valve (4, Figure 105) on the fuel filter housing. Place the end of the plastic hose in a container that holds at least 3 liters (0.79 U.S. gal.).
2. Loosen the hand pump (3, Figure 105) handle.
3. Open the bleeder valve (4, Figure 105).
4. Pump by hand until fuel comes out of the hose. This may take around 100 pump strokes. Depending on the installation, a significantly greater number of pump strokes may be required before fuel comes out.
5. Close the bleeder valve (4, Figure 105).
6. Start the engine and carefully open the bleeder valve (4, Figure 105).
7. Check that fuel without air bubbles comes out of the hose. Normally, about 3 liters (0.79 U.S. gal.) of fuel must be drained before no more air bubbles come through the hose.
8. Close the bleeder valve (4, Figure 105), remove hose and tighten the hand pump (3, Figure 105) handle.

Change DEF (AdBlue) Breather Filter

1. Open the DEF tank steel cover.

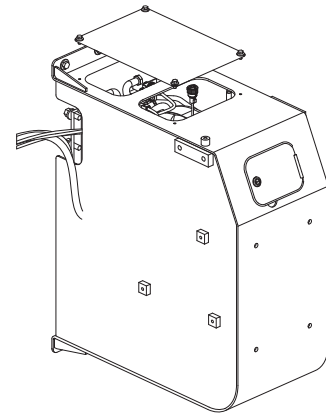


Figure 111

WL1300169

2. Replace the DEF breather filter.
3. Screw on the DEF tank cover.

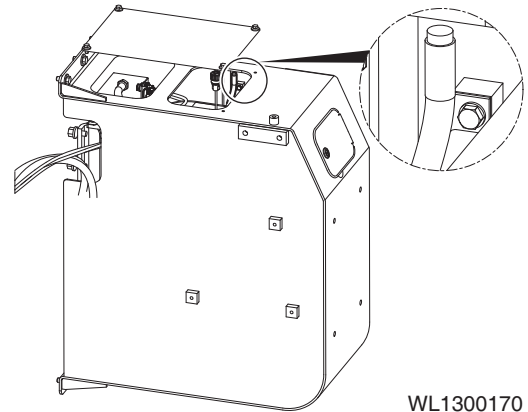


Figure 112

WL1300170

Change DEF (AdBlue) Filter

1. Open the DEF tank steel cover. (Figure 113)

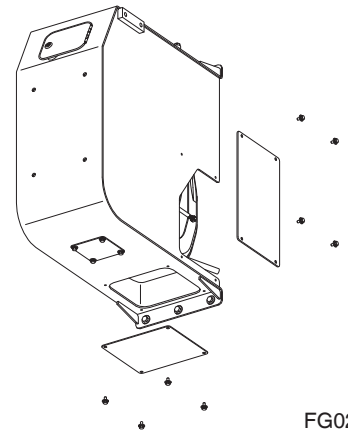


Figure 113

FG023255

2. Remove cover on the rear of the reductant tank.

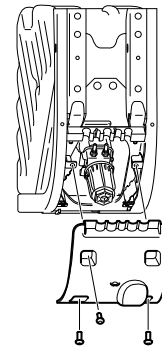


Figure 114

FG019061

3. Place a suitable container underneath.
4. Unscrew the filter cover. Use a 46 mm socket.
5. Lift out the filter cover and filter.
6. Replace the filter and check the O-ring and insulation.
7. Wipe clean with lukewarm water before you reinstall the filter cover to remove any crystals.
8. Screw on the filter cover again. Tightening torque 80 N.m (59 ft lb).

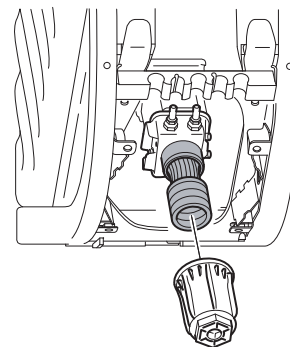


Figure 115

FG019062

Drain and Change Transmission Oil and Filter

NOTE: *Transmission oil and filter must be changed after first 250 hours of operation to comply with new machine break-in requirements. After first change, oil and filter must be changed every 1,000 hours. Follow procedure under 1,000 hour maintenance interval See page 4-59.*

1. Start machine and drive it until transmission fluid has warmed to 82 - 93°C (180 - 200°F).
2. Position machine on firm and level ground.
3. "ENGAGE" parking brake.
4. Lower bucket or work tool to ground.
5. Move transmission lever to "NEUTRAL" position.
6. Make sure transmission neutral lock is in the "N" (NEUTRAL LOCK) position.
7. Stop engine.
8. Block tires.

NOTE: *See "Fluid Capacities" on page 4-29 for capacity.*

9. Remove drain plug. Allow all transmission fluid to drain into a receptacle. Clean drain plug.

NOTE: *Dispose of drained fluids according to applicable environmental laws and regulations.*

10. Install drain plug in transmission.
11. Remove suction strainer. Clean suction strainer and install it.
12. Rotate filter counterclockwise to remove it.
13. Clean filter head.
14. Grease filter gasket and gasket mating surface on filter head.
15. Thread filter onto filter head. Tighten filter 1/2 turn after filter gasket contacts filter head. Filter must be torqued to 1.6 - 2.1 kg•m (11.5 - 15 ft lb).

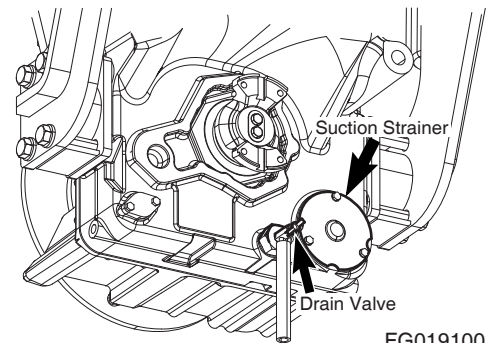


Figure 116

FG019100

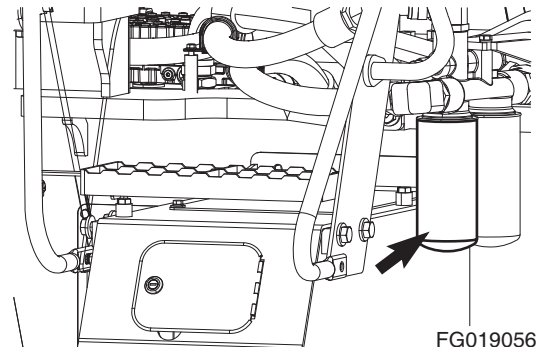


Figure 117

FG019056

16. Fill transmission with fluid through fluid supply pipe. Add fluid until fluid level reaches low mark on dipstick.
17. Start engine. Idle engine for two (2) minutes.
18. With engine idling, check transmission fluid level. Add fluid until level reaches high mark on dipstick.
19. Idle engine until transmission fluid temperature reaches 82 - 93°C (180 - 200°F). Check fluid level with engine idling. Level must reach high mark on dipstick.
20. Check filter for leaks while engine is running.

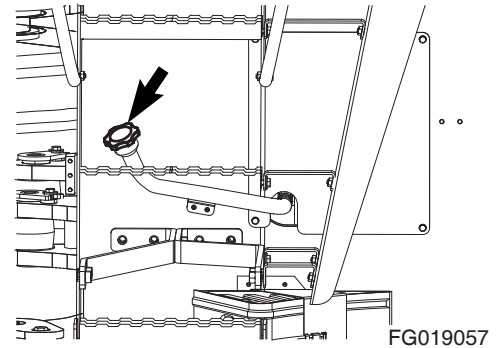


Figure 118

Change Air Conditioner Inner Filter

NOTE: *This machine is equipped with an air filtration system which filters out dirt and dust particles from the air and prevent them from being circulated into operator's cabin. This filter must be cleaned out every 500 hours and replaced with a new one every 1,000 hours. For filter replacement See "Clean Air Conditioner Inner Filter" on page 4-70*

NOTE: *If the machine is being operated in a dusty environment, cleaning and replacement must be performed more frequently.*

Check and Adjust Engine

Contact your DOOSAN distributor or engine dealer for checking and adjusting the following items:

- Engine compression pressure.
- Injection pressure.
- Injection timing.

Clean Fuel Tank and Strainer



WARNING

AVOID DEATH OR SERIOUS INJURY

Fuel is flammable and harmful to skin.

- Do not smoke while draining moisture and sediment from fuel tank.
- Do not drain fuel with engine running.
- Do not allow fuel to remain on skin for an extended period of time. Wash thoroughly with soap and water.

NOTE: *It is easier to clean the fuel tank when it is almost empty.*

1. Position machine on firm and level ground.
2. "ENGAGE" parking brake.
3. Lower bucket or work tool to ground.
4. Move transmission lever to "NEUTRAL" position.
5. Make sure transmission neutral lock is in the "N" (NEUTRAL LOCK) position.
6. Stop engine.
7. Block tires.
8. Open the drain valve (1, Figure 119) on the bottom of the fuel tank.
9. Drain the remaining fuel into a suitable container.
NOTE: *Dispose of drained fluids according to applicable environmental laws and regulations.*
10. Remove bolts, inspection cover and gasket (2, Figure 119) from fuel tank.
11. Clean inside of the tank and suction strainer.
12. Install the inspection cover with a new gasket. Tighten the bolts. Do not overtighten.
13. Close drain valve.
14. Fill fuel tank.
15. Check for any leaks at cover and plug.

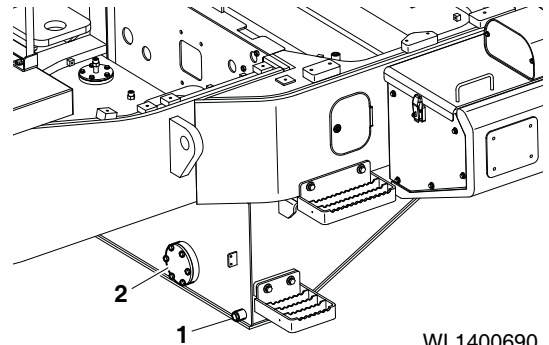


Figure 119

WL1400690

Check Air Conditioner Refrigerant

WARNING

AVOID DEATH OR SERIOUS INJURY

Mixing of tobacco smoke and freon can cause death or serious injury.

Do not smoke while servicing or recharging air-conditioning system.

1. Position machine on firm and level ground.
2. "ENGAGE" parking brake.
3. Lower bucket or work tool to ground.
4. Move transmission lever to "NEUTRAL" position.
5. Make sure transmission neutral lock is in the "N" (NEUTRAL LOCK) position.
6. Block tires.
7. Remove cover.
8. Press the "HI" flow control switch to set maximum airflow.
9. Set the temperature control switch fully to the cool position and fully open the cabin doors.
10. Slightly accelerate the engine to about the middle speed range (compressor speed 1,500 - 1,800 rpm).
11. Compare the flow of bubbles in the sight glass with the drawings in the following table.

IMPORTANT

Overfilling refrigerant can cause excessively high-pressures and poor cooling action. Low refrigerant levels can cause compressor damage.

Always maintain refrigerant at normal level.

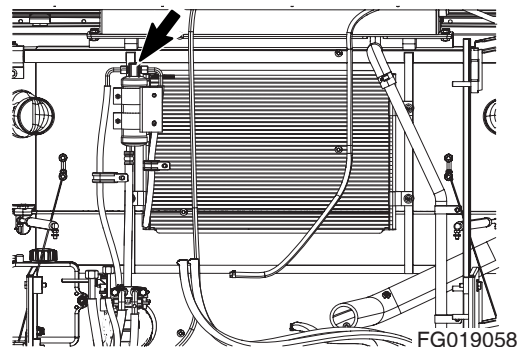

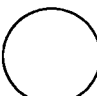
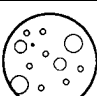


Figure 120

| Amount of Refrigerant | Appearance of the Sight Glass | Solutions |
|------------------------------|-----------------------------------------------------------------------------------------------------------------------------------------------------------------------------------|----------------------------------------------------------------------------|
| Normal |  <p>Almost clear.
Any bubbles disappear if the engine speed is increased to 1,500 rpm.</p> | Contact your DOOSAN distributor for inspection and recharging refrigerant. |
| High |  <p>No bubbles are seen.</p> | |
| Low |  <p>A flow of bubbles is visible.</p> | |

Change Air Breather Filter

1. Position machine on firm and level ground.
2. "ENGAGE" parking brake.
3. Lower bucket or work tool to ground.
4. Move transmission lever to "NEUTRAL" position.
5. Make sure transmission neutral lock is in the "N" (NEUTRAL LOCK) position.
6. Stop engine.
7. Block tires.
8. Tip breather cap (2, Figure 121) slightly to release the internal pressure.
9. Unscrew the bolt (1, Figure 121) and take off the breather cap (2, Figure 121).
10. Change a filter cartridge (3, Figure 121) and assemble the breather cap by tightening bolt.

NOTE: *Used filter should always be disposed of according to applicable environmental laws and regulations.*

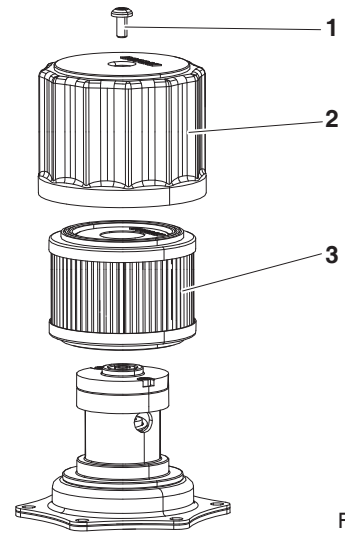


Figure 121

FG013207

Change Hydraulic Full Flow Filter



AVOID DEATH OR SERIOUS INJURY

The hydraulic oil will be hot after machine operation. Allow system to cool before attempting to service any of the hydraulic components.

The hydraulic tank is pressurized. Tip breather cap slightly to allow pressurized air to vent. After pressure has been released, remove service covers or drain water from the tank.

IMPORTANT

Make sure to clean any dirt or water from top of the hydraulic tank, especially around fill port and filter ports.

NOTE: *Replace hydraulic full flow filter after first 50 hours of operation or rebuild and every 1,000 hours thereafter.*

1. Tip breather cap on hydraulic tank to allow pressurized air to vent.
2. Clean filter cover (2, Figure 122) and tank around cover.
3. Remove bolts (1, Figure 122) from cover (2, Figure 122).
4. Lift cover (2, Figure 122) and O-ring (3, Figure 122) off tank. Control spring (4, Figure 122) that sits beneath cover. Remove spring (4, Figure 122).
5. Remove valve (5, Figure 122), strainer (6, Figure 122) and element filter (7, Figure 122) from tank.
6. Clean underside of cover (2, Figure 122).
7. Set a new element filter (7, Figure 122), strainer (6, Figure 122) and valve (5, Figure 122) down into tank. Press element down onto its base until top of element is approximately 4 mm (0.157") below edge of tank.
8. Install a new O-ring (3, Figure 122) on cover (2, Figure 122). Set spring (4, Figure 122) into place on element filter (7, Figure 122).
9. Set cover (2, Figure 122) into place over element filter (7, Figure 122). Install bolts (1, Figure 122) through cover (2, Figure 122) and tighten them.

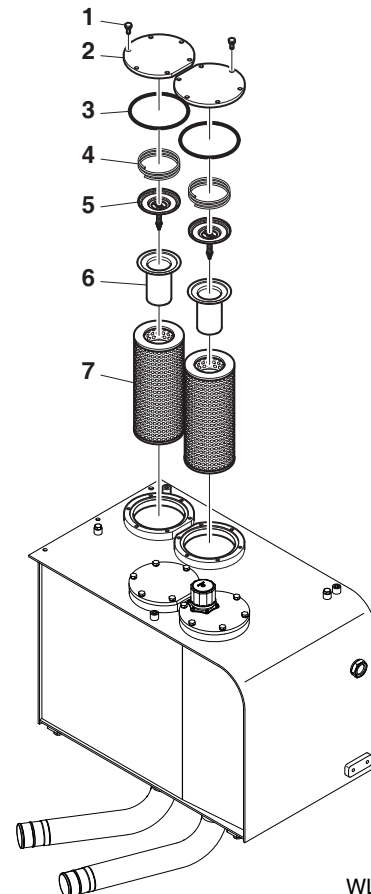


Figure 122

WL1400654

Change Fuel Cap Filter



AVOID DEATH OR SERIOUS INJURY

External shock or damage to fuel cap may lead to permanent damage to filter.

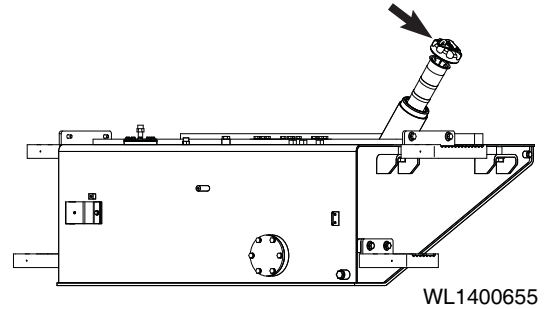
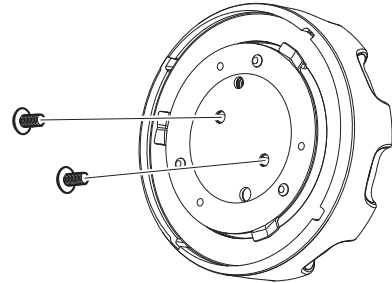


Figure 123

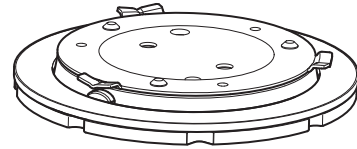
1. Look under the fuel cap as shown on (Figure 124). Rotate bolt to counterclockwise direction to loosen.



FG015684

Figure 124

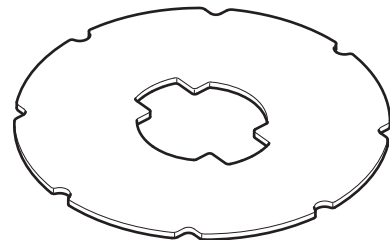
2. After disassembly, carefully lay it as shown in Figure 125.



FG015685

Figure 125

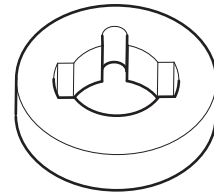
3. After disassembly as shown in Figure 125, disengage rubber as shown on (Figure 126).



FG015686

Figure 126

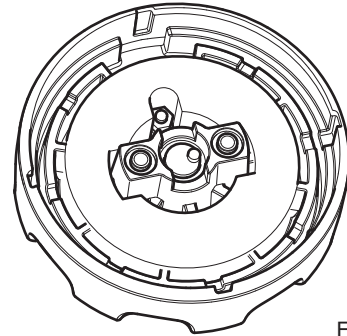
4. After disassembly as shown on (Figure 126), you may now exchange it to a new filter as shown in (Figure 127).



FG015687

Figure 127

5. After exchanging to a new filter, you may now assemble back in reverse order.



FG015688

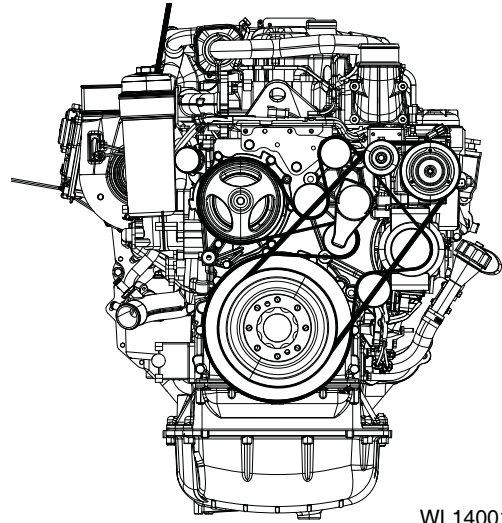
Figure 128

Check Drive Belt

IMPORTANT

Refit the drive belt with the same direction of rotation as it had before removal.

1. Check the drive belt thoroughly, particularly at the idler rollers.

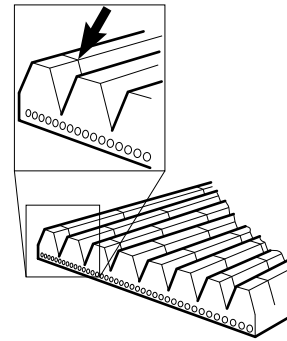


WL1400103

Figure 129

2. Check the drive belt for cracks.

NOTE: *The drive belt must be replaced if it has cracks.*

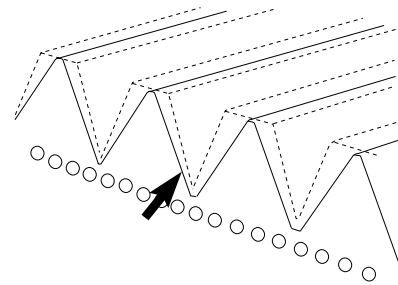


FG019065

Figure 130

3. Check drive belt wear.

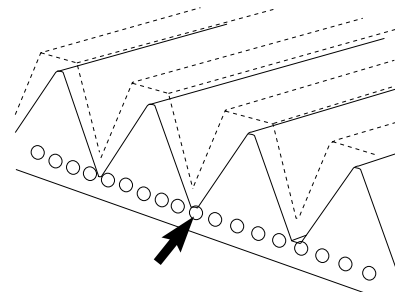
NOTE: *If the drive belt is starting to become worn, it may be able to be re-adjusted.*



FG019066

Figure 131

NOTE: *If the belt is worn down to the cord, the drive belt must be replaced.*



FG019067

Figure 132

1,500 HOUR / 9 MONTH SERVICE

Perform All Daily, 50, 250 and 500 Hour Service Checks

Change Axle Differential and Planetaries Oil

NOTE: *Oil in both front and rear axles must be replaced after first 500 hours of operation to comply with new machine break-in requirements. After that, axle oil check must be done every 500 hours of operation and replacement must be done every 1,500 hours.*

Each axle contains a center differential, and a planetary on each end. The same oil lubricates the center differential and planetaries. These sections of the axle are connected, but the oil flows very slowly between them. When checked, oil must be checked and refilled at the level/fill plug on the differential housing.

To drain and replace oil in an axle, perform the following steps:

1. Position machine on firm and level ground.
2. "ENGAGE" parking brake.
3. Lower bucket or work tool to ground.
4. Move transmission lever to "NEUTRAL" position.
5. Make sure transmission neutral lock is in the "N" (NEUTRAL LOCK) position.
6. Stop engine.
7. Block tires.
8. Clean areas around drain plugs on both ends of axle. Remove plugs and allow oil to drain into a suitable container.

NOTE: *See "Fluid Capacities" on page 4-29 for capacity.*

NOTE: *Dispose of drained fluids according to applicable environmental laws and regulations.*

NOTE: *Plug Size: M24 x 1.5
Tightening Torque: 7.1 kg•m (51 ft lb)*

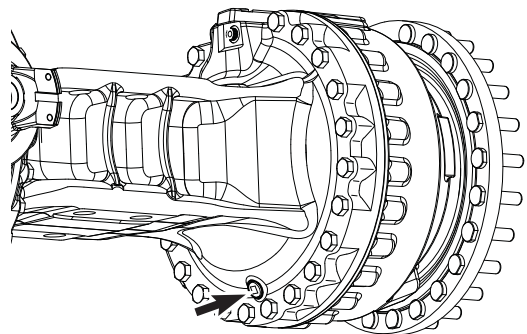


Figure 133

WL1400691

- Clean area around level plug (1, Figure 134) and drain plug (2) on center differential. Remove level plug (1) and drain plug (2). Allow oil to drain into a suitable container.

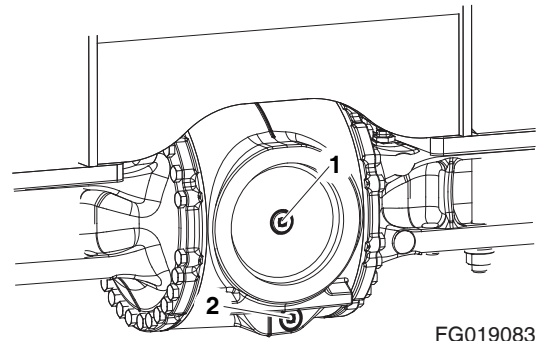
NOTE: *Plug Size (1, Figure 134): M36 x 1.5*
Tightening Torque: 13.2 kg•m (95 ft lb)

- Install drain plug (1, Figure 134) into center differential, and tighten. Install drain plugs on both ends of axle, and tighten.
- Pump oil into level plug hole on center differential. Add oil until oil level is even with bottom of plug hole. Recheck level on center differential. Add oil if necessary. When oil level is satisfactory at the level plug hole, install and tighten level plug.

NOTE: *Allow enough time to fill planetaries with oil.*

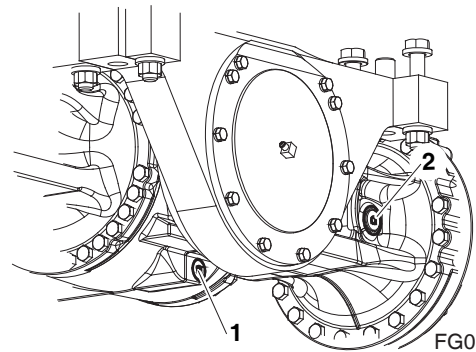
- Repeat procedure for other axle.

NOTE: *Plug Size (1, Figure 135): M36 x 1.5*
Tightening Torque: 13.2 kg•m (95 ft lb)
Plug Size (2, Figure 135): M36 x 1.5
Tightening Torque: 13.2 kg•m (95 ft lb)



FG019083

Figure 134 Front Axle



FG019084

Figure 135 Rear Axle

2,000 HOUR / YEARLY SERVICE

Perform All Daily, 50, 250, 500 and 1,000 Hour Service Checks

Change Outer Air Cleaner Filter

IMPORTANT

Never remove air cleaner filter while engine is running. This will allow dirt into engine and cause serious engine damage. Always turn engine "OFF" before servicing air cleaner.

1. Replace the primary element at the fourth cleaning.
2. Do not clean the secondary filter.

Change Inner Air Cleaner Filter

IMPORTANT

Never remove air cleaner filter while engine is running. This will allow dirt into engine and cause serious engine damage. Always turn engine "OFF" before servicing air cleaner.

1. Replace the primary element at the fourth cleaning.
2. Do not clean the secondary filter.

Check Steering, Brake, Driveshaft, Engine, and Fuel System

Change Pipes and Hoses

1. Replace hoses that carry brake fluid to wheel brakes. Also replace hoses that carry hydraulic fluid to steering cylinders.
2. The best way to maintain proper braking and steering operation and to maintain maximum performance is to replace hoses regularly. If any brake or steering hoses become damaged, replace them immediately despite time interval since their last replacement.

Change Radiator Coolant

NOTE: Do not mix ethylene glycol and propylene glycol antifreeze together. See "Engine Cooling System" on page 4-98 for further details.

IMPORTANT

Allow the engine to cool before releasing the radiator cap. Make sure to loosen the cap slowly to release any remaining pressure.

Radiator cleaning is performed while the engine is running. Take extreme caution when working on or near a running engine. Make sure to lock out and tag the controls notifying personnel that service work is being performed.

Do not remove radiator cap unless it is required. Check the coolant level in the coolant recovery tank.

IMPORTANT

Do not mix up the antifreeze from different makers. Mixing the two compounds can cause generation of foreign material which can damage the system. Therefore, it is recommended to use authorized DOOSAN genuine antifreeze solution.

To achieve the best cooling performance, keep the mixing ratio of the antifreeze and water by 50 : 50. Using water only can corrode the coolant circuit.

In bitterly cold working conditions, the customer should frequently check the performance of the coolant for appropriateness for the weather and then determine change cycle of the coolant.

1. Slowly open the radiator cap (Figure 136) to allow any pressure to escape.

NOTE: See "Fluid Capacities" on page 4-29 for capacity.

2. Place a container under the radiator and open the drain plug (Figure 137).

NOTE: Dispose of drained fluids according to applicable environmental laws and regulations.

3. Fill cooling system with a flushing solution.
4. Run engine at low idle until coolant temperature gauge reaches the "BLUE ZONE". Run engine for another ten minutes.
5. Allow engine to cool.
6. Drain flushing fluid and fill system with water.
7. Run engine again to allow water to completely circulate.

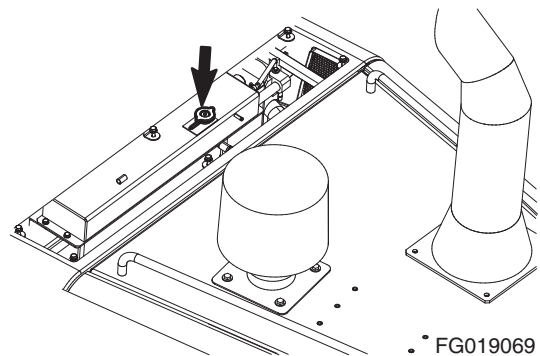


Figure 136

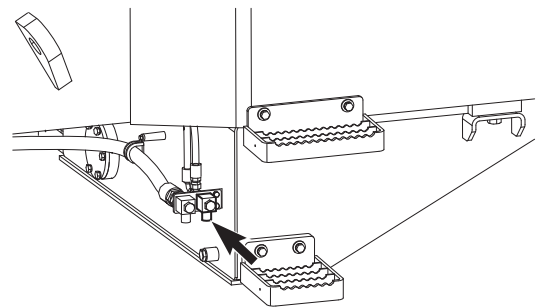


Figure 137

8. After allowing engine to cool, drain water and fill system with proper antifreeze mixture for ambient temperature. Refer to coolant concentration table. See “Antifreeze Concentration Tables” on page 4-100
9. Run engine without radiator cap installed, so all air will be purged from system. Fill radiator to fill neck.
10. Drain and fill radiator coolant recovery tank.

Change Hydraulic Oil and Clean Oil Suction Strainer



WARNING

AVOID DEATH OR SERIOUS INJURY

Be certain that hydraulic oil has cooled before draining it. Hot oil could splash and cause burns.

1. Raise boom to its highest position. Tilt bucket back as far as possible, and stop engine.

NOTE: See “Fluid Capacities” on page 4-29 for capacity.

2. Position a catch tank beneath hydraulic tank drain plug. Tip breather cap to allow pressurized air to vent. Remove hydraulic oil tank cover. Remove drain plug from bottom of tank. (Figure 139). Allow all hydraulic oil to drain out.

3. Without starting engine, operate controls to dump bucket. (Figure 140). Then operate controls to lower boom. (Figure 141). This will drain oil out of boom and bucket cylinders.
4. Replace full flow hydraulic filters as described under “Change Hydraulic Full Flow Filter” on page 4-83.

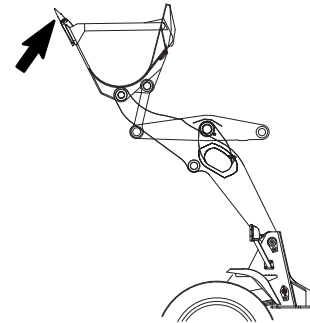


Figure 138

FG014461

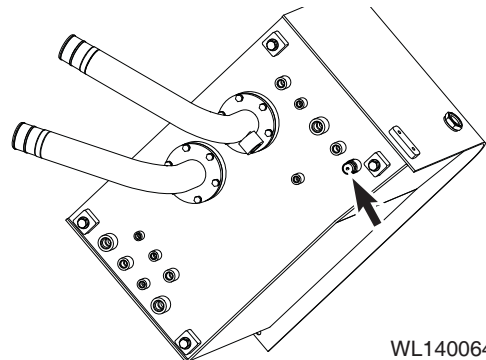


Figure 139

WL1400648

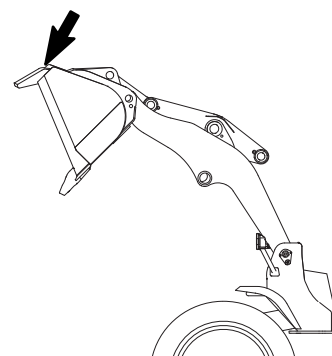


Figure 140

FG014462

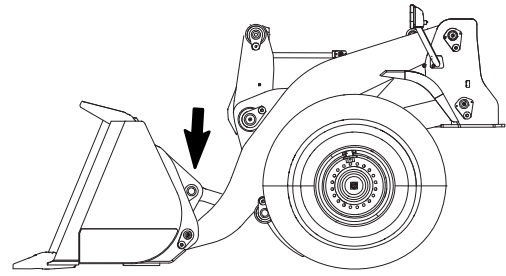


Figure 141

FG014463

5. Remove and clean pump inlet strainer (Figure 142) inside hydraulic tank.
 - A. Carefully remove bolts and cover (1, Figure 142) from top of hydraulic oil tank. There is a spring (2, Figure 142) under the cover that will force the cover up.
 - B. Remove spring (2, Figure 142) and suction filter (4, Figure 142), by pulling on rod (3, Figure 142).
 - C. Clean inside and outside of strainer. Replace strainer if it is broken.
 - D. Position strainer on boss portion of suction pipe.
 - E. Fill hydraulic oil tank. Check level using sight gauge on side of tank.

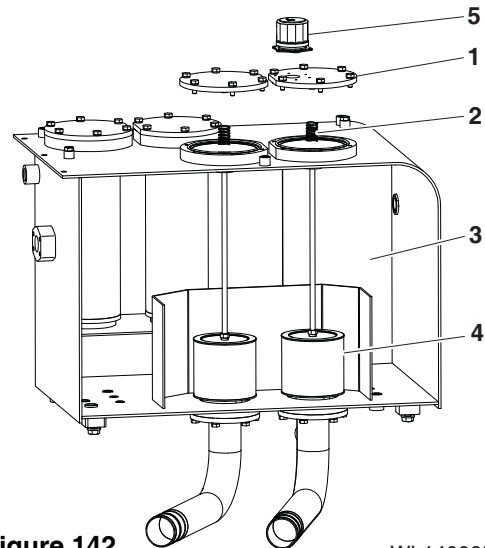


Figure 142

WL1400656

6. Install tank drain plug. Refill tank by pouring oil in through hydraulic oil cover opening. Install and tighten cover.
7. Start engine and operate controls to raise and lower bucket a few times. (Figure 143). Raise and lower boom a few times. (Figure 144). Lower bucket or work tool to ground.
8. Check tank sight gauge. (See Figure 27 on page 4-38). Oil level must be between upper limit and lower limit on sight gauge. Remove cover and add oil if necessary.

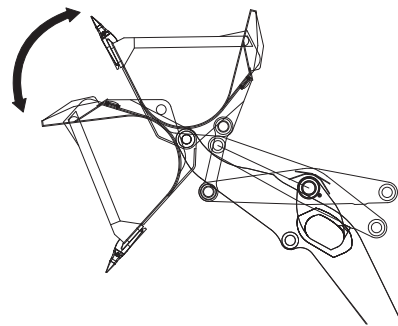


Figure 143

FG014464

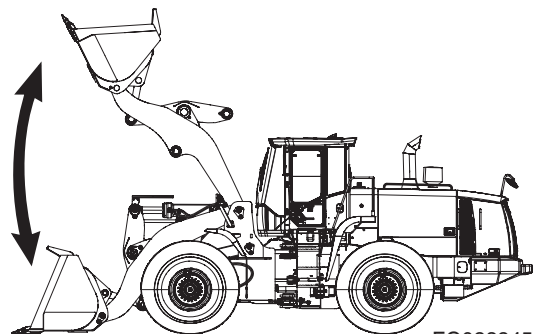


Figure 144

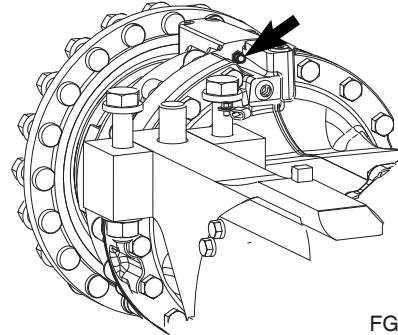
FG023245

Bleed Brakes

When brake hoses or brake tubes are replaced, air can be introduced into brake hydraulic system and can cause brakes to operate intermittently. Never operate machine with air in brake's hydraulic system. A spongy feel when pressing brake pedal is a sign that air is present in the brake's hydraulic system.

To bleed air out of brake hydraulic system, perform the following steps:

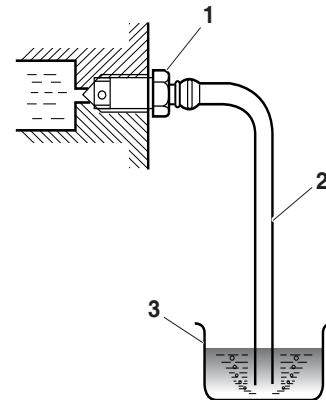
1. Start engine and place transmission in "NEUTRAL".



FG019068

Figure 145

2. Remove rubber cap from bleeder (1, Figure 146). Place one end of a plastic hose (2) over bleeder screw. Place end of hose in a container (3) filled with brake fluid.
3. Station one person in operator's cabin, and one person at bleeder screw on axle being bled.
4. Press down on brake pedal as much as possible.
5. Open bleeder screw using 14 mm wrench.
6. Close bleeder screw.
7. Release brake pedal.
8. Repeat steps 4 thru 7, until air bubbles are not seen in the brake line.
9. Perform bleeding procedure on other three locations.



HLB3018L

Figure 146

Check Brake Accumulator



WARNING

AVOID DEATH OR SERIOUS INJURY

Pressurized Nitrogen gas in brake accumulator can explode causing death or serious injury.

Never service brake accumulator unless properly trained.

Test the brake accumulator for proper precharge of Nitrogen gas:

1. Position machine on firm and level ground.
2. "ENGAGE" parking brake.
3. Lower bucket or work tool to ground.
4. Move transmission lever to "NEUTRAL" position.
5. Make sure transmission neutral lock is in the "N" (NEUTRAL LOCK) position.
6. Block tires.
7. Run the engine at low idle for five (5) minutes to fill the brake accumulator with oil.
8. Stop engine.
9. Turn the starter switch to "ON" position.
10. Count the number of times you can depress the right-hand brake pedal before the brake warning light comes on.
11. If the number counted is less than five, there is a problem with the accumulator. Contact your DOOSAN distributor.

12,000 HOUR / 6 YEAR SERVICE

Hose In-service Lifetime Limit (European Standard ISO 8331 and EN982 CEN)

European regulations state that in-service life of any hydraulic hose may not exceed six (6) years. DOOSAN recommends the following:

- Hoses at the customer premises cannot be stored more than two (2) years before being discarded or installed on a machine.
- In-service lifetime of hoses fitted on a machine can never exceed six (6) years, but replace hoses described in “Change Pipes and Hoses” on page 4-89, every year. Always replace hoses having exceeded the allowed in-service lifetime irrespective of the external appearance/wear.
- Always store hoses in a dark place at a maximum of 65% relative humidity between 0°C (32°F) and 35°C (95°F) but as close as possible to 15°C (59°F), and away from copper, manganese or tube generating Ozone.

STANDARD BOLT TORQUE CHART

Tightening Torque Specifications for Metric Bolts (For coated threads, prelubricated assemblies)

| Grade | Gr. 8.8 | | Gr. 10.9 | | Gr. 12.9 | |
|--------------|---------|-------|----------|-------|----------|-------|
| | kg•m | ft lb | kg•m | ft lb | kg•m | ft lb |
| 5 mm x std. | 0.59 | 4.3 | 0.79 | 5.7 | 1.0 | 7.2 |
| 6 mm x std. | 1.00 | 7.3 | 1.38 | 10 | 1.66 | 12 |
| 8 mm x std. | 2.49 | 18 | 3.46 | 25 | 4.15 | 30 |
| 8 mm x 1.0 | 2.76 | 20 | 3.87 | 28 | 4.56 | 33 |
| 10 mm x std. | 4.84 | 35 | 6.92 | 50 | 8.30 | 60 |
| 10 mm x 1.0 | 4.84 | 35 | 7.05 | 51 | 8.30 | 60 |
| 12 mm x std. | 8.57 | 62 | 11.89 | 86 | 14.52 | 105 |
| 12 mm x 1.5 | 9.00 | 65 | 12.59 | 91 | 14.94 | 108 |
| 14 mm x std. | 13.55 | 98 | 18.95 | 137 | 23.10 | 167 |
| 14 mm x 1.5 | 14.94 | 108 | 21.02 | 152 | 24.89 | 180 |
| 16 mm x std. | 20.88 | 151 | 29.46 | 213 | 35.54 | 257 |
| 16 mm x 1.5 | 22.54 | 163 | 31.53 | 228 | 38.03 | 275 |
| 18 mm x std. | 28.90 | 209 | 40.52 | 293 | 48.41 | 350 |
| 18 mm x 1.5 | 32.50 | 235 | 45.92 | 332 | 55.04 | 398 |
| 20 mm x std. | 40.94 | 296 | 57.95 | 419 | 69.01 | 499 |
| 20 mm x 1.5 | 46.05 | 333 | 64.03 | 463 | 77.03 | 557 |
| 22 mm x std. | 54.90 | 397 | 77.86 | 563 | 93.08 | 673 |
| 22 mm x 1.5 | 61.00 | 441 | 86.02 | 622 | 105.00 | 759 |
| 24 mm x std. | 71.00 | 513 | 100.00 | 723 | 120.00 | 868 |
| 24 mm x 2.0 | 78.00 | 564 | 109.95 | 795 | 130.00 | 940 |
| 27 mm x 2.0 | 115.06 | 832 | 160.00 | 1157 | 195.00 | 1410 |

ELECTRICAL SYSTEM

Check Battery Condition



AVOID DEATH OR SERIOUS INJURY

Before starting any battery service work, make sure to shut the engine off and turn the starter key to "OFF" position.

The batteries create hydrogen gas. An explosion hazard exists, particularly with a deeply discharged battery. Make sure that open flames, burning objects or sparks are kept away from the battery compartment.

Battery electrolyte is diluted sulfuric acid. Take extreme caution when handling the batteries. The electrolyte can cause severe chemical burns. If any electrolyte gets on your clothing or skin, wash it off immediately with large quantities of water. If the electrolyte gets into your eyes, flush them immediately with a large quantity of water and seek immediate medical attention.

When installing a battery, wear safety goggles always.

When removing a battery, remove negative (-) or ground terminal first, and then the positive (+) terminal. This will prevent sparks or arcing that could cause an explosion. When installing a battery, connect the positive terminal first and then the negative terminal. Make sure to fully tighten the terminal clamps.

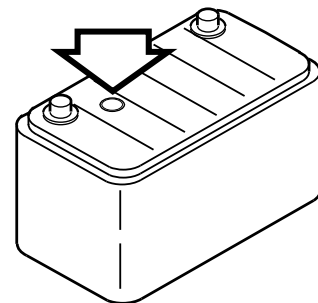
1. In colder weather, a greater drain is placed on the batteries when starting a cold engine. Battery performance decreases as the temperature gets lower.
2. In extremely cold weather, remove batteries at night and move them to a warm location. This will help to keep them at a higher power level.
3. Inspect battery electrolyte level before operation.

NOTE: *The battery installed at the factory is a Maintenance Free (MF) type. Electrolyte under normal conditions should remain at its proper level.*

4. Inspect charge condition of battery by looking at the indicator light built into battery.
 - GREEN: Normal.
 - BLACK: Insufficient charging - check alternator.
 - TRANSPARENT: Insufficient battery electrolyte - replace with new battery.

NOTE: *Colors may vary from one battery manufacturer to another. Always refer to instructions on battery.*

The batteries should always be replaced in pairs. Using an old battery with a new one will shorten the life span of the new battery.



HJB5002L

Figure 147

ENGINE COOLING SYSTEM

General

Keeping an engine's cooling system in peak operating condition can have many benefits in keeping a machine in good operating condition. A properly functioning cooling system will improve fuel efficiency, reduce engine wear, and extend component life.

Always use distilled water in the radiator. Contaminants in tap water neutralize the corrosion inhibitor components. If tap water must be used, Refer to "Table of Standards for Allowed Tap Water" on page 4-100. Water that has been treated with a water softener also contains salt that will cause corrosion of components. Water from creeks and stagnant pools usually contain dirt, minerals and/or organic material that are deposited in the cooling system and impair cooling efficiency. As such, the use of distilled water is recommended.

Engine coolant shall be mixed with antifreeze solution and water in ratio of 50 : 50.

Coolant shall be checked every 500 hours of operation for ensuring adequate concentration of antifreeze solution and additives.

Engine overheating is often caused by bent or clogged radiator fins. The spaces between the fins can be cleaned by use of air or water under pressure. When straightening bent fins, use care not to damage the tubes or break the bonding joint between the fins and the tubes.



WARNING

AVOID DEATH OR SERIOUS INJURY

Pressure at air nozzle must not exceed 2 kg/cm² (28 psi). Always wear goggles when using compressed air.

Do not pour cold water into radiator when engine is hot and water level is below the top of the tubes. Such action could result in damage to engine cylinder heads.

Heavy-duty diesel engines require a balanced mixture of water and antifreeze. Drain and replace the mixture 1 year or every 2,000 hours of operation, whichever comes first. This will eliminate buildup of harmful chemicals.

Antifreeze is essential in any climate. It broadens the operating temperature range by lowering the coolant's freezing point and by raising its boiling point. Do not use more than 50% antifreeze in the mixture unless additional antifreeze protection is required. Never use more than 60% antifreeze under any condition.

Types of Antifreeze

Ethylene Glycol - DOOSAN Genuine Antifreeze Solution
(for all seasons)

Ethylene glycol is a very hazardous material to human beings, animals and environment. Drain of coolant must be disposed of by an authorized waste material treatment service provider.

The color does not provide a standard. Unauthorized coolant may have the same color. Please check the label on the container. Use genuine product.

IMPORTANT

Do not mix solutions from different manufacturers. Otherwise, the performance may be deteriorated. It is recommended to use the standard product from DOOSAN.

In extreme temperatures, the performance of the coolant must be checked frequently and the coolant change cycle adjusted as necessary.

Engine parts that are made of aluminum are quickly worn out by nitrite, and therefore you should make sure to use nitrite-free coolant.

Antifreeze Concentration Tables

| Ethylene Glycol - DOOSAN Genuine Antifreeze Solution (for all seasons)
(2,000 Hour/1 Year) | | |
|-----------------------------------------------------------------------------------------------|---------------|------------|
| Ambient Temperature | Cooling Water | Antifreeze |
| -20°C (-4°F) | 67% | 33% |
| -25°C (-13°F) | 60% | 40% |
| -30°C (-22°F) | 56% | 44% |
| -40°C (-40°F) | 50% | 50% |

NOTE: The concentration shall be kept at 50% and in worst case at 30% minimum for the least corrosion resistance.

NOTE: Replacement cycle of the DOOSAN Genuine Product is 2,000 hours or one year.

Table of Standards for Allowed Tap Water

| Requirement | | | | | |
|-------------|--------------------|----------|----------------|--------------|-----------|
| Item | Inorganic chloride | Sulfates | Total Hardness | Total Solids | Acidity |
| Value | < 40 ppm | < 50 ppm | < 9.5° d.H | < 340 ppm | 5.5 - 9.0 |

PPM (Parts Per Million) - Unit of concentration of minor materials.

- 1 ppm = 1 mg/1 kg, 1 mL/1 L

° d.H - Unit of concentration of minor materials.

- 1° d.H = 17 ppm



CAUTION

AVOID INJURY

The standard of tap water is for reference only, and may not be regarded as a standard.

If quality of the water is not trustable, stop using tap water whenever possible and use distilled water.

HANDLING OF ACCUMULATOR



AVOID DEATH OR SERIOUS INJURY

Even though the engine is stopped, the hydraulic accumulators for the pilot, brake and LIS system are still charged. Do not disconnect any hoses until accumulator pressure has been released from the circuit. To release pressure, turn the starter switch to "I" (ON) position and operate pilot control valve lever and brake pedal. Even though the engine is stopped, components actuated by hydraulic pressure may move while releasing pilot pressure. Keep all personnel and bystanders away from machine while performing this operation.

- Set pilot cutoff switch to "O" (OFF) position after stopping engine.
- Do not mishandle accumulators. They contain high-pressure nitrogen gas.
- Do not punch a hole or apply heat or fire to accumulators.
- Do not weld on accumulators, or try attaching anything to them.
- When replacing an accumulator, contact a DOOSAN distributor to ensure that gas is properly released.
- Wear safety goggles and protective gloves when working on an accumulator. Hydraulic oil under pressure can penetrate the skin and cause serious injuries.

Pilot Accumulator

Release pilot accumulator pressure using the following procedure:

1. Lower bucket or work tool to ground.
2. Stop engine.
3. Set pilot cutoff switch on "I" (ON) position.
4. Turn starter switch to "I" (ON) position.
5. Fully move pilot control valve lever in all directions.
6. Set pilot cutoff switch on "O" (OFF) position.
7. Turn key to "O" (OFF) position and remove from starter switch.
8. Remove accumulator by unscrewing it slowly.

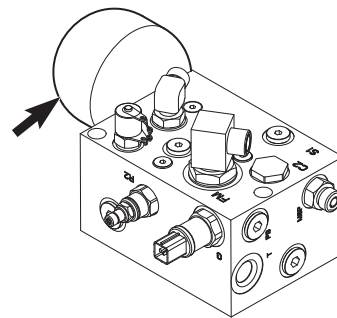


Figure 148

WL1300224

Brake Accumulators

Release brake accumulators pressure using the following procedure:

1. Lower bucket or work tool to ground.
2. Stop engine.
3. Repeatedly press brake until brake oil pressure warning light turns "ON". Press the pedal another eight (8) to nine (9) times.
4. Remove accumulator by unscrewing it slowly.

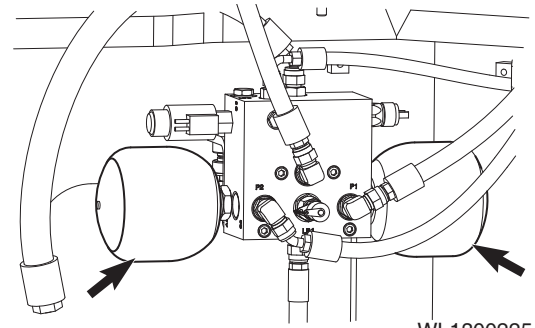


Figure 149

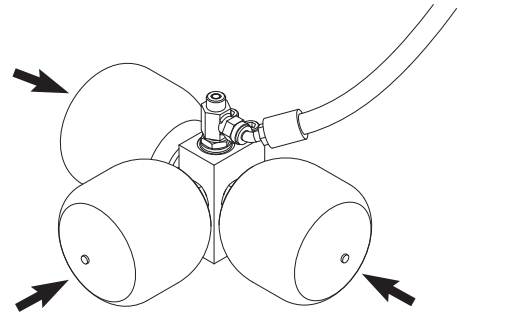


Figure 150

LIS Accumulator

Release LIS accumulator pressure using the following procedure:

1. Lower bucket or work tool to ground.
2. Stop engine.
3. Unscrew the drain valve shown in Figure 151.
4. Remove accumulator by unscrewing it slowly.

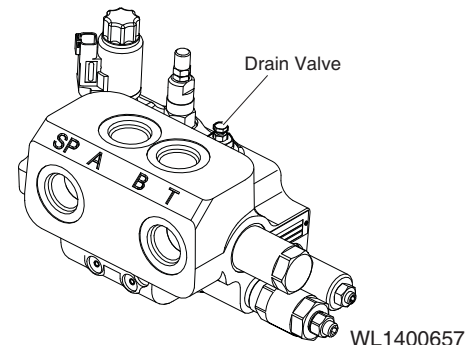


Figure 151

Steering Accumulator

Release steering accumulators pressure using the following procedure:

1. Position the machine in straight position, not articulated.
2. Lower front attachment (bucket) to ground.
3. Stop engine.
4. Allow enough time that steering cylinder pressure is decreasing by own internal leakage.
5. Remove accumulators by unscrewing them very slowly.

NOTE: *This also applies to the hoses related with accumulators.*

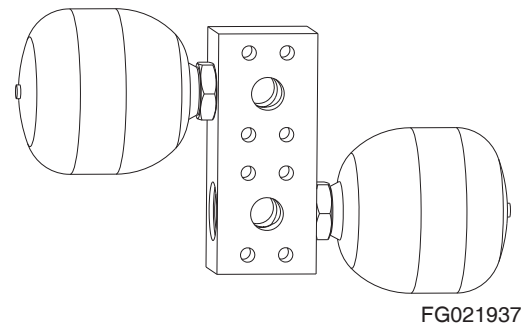


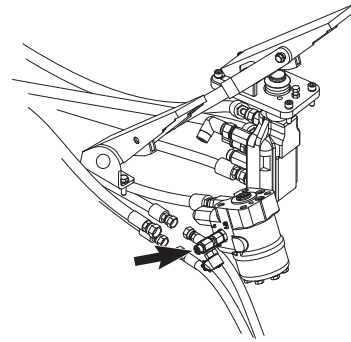
Figure 152

HYDRAULIC PRESSURE CHECKS

| Reference Number | Description | Pressure |
|------------------|------------------------------------------|-------------------------------------------------------------------------------------------------------------------------------------|
| 1 | Steer Pump Load Sensing Pressure (TPSLS) | At relief: 189 +5 kg/cm ² (185 +5 bar (2,683 +73 psi))
At idle: 5 ±5 kg/cm ² (5 ±5 bar (73 ±73 psi)) |
| 2 | Pilot Supply Pressure (TP) | 31 ±2 kg/cm ² (30 ±2 bar (435 ±29 psi)) |
| 3 | Main Pump Pressure (TPM) | At relief: 280 ±10 kg/cm ² (275 ±10 bar (3,989 ±145 psi))
At idle: 20 ±5 kg/cm ² (20 ±5 bar (290 ±73 psi)) |
| 4 | Brake Charging Pressure (G) | 102 ~ 163 kg/cm ² (100 ~ 160 bar (1,450 ~ 2,321 psi)) |
| 5 | Steer Pump Pressure (TPS) | At relief: 280 ±10 kg/cm ² (275 ±10 bar (3,989 ±145 psi))
At idle: 25 ±5 kg/cm ² (25 ±5 bar (363 ±73 psi)) |
| 6 | Transmission Clutch Pressure (TM) | 16 ~ 18 kg/cm ² (16 ~ 18 bar (232 ~ 261 psi)) |
| 7 | Main Pump Load Sensing Pressure (TPMLS) | At relief: 280 ±10 kg/cm ² (275 ±10 bar (3,989 ±145 psi))
At idle: 0 ±5 kg/cm ² (0 ±5 bar (0 ±73 psi)) |

Steering Pump Load Sensing Pressure

1. Attach gauge to port.
2. Adjust relief valve cartridge on amplifier (Figure 153). Cartridge must be adjusted to open at: 189 +5 kg/cm² (185 +5 bar (2,683 +73 psi)).
3. Unscrew remove plug and washer. Adjust screw that is beneath plug. Turn screw clockwise to raise relief pressure. Turn screw counterclockwise to lower relief pressure. One turn varies 65 kg/cm² (64 bar (925 psi)).
4. Install plug and washer after pressure has been adjusted.

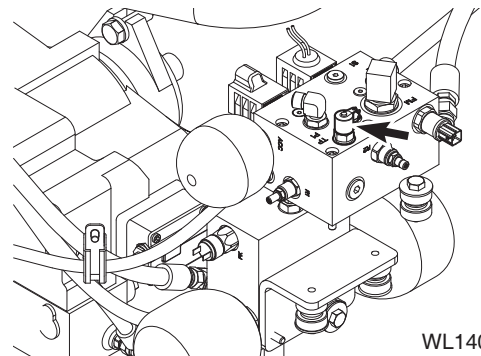


WL1300216

Figure 153

Pilot Supply Pressure

1. Attach gauge to port.
2. Adjust relief cartridge (Figure 154) on brake and pilot and fan motor supply valve. Pressure must be set at: 31 ±2 kg/cm² (30 ±2 bar (435 ±29 psi)).
3. Loosen locknut on adjusting screw. Turn adjusting screw clockwise to raise relief pressure. Turn adjusting screw counterclockwise to lower relief pressure.
4. Tighten locknut after adjustment.
5. If the pressure doesn't change, the maximum current value of pump control must be changed by DMS.



WL1400658

Figure 154

Main Pump Pressure

1. Attach gauge to port (Figure 155).
2. Pressure cutoff setting for main pump:
 $280 \pm 10 \text{ kg/cm}^2$ ($275 \pm 10 \text{ bar}$ ($3,989 \pm 145 \text{ psi}$)).

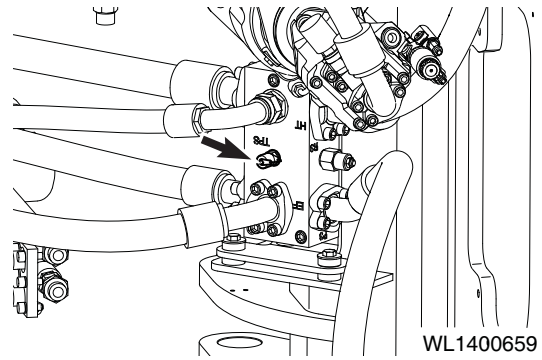


Figure 155

Brake Charging Pressure

1. Attach gauge to port.
2. Adjust relief valve cartridge on brake, pilot and fan motor supply valve (Figure 156). The minimum set pressure (Figure 156) for brake charging is:
 $102 \sim 163 \text{ kg/cm}^2$ ($100 \sim 160 \text{ bar}$ ($1,450 \sim 2,321 \text{ psi}$)).

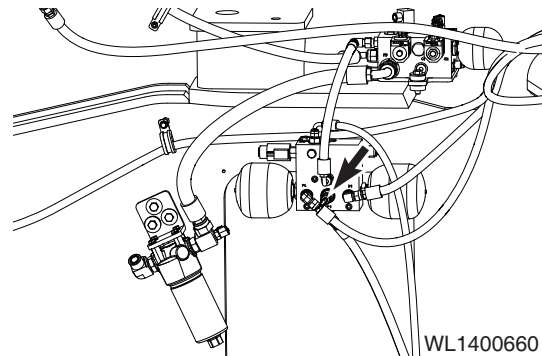


Figure 156

Steering Pump Pressure

1. Attach gauge to port (Figure 157).
2. Pressure cutoff setting for steering pump:
 $280 \pm 10 \text{ kg/cm}^2$ ($275 \pm 10 \text{ bar}$ ($3,989 \pm 145 \text{ psi}$)).

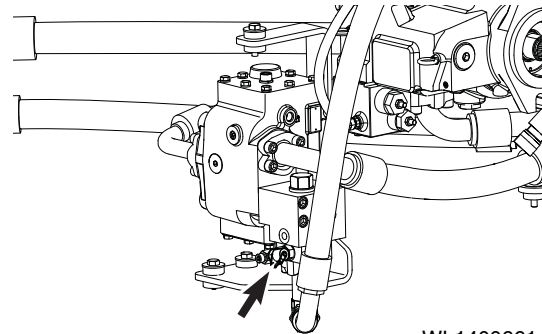


Figure 157

Transmission Clutch Pressure

1. Attach gauge to port (Figure 158).
2. Clutch pressure cannot be adjusted.

NOTE: *Transmission clutch pressure is 16 ~ 18 kg/cm² (16 ~ 18 bar (232 ~ 261 psi)).*

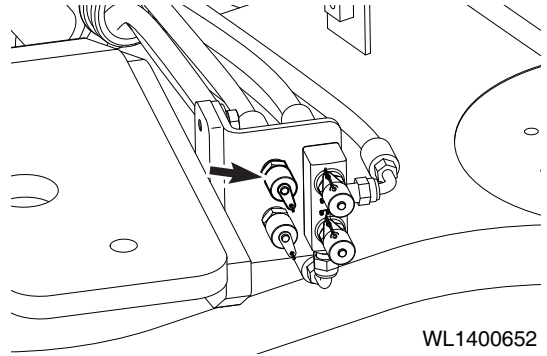


Figure 158

WL1400652

Main Pump Load Sensing Pressure

1. Attach gauge to port (Figure 159).
2. Pressure setting for main pump is:
280 ±10 kg/cm² (275 ±10 bar (3,989 ±145 psi)).
3. Adjust screw on main pump pressure regulator (Figure 159). Loosen locknut and turn screw clockwise to raise pressure cutoff setting. Turn screw counterclockwise to lower pressure cutoff setting.
4. Tighten locknut after pressure has been adjusted.

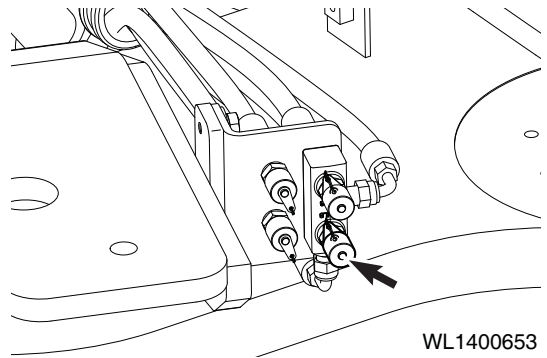


Figure 159

WL1400653

Fan Motor Pressure and Fan Speed

| | Minimum Speed | Maximum Speed |
|--------------------|-------------------------------------------------------|--------------------------------------------------------------|
| Fan Speed | 500 ±100 rpm | 1,200 ±50 rpm |
| Fan Motor Pressure | 25 ±5 kg/cm ²
(25 ±5 bar (363 ±73 psi)) | 127 ±10 kg/cm ²
(125 ±10 bar (1,813 ±145 psi)) |
| Fan Pump Pressure | 30 ±5 kg/cm ²
(30 ±5 bar (435 ±73 psi)) | 153 ±10 kg/cm ²
(150 ±10 bar (2,176 ±145 psi)) |
| Control Current | 530 ±50 mA | 230 ±25 mA |

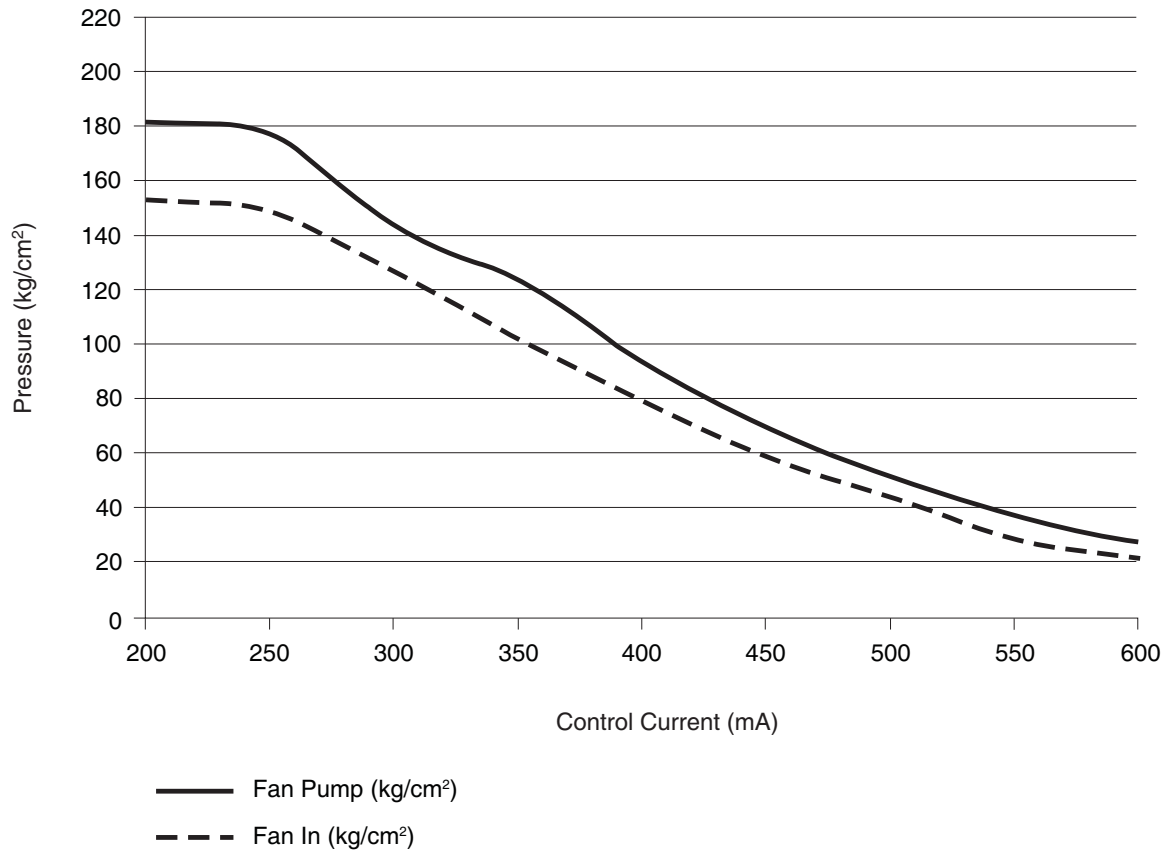
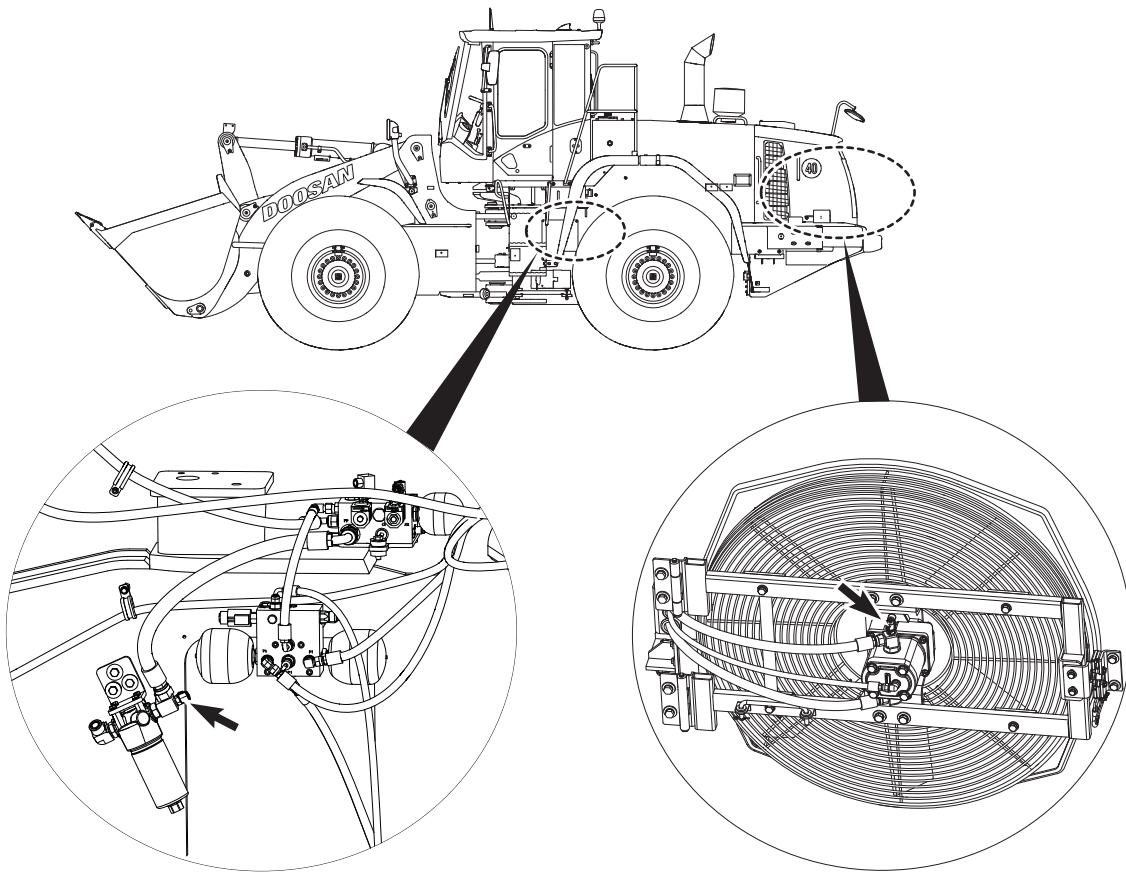


Figure 160

WL1400662



WL1400663

Figure 161

Checking Maximum Fan Speed, Checking

1. Open the radiator grille to connect the pressure gauge.
2. Connect the pressure gauge to the pressure port shown in Figure 161.
3. Check the maximum pressure by pressing accelerator pedal to "HIGH IDLE", and reading the pressure on gauge.

NOTE: *Maximum fan motor pressure: 127 ± 10 kg/cm² (125 ± 10 bar ($1,813 \pm 145$ psi)) (The fan speed is approximately $1,200 \pm 50$ rpm at this pressure)*

4. If fan speed requires adjusting, adjust control current by DMS.

LONG TERM STORAGE

Cleaning

Pressure wash machine. Inspect machine for any damage or missing parts. Drive machine to check steering linkage for damage.

Hydraulic System

Start engine and allow it to idle for a few minutes. Drive machine around for two - three minutes. Raise and lower boom two - three (2-3) times. Crowd and dump bucket two - three times. This will circulate hydraulic fluid through all hydraulic systems.

Lubrication

Perform all daily maintenance procedures listed in this section (Section 4.) Grease all grease fittings in steering linkage. Apply a coating of light oil to all exposed cylinder rods. Apply a coating of light oil to all control linkages and all control valve spools. Check condition of oil coating each month and add to coating where necessary.

(If equipped) Everyday, turn on the central lubrication pump over 1 cycle (approximately 10 minutes). Use the lubrication switch in cabin.

Battery

Disconnect cables from battery, or remove battery from machine. If battery is removed, fully charge battery and store it.

Cooling System Care

If cooling system does not need antifreeze and is filled with water only, add an antirust additive. If temperatures below freezing are expected, add antifreeze to protect system to level of cold expected. See antifreeze protection Table 4-1. Use a hydrometer to check level of antifreeze protection once each month. If desired, cooling system can be completely drained. If system is drained, place a sign in operator's cabin to warn operator there is no coolant in engine.

PARKING BRAKE ADJUSTMENT

Emergency Release of Parking Brake

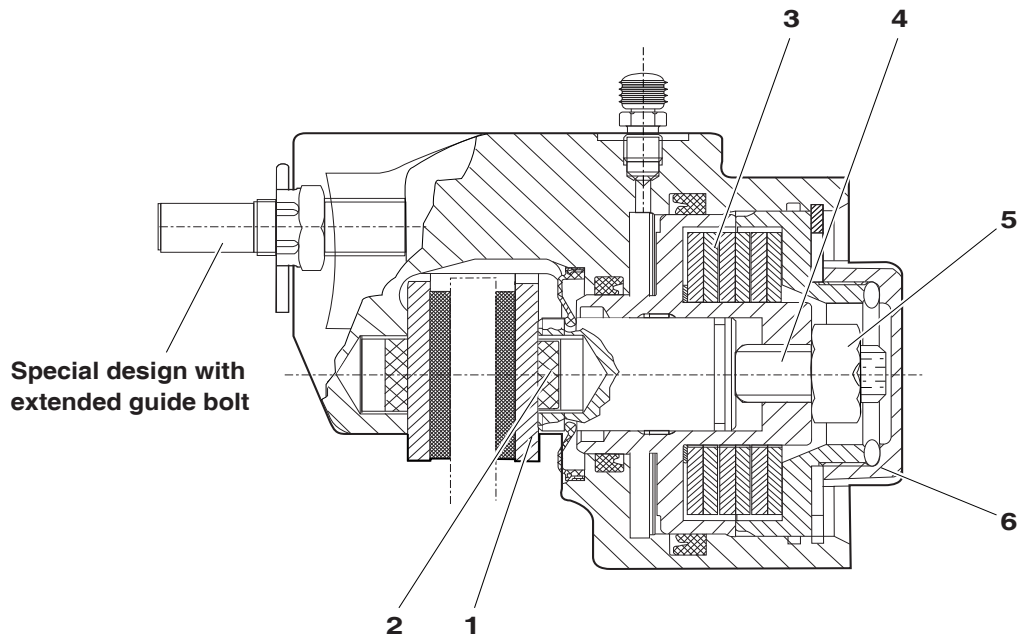
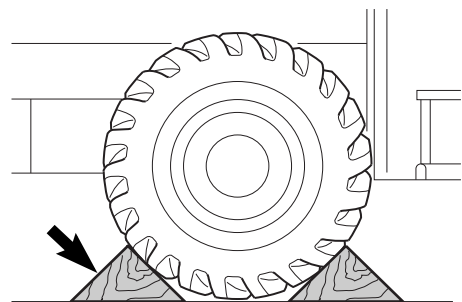


Figure 162

FG015078

If the parking brake cannot be released by normal hydraulic system pressure, or if the engine will not start, it must be manually released before towing can take place.

1. Before releasing parking brake make sure that wheels have wheel chocks placed in front of and behind them, to prevent machine from moving when parking brake is released.



2876A

Figure 163

2. Release the screw cap (6, Figure 162) and unscrew.
3. Release the locknut (5, Figure 162) and turn the adjusting screw (4) counterclockwise until brake disk is free.
4. Install locknut (5, Figure 162) and screw cap (6) and tighten both as far as possible. This will protect the parking brake assembly from dirt.

NOTE: *The machine does not have any brake function and must be secured, by proper means, against moving. Before putting the machine into operation again, the brake has to be properly adjusted according to specifications.*

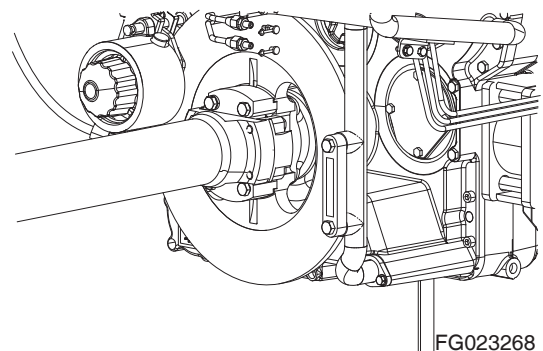


Figure 164

Adjustment Procedure for Parking Brake

During this adjusting process, the parking brake must be released, (i.e. the bank of cup springs (3, Figure 162) must be completely pretensioned).

1. Park vehicle on an even surface and place wheel chocks in front of and behind tires. Then release the parking brake.
2. Release the screw cap (6, Figure 162) and unscrew.
3. Release the locknut (5, Figure 162) (size 24 or 30) and turn the adjusting screw (4) with socket wrench (size 8 or 10) clockwise until two brake pads (1) and (2) contact the brake disk.
4. Turn the adjusting screw (4, Figure 162) counterclockwise and set the clearance specified in the following table.

| Type | Adjusting Screw | Clearance (mm) | | Revolutions |
|-------|-----------------|-----------------|-----|-------------|
| Small | M 16 (size 8) | Minimum | 0.5 | 1/4 |
| | | Rated Clearance | 1.0 | 1/2 |
| | | Maximum | 1.5 | 3/4 |
| Large | M 20 (size 10) | Minimum | 1.0 | 2/5 |
| | | Rated Clearance | 2.0 | 4/5 |
| | | Maximum | 3.0 | 1 1/5 |

5. Hold the adjusting screw (4, Figure 162) in position with the hexagonal socket wrench and lock with the locknut (5).
6. Mount the screw cap (6, Figure 162) and manually tighten as far as possible.
7. Actuate the brake valve several times and check the braking efficiency of the parking brake on a slope.

SEVERE CONDITIONS MAINTENANCE

| Operating Condition | Required Maintenance |
|------------------------------------|-----------------------------------------------------------------------------------------------------------------------------------------------------------|
| Mud, Water, Rain, Snow | 1. Check for loose fittings, obvious damage to machine, or any fluid leakage. |
| | 2. After completing operations, clean mud, rocks, or debris from machine. Inspect for damage, cracked welds, or loosened parts. |
| | 3. Perform all daily lubrication and service. |
| | 4. If machine was working in or exposed to salt water or other corrosive materials, be sure to flush equipment with fresh water and dry areas completely. |
| Extremely Dusty or Hot Environment | 1. Clean engine air filter on a more frequent basis. |
| | 2. Clean radiator and oil cooler fins to remove dirt and dust. |
| | 3. Clean fuel system intake strainer and fuel filter more frequently. |
| | 4. Inspect starter motor and alternator, and clean as often as necessary. |
| Rocky Terrain | 1. Check wheels, tires, rims and valve stems for damage or excessive wear. |
| | 2. Inspect for loose or damaged fittings and bolts. |
| | 3. On a more frequent basis, inspect bucket and boom for damage or excessive wear. |
| | 4. Install a top guard and front guard as necessary for protection against falling objects. |
| Extreme Cold | 1. Use proper grade of fuel for cold temperatures. |
| | 2. Use a gauge to check antifreeze to be sure that it will provide protection for coldest temperature expected. |
| | 3. Use a hydrometer to check condition of batteries. In extremely cold weather, remove batteries at night and store them in a warm area. |

TIRES

Inflating Tires

Recommended tire pressures should normally be followed. Special operations may justify a different pressure. In such cases, follow the instructions from the tire manufacturer and do not exceed the maximum permissible pressures, See page 5-114.

The tire pressure may have been raised before the machine was delivered from the factory. Therefore, check and adjust the tire pressure according to recommendations, before putting the machine in operation for the first time.



WARNING

AVOID DEATH OR SERIOUS INJURY

Repair work on tires and rims must be done by service persons who have been properly trained for this.

The instructions below apply to an inflated tire where the pressure needs to be increased. If the tire has lost all pressure, a trained service person must be contacted.

- When checking the air pressure, the tire must be cold and the machine must not have a load.
- Ask all other persons to leave the danger area (in front of the rim).
- Stand by the tire tread. Tire installed on a split rim can explode causing death or serious injury. (Figure 165)
- Use a long air hose (with a self-attaching air chuck) which allows you to stand outside the danger area.
- Tires on stored wheels (spare wheels) must be kept laying down on their side and only be inflated sufficiently to keep the rim parts in position.

Wheel Nut, Tightening Check

After having changed a tire or if the wheel has been removed and installed for any other reason, the wheel bolts must be checked for tightness after eight hours of operation.

Tighten wheel nuts to 85 kg•m (615 ft lb).

Wheel Nut Torque

Tighten wheel nuts to 85 kg•m (615 ft lb).



WARNING

AVOID DEATH OR SERIOUS INJURY

If a wheel and tire must be removed from machine and replaced, or if a tire must be replaced on wheel, use only experienced and trained service personnel. A tire rim could be propelled off wheel and cause death or serious injury. See Figure 165.

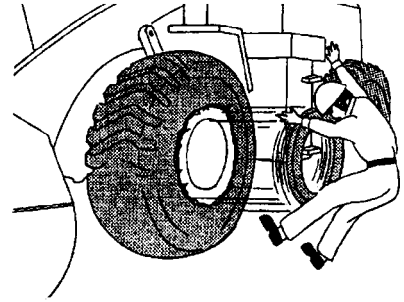


Figure 165

2853A

Check Tire for Damage



WARNING

AVOID DEATH OR SERIOUS INJURY

Improper servicing or changing tires and rims can cause explosion resulting in death or serious injury.

Do not service or change tires and rims unless properly trained and equipped.

Contact your DOOSAN distributor or tire manufacturer's local dealer for tire servicing or changing.



WARNING

AVOID DEATH OR SERIOUS INJURY

Overheated tires can explode causing death or serious injury.

If an overheated tire is suspected, keep away at least 15m (50 ft).

Stay away until tire and rim cools down.

If the following problems are found in tires, the tires must be replaced with new tires.

For the replacement contact DOOSAN distributor or a tire manufacturer's local dealer.

- Bead wire is broken or bent, or the tire is greatly deformed.
- Wear is excessive and the carcass ply (including breaker) is exposed for more than 1/4 of the circumference.
- Damage to the carcass exceeds 1/3 of the tire width.
- Tire layers are separated.
- Radial cracks reach the carcass.
- Deformation or damage which makes the tire unsuitable for use.

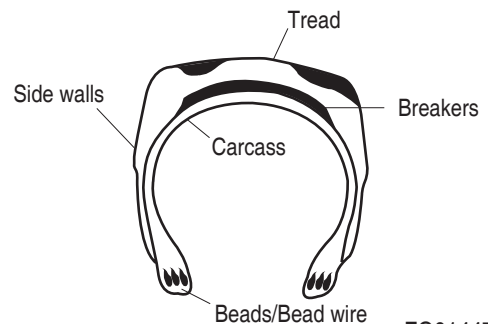


Figure 166

FG014479

Recommended Air Pressure

| Tire | Working Pressure | | Driving Pressure | | Remarks |
|-----------------|-----------------------------------------------------------------------------------------------------------------------------------------|-----------------------------------------------------------------------------------------------------------------------------------------|-----------------------------------------------------------------------------------------------------------------------------------------|-----------------------------------------------------------------------------------------------------------------------------------------|---------|
| | Front Tire | Rear Tire | Front Tire | Rear Tire | |
| Bias Ply Tire | 4.1 ^{+0.1} ₊₀ kg/cm ²
(4.1 ^{+0.1} ₊₀ bar
(60 ⁺² ₊₀ psi)) | 3.5 ^{+0.1} ₊₀ kg/cm ²
(3.5 ^{+0.1} ₊₀ bar
(50 ⁺² ₊₀ psi)) | 4.1 ^{+0.1} ₊₀ kg/cm ²
(4.1 ^{+0.1} ₊₀ bar
(60 ⁺² ₊₀ psi)) | 3.5 ^{+0.1} ₊₀ kg/cm ²
(3.5 ^{+0.1} ₊₀ bar
(50 ⁺² ₊₀ psi)) | |
| Radial Ply Tire | 3.5 ^{+0.1} ₊₀ kg/cm ²
(3.5 ^{+0.1} ₊₀ bar
(50 ⁺² ₊₀ psi)) | 3.1 ^{+0.1} ₊₀ kg/cm ²
(3.1 ^{+0.1} ₊₀ bar
(44 ⁺² ₊₀ psi)) | 3.5 ^{+0.1} ₊₀ kg/cm ²
(3.5 ^{+0.1} ₊₀ bar
(50 ⁺² ₊₀ psi)) | 3.1 ^{+0.1} ₊₀ kg/cm ²
(3.1 ^{+0.1} ₊₀ bar
(44 ⁺² ₊₀ psi)) | |

The recommended tire pressures are based on the rated load for each handling case.

In case of heavier loads, especially during loading and carrying operations, a higher tire pressure is required. Contact the tire manufacturer for information about which air pressure is the correct one for the load to be handled and transported over a particular distance.

If L5 tires are used for loading and carrying operations, special attention must be paid to the transporting distances.

Radial tires are preferred for loading and carrying operations, as the build-up of heat is less with this type of tire.

TRANSMISSION RECALIBRATION

NOTE: *The transmission must be recalibrated after every oil change. This is to ensure that clutch packs are engaging properly.*

The recalibration of the transmission clutches and the electronics of the transmission must be performed at specific times.

It is recommended that AEB Setting be run when:

1. Oil is changed in the transmission per operator's manual.
2. Replacement of the Transmission Control Unit (TCU).
3. Replacement of the transmission.
4. If there is a problem with the shifting quality of the transmission.

The AEB Setting has the task to compensate tolerances (plate clearance and pressure levels) which are influencing the filling procedure of the clutches. For each clutch, the correct filling parameters are determined in one cycle for:

1. Period of the quick-filling time.
2. Level of the filling compensating pressure.

The filling parameters are stored, with the AEB Program and the driving program, in the Transmission Control Unit (TCU). Since the TCU is a separate component, the AEB-cycle must be started only after the installation of transmission and TCU in the machine, thus insuring the correct programing between the transmission and the electronics. Call the nearest DOOSAN distributor to ask about correct AEB setting.

Transportation

When transporting the machine, observe all laws regarding weight, width, height and length of towing vehicle, trailer and load. Use a towing vehicle and trailer of adequate length and capacity.

Check the travel route for road width, overpass clearances, weight restrictions. Special approval or permits may be required.

TRANSPORTING MACHINE

WARNING

AVOID DEATH OR SERIOUS INJURY

When transporting the machine, know the width, height, length, and weight.

When loading or unloading the machine, make sure to run the engine at the lowest speed setting and travel at the slowest speed possible.

Machine must be operated by a qualified operator.

Make sure that ramp being used can handle the weight of the machine. If required, add blocking under the ramp for additional support.

Make sure that ramp surface is free of grease, debris, or mud that could cause the machine to slip or slide.

Make sure that trailer is parked on firm, and level ground before attempting to load/unload the machine.

Never correct your steering on the ramps. There is a danger that the machine may tip over. If necessary, drive off the ramps or back on to the bed of the trailer and correct the direction.

Make sure to secure the machine onto the trailer as required by local transportation laws and regulations.

1. Make sure that trailer is parked on firm and level ground. See Figure 1.
2. Make sure that ramps that are being used are designed to handle the weight of the machine. If required, add blocking under the ramp to provide additional support.
3. The ramp angle must be less than a 15° angle. Ramps steeper than this can cause traction or stability problems when loading or unloading.

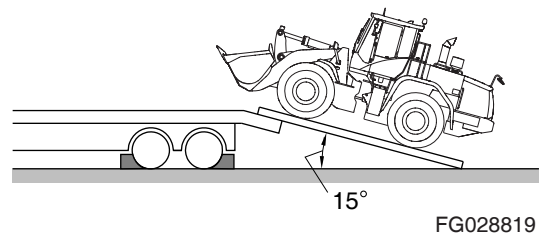


Figure 1

FG028819

4. Set the travel direction toward the ramps and drive slowly for loading.
5. Load the machine correctly in the specified position on the trailer.
6. Set parking brake switch to "I" (ENGAGED) position. (Figure 2).

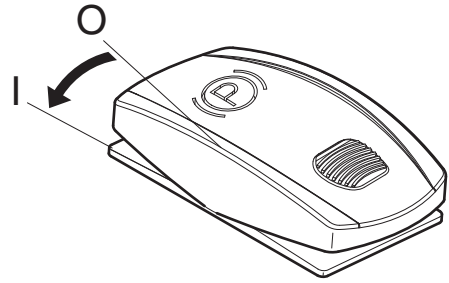


Figure 2

WL1300285

7. Lower bucket or work tool slowly on the trailer.
8. Set pilot cutoff switch to "O" (LOCKED) position. (Figure 3).

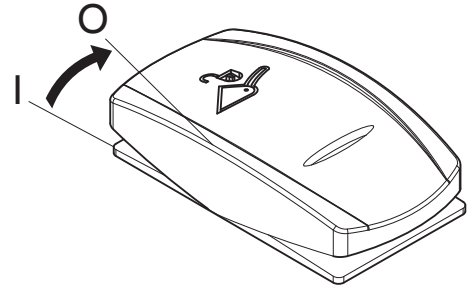


Figure 3

FG028821

9. Stop engine by turning key to "O" (OFF) position (Figure 4).
10. Remove key from starter switch.

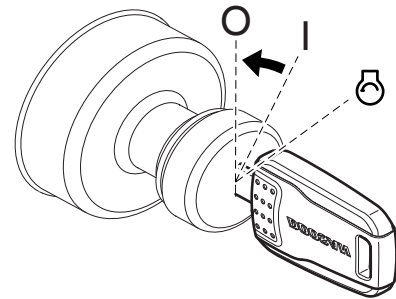


Figure 4

FG018156

11. Install articulated frame lock. (Figure 5).

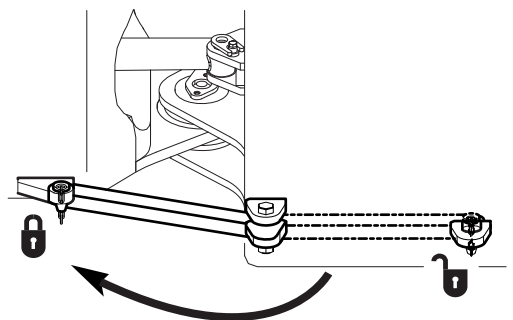


Figure 5

FG028839

12. Turn battery disconnect switch to "OFF" direction (Figure 6).
13. Lock all doors and covers.
14. Adjust direction of rotating beacon and TMS antenna.

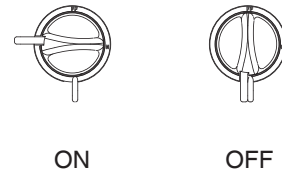


Figure 6

FG020630

15. Make sure to secure the machine onto the trailer before transporting. Use the wheel chocks (1, Figure 7) supplied with the machine to secure machine. See "Wheel Chocks" on page 3-94. Tie front and rear tie down point (3, Figure 8) on the frame with wire cables or chains as required by local transportation regulations.

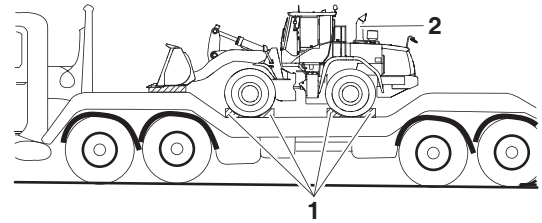


Figure 7

FG028820

IMPORTANT

When tying down the machine, ensure machine does not come into contact with cables and chains. Machine can be damaged by inappropriate tie down method. Do not use the cylinder as tie down points.

16. Refer to "Specification" section of this manual for overall machine height and width dimensions. Make sure to position the excavator as shown. If not transported in this position, the height measurements may be different.

NOTE: *To avoid air being forced down the exhaust pipe when transporting, it must be covered with suitable protection (2, Figure 7) (not plastic). This will prevent turbocharger damage.*

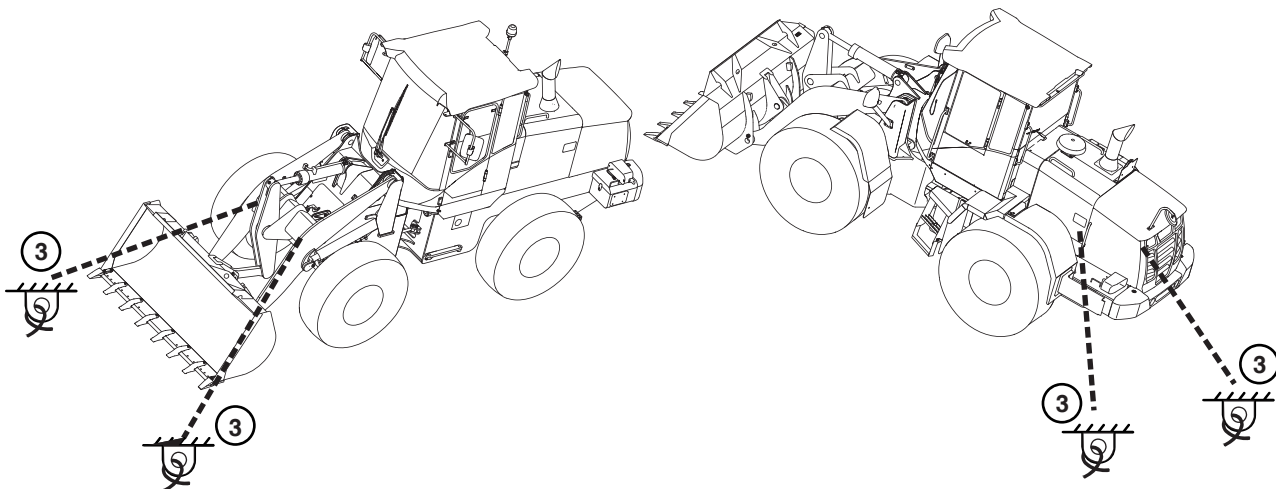
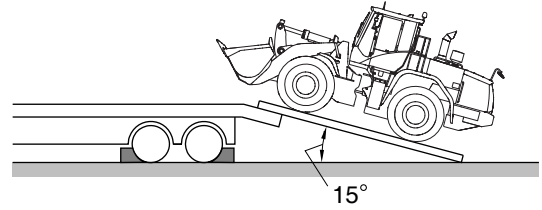


Figure 8

FG028822

Unloading

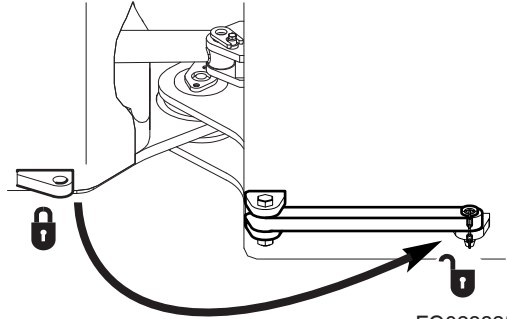
1. Make sure that trailer is parked on firm and level ground. See Figure 9.
2. Make sure that ramps that are being used are designed to handle the weight of the machine. If required, add blocking under the ramp to provide additional support.
3. The ramp angle must be less than a 15° angle. Ramps steeper than this can cause traction or stability problems when loading or unloading.



FG028819

Figure 9

4. Remove wheel chocks and tie down wire cables.
5. Set articulated frame lock to "UNLOCK" position.
6. Turn battery disconnect switch to "ON" direction.
7. Start the engine.
8. Set pilot cutoff switch to "I" (UNLOCKED) position.
9. Set parking brake switch to "O" (DISENGAGED) position.
10. Drive machine slowly for unloading.



FG028835

Figure 10

LIFTING MACHINE



WARNING

AVOID DEATH OR SERIOUS INJURY

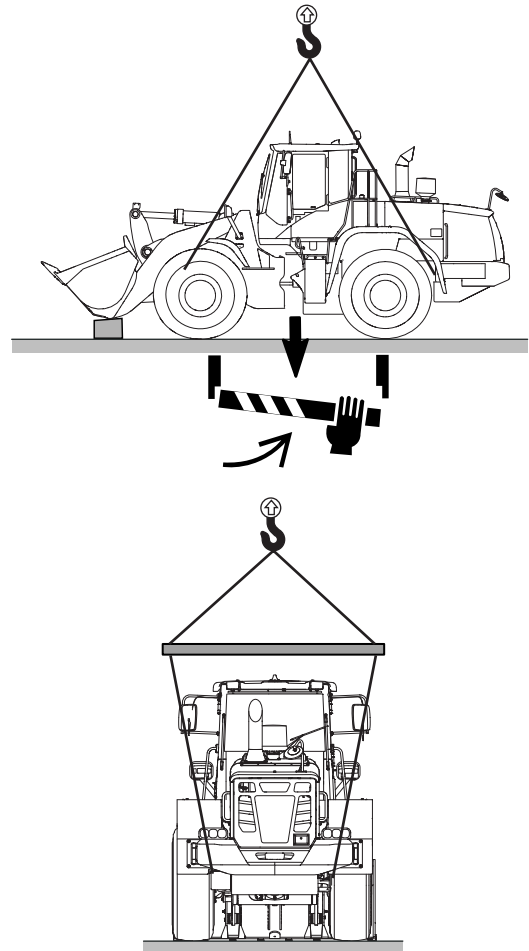
Never lift the machine with a person in the cabin or on the machine.

Never enter the area under or around a raised machine.

Improper lifting can allow load to shift and cause death or serious injury or property damage.

Do not use handrails or ladders to lift the machine.

1. Refer to "Specification" section of this manual for weight and dimensional information. Machine weight may vary with optional equipment.
2. Place the machine on firm and level ground. Engage parking brake and lock the work equipment.
3. Stop engine and remove key.
4. Install articulated frame lock before lifting the machine. (Figure 10).
5. Secure any equipped attachments.
6. Always lift the machine as shown Figure 11. Use lifting point provided on machine.
7. Use properly rated cables, slings and fixtures. Use lifting cables that are long enough to prevent contact with the machine. Spreader bars may be required.
8. Place protective material between the cables and the machine to prevent damage.
9. The maximum angle between the cables must not exceed 45°.
10. While machine is lifted, keep the machine horizontal and lift the machine slowly to keep it balanced.



FG028823

Figure 11

Troubleshooting

Whenever an operating problem with the machine occurs, take corrective action immediately by checking for the cause of the problem.

If the cause of the operating problem cannot be determined, contact your DOOSAN distributor. Never perform an adjustment or the disassembly of the hydraulic, electrical or electronic components without first contacting a DOOSAN distributor.



WARNING

AVOID DEATH OR SERIOUS INJURY

Instructions are necessary before operating or servicing machine. Read and understand the Operation & Maintenance Manual and signs (decals) on machine. Follow warnings and instructions in the manuals when making repairs, adjustments or servicing. Check for correct function after adjustments, repairs or service. Untrained operators and failure to follow instructions can cause death or serious injury.

NOTE: (If equipped) See "Troubleshooting" in "Auto Grease System" on page 4-58.

BRAKING

| Problem | Cause | Remedy |
|-------------------------------------------------------|--------------------------------------------------------|--------------------------------|
| Reduced brake action. | Low secondary pressure in brake valve. | Repair or replace brake valve. |
| | Worn brake disks. | Replace brake disks. |
| | Damaged brake disks. | Replace brake disks. |
| | Damaged brake valve block. | Replace valve. |
| | Air in brake hydraulics because of leak in brake hose. | Repair leak, bleed system. |
| After bleeding brakes, brakes are not fully released. | Damaged brake disks. | Replace disks. |
| | Damaged brake disk return spring. | Replace return springs. |

ELECTRICAL SYSTEM

| Problem | Cause | Remedy |
|---------------------------------|-------------------------------|---------------------------------|
| Battery will not hold a charge. | Low battery power. | Clean and retighten. |
| | Alternator belt loose or bad. | Tighten or replace belt. |
| | Loose or corroded terminals. | Tighten or replace as required. |
| | Alternator faulty. | Repair or replace as required. |
| Low battery power. | Internal battery short. | Replace battery. |
| | Short-circuit in wiring. | Repair as required. |

ENGINE

| Problem | Cause | Remedy |
|------------------------------------------------------|----------------------------------------------|-------------------------------------------------------------------|
| Starter does not operate. | Low battery power. | Charge battery. |
| | Poor terminal contact. | Clean and tighten connections. |
| | Starter switch failed. | Replace switch. |
| | Starter controller failed. | Replace controller. |
| | Wiring harness faulty. | Replace harness. |
| | Battery relay failed. | Replace relay. |
| | Blown fuse. | Replace fuse. |
| Starter engages, engine does not start. | Fuel gelled in cold weather. | Replace fuel. |
| | Fuel filters plugged. | Replace filters. |
| | Water or dirt in fuel system. | Drain water, clean or replace the fuel filter and new fuel. |
| | Air in fuel system. | Purge air from system. |
| | Engine stop control failed. | Contact your DOOSAN dealer. |
| | Blown fuse. | Replace fuse. |
| Engine starts, runs only at low speed or shuts down. | Engine oil viscosity incorrect. | Change oil. |
| | Clogged or dirty fuel injectors. | Contact your DOOSAN dealer. |
| | Fuel filters plugged. | Replace filters. |
| | Exhaust system after-treatment parts faulty. | Check connectors and clean DEF (AdBlue) filter or replace filter. |
| | Low DEF (AdBlue) level. | Add DEF (AdBlue). |

| Problem | Cause | Remedy |
|------------------------------------------------------------------|----------------------------------------------|-------------------------------------------------------------------|
| Engine knocks, runs unevenly or surges. | Low engine oil. | Add oil. |
| | Plugged air intake system. | Clean system and replace filter. |
| | Plugged fuel filter. | Replace fuel filter. |
| | Water or dirt in fuel system. | Clean system and add new fuel. |
| | Clogged or dirty fuel injectors. | Contact your DOOSAN distributor. |
| Engine has poor power. | Plugged air intake system. | Clean system and replace filter. |
| | Clogged or dirty fuel injectors. | Contact your DOOSAN distributor. |
| | Fuel filters plugged. | Replace filters. |
| | Valve backlash faulty. | Adjust backlash. |
| | Exhaust system after-treatment parts faulty. | Check connectors and clean DEF (AdBlue) filter or replace filter. |
| | Low DEF (AdBlue) level. | Add DEF (AdBlue). |
| Engine runs hot. | Low coolant level. | Add coolant. |
| | Thermostat faulty. | Replace thermostat. |
| | Radiator cap faulty. | Replace radiator cap. |
| | Radiator core plugged. | Clean radiator. |
| | Oil cooler core plugged. | Clean oil cooler. |
| | Fan belt loose or damaged. | Tighten or replace as required. |
| | Temperature sensor faulty. | Replace sensor. |
| Engine oil pressure warning light turns "ON", and buzzer sounds. | Low engine oil level. | Add oil. |
| | Wrong grade oil for weather. | Change oil. |
| | Clogged oil filter. | Change filter and oil. |
| | Defective alarm switch. | Contact your DOOSAN distributor. |
| | Oil leakage from pipe or joint. | |
| | Clogged suction strainer. | |
| | Excessive engine wear. | |
| | Defective oil pump. | |

| Problem | Cause | Remedy |
|-------------------------------------------------------------------------------------------------|---------------------------------------------|--------------------------------------|
| Coolant temp. warning light turns "ON". | Low engine coolant level. | Add coolant. |
| | Loose/slipping/broken fan belt. | Adjust or replace belt. |
| | Clogged radiator fins. | Clean. |
| | Scale or mineral build up inside radiator. | Flush or professionally clean. |
| | Defective alarm switch (gauge is in green). | Contact your DOOSAN distributor. |
| | Low water pump flow. | |
| | Thermostat stuck or missing. | |
| Engine does not start when the starter motor is turning. (Also see ELECTRICAL TROUBLESHOOTING.) | Fuel filter clogged. | Replace fuel filter. |
| | Starter motor speed too low. | Booster Battery may be used. |
| | Defective engine shutoff solenoid. | Contact your DOOSAN distributor. |
| | Fuel pump failure. | |
| | Incorrect fuel injection timing. | |
| | Compression pressure too low. | |
| | Defective injectors. | |
| Unstable (rough) idling. | Air in fuel lines. | Tighten fuel connections and filter. |
| | Fuel filter clogged. | Replace fuel filter. |
| | Fuel pump failure. | Contact your DOOSAN distributor. |
| | Incorrect fuel injection timing. | |
| Insufficient power. | Air cleaner clogged. | Clean or replace element. |
| | Fuel filter clogged. | Replace fuel filter. |
| | Engine oil level too high. | Check dipstick and correct level. |
| | Incorrect valve clearance. | Contact your DOOSAN distributor. |
| | Piston ring wear. | |
| | Defective injectors. | |
| | Fuel pump failure. | |

HYDRAULIC SYSTEM

| Problem | Cause | Remedy |
|--------------------------------------------------------|------------------------------------------------|----------------------------------|
| None of the controls function (loud noise from pumps). | Hydraulic pump failed. | Contact your DOOSAN dealer. |
| | Low hydraulic oil level. | Add hydraulic oil as required. |
| | Suction line plugged or damaged. | Clean or replace as required. |
| None of the controls function (no noise from pumps). | Pilot pump failure. | Contact your DOOSAN distributor. |
| | Cutoff solenoid valve failed. | Replace solenoid. |
| | Relief cartridge of pilot parking valve stuck. | Clean or replace as required. |
| | Safety Limit Switch is ON. | Adjust Limit Switch clearance. |
| All actuators have low power. | Low hydraulic oil level. | Add hydraulic oil as required. |
| | Suction filter clogged. | Clean filter. |
| | Hydraulic pumps faulty. | Contact your DOOSAN distributor. |
| | Main relief pressure too low. | Contact your DOOSAN distributor. |
| | Hydraulic pumps cavitating. | Bleed air from hydraulic pumps. |
| Only one or two actuators have little or no power. | Overload relief pressure too low. | Reset pressure. |
| | Makeup check valve leaking. | Clean or replace as required. |
| | Control valve spool faulty. | Replace valve spool. |
| | Dirt in valve spool. | Clean or replace as required. |
| | Actuator failed. | Repair or replace as required. |
| | Cylinder seal failed. | Repair or replace as required. |
| | Cylinder rod damaged. | Repair or replace as required. |
| | Remote control valve failed. | Replace control valve. |
| | Wrong pilot line connection. | Reconnect pilot lines. |
| Oil temperature too high. | Debris in exterior of cooler. | Clean exterior of cooler. |
| | Oil cooler faulty. | Contact your DOOSAN distributor. |
| | Fan belt loose. | Tighten fan belting as required. |

| Problem | Cause | Remedy |
|--------------------------------------------------------------------|--------------------------------------------------|-------------------------------------|
| Actuators on one side of boom have little power or do not operate. | Overload relief valve is not operating properly. | Repair valve or replace. |
| | Damaged hydraulic hose. | Replace hose. |
| | Loose hydraulic fittings. | Tighten fittings. |
| | Internal damage to control valve housing. | Replace control valve. |
| | Control valve spool damaged. | Replace control valve. |
| | Sediment inside control valve. | Clean and repair valve. |
| | Check valve internal leakage. | Repair or replace valve. |
| | Damaged cylinder or pump. | Repair or replace pump or cylinder. |
| | Cylinder internal leakage. | Repair or replace cylinder. |
| | Damaged cylinder rod. | Replace rod. |
| | Pilot valve failure. | Replace pilot valve. |

STEERING

| Problem | Cause | Remedy |
|--------------------------------------------------------|--------------------------------------------------------------------------|-----------------------------|
| Steering wheel is hard to turn. | Sediment blocking direction change spool orifice, inside priority valve. | Clean and repair. |
| | Sediment blocking amplifying spool orifice, inside priority valve. | Clean and repair. |
| | Sediment blocking load sensing line orifice, inside priority valve. | Clean and repair. |
| | Priority valve spool sticking, inside steering valve. | Clean and repair. |
| | Incorrect relief valve pressure drop, inside priority valve. | Adjust pressure. |
| | Steering pump failure. | Repair or replace. |
| | Leaking steering cylinder. | Repair cylinder. |
| | Rust on steering column bearing and spline. | Lubricate. |
| | Tire air pressure is low. | Inflate to proper pressure. |
| High initial resistance to movement of steering wheel. | Air in load sensing line, inside priority valve. | Bleed system to remove air. |
| | Sediment blocking orifice of load sensing line, inside priority valve. | Clean and repair. |
| | Sediment in direction change spool, inside priority valve. | Clean and repair. |
| | Damage to control spring damping inside priority valve. | Replace priority valve. |
| Steering wheel shakes. | Bearing chattering in axle end differential. | Replace bearing. |
| | Tire pressure not equal in left side and right side tires. | Equalize tire pressure. |

TRAVEL SYSTEM

General

| Problem | Cause | Remedy |
|-------------------------------------------|-------------------------------------------------------------------|-----------------------------------|
| Machine will not travel. | Transmission clutch pressure incorrect. | Adjust pressure. |
| | Transmission charge pump damaged. | Replace pump. |
| | Damage to transmission control valve wiring harness. | Repair wiring. |
| | Burned travel relay or fuse. | Replace relay or fuse. |
| | Forward/Reverse solenoid for transmission control valve sticking. | Clean and repair. |
| | Damaged transmission clutch. | Repair or replace clutch. |
| | Damaged driveshaft. | Repair or replace. |
| | Damaged transmission or axle. | Repair or replace. |
| | Wheel brakes not releasing. | Repair brakes. |
| | Parking brake not releasing. | Repair parking brake. |
| Machine will travel but has little power. | Fluid pressure low in transmission clutch. | Repair clutch. |
| | Transmission fluid low. | Add fluid. |
| | Damage to torque converter. | Repair or replace. |
| | Engine malfunction. | See Engine Troubleshooting Table. |
| | Brake valve. | Disassemble and clean. |
| Unusual transmission noise. | Low transmission fluid, or low quality fluid. | Add fluid or change fluid. |
| | Worn transmission parts. | Replace parts. |
| | Broken gears or bearings. | Replace parts. |
| Transmission fails to operate. | Damaged transmission clutch disks. | Replace disks. |
| | Damaged wires in transmission control wire harness. | Repair wires. |

| Problem | Cause | Remedy |
|----------------------------------------------|----------------------------------|---------------------------------------------|
| Driveshaft vibration Noisy universal joints. | Bent driveshaft. | Replace driveshaft. |
| | Loose universal joints. | Tighten bolts that secure joints. |
| | Worn or damaged universal joint. | Replace universal joint. |
| | Loose universal joints. | Tighten bolts that secure universal joints. |
| | Lack of lubrication. | Lubricate universal joints. |
| | Worn slip joint spline. | Replace slip joint. |
| Noisy Front or Rear Axle. | Worn or broken gears. | Replace gears. |
| | Low oil level, poor quality oil. | Add oil, change oil. |
| | Worn bearings. | Replace bearings. |
| | Worn shaft spline. | Replace spline. |

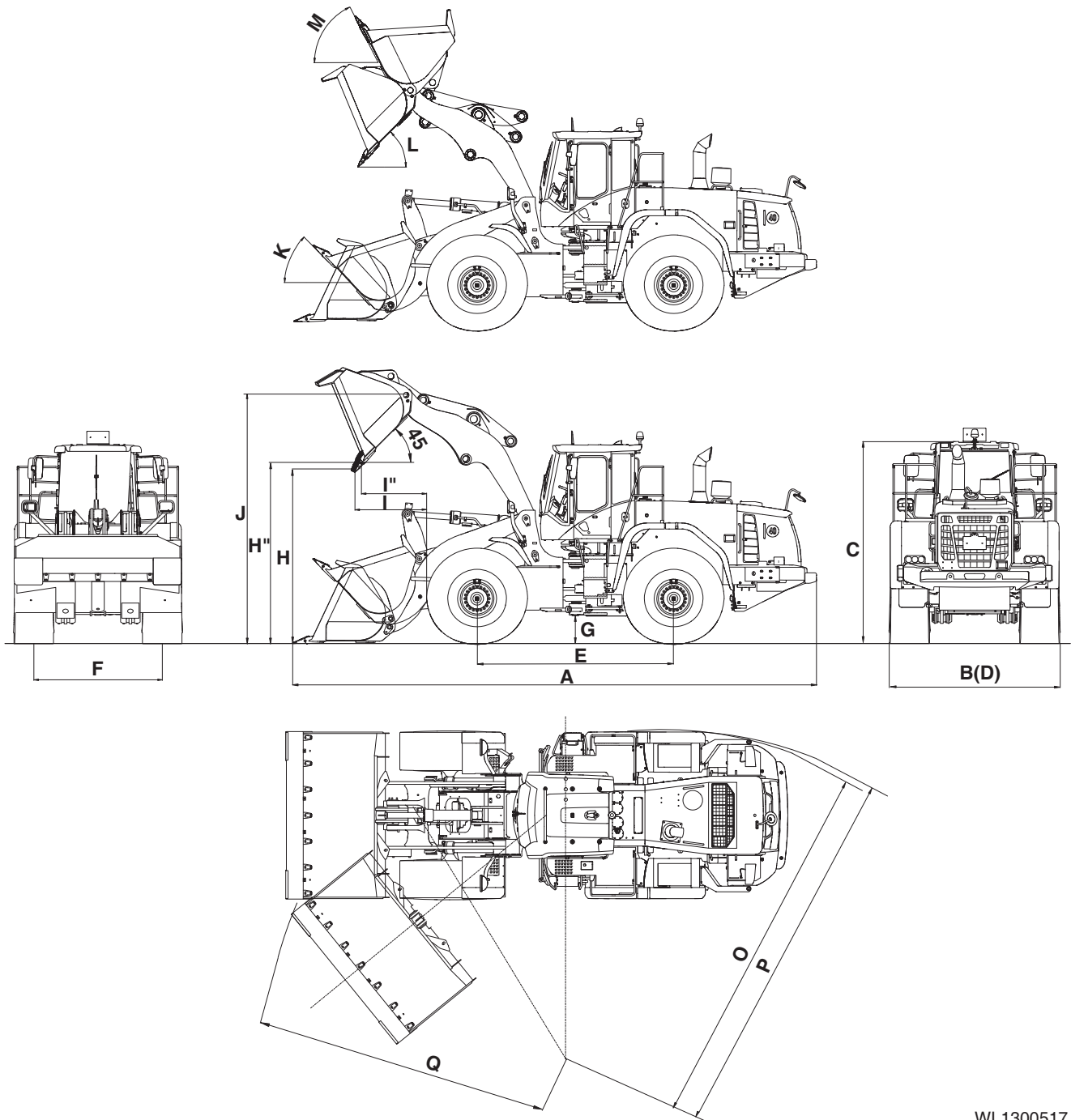
Specification

GENERAL SPECIFICATIONS

| Item | | Specification |
|------------------------------------------------|--------------------------|----------------------------------------------------------------------------------------------|
| Standard Bucket Capacity (BOT / BOC) | | 5.4 m ³ (7.1 yd ³) / 5.7 m ³ (7.5 yd ³) |
| Operating Weight | | 31,585 kg (69,633 lb) |
| Engine | | |
| Emission | | US EPA Tier 4 (EU Stage IV) |
| Maker and Model | | DC 13 |
| Type | | 4-Cycle Water Cooled, Variable Geometry Turbocharge, Air to Air Intercooled Direct Injection |
| Injection System | | Extra high-pressure fuel injection system, XPI |
| Rated Gross Power | | 283 kW (380 HP) @ 1,800 rpm (SAE J1995) |
| Transmission | | |
| Full Automatic Power -Shift | | Full Automatic Power Shift |
| Speeds | | 4 Forward, 3 Reverse (Option 5 Forward, 3 Reverse) |
| Brake Systems | | |
| Travel Brakes | | 4 Wheel, Wet Disk |
| Parking Brake | | SAHR, Dry Disk Type |
| Performance | | |
| Travel Speed
km/h (MPH) | 4 speed | 6.3 (3.9) / 11.8 (7.3) / 18.6 (11.5) / 36 (22.4) |
| | 5 speed
Lock-Up (Opt) | 6.3 (3.9) / 11.8 (7.3) / 18.6 (11.5) / 25.9 (16.1) / 36 (22.4) |
| Steering Angle | | ±40° |
| Minimum Tire Turning Radius
(Out Tire Edge) | | 6,550 mm (21' 6") |
| Rated Operating Load | | 10,815 kg (23,843 lb) |
| Maximum Breakout Force (Bucket) | | 247 kN (55,528 lb.f) |
| Arm Raise Time | | 6.4 ±0.5 Sec. |
| Bucket Dump Time | | 1.4 ±0.3 Sec. |
| Arm Lowering Time | | 4.2 ±0.4 Sec. |
| Maximum Gradeability | | 30° (58%) |

WORKING RANGE AND DIMENSIONS

Figure 1, illustrates exterior machine dimensions and working range of machine when it is equipped with a standard bucket.



WL1300517

Figure 1

| Category | | Dimension | | | |
|-----------------------------------------|------|--------------------------|--------------------------|--------------------------|--------------------------|
| Tire Size | | 29.5R25 (L3) | | 29.5-25-22PR (L3) | |
| Bucket | | 5.4 m ³ (BOT) | 5.7 m ³ (BOC) | 5.4 m ³ (BOT) | 5.7 m ³ (BOC) |
| Overall Length | (A) | 9,870 mm
(32' 5") | 9,680 mm
(31' 9") | 9,870 mm
(32' 5") | 9,680 mm
(31' 9") |
| Overall Width | (B) | 3,405 mm
(11' 2") | | | |
| Overall Height | (C) | 3,785 mm
(12' 5") | | 3,800 mm
(12' 6") | |
| Bucket Width | (D) | 3,405 mm
(11' 2") | | | |
| Wheel Base | (E) | 3,700 mm
(12' 2") | | | |
| Tread | (F) | 2,420 mm
(7' 11") | | | |
| Ground Clearance | (G) | 480 mm
(1' 7") | | 495 mm
(1' 7") | |
| Dump Height, at 45°
(to BOT / BOC) | (H) | 3,285 mm
(10' 9") | 3,405 mm
(11' 2") | 3,265 mm
(10' 9") | 3,385 mm
(11' 1") |
| Dump Height, at 45°
(to Bucket edge) | (H") | 3,490 mm
(11' 5") | | 3,470 mm
(11' 5") | |
| Dump Reach, at 45°
(to BOT/ BOC) | (I) | 1,365 mm
(4' 6") | | 1,380 mm
(4' 6") | |
| Dump Reach, at 45°
(to Bucket Edge) | (I") | 1,535 mm
(5' 0") | 1,400 mm
(4' 7") | 1,535 mm
(5' 0") | 1,400 mm
(4' 7") |
| Bucket Hinge Height | (J) | 4,795 mm
(15' 9") | | 4,810 mm
(15' 9") | |
| Maximum Tilt Angle at Carry | (K) | 48 ° | | | |
| Maximum Dump Angle at Fully Raised | (L) | 47 ° | | | |
| Maximum Tilt Angle at Fully Raised | (M) | 67 ° | | | |
| Turning Radius | | | | | |
| (Outer Tire Edge) | (O) | 6,550 mm
(21' 6") | | | |
| (Counterweight Edge) | (P) | 6,525 mm
(21' 5") | | | |
| (Bucket Edge) | (Q) | 7,565 mm
(24' 10") | 7,515 mm
(24' 8") | 7,565 mm
(24' 10") | 7,515 mm
(24' 8") |

WORKING CAPACITIES

Bucket Capacity

Standard toothed bucket has a capacity of 5.4 m³ (7.1 yd³).

Stability Data (EN - and ISO - Norms)

[Unit: kg (lb)]

| Bucket Mount | Pin On | Remark |
|----------------------------------------------|-------------------------------------|------------------------------------------------------------------------------------------------------------|
| Configuration | Bolt-on Tooth (5.4 m ³) | * Base On 29.5R25 (L3) |
| Lifting Capacity @ Max. Height | 12,310 (27,139) | ** This data is applicable on firm and level ground. |
| Static Tipping Load @ Max. Reach - Straight | 24,490 (53,991) | *** Do not lift the load which exceeds legal "Rated Operating Load" when you work with the specific tools. |
| Static Tipping Load @ Max. Reach - Full Turn | 21,625 (47,675) | |
| Rated Operating Load | 10,815 (23,843) | |

APPROXIMATE WEIGHT OF WORKLOAD MATERIALS

IMPORTANT

Weights are approximations of estimated average volume and mass. Exposure to rain, snow or groundwater; settling or compaction because of overhead weight and chemical or industrial processing or changes because of thermal or chemical transformations could all increase value of weights listed in table.

Material Weight

The data below describes weight of a cubic meter (cubic yard) of many types of workload materials.

| Material | Density
1,200 kg/m ³
(2,000 lb/yd ³),
or less | Density
1,500 kg/m ³
(2,500 lb/yd ³),
or less | Density
1,800 kg/m ³
(3,000 lb/yd ³),
or less | Density
2,100 kg/m ³
(3,500 lb/yd ³),
or less |
|----------------------------------|-------------------------------------------------------------------------------|-------------------------------------------------------------------------------|-------------------------------------------------------------------------------|-------------------------------------------------------------------------------|
| Charcoal | 401 kg/m ³
(695 lb/yd ³) | - | - | - |
| Coke, blast furnace size | 433 kg/m ³
(729 lb/yd ³) | - | - | - |
| Coke, foundry size | 449 kg/m ³
(756 lb/yd ³) | - | - | - |
| Coal, bituminous slack, piled | 801 kg/m ³
(1,350 lb/yd ³) | - | - | - |
| Coal, bituminous r. of m., piled | 881 kg/m ³
(1,485 lb/yd ³) | - | - | - |
| Coal, anthracite | 897 kg/m ³
(1,512 lb/yd ³) | - | - | - |
| Clay, DRY, in broken lumps | 1,009 kg/m ³
(1,701 lb/yd ³) | - | - | - |
| Clay, DAMP, natural bed | - | - | 1,746 kg/m ³
(2,943 lb/yd ³) | - |
| Cement, portland, DRY granular | - | - | 1,506 kg/m ³
(2,583 lb/yd ³) | - |
| Cement, portland, DRY clinkers | - | 1,362 kg/m ³
(2,295 lb/yd ³) | - | - |
| Dolomite, crushed | - | - | 1,522 kg/m ³
(2,565 lb/yd ³) | - |
| Earth, loamy, DRY, loose | - | 1,202 kg/m ³
(2,025 lb/yd ³) | - | - |

| Material | Density
1,200 kg/m³
(2,000 lb/yd³),
or less | Density
1,500 kg/m³
(2,500 lb/yd³),
or less | Density
1,800 kg/m³
(3,000 lb/yd³),
or less | Density
2,100 kg/m³
(3,500 lb/yd³),
or less |
|------------------------------------|--------------------------------------------------------------------------------------|--------------------------------------------------------------------------------------|--------------------------------------------------------------------------------------|--------------------------------------------------------------------------------------|
| Earth, DRY, packed | - | - | 1,522 kg/m ³
(2,565 lb/yd ³) | - |
| Earth, WET, muddy | - | - | 1,762 kg/m ³
(2,970 lb/yd ³) | - |
| Gypsum, calcined, (heated, powder) | 961 kg/m ³
(1,620 lb/yd ³) | - | - | - |
| Gypsum, crushed to 3 inch size | - | - | 1,522 kg/m ³
(2,565 lb/yd ³) | - |
| Gravel, DRY, packed fragments | - | - | - | 1,810 kg/m ³
(3,051 lb/yd ³) |
| Gravel, WET, packed fragments | - | - | - | 1,922 kg/m ³
(3,240 lb/yd ³) |
| Limestone, graded above 2 | - | 1,282 kg/m ³
(2,160 lb/yd ³) | - | - |
| Limestone, graded 1-1/2 or 2 | - | 1,362 kg/m ³
(2,295 lb/yd ³) | - | - |
| Limestone, crushed | - | - | 1,522 kg/m ³
(2,565 lb/yd ³) | - |
| Limestone, fine | - | - | 1,602 kg/m ³
(2,705 lb/yd ³) | - |
| Phosphate, rock | - | 1,282 kg/m ³
(2,160 lb/yd ³) | - | - |
| Salt | 929 kg/m ³
(1,566 lb/yd ³) | - | - | - |
| Snow, light density | 529 kg/m ³
(891 lb/yd ³) | - | - | - |
| Sand, DRY, loose | - | - | 1,522 kg/m ³
(2,565 lb/yd ³) | - |
| Sand, WET, packed | - | - | - | 1,922 kg/m ³
(3,240 lb/yd ³) |
| Shale, broken | - | 1,362 kg/m ³
(2,295 lb/yd ³) | - | - |
| Sulfur, broken | 529 kg/m ³
(891 lb/yd ³) | - | - | - |

Index

Numerics

1,000 Hour / 6 Month Service 4-72
1,500 Hour / 9 Month Service 4-87
10 Hour / Daily Service 4-36
12,000 Hour / 6 Year Service 4-95
2,000 Hour / Yearly Service 4-89
250 Hour / Monthly Service 4-51
3rd FNR Control Switch 2-70
50 Hour / Weekly Service 4-46
500 Hour / 3 Month Service 4-62

A

Accelerator Pedal 2-9
Access Method 2-38
Accumulator 1-48, 4-94
 Brake 4-102
 LIS 4-102
 Pilot 4-101
Accumulators 4-101
AEM Safety Manual (North America Only) 0-3
After Storage 3-35
Air Cleaner Clogged Warning Light 2-20
Air Conditioner
 Filter 4-70, 4-79
 Refrigerant 4-81
Air Conditioner Inner Filter - Clean 4-70
Air Intake System 4-43
 Change Inner Air Cleaner Filter 4-89
 Change Outer Air Cleaner Filter 4-62, 4-89
 Check Engine Air Precleaner 4-42
Antifreeze Concentration Tables 4-100
Arm Angle Sensor Switch 3-27
Arm Rest 2-90
Arrival Inspections and Delivery Instruction 4-4
Asbestos Information 1-63
Attachment 1-35
Auto Grease System 3-36
 Maintenance 3-55
 Pump Display and Control Elements of Control
 Screen 3-45
 Pump Display Mode 3-49
 Pump Programming 3-51
 Troubleshooting 3-58
Automatic Warming Up Operation 3-10
Avoid Mixing Lubricants 4-3
Axle

Brake Disk Wear 4-89
Differential 4-70
Planetaries 4-70, 4-87

B

Battery 1-50
 Condition 4-97
 Long Term Storage 4-108
Battery Disconnection 1-10
Battery Explosion 1-7
Battery Hazard Prevention 1-50
Before Engine Starting 1-25
Before Service Instructions 4-16
Before Storage 3-34
Belt Tension 4-58
Bleeding the Fuel System 4-75
Boost Starting or Charging Engine Batteries 1-30
Brake Pedal 2-10
Brakes
 Accumulator 4-94
 Axle Brake Disk Wear 4-89
 Bleeding 4-93
 Brake Fluid Warning Light 2-20
 Brake Pedal 2-10
Bucket
 Angle Indicator 3-27
 Capacity 7-4
 Position Switch 3-28
 Teeth and Side Cutters 4-42
Bucket Angle Sensor Switch 3-28
Burn Prevention 1-43

C

Cabin Light 2-73
Call Button 2-64
Capacities
 Fluid 4-29
Change DEF (AdBlue) Breather Filter 4-76
Change DEF (AdBlue) Filter 4-77
Charging Indicator Light 3-15
Check Drained Oil and Used Filter 4-2
Check Oil Bath Precleaner (Optional) 3-12
Check Tire Pressure and Condition 1-26
Checks After Inspection and Maintenance Works 4-3

- Checks and Maintenance After Stopping Engine 3-17
- Checks Before Starting Engine 3-4
- Cigar Lighter 2-67
- Circuit Breaker 2-93
- Clean Exterior of Radiator, Oil Cooler and Air Conditioner Evaporator 4-69
- Clean Oil Bath Precleaner (Optional) 4-60
- Clock 2-35
- Combination Switch 2-8
- Component Locations 2-2
- Compressed Air 1-48
- Conditions - Severe Maintenance 4-111
- Coolant and Water for Dilution 4-13
- Coolant Temperature 3-14
- Cooling System
 - Care 4-108
 - Coolant Level 4-41
 - Engine 4-98
 - Radiator Coolant 4-90
- Correction of Machine Problems 1-17
- Cracks and Faulty Welds 4-43
- Crushing and Cutting 1-17

D

- Deep Digging 1-55
- DEF (AdBlue) 4-12
- DEF (AdBlue) Tank 4-40
- Delete Warning Pop-up 2-37
- Differential Lock Button (Manual / Optional) 2-16
- Digging Beneath Overhangs 1-33
- Digging Beneath Wheel Loader 1-33
- Digging Under an Overhang 1-55
- Digital Clock 2-35
- Disassembling Precautions 1-41
- Display Selector Button 2-23
- Display Warning Symbols 2-28
- Disposal of Hazardous Materials 1-64
- Do Not Drop Things Inside Machine 4-2
- Door Side Latch 2-89
- DOOSAN Genuine Lubricants 4-1
- DOOSAN Genuine Replacement Parts 4-1
- Down Arrow Button 2-22
- Driveshaft - Grease 4-58
- Drop-off or Edge 1-55
- During Storage 3-35
- Dusty Work Site 4-2

E

- ECO Gauge 2-27
- Electric Steering
 - Control Unit (Optional) 2-69
 - High/Low Switch (Optional) 2-16
 - Joystick 2-71

- Selector Switch 2-70
- Electric Welding Attention 1-9
- Electrical 1-19
- Electrical System 4-97
 - Box 2-74
 - Maintenance 4-14
 - Troubleshooting 6-2
- Electrical System and Electrical Shock 1-22
- Emergency Steering
 - Indicator Light 2-21
- Emission Control System 3-13
- Engine
 - Adjustment 4-79
 - Centrifugal Oil Cleaner 4-67
 - Coolant Temperature Gauge 2-25
 - DEF (AdBlue) Level Gauge 2-26
 - Drive Belt 4-86
 - Engine Warning Light 2-29
 - Fuel Filter Change 4-73
 - Oil and Filter 4-49
 - Oil Change 4-65
 - Oil Filter Change 4-66
 - Oil Level Check 4-36
 - Oil Pressure Warning 2-29
 - rpm Meter 2-26
 - Serial Number 4-23
 - Stalls While Traveling 3-21
 - Start 3-6
 - Starting and Stopping 3-2
 - Stop 1-37
 - Stopping 3-15
 - Transmission Oil Temperature Gauge 2-25
 - Transmission Warning Light 2-29
 - Troubleshooting 6-2
- Engine Oil Pressure 3-15
- Entanglement in Rotating Parts 1-7
- Enter Checking Mode 2-36
- Entering/Leaving/Climbing the Machine 4-7
- Environment and Circumstances 1-55
- Equipment Lowering with Engine Stopped 1-35
- Escape (ESC) Buttons 2-38
- Exhaust Ventilation 1-63

F

- F/R (Forward/Reverse) Control Switch 2-68
- F/R (Forward/Reverse) Selector Switch 2-67
- F/R (Forward/Reverse) Travel Control System 3-24
- Fan Blade Inspection 4-42
- Federal Emission Control Systems 0-6
- Filter
 - Air Conditioner 4-70
- Filters 4-14
- Finger Tip Lever (Optional) 2-54
- Fire and Explosion Prevention 1-18, 1-42

- Fire Extinguisher and First-Aid Kit (Emergency Medical Kit) 1-22
- Fire Prevention Measures 4-18
- Fluid Capacities 4-29
- Flying or Falling Objects 1-16
- FNR Lever (Standard) 2-53
- Foreword 0-1
- Fresh and Clean Lubricants 4-1
- Front Instrument Panel 2-17
- Front Keypad 2-13
- Fuel 4-10
 - Gauge 2-25
- Fuel Cap Filter 4-84
- Fuel Heater Switch (Optional) 3-11
- Fuel Strainer 4-2
- Fuel System
 - Change Water Separator 4-72
 - Condensation - Draining 4-40
 - Fill DEF (AdBlue) Tank 4-40
 - Refill 4-39
 - Tank - Cleaning 4-80
- Fuel Water Trap 4-59
- Fueling 1-20
- Fuse
 - Boxes 2-91
- Fusible Link 2-93

G

- Gauges 2-17
 - DEF Level Gauge 2-26
 - Engine Coolant Temperature Gauge 2-25
 - Fuel Gauge 2-25
 - Hour Meter 2-12
 - Multifunction Display 2-18
 - Speedometer 2-18
 - Transmission Oil Temperature Gauge 2-25
- General 1-14
- General Hazard 1-5
- General Specifications 7-1
- Go To Warning Display 2-36
- GP Setup 2-45
- Grease 4-13
 - Bearings 4-30
 - Front Attachment Pins 4-36, 4-46, 4-56
 - Steering Cylinder Rod and Head Ends 4-47
 - Upper and Lower Center Pins 4-48

H

- Handling Oil, Fuel, DEF (AdBlue) Coolant 4-10
- Hands-free Microphone 2-65
- Hazard Warning Light Switch 2-15
- Headlight Switch 2-59
- Heater and Air Conditioner
 - Additional Operating Instructions 2-81

- Control Panel 2-77
- Memory Function 2-81
- Heater and Air Conditioner Operation 2-76
- Heating Operator's Seat 2-84, 2-87
- High Beam Indicator Light 2-20
- High-pressure Lines, Tubes and Hoses 1-49
- High-voltage Cables 1-57
- Horn Button 2-7, 2-57
- Hot Coolant and Oils- Burn Prevention 1-18
- Hot Pressurized Fluid 1-9
- Hour Meter 2-12
- Hydraulic Hose Installation 4-3
- Hydraulic System 1-20
 - Air Breather Filter 4-82
 - Brake Charging Pressure 4-104
 - Check Oil Level 4-38
 - Draining Water 4-55
 - Fan Motor Pressure 4-106
 - Full Flow Filter - Change 4-83
 - Full Flow Filter - Replace 4-49
 - Hydraulic Oil - Change 4-91
 - Hydraulic Pressures 4-103
 - Leaks in the Hydraulic System 4-39
 - Long Term Storage 4-108
 - Main Pump Load Sensing Pressure 4-105
 - Main Pump Pressure 4-104
 - Pilot Supply Pressure 4-103
 - Steering Pump Load Sensing Pressure 4-103
 - Steering Pump Pressure 4-104
 - System Brake and Pilot Filter - Replace 4-64
 - Transmission Clutch Pressure 4-105
 - Troubleshooting 6-5
- Hydraulic System - Air Bleeding 4-3

I

- If a Fire Occurs 1-21
- Indicator Lights
 - Air Cleaner Clogged Warning Light 2-20
 - Auto Grease Fault Indicator Light (Optional) 2-20
 - Brake Fluid Pressure Warning Light 2-20
 - Charge Warning 2-29
 - Emergency Steering Indicator Light 2-21
 - Engine Oil Pressure Warning 2-29
 - High Beam Indicator Light 2-20
 - Left Turn and Hazard Warning Light 2-19
 - Mirror Heater Indicator Light 2-21
 - Parking Brake Indicator Light 2-19
 - Right Turn and Hazard Warning Light 2-19
 - Work Light Indicator Light 2-21
- Inspection Before Starting Engine 3-2
- Inspection, Maintenance and Adjustment 4-1
- Intended Use 0-4

- K**
Kick-down Button 2-11, 2-56, 2-70
Know Your Machine 1-14
- L**
Leaks in Fuel System 4-40
Leaks in Hydraulic System 4-39
Left Turn and Hazard Warning Light 2-19
Levers
 Adjusting the Seat Forward 2-83, 2-86
 Adjusting the Seat's Angle 2-86
 Angle Adjustment of Armrest 2-84
 Backrest Adjustment 2-83, 2-87
 Transmission Lever 2-11
 Weight Adjustment Knob 2-83, 2-86
Lift/Tie down (Optional) 1-11
Lifting and Digging 1-33
Lifting Machine 5-5
Loading and Unloading 1-53
Lock Inspection Covers 1-48
Locking the Inspection Covers 4-3
Long Term Storage 3-34, 4-108
Long-term Parking 1-52
Loose or Soft Ground 1-56
Lubricants 4-24
Lubrication 4-15
Lubrication and Service Chart 4-30, 4-32
- M**
Machine
 Serial Number 4-23
 Shutdown 3-25
 Travel 3-18
Machine Condition 1-25
Machine Setup Position for Maintenance 4-5
Maintenance 1-19, 1-38
Maintenance Handling Access 4-7
Maintenance Information 4-1
Maintenance Intervals 4-34
Material Weight 7-5
Methods and Precautionary Measures When
 Removing Paint 4-20
Mirror Heater Indicator Light 2-21
Mirrors for Damage and Adjust and Clean as
 Required Inspection 4-43
Mode Confirm Light 2-65
Mode Selector Button 2-64
Monitoring System 3-1
Mounting/Dismounting 1-26
Multifunction
 Gauge and Graphic Information Display Switch
 2-22
Multifunction Display 2-18
Multifunction Gauge 2-27
- Multifunction Gauge and Graphic Information
Display 2-22, 2-24
- N**
Never Use Ether Starting Aids 1-20
New Machine Break-in Procedures 3-1
- O**
Obey State and Local Over-the-Road Regulations
1-53
Oil 4-10
Operate a New Wheel Loader 3-1
Operation 1-19, 1-25
Operation at High Altitudes 1-62, 3-33
Operation During Electrical Storms 1-62, 3-33
Operation In
 Dusty and Sandy Areas 1-61, 3-31
 Extreme Cold 1-59, 3-29
 Extreme Conditions 1-59
 Extreme Heat 1-60, 3-30
 Rainy or Humid Conditions 1-62, 3-32
 Saltwater Areas 1-62, 3-32
Operation of Attachment 3-27
Operation on Slopes 1-34
Operational Hour Meter Reading 4-1
Operator Station 1-27
Operator's Area 2-5
Other Signal Words 0-3
- P**
Panels
 Heater and Air Conditioner Control Panel 2-77
Parking Brake
 Adjustment 4-109, 4-110
 Emergency Release 4-109
Parking Brake Indicator Light 2-19
Parking Brake Switch 2-58
Parking Machine 1-37
Password Activated 2-18
Personal Protective Equipment (PPE) 1-16
Pilot Control Valve Lever (Elec. Lever) (Optional) 2-
56
Pilot Cutoff Switch 2-58
Plug Heater (Optional) 3-11
Poor Visibility 1-56
Power Socket 2-67
Preparation for Electrical Welding On Body Structure
1-47
Preservation/Storing Machine 1-51
Pressurized Fluids 1-15
Pressurized Gas and Fluid 1-8
Preventing Risk of Injuries or Death From Boom and
 Bucket 1-35
Preventive Maintenance 4-22

Product Identification 0-5
Product Identification Number (PIN) 4-22
Product Information 0-4
Proper Tools and Clothing 1-41
Proper Work Tools and Attachments 1-14

R

Radio
 Speaker 2-74
Reaction at Low Reductant Level 3-13
Reaction to Failure in SCR System 3-13
Read Warning Message 2-37
Recommend Fuel, Coolant, and Lubricant 4-15
Relay 2-93
Right Side Switch Panel 2-52
Right Turn and Hazard Warning Light 2-19
Rollover Protective Structure (ROPS)/Falling Object
 Protective Structure (FOPS) 1-23
ROPS Certification 1-23
Rotating Fan 1-9
Rubber and Plastics 1-45, 4-21
Rubber That Contains Fluorides 1-44, 4-20

S

Safe Operation is Operator's Responsibility 1-14
Safety 1-1
Safety Decals 1-2
Safety Decals With Text 1-2
Safety Decals Without Text (No-Text) 1-3
Safety Messages 0-2
Safety Precautions 4-4
Seat Adjustment
 Adjusting the Seat Forward 2-83, 2-86
 Adjusting the Seat's Angle 2-86
 Angle Adjustment of Armrest 2-84
 Backrest Adjustment 2-83, 2-87
 Backrest Adjustment Lever 2-86
 Seat Height and Weight Adjustment 2-83
 Upper Backrest 2-84, 2-87
 Weight Adjustment 2-83, 2-86
Seat Belt 1-28, 2-88
Seat Belt Inspection 4-43
Selector Button 2-23
Service Points 4-9
Service Position 4-8
Shutdown
 Engine Stop 3-15
 Machine 3-25
Signal Words 0-2
Silica Dust Information 1-64
Sound 1-64
Speakers 2-74
Specification 7-1
Speedometer 2-18

Stability Data 7-4
Stand Keypad 2-59
Standard Bolt Torque Chart 4-96
Starter Switch 2-57
Starting Engine 1-31
Start-up
 Automatic Warming Up Operation 3-10
 Operational Checks Before Starting Engine 3-5
Steering
 Troubleshooting 6-7
 Wheel 2-10
Steering Console and Pedals 2-6
Steering Wheel Adjustment Lever 2-9
Stereo / CD Player (Optional) 2-82
Storage Compartments 2-74
Supports and Blocking for Work Equipment 1-49
Switches
 3rd FNR Control Switch 2-70
 Arm Angle Sensor Switch 3-27
 Bucket Angle Sensor Switch 3-28
 Combination Switch 2-8
 Differential Lock Button (Manual) 2-16
 Display Selector Button 2-23
 Down Arrow Button 2-22
 Electric Steering High/Low Switch (Optional) 2-16
 Electric Steering Joystick 2-71
 Electric Steering Selector Switch 2-70
 F/R (Forward/Reverse) Control Switch 2-68
 F/R (Forward/Reverse) Selector Switch 2-67
 Fuel Heater Switch (Optional) 3-11
 Hands-free Control Panel (Optional) 2-64
 Hazard Warning Light Switch 2-15
 Headlight Switch 2-59
 Horn Button 2-7
 Kick-down Button 2-11, 2-56, 2-70
 Multifunction Gauge and Graphic Information
 Display Switch 2-22
 Parking Brake Switch 2-58
 Pilot Cutoff Switch 2-58
 Power Socket 2-67
 Selector Button 2-23
 Starter Switch 2-57
 Up Arrow Button 2-22
Symbols
 DEF Low Level Warning symbol - EPA 2-30
 Description 2-41
 for Lubrication and Service Chart 4-31
 Indicator 2-32
 SCR System Warning Light 2-31
 Water In Fuel Warning 2-30

T

Tires 4-112

- Air Pressure 4-114
- Damage 4-113
- Inflating 4-112
- Wheel Nut, Tightening Check 4-112
- Towing 3-22
- Transmission
 - Lever 2-11
 - Oil - Drain and Change 4-78
 - Oil Filter Change 4-59, 4-78
 - Oil Level Check 4-37
 - Recalibration 4-115
 - Transmission Actual Gear 2-26
 - Transmission Select Gear 2-26
- Transportation 1-53, 5-1
- Transporting Machine 1-54, 5-1
- Travel System Troubleshooting 6-8
- Traveling 1-31
- Troubleshooting 6-1
 - Braking 6-1

U

- Ultra Low Sulfur Diesel Fuel (Optional) 1-12
- Underground Operation 1-57
- Unified Antenna 2-74
- Up Arrow Button 2-22
- Use of Lighting 1-42
- User Menu 2-38
- User Menu - Access and Escape Buttons 2-38

V

- Valve Clearance 4-69
- Vehicle Setup 2-42

- Vehicle State 2-39
- Ventilation for Enclosed Area 1-63
- Vibration 1-65, 2-85
- Visibility Information 1-29
- Volume - Down Button 2-65
- Volume - up Button 2-64

W

- Walk Around Checks 3-2
- Warning and Indicator Lights 2-17
- Warning Tag 1-40
- Warning Tag - "Do Not Operate" 1-7
- Weight of Workload Materials 7-5
- Welding and Grinding 1-21
- Welding Instructions 4-2
- Welding Repairs 1-46
- Wheel Chocks 2-94
- Wheel Nut Torque 4-113
- Wheel Nut, Tightening Check 4-112
- Window Washer Liquid 4-41
- Windshield Washer Fluid 4-1
- Work Light Indicator Light 2-21
- Work Site 1-25
- Work Site Areas Requiring Extra Caution 1-55
- Work Site Rules 1-30
- Working Capacities 7-4
- Working In Contaminated Environment 1-58
- Working In Water 1-58
- Working in Water 3-21
- Working on Machine 1-47
- Working on Painted Surfaces 4-19
- Working Range and Dimensions 7-2

DOOSAN

Doosan Infracore America Corporation

2905 Shawnee Industrial Way
Suite 100
Suwanee, GA 30024