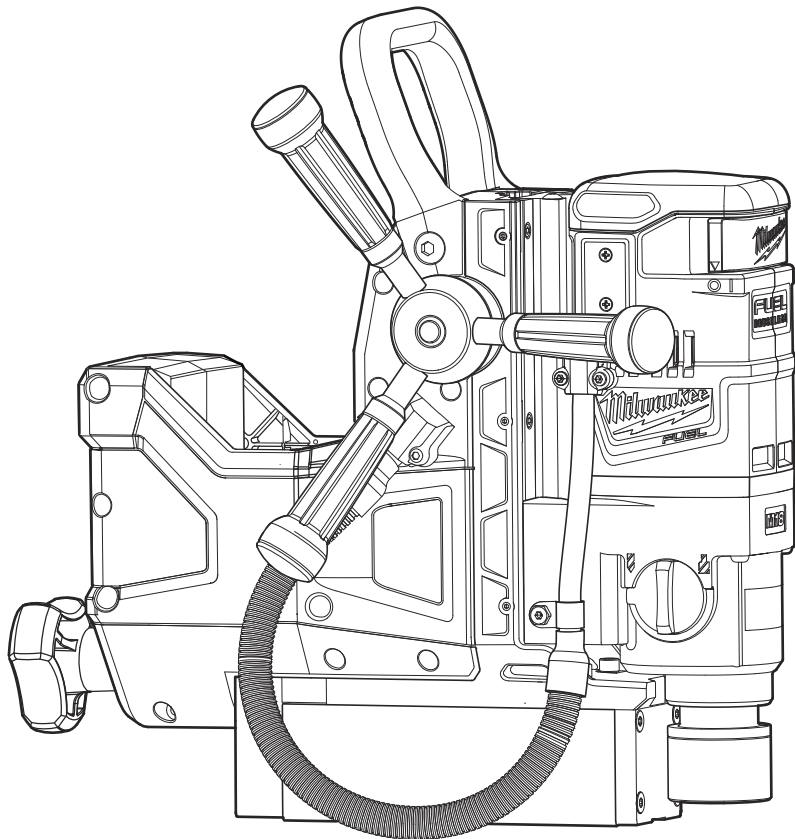




OPERATOR'S MANUAL
MANUEL de L'UTILISATEUR
MANUAL del OPERADOR



Cat. No. / No de cat.
2787-20, 2788-20

M18 FUEL™ 1-1/2" MAGNETIC DRILLS
PERCEUSE MAGNÉTIQUE DE 38 mm (1-1/2") M18 FUEL™
TALADROS MAGNÉTICOS M18 FUEL™ DE 38 mm (1-1/2")



WARNING To reduce the risk of injury, user must read and understand operator's manual.

AVERTISSEMENT Afin de réduire le risque de blessures, l'utilisateur doit lire et bien comprendre le manuel.

ADVERTENCIA Para reducir el riesgo de lesiones, el usuario debe leer y entender el manual.

GENERAL POWER TOOL SAFETY WARNINGS

⚠WARNING Read all safety warnings, instructions, illustrations and specifications provided with this power tool. Failure to follow all instructions listed below may result in electric shock, fire and/or serious injury. **Save all warnings and instructions for future reference.** The term "power tool" in the warnings refers to your mains-operated (corded) power tool or battery-operated (cordless) power tool.

WORK AREA SAFETY

- **Keep work area clean and well lit.** Cluttered or dark areas invite accidents.
- **Do not operate power tools in explosive atmospheres, such as in the presence of flammable liquids, gases or dust.** Power tools create sparks which may ignite the dust or fumes.
- **Keep children and bystanders away while operating a power tool.** Distractions can cause you to lose control.

ELECTRICAL SAFETY

- **Power tool plugs must match the outlet. Never modify the plug in any way. Do not use any adapter plugs with earthed (grounded) power tools.** Unmodified plugs and matching outlets will reduce risk of electric shock.
- **Avoid body contact with earthed or grounded surfaces, such as pipes, radiators, ranges and refrigerators.** There is an increased risk of electric shock if your body is earthed or grounded.
- **Do not expose power tools to rain or wet conditions.** Water entering a power tool will increase the risk of electric shock.
- **Do not abuse the cord. Never use the cord for carrying, pulling or unplugging the power tool. Keep cord away from heat, oil, sharp edges or moving parts.** Damaged or entangled cords increase the risk of electric shock.
- **When operating a power tool outdoors, use an extension cord suitable for outdoor use.** Use of a cord suitable for outdoor use reduces the risk of electric shock.
- **If operating a power tool in a damp location is unavoidable, use a ground fault circuit interrupter (GFCI) protected supply.** Use of an GFCI reduces the risk of electric shock.

PERSONAL SAFETY

- **Stay alert, watch what you are doing and use common sense when operating a power tool. Do not use a power tool while you are tired or under the influence of drugs, alcohol or medication.** A moment of inattention while operating power tools may result in serious personal injury.
- **Use personal protective equipment. Always wear eye protection.** Protective equipment such as a dust mask, non-skid safety shoes, hard hat or hearing protection used for appropriate conditions will reduce personal injuries.
- **Prevent unintentional starting. Ensure the switch is in the off-position before connecting to power source and/or battery pack, picking up or carrying the tool.** Carrying power tools with your finger on the switch or energizing power tools that have the switch on invites accidents.

- **Remove any adjusting key or wrench before turning the power tool on.** A wrench or a key left attached to a rotating part of the power tool may result in personal injury.
- **Do not overreach. Keep proper footing and balance at all times.** This enables better control of the power tool in unexpected situations.
- **Dress properly. Do not wear loose clothing or jewelry. Keep your hair and clothing away from moving parts.** Loose clothes, jewelry or long hair can be caught in moving parts.
- **If devices are provided for the connection of dust extraction and collection facilities, ensure these are connected and properly used.** Use of dust collection can reduce dust-related hazards.
- **Do not let familiarity gained from frequent use of tools allow you to become complacent and ignore tool safety principles.** A careless action can cause severe injury within a fraction of a second.

POWER TOOL USE AND CARE

- **Do not force the power tool. Use the correct power tool for your application.** The correct power tool will do the job better and safer at the rate for which it was designed.
 - **Do not use the power tool if the switch does not turn it on and off.** Any power tool that cannot be controlled with the switch is dangerous and must be repaired.
 - **Disconnect the plug from the power source and/ or remove the battery pack, if detachable, from the power tool before making any adjustments, changing accessories, or storing power tools.** Such preventive safety measures reduce the risk of starting the power tool accidentally.
 - **Store idle power tools out of the reach of children and do not allow persons unfamiliar with the power tool or these instructions to operate the power tool.** Power tools are dangerous in the hands of untrained users.
 - **Maintain power tools and accessories. Check for misalignment or binding of moving parts, breakage of parts and any other condition that may affect the power tool's operation. If damaged, have the power tool repaired before use.** Many accidents are caused by poorly maintained power tools.
 - **Keep cutting tools sharp and clean.** Properly maintained cutting tools with sharp cutting edges are less likely to bind and are easier to control.
 - **Use the power tool, accessories and tool bits etc. in accordance with these instructions, taking into account the working conditions and the work to be performed.** Use of the power tool for operations different from those intended could result in a hazardous situation.
 - **Keep handles and grasping surfaces dry, clean and free from oil and grease.** Slippery handles and grasping surfaces do not allow for safe handling and control of the tool in unexpected situations.
- ### BATTERY TOOL USE AND CARE
- **Recharge only with the charger specified by the manufacturer.** A charger that is suitable for one type of battery pack may create a risk of fire when used with another battery pack.
 - **Use power tools only with specifically designated battery packs.** Use of any other battery packs may create a risk of injury and fire.

- When battery pack is not in use, keep it away from other metal objects, like paper clips, coins, keys, nails, screws or other small metal objects, that can make a connection from one terminal to another. Shorting the battery terminals together may cause burns or a fire.
- Under abusive conditions, liquid may be ejected from the battery; avoid contact. If contact accidentally occurs, flush with water. If liquid contacts eyes, additionally seek medical help. Liquid ejected from the battery may cause irritation or burns.
- Do not use a battery pack or tool that is damaged or modified. Damaged or modified batteries may exhibit unpredictable behavior resulting in fire, explosion or risk of injury.
- Do not expose a battery pack or tool to fire or excessive temperature. Exposure to fire or temperature above 265°F (130°C) may cause explosion.
- Follow all charging instructions and do not charge the battery pack or tool outside the temperature range specified in the instructions. Charging improperly or at temperatures outside the specified range may damage the battery and increase the risk of fire.

SERVICE

- Have your power tool serviced by a qualified repair person using only identical replacement parts. This will ensure that the safety of the power tool is maintained.
- Never service damaged battery packs. Service of battery packs should only be performed by the manufacturer or authorized service providers.

SPECIFIC SAFETY RULES FOR MAGNETIC DRILLS

- Always use safety chain. Mounting can release.
- ⚠ DANGER** To reduce the risk of injury, always keep hands, gloves, rags, clothing, etc. away from moving parts and chips. Do not try to remove chips while the cutter is rotating. Chips are sharp and can pull objects into moving parts.
- Clean the surface before attaching the drill stand to the work surface. Paint, rust, scale, or uneven surfaces decrease the holding strength of the magnet. Chips, burrs, dirt and other foreign matter on the surface of the magnet base will also decrease holding power.
- Do not attach magnetic base to nonmagnetic grades of stainless steel. The magnet base WILL NOT hold. The permanent magnetic drill attaches magnetically to 1/4" or thicker ferrous stock. Do not use on stock less than 1/4".
- Hold the power tool by insulated gripping surfaces, when performing an operation where the cutting accessory may contact hidden wiring. Cutting accessory contacting a "live" wire may make exposed metal parts of the power tool "live" and could give the operator an electric shock.
- Safety Strap
 - Do not use near acids or bleaching agents.
 - Do not use for overhead lifting.
 - Do not use strap if webbing is cut.
 - Webbing must be protected from sharp edges.
 - All hardware must be in line with direction of pull for rated capacity.

- Always use common sense and be cautious when using tools. It is not possible to anticipate every situation that could result in a dangerous outcome. Do not use this tool if you do not understand these operating instructions or you feel the work is beyond your capability; contact Milwaukee Tool or a trained professional for additional information or training.
- Maintain labels and nameplates. These carry important information. If unreadable or missing, contact a MILWAUKEE service facility for a free replacement.

- ⚠ WARNING** Some dust created by power sanding, sawing, grinding, drilling, and other construction activities contains chemicals known to cause cancer, birth defects or other reproductive harm. Some examples of these chemicals are:
 - lead from lead-based paint
 - crystalline silica from bricks and cement and other masonry products, and
 - arsenic and chromium from chemically-treated lumber.

Your risk from these exposures varies, depending on how often you do this type of work. To reduce your exposure to these chemicals: work in a well ventilated area, and work with approved safety equipment, such as those dust masks that are specially designed to filter out microscopic particles.

SYMBOLOLOGY



Volts



Direct Current

n_0 XXXX min⁻¹ No Load Revolutions per Minute (RPM)



⚠ DANGER To reduce the risk of injury, always keep hands, gloves, rags, clothing, etc. away from moving parts and chips. Do not try to remove chips while the cutter is rotating. Chips are sharp and can pull objects into moving parts.



Read Operator's Manual



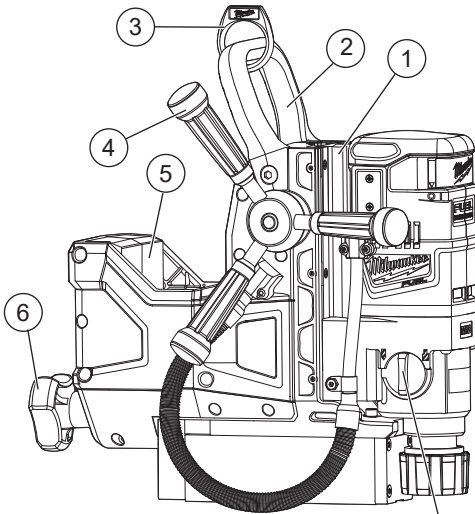
UL Listing for Canada and U.S.

SPECIFICATIONS

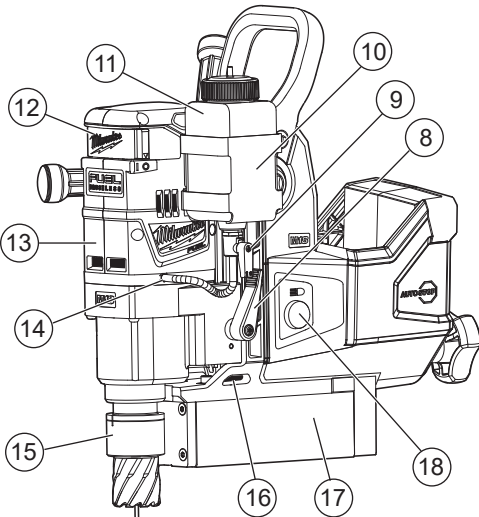
Cat. No.	2787-20, 2788-20
Volts.....	18 DC
Battery Type	M18™
Charger Type.....	M18™
No Load RPM.....	High 690 / Low 400
Twist Drill*.....	1/2"
HSS Cutter	1-1/2"
Recommended Ambient Operating Temperature.....	0°F to 125°F

*Requires use of 1/2" drill chuck adapter.

FUNCTIONAL DESCRIPTION



- | | |
|--------------------------------------|--|
| 1. Slide rail | 11. Cutting fluid bottle |
| 2. Carrying handle | 12. ON(I) / OFF(O) switch |
| 3. Steel tie-off ring (2788-20 only) | 13. Drill motor |
| 4. Feed handle | 14. Cutting fluid fitting |
| 5. Battery bay | 15. Quick-change arbor |
| 6. Magnet activation knob | 16. Safety strap bracket (strap not shown) |
| 7. Speed selector | 17. Magnetic base |
| 8. Motor adjustment lever | 18. LED button |
| 9. Cutting fluid valve | |
| 10. Cutting fluid bracket | |



ASSEMBLY

⚠ WARNING Recharge only with the charger specified for the battery. For specific charging instructions, read the operator's manual supplied with your charger and battery.

Removing/Inserting the Battery

To **remove** the battery, push in the release buttons and pull the battery pack away from the tool.

⚠ WARNING Always remove the battery pack any time the tool is not in use.

To **insert** the battery, slide the pack into the body of the tool. Make sure it latches securely into place.

⚠ WARNING Only use accessories specifically recommended for this tool. Others may be hazardous.

Attaching Feed Handle

1. Line up the anvil and slide the handle into place on the desired side of the tool.
 2. To remove, press the center button and pull the handle away from the tool.
- Do not use a wrench, pipe, or any other lever in place of the feed handle.

Motor adjustment lever

The motor adjustment lever is used to raise and lower the motor on the slide rail. Always hold the motor securely before loosening the adjustment lever.

Installing the Cutting Fluid Bottle

1. Ensure the valve is in the off (sideways) position.
2. Fill the bottle with HAWG WASH® cutting fluid.
3. Attach the bottle bracket to the drill.
4. Attach the hose to the fitting on the side of the drill.

OPERATION

⚠WARNING Always remove battery pack before changing or removing accessories. Only use accessories specifically recommended for this tool. Others may be hazardous. To reduce the risk of injury, always wear proper eye protection marked to comply with ANSI Z87.1.




Typical Operation

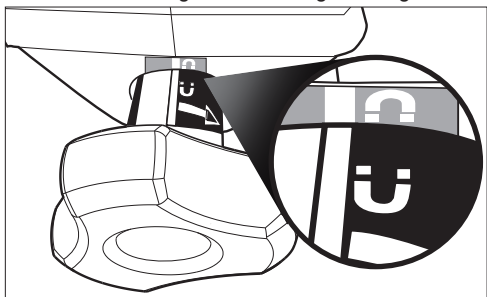
1. Check the work surface to make sure it is clean and free of foreign materials. Paint, rust, scale or uneven surfaces decrease the holding strength of the magnet. Chips, burrs, dirt and other foreign materials on the surface of the magnetic base will also decrease holding power. Use a smooth, flat file to keep the magnet clean and free of nicks. The drill attaches magnetically to 1/4" or thicker ferrous stock. Do not use on stock less than 1/4". The magnetic base WILL NOT hold on nonmagnetic grades of stainless steel.
2. To install/remove cutter:
 - A. Remove battery pack.
 - B. Raise the drill motor to its highest position on the slide rail.
 - C. Twist the quick-change arbor. Insert the cutter into the arbor and release collar. Tug on cutter to ensure it is secure. Cutter should be fully seated into spindle.
 - D. Reverse procedure to remove cutter.

NOTE: Do not remove cutter unless slug is removed. Slug may eject unexpectedly. Avoid contact with cutter tips. Periodically inspect the cutter tips for loose or damaged tips.

NOTE: If the cutter does not release from the arbor when the collar is turned, use a locking pliers to grasp the cutter above the cutter flutes. Holding the collar securely in one hand, rotate the pliers clockwise to release the cutter from the arbor.

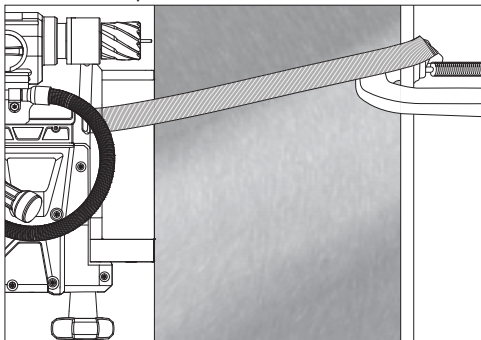
⚠WARNING To reduce the risk of injury, do not hold workpiece by hand.

3. Select High Speed  or Low Speed  depending on your application.
4. Position the tool so the center pin is directly over the desired cutting location. Rotate the magnet knob to engage the magnet. The magnet icons will align . The drill motor will not start if the magnet icons are not aligned, activating the magnet.



⚠WARNING To reduce the risk of injury, always use a safety strap on vertical, overhead, and pipe applications. Mounting can release.

5. Use a safety strap on vertical, overhead, and pipe applications.
 - A. Route the safety strap, through the lower slots, and wrap it tightly around a solid, rigid structure. Make sure the strap is not twisted.
 - B. Snap the safety strap snaphooks together. Eliminate any slack in the strap.
 - C. When using on a vertical surface, secure the safety strap with a c-clamp or similar device. This will hold the strap in place and prevent the tool from sliding down the vertical surface. Do not clamp to the strap. This may damage the strap and cause it to break.



⚠WARNING Do not use cutting fluid in an overhead or any other position that allows cutting fluid to enter motor or switch enclosure.

6. Insert battery pack.
7. With the ON(I) / OFF(O) switch in the OFF(O) position, turn the cutting fluid bottle valve to the ON (downward) position. Cutting fluid will be released as the center pin contacts the work surface. Failure to lubricate properly will cause cutter damage. The use of HAWG WASH® cutting fluid is recommended for long life of these cutters. The operator is responsible for the application of lubricants other than HAWG WASH® cutting fluid. In overhead or vertical cutting applications, do not use cutting fluids. Use only lubricant pastes or sprays recommended for high speed cutting. Do not allow lubricant pastes and sprays to enter tool.

⚠WARNING To reduce the risk of injury, always keep hands, gloves, rags, clothing, etc. away from moving parts and chips. Do not try to remove chips while the cutter is rotating. Chips are sharp and can pull objects into moving parts.



8. Start the drill motor by pulling the ON(I) / OFF(O) switch out, by both sides, to the ON(I) position. The drill motor will not start if the magnet icons are not aligned, activating the magnet.



⚠WARNING Excessive force on the feed handle will break magnet free.

9. Even large bits only require a small amount of pressure on the feed handle. When feeding the cutter into the material, apply only enough force to produce a curled chip. Applying too little force will result in small broken chips and increased cutting time. Applying too much force will cause overheating of the cutter resulting in short cutter life. Overheating of the cutter can be noticed when cutter and chips turn brown or blue. Excessive force can cause the cutter to slow down to a point where cutting time will increase. The use of cutting lubricants will reduce cutting heat and increase cutter life. Use less feed pressure when slotting or notching because there is less support for the cutting edges in these situations.
10. Keep constant pressure throughout the entire operation to prevent chips and burrs from falling under the cutting edges. Cutting debris under the cutter can make cutting difficult or impossible.
11. When the cut is complete, withdraw the cutter while the spindle is still rotating.
12. Stop the drill motor by pushing in the ON(I) / OFF(O) switch.
13. When the spindle has stopped rotating, use a pliers to remove cutting debris and chips from the cutter and spindle. Use care to avoid damaging the cutter teeth.
14. The center pin is spring loaded. Provide protection from ejected slug for people and property below cutting area.
15. Firmly grip the tool and rotate the magnet knob to disengaging the magnet.
16. When drilling on pipe, use the accessory pipe adaptor 48-10-0130 and the safety strap.

MAINTENANCE

⚠WARNING To reduce the risk of injury, always unplug the charger and remove the battery pack from the charger or tool before performing any maintenance. Never disassemble the tool, battery pack or charger. Contact a MILWAUKEE service facility for ALL repairs.

Maintaining Tool

Keep your tool, battery pack and charger in good repair by adopting a regular maintenance program. Inspect your tool for issues such as undue noise, misalignment or binding of moving parts, breakage of parts, or any other condition that may affect the tool operation. Return the tool, battery pack, and charger to a MILWAUKEE service facility for repair. After six months to one year, depending on use, return the tool, battery pack and charger to a MILWAUKEE service facility for inspection.

If the tool does not start or operate at full power with a fully charged battery pack, clean the contacts on the battery pack. If the tool still does not work properly, return the tool, charger and battery pack, to a MILWAUKEE service facility for repairs.

⚠WARNING To reduce the risk of personal injury and damage, never immerse your tool, battery pack or charger in liquid or allow a liquid to flow inside them.

Cleaning

Clean dust and debris from any vents. Keep tool clean, dry and free of oil or grease. Use only mild soap and a damp cloth to clean, since certain cleaning agents and solvents are harmful to plastics and other insulated parts. Some of these include gasoline, turpentine, lacquer thinner, paint thinner, chlorinated cleaning solvents, ammonia and household detergents containing ammonia. Never use flammable or combustible solvents around tools.

Repairs

For repairs, return the tool, battery pack and charger to the nearest authorized service center.

ACCESSORIES

⚠WARNING Use only recommended accessories. Others may be hazardous.

For a complete listing of accessories, go online to www.milwaukeetool.com or contact a distributor.

SERVICE - UNITED STATES

1-800-SAWDUST (1.800.729.3878)

Monday-Friday, 7:00 AM - 6:30 PM CST

or visit www.milwaukeetool.com

Contact Corporate After Sales Service Technical Support with technical, service/repair, or warranty questions.

Email: metproductsupport@milwaukeetool.com

Become a Heavy Duty Club Member at www.milwaukeetool.com to receive important notifications regarding your tool purchases.

SERVICE - CANADA

Milwaukee Tool (Canada) Ltd

1.877.948.2360

Monday-Friday, 7:00 AM - 4:30 PM CST

or visit www.milwaukeetool.ca

LIMITED WARRANTY USA & CANADA

This MILWAUKEE power tool* is warranted to the original purchaser from an authorized MILWAUKEE distributor only to be free from defects in material and workmanship. Subject to certain exceptions, MILWAUKEE will repair or replace any part on this power tool which, after examination, is determined by MILWAUKEE to be defective in material or workmanship for a period of five (5) years after the date of purchase unless otherwise noted. Return of the power tool to a MILWAUKEE factory Service Center location or MILWAUKEE Authorized Service Station, freight prepaid and insured, is required. A copy of the proof of purchase should be included with the return product. This warranty does not apply to damage that MILWAUKEE determines to be from repairs made or attempted by anyone other than MILWAUKEE authorized personnel, misuse, alterations, abuse, normal wear and tear, lack of maintenance, or accidents.

Normal Wear: Many power tools need periodic parts replacement and service to achieve best performance. This warranty does not cover repair when normal use has exhausted the life of a part including, but not limited to, chucks, brushes, cords, saw shoes, blade clamps, o-rings, seals, bumpers, driver blades, pistons, strikers, lifters, and bumper cover washers.

*This warranty does not cover battery packs or all power tools. Refer to the separate and distinct warranties available for those products. The warranty period for the LED in the LED Work Light (49-24-0171) and the LED Upgrade Bulb (49-81-0090) is the lifetime of the product subject to the limitations above. If during normal use the LED or LED Upgrade Bulb fails, the part will be replaced free of charge.

Warranty Registration is not necessary to obtain the applicable warranty on a MILWAUKEE power tool product. The manufacturing date of the product will be used to determine the warranty period if no proof of purchase is provided at the time warranty service is requested.

ACCEPTANCE OF THE EXCLUSIVE REPAIR AND REPLACEMENT REMEDIES DESCRIBED HEREIN IS A CONDITION OF THE CONTRACT FOR THE PURCHASE OF EVERY MILWAUKEE PRODUCT. IF YOU DO NOT AGREE TO THIS CONDITION, YOU SHOULD NOT PURCHASE THE PRODUCT. IN NO EVENT SHALL MILWAUKEE BE LIABLE FOR ANY INCIDENTAL, SPECIAL, CONSEQUENTIAL, OR PUNITIVE DAMAGES, OR FOR ANY COSTS, ATTORNEY FEES, EXPENSES, LOSSES OR DELAYS ALLEGED TO BE AS A CONSEQUENCE OF ANY DAMAGE TO, FAILURE OF, OR DEFECT IN ANY PRODUCT INCLUDING, BUT NOT LIMITED TO, ANY CLAIMS FOR LOSS OF PROFITS. SOME STATES DO NOT ALLOW THE EXCLUSION OR LIMITATION OF INCIDENTAL OR CONSEQUENTIAL DAMAGES, SO THE ABOVE LIMITATION OR EXCLUSION MAY NOT APPLY TO YOU. THIS WARRANTY IS EXCLUSIVE AND IN LIEU OF ALL OTHER EXPRESS WARRANTIES, WRITTEN OR ORAL, TO THE EXTENT PERMITTED BY LAW, MILWAUKEE DISCLAIMS ANY IMPLIED WARRANTIES, INCLUDING WITHOUT LIMITATION ANY IMPLIED WARRANTY OF MERCHANTABILITY OR FITNESS FOR A PARTICULAR USE OR PURPOSE; TO THE EXTENT SUCH DISCLAIMER IS NOT PERMITTED BY LAW, SUCH IMPLIED WARRANTIES ARE LIMITED TO THE DURATION OF THE APPLICABLE EXPRESS WARRANTY AS DESCRIBED ABOVE. SOME STATES DO NOT ALLOW LIMITATIONS ON HOW LONG AN IMPLIED WARRANTY LASTS, SO THE ABOVE LIMITATION MAY NOT APPLY TO YOU. THIS WARRANTY GIVES YOU SPECIFIC LEGAL RIGHTS, AND YOU MAY ALSO HAVE OTHER RIGHTS WHICH VARY FROM STATE TO STATE.

This warranty applies to product sold in the U.S.A. and Canada only. Please consult the 'Service Center Search' in the Parts & Service section of MILWAUKEE's website www.milwaukeeool.com or call 1.800.SAWDUST (1.800.729.3878) to locate your nearest service facility for warranty and non-warranty service on a MILWAUKEE power tool.

RÈGLES DE SÉCURITÉ GÉNÉRALES RELATIVES AUX OUTILS ÉLECTRIQUES

⚠ AVERTISSEMENT Lire toutes les consignes de sécurité, consignes, illustrations et spécifications fournies avec cet outil électrique. Ne pas suivre l'ensemble des règles et instructions peut entraîner une électrocution, un incendie ou des blessures graves. **Conserver les règles et les instructions à des fins de référence ultérieure.** Le terme «outil électrique» figurant dans les avertissements ci-dessous renvoie à l'outil électrique à alimentation par le réseau (à cordon) ou par batterie (sans fil).

SÉCURITÉ DU LIEU DE TRAVAIL

- **Veillez à ce que l'aire de travail soit propre et bien éclairée.** Le désordre et le manque de lumière favorisent les accidents.
- **Ne pas utiliser d'outils électriques dans des atmosphères explosives, par exemple en présence de liquides, gaz ou poussières inflammables.** Les outils électriques produisent des étincelles risquant d'enflammer les poussières ou vapeurs.
- **S'assurer que les enfants et les curieux se trouvent à une bonne distance au moment d'utiliser un outil électrique.** Les distractions peuvent causer une perte de contrôle.

SÉCURITÉ ÉLECTRIQUE

- **Les fiches des outils électriques doivent correspondre à la prise secteur utilisée. Ne jamais modifier la fiche, de quelque façon que ce soit. Ne jamais utiliser d'adaptateurs de fiche avec des outils mis à la terre.** Les fiches et prises non modifiées réduisent le risque de choc électrique.
- **Éviter tout contact avec des surfaces mises à la terre comme des tuyaux, des radiateurs, des cuisinières et des réfrigérateurs.** Le risque de choc électrique est accru lorsque le corps est mis à la terre.
- **Ne pas exposer les outils électriques à l'eau ou l'humidité.** La pénétration d'eau dans ces outils accroît le risque de choc électrique.
- **Ne pas maltraiter le cordon d'alimentation. Ne jamais utiliser le cordon d'alimentation pour transporter l'outil électrique et ne jamais débrancher ce dernier en tirant sur le cordon. Garder le cordon à l'écart de la chaleur, de l'huile, des objets tranchants et des pièces en mouvement.** Un cordon endommagé ou emmêlé accroît le risque de choc électrique.
- **Pour les travaux à l'extérieur, utiliser un cordon spécialement conçu à cet effet.** Utiliser un cordon conçu pour l'usage extérieur réduit les risques de choc électrique.
- **Si l'utilisation d'un outil électrique est inévitable dans un endroit humide, utiliser une source d'alimentation munie d'un disjoncteur de fuite de terre.** L'utilisation d'un disjoncteur de fuite de terre réduit le risque de choc électrique.

SÉCURITÉ INDIVIDUELLE

- **Rester attentif, prêter attention au travail et faire preuve de bon sens lors de l'utilisation de tout outil électrique. Ne pas utiliser cet appareil en cas de fatigue ou sous l'influence de l'alcool, de drogues ou de médicaments.** Un moment d'inattention pendant l'utilisation d'un outil électrique peut entraîner des blessures graves.

- **Porter l'équipement de protection individuel requis. Toujours porter une protection oculaire.** Selon les conditions, porter aussi un masque anti-poussières, des bottes de sécurité antidérapantes, un casque protecteur ou une protection auditive afin de réduire les blessures.
- **Empêcher les démarrages accidentels. S'assurer que la gâchette est en position d'arrêt avant de brancher l'outil à une source de courant, d'insérer la batterie, de le ramasser ou de le transporter.** Le fait de transporter un outil électrique en gardant le doigt sur la gâchette ou de mettre sous tension un outil électrique lorsque la gâchette est en position de marche favorise les accidents.
- **Retirer les clés de réglage avant de mettre l'outil en marche.** Une clé laissée sur une pièce rotative de l'outil peut causer des blessures.
- **Ne pas travailler hors de portée. Toujours se tenir bien campé et en équilibre.** Une bonne stabilité procure un meilleur contrôle de l'outil électrique en cas d'imprévu.
- **Porter une tenue appropriée. Ne porter ni vêtements amples, ni bijoux. Garder les cheveux et les vêtements à l'écart des pièces en mouvement.** Les vêtements flottants, les bijoux ou les cheveux longs risquent d'être happés par les pièces en mouvement.
- **Si les outils sont équipés de dispositifs de dé poussière, s'assurer qu'ils sont connectés et correctement utilisés.** L'utilisation d'un collecteur de poussière permet de réduire les dangers liés à la poussière.
- **Ne pas laisser la familiarité avec l'outil acquise par une utilisation fréquente vous rendre suffisant et vous amener à ignorer les règles de sécurité.** Une utilisation négligée peut causer une blessure grave en une fraction de seconde.

UTILISATION ET ENTRETIEN DE L'OUTIL ÉLECTRIQUE

- **Ne pas forcer l'outil électrique. Utiliser l'outil électrique approprié pour l'application.** Un outil électrique approprié exécutera le travail mieux et de façon moins dangereuse s'il est utilisé dans les limites prévues.
- **Ne pas utiliser l'outil électrique si le commutateur ne permet pas de le mettre en marche ou de l'arrêter.** Tout outil électrique qui ne peut pas être contrôlé par son commutateur est dangereux et doit être réparé.
- **Débrancher l'outil et/ou retirer le bloc-piles, si possible, avant d'effectuer des réglages, de changer d'accessoire ou de remettre l'outil.** Ces mesures de sécurité préventives réduisent les risques de démarrage accidentel de l'outil.
- **Entreposer l'outil électrique hors de la portée des enfants et interdire à quiconque de l'utiliser si la personne ne connaît pas bien le produit ou les instructions.** Les outils électriques sont dangereux dans les mains d'utilisateurs novices.
- **Entretenir les outils électriques et les accessoires. Vérifier qu'aucune pièce mobile n'est mal alignée ou bloquée, qu'aucune pièce n'est brisée et s'assurer qu'aucun autre problème risque d'affecter le bon fonctionnement de l'outil. En cas de dommages, faire réparer l'outil avant de l'utiliser.** Plusieurs accidents sont causés par des produits mal entretenus.
- **Garder les outils bien affûtés et propres.** Des outils correctement entretenus et dont les tranchants sont bien affûtés risquent moins de se bloquer et sont plus faciles à contrôler.
- **Utiliser l'outil électrique, les accessoires, les embouts etc. conformément à ces instructions en tenant compte des conditions de travail et de la tâche à effectuer.** L'usage d'un outil électrique pour des applications pour lesquelles il n'est pas conçu peut être dangereux.
- **Garder les poignées et les surfaces de préhension sèches, propres et exemptes d'huile ou de graisse.** Des poignées et des surfaces de préhension glissantes ne permettent pas de manipuler et de contrôler l'outil en toute sécurité en cas de situation imprévue.

UTILISATION ET ENTRETIEN DE LA BATTERIE

- **Pour recharger le bloc-piles, utiliser seulement le chargeur spécifié par le fabricant.** Un chargeur pouvant convenir à un type de bloc-piles peut entraîner un risque d'incendie lorsqu'il est utilisé avec un autre type de bloc-piles.
- **N'utiliser l'outil électrique qu'avec une batterie recommandée.** L'utilisation de tout autre bloc-piles peut créer un risque de blessures et d'incendie.
- **Lorsque le bloc-piles n'est pas utilisé, le tenir éloigné des objets en métal tels que les trombones, les pièces de monnaie, les clés, les clous, les vis ou d'autres petits objets métalliques qui pourraient connecter les bornes.** Le court-circuitage des bornes d'une pile peut entraîner des brûlures ou un incendie.
- **Éviter tout contact avec le liquide pouvant être éjecté de la pile en cas de manutention abusive. En cas de contact accidentel, rincer immédiatement les parties atteintes avec de l'eau. Si le liquide entre en contact avec les yeux, consulter un médecin.** Le liquide éjecté des piles peut causer des irritations ou des brûlures.
- **N'utiliser aucun bloc-piles ni aucun outil ayant été endommagé ou modifié.** Des piles endommagées ou modifiées peuvent adopter un comportement imprévisible pouvant causer un incendie, une explosion ou le risque de blessures.
- **Ne pas exposer le bloc-piles ou l'outil aux flammes ou à une température excessive.** Une exposition aux flammes ou à une température supérieure à 130°C (265°F) peut causer une explosion.
- **Suivre toutes les instructions de charge et ne pas charger le bloc-piles ou l'outil en dehors de la plage de température spécifiée.** Une charge incorrecte ou à des températures en dehors de la plage spécifiée peut endommager la pile et augmenter le risque d'incendie.

ENTRETIEN

- **Les réparations de l'outil électrique doivent être confiées à un technicien qualifié, utilisant exclusivement des pièces identiques à celles d'origine.** Le maintien de la sûreté de l'outil électrique sera ainsi assuré.
- **Ne jamais effectuer la réparation d'un bloc-piles endommagé.** La réparation du bloc-piles doit être réalisée par le fabricant ou les fournisseurs de service agréés uniquement.

RÈGLES DE SÉCURITÉ SPÉCIFIQUES POUR PERCEUSE MAGNÉTIQUE

• **Utiliser toujours la chaîne de sécurité.** Le montage peut tomber.

• **ADANGER** Pour réduire le risque de blessure, garder toujours les mains, les gants, les tissus, les vêtements, etc. éloignés des pièces mobiles et des copeaux. Ne pas essayer d'enlever les copeaux pendant que l'outil est en marche. Les copeaux sont tranchants et peuvent attirer des objets dans les pièces mobiles.

• **Nettoyer la surface de travail avant de fixer le support de la perceuse.** Les surfaces peintes, rouillées, écaillées ou irrégulières diminuent la force d'ancrage de l'aimant. Les copeaux, les bavures, la saleté et autres corps étrangers sur la base de l'aimant diminuent également la force d'ancrage de l'aimant.

• **Ne pas fixer une base magnétique sur de l'acier inoxydable non magnétique.** La base de l'aimant NE se fixera PAS. La perceuse magnétique permanente se fixe magnétiquement sur un support en fer de 6 mm (1/4") d'épaisseur ou plus. Ne pas utiliser sur un support de moins de 6 mm (1/4").

• **Lorsque l'outil électrique est utilisé pour un travail risquant de mettre l'accessoire de coupe en contact avec des fils électriques cachés, le tenir par les surfaces de prise isolées.** Le contact d'un accessoire de coupe avec un fil sous tension « électrifie » les pièces métalliques exposées de l'outil et peut électrocuter l'utilisateur.

• **Sangle de sécurité**

• **Ne pas l'utiliser à proximité d'acides ou d'agents de blanchiment.**

• **Ne pas l'utiliser pour porter l'outil au-dessus de la tête.**

• **Ne pas utiliser la sangle si elle est endommagée.**

• **La sangle doit être protégée contre les bords coupants.**

• **Tout le matériel doit être aligné dans le sens de la traction pour une puissance nominale.**

• **Toujours faire preuve de bons sens et procéder avec prudence lors de l'utilisation d'outils.** C'est impossible de prévoir toutes les situations dont le résultat est dangereux. Ne pas utiliser cet outil si vous ne comprenez pas ces instructions d'opération ou si vous pensez que le travail dépasse votre capacité ; veuillez contacter Milwaukee Tool ou un professionnel formé pour recevoir plus d'information ou formation.

• **Maintenir en l'état les étiquettes et les plaques d'identification.** Des informations importantes y figurent. Si elles sont illisibles ou manquantes, contacter un centre de services et d'entretien MILWAUKEE pour un remplacement gratuit.

• **AVERTISSEMENT** Certaines poussières générées par les activités de ponçage, de coupe, de rectification, de perçage et d'autres activités de construction contiennent des substances considérées être la cause de malformations congénitales et de troubles de l'appareil reproducteur. Parmi ces substances figurent :

- le plomb contenu dans les peintures à base de plomb ;
 - la silice cristalline des briques, du ciment et d'autres matériaux de maçonnerie, ainsi que
 - l'arsenic et le chrome des sciages traités chimiquement.
- Les risques encourus par l'opérateur envers ces expositions varient en fonction de la fréquence de ce type de travail. Pour réduire l'exposition à ces substances chimiques, l'opérateur doit : travailler dans une zone bien ventilée et porter l'équipement de sécurité approprié, tel qu'un masque anti-poussière spécialement conçu pour filtrer les particules microscopiques.

PICTOGRAPHIE



Volts



Courant direct

n₀ XXXX min⁻¹ Tours-minute à vide (RPM)



• **ADANGER** Pour réduire le risque de blessure, garder toujours les mains, les gants, les tissus, les vêtements, etc. éloignés des pièces mobiles et des copeaux. Ne pas essayer d'enlever les copeaux pendant que l'outil est en marche. Les copeaux sont tranchants et peuvent attirer des objets dans les pièces mobiles.



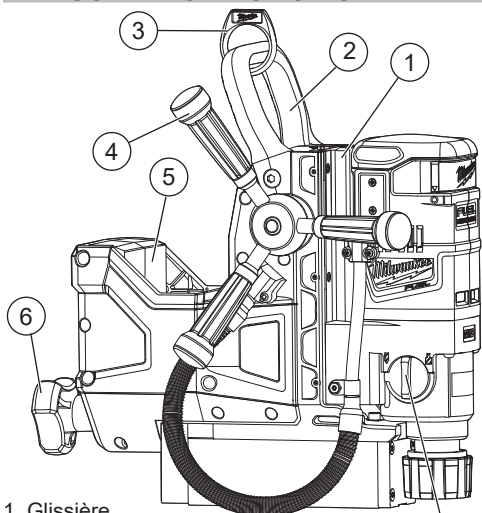
Lire le manuel d'utilisation



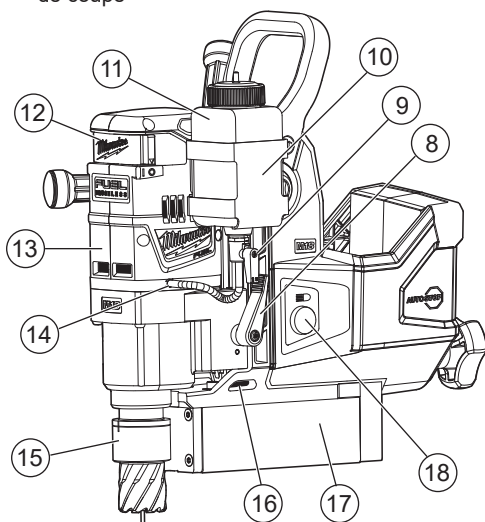
UL Listing Mark pour Canada et États-unis

SPÉCIFICATIONS

No de Cat.....	2787-20, 2788-20
Volts.....	18 CD
Type de batterie	M18™
Type de chargeur	M18™
Tr/min. à vide.....	Haute 690 / Basse 400
Foret hélicoïdale*.....	13 mm (1/2")
Lame en acier rapide.....	38 mm (1-1/2")
Température ambiante de fonctionnement recommandée	-18°C à 50°C (0°F à 125°F)
* Requiert l'utilisation d'un adaptateur de mandrin de 13 mm (1/2").	



- | | |
|---|--|
| 1. Glissière | 11. Bouteille de liquide de coupe |
| 2. Poignée de transport | 12. Commutateur MARCHE(I) / ARRÊT(O) |
| 3. Bague avec corde de fixation en acier (2788-20 uniquement) | 13. Moteur de perceuse |
| 4. Poignée d'alimentation | 14. Raccord de liquide de coupe |
| 5. Compartiment des piles | 15. Axe à changement rapide |
| 6. Bouton d'activation de l'aimant | 16. Support de sangle de sécurité (sangle non illustrée) |
| 7. Sélecteur de vitesse | 17. Base magnétique |
| 8. Levier de réglage du moteur | 18. Bouton DEL |
| 9. Valve de liquide de coupe | |
| 10. Support de liquide de coupe | |



⚠ AVERTISSEMENT Ne recharger la batterie qu'avec le chargeur spécifié. Pour les instructions de charge spécifiques, lire le manuel d'utilisation fourni avec le chargeur et les batteries.

Insertion/Retrait de la batterie

Pour **retirer** la batterie, enfoncer les boutons de déverrouillage et la tirer hors de l'outil.

⚠ AVERTISSEMENT Toujours retirer la batterie les fois que l'outil est inutilisé.

Pour **insérer** la batterie, la glisser dans le corps de l'outil. S'assurer qu'elle est fixée solidement.

⚠ AVERTISSEMENT L'emploi d'accessoires autres que ceux qui sont expressément recommandés pour cet outil peut comporter des risques.

Fixer la poignée d'alimentation

1. Aligner l'enclume et faire glisser la poignée en place sur le côté souhaité de l'outil.
2. Pour la retirer, appuyer sur le bouton central et tirer la poignée loin de l'outil.

Ne pas utiliser une clé, un tuyau ou un autre levier à la place de la poignée d'alimentation.

Levier de réglage du moteur

Le levier de réglage du moteur permet d'élever et d'abaisser le moteur sur la glissière. Toujours tenir fermement le moteur avant de desserrer le levier de réglage.

Installer la bouteille de liquide de coupe

1. S'assurer que la valve est réglée à la position « off » (sur le côté).
2. Remplir la bouteille avec le liquide de coupe HAWG WASH®.
3. Fixer le support de la bouteille à la perceuse.
4. Fixer le tuyau flexible au raccord sur le côté de la perceuse.

MANIEMENT

AVERTISSEMENT Il faut toujours retirer la batterie et verrouiller la détente de l'outil avant de changer ou d'enlever les accessoires. L'emploi d'accessoires autres que ceux qui sont expressément recommandés pour cet outil peut comporter des risques.

Afin de minimiser le risque de blessures, toujours porter la protection oculaire appropriée certifiée conforme à la norme ANSI Z87.1.

Utilisation type

1. Vérifier que la surface de travail est propre et exempte de corps étrangers.

Les surfaces peintes, rouillées, écaillées ou irrégulières diminuent la force d'ancrage de l'aimant. Les copeaux, les bavures, la saleté et autres corps étrangers sur la base magnétique diminuent également la force d'ancrage de l'aimant. Utiliser une lime plate et lisse pour nettoyer l'aimant et éliminer les entailles.

La perceuse se fixe magnétiquement sur un support en fer de 6 mm (1/4") d'épaisseur ou plus. Ne pas utiliser sur un support de moins de 6 mm (1/4"). La base magnétique NE se fixera PAS sur de l'acier inoxydable non magnétique.

2. Installer / retirer la lame :

A. Retirer le bloc-piles

B. Lever le moteur de la perceuse à sa position la plus haute sur la glissière.



C. Faire pivoter l'axe à changement rapide. Insérer la lame dans l'axe et le collet auxiliaire. Tirer sur la lame pour s'assurer qu'elle est bien fixée. La lame doit être entièrement logée dans la broche.


D. Inverser la procédure pour retirer la lame.

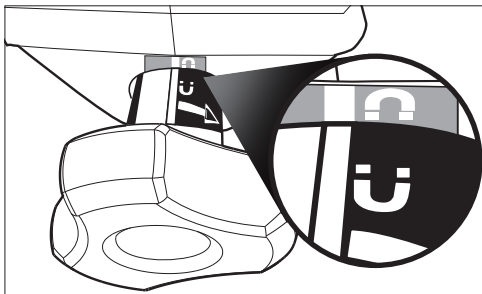
REMARQUE : Ne pas retirer la lame excepté si le tronçon a été retiré. Le tronçon peut s'éjecter de manière inattendue. Éviter le contact avec les pointes de la lame. Inspecter périodiquement les pointes de la lame pour s'assurer qu'elles ne sont pas desserrées ou endommagées.

REMARQUE : Si le couteau ne se libère pas de l'arbre lorsque le collier est tourné, utiliser une pince-étau pour saisir le couteau au-dessus des cannelures. Tenant le collier en toute sécurité par une main, faire pivoter la pince dans le sens horaire pour libérer le couteau de l'arbre.

AVERTISSEMENT Pour réduire le risque de blessure, ne pas tenir la pièce à travailler à la main.

3. Sélectionner une vitesse élevée  ou une vitesse faible  selon l'application.

4. Placer l'outil de manière à ce que la goupille centrale se place directement sur l'emplacement à découper souhaité. Tourner le bouton de l'aimant pour activer l'aimant. Les icônes de l'aimant s'alignent . Le moteur de la perceuse ne démarre pas si les icônes de l'aimant ne sont pas alignées, activant l'aimant.



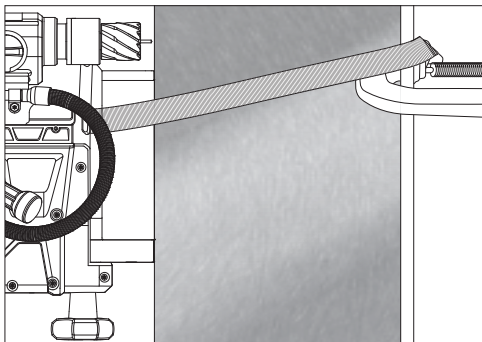
AVERTISSEMENT Pour réduire le risque de blessure, utiliser toujours une sangle de sécurité pour les applications verticales, en hauteur et de tuyau. Le montage peut tomber.

5. Utiliser une sangle de sécurité pour les applications verticales, en hauteur et de tuyau.

A. Faire passer la sangle de sécurité à travers les fentes inférieures et l'envelopper fermement autour d'une structure rigide solide. S'assurer que la sangle n'est pas entortillée.

B. Fermer les mousquetons de la sangle de sécurité. S'assurer que la sangle n'est pas détendue.

C. Pour une utilisation sur une surface verticale, fixer la sangle de sécurité avec un serre-joint en C ou un dispositif similaire. Cela maintiendra la sangle en place et empêchera l'outil de glisser le long de la surface verticale. Ne pas le pincer à la sangle. Ceci pourrait endommager la sangle et la casser.



AVERTISSEMENT Ne pas utiliser le liquide de coupe en hauteur ou dans n'importe quelle autre position qui permettrait au liquide de s'infiltrer dans le boîtier du moteur ou du commutateur.

6. Insérer le bloc-piles.

7. Avec l'interrupteur MARCHE(I) / ARRÊT(O) en position ARRÊT(O), tourner la valve de la bouteille de liquide de coupe en position MARCHE (vers le bas). Le liquide de coupe sera libéré lorsque la goupille centrale entrera en contact avec la surface de travail. Une lubrification incorrecte peut endommager la lame de coupe. L'utilisation du liquide de coupe HAWG WASH® est recommandée pour une plus grande durée de vie des lames. L'opérateur est responsable de l'application de lubrifiants autres que le liquide de coupe HAWG WASH®.

Ne pas utiliser de liquide de coupe pour les applications en hauteur ou verticales. Pour une coupe à vitesse élevée, utiliser uniquement des pâtes lubrifiantes ou des vaporisateurs de graisse recommandés. Ne pas laisser les pâtes lubrifiantes et les jets pénétrer dans l'outil.

AVERTISSEMENT Pour réduire le risque de blessure, garder toujours les mains, les gants, les tissus, les vêtements etc. éloignés des pièces mobiles et des copeaux. Ne pas essayer d'enlever les copeaux pendant que l'outil est en marche. Les copeaux sont tranchants et peuvent attirer des objets dans les pièces mobiles.



8. Démarrer le moteur de la perceuse en tirant l'interrupteur MARCHE(I) / ARRÊT(O), des deux côtés, en position ON(1). Le moteur de la perceuse ne démarre pas si les icônes de l'aimant ne sont pas alignées, activant l'aimant.



AVERTISSEMENT Une force excessive sur la poignée d'alimentation peut désengager l'aimant.

- Même les grands embouts requièrent une petite pression sur la poignée d'alimentation. Lors de l'insertion de la lame dans le matériau, utiliser suffisamment de force pour produire un copeau entortillé. Appliquer une force trop faible produira de petits copeaux cassés et augmentera le temps de coupe. Appliquer une force trop importante entraînera une surchauffe et une durée de vie plus courte de la lame. La surchauffe de la lame est visible lorsque la lame et les copeaux deviennent marron ou bleu. Une force excessive peut entraîner un ralentissement de la lame au point d'augmenter le temps de coupe. L'utilisation de lubrifiants de coupe réduira la chaleur produite par la coupe et augmentera la durée de vie de la lame. Utiliser une pression d'alimentation inférieure lorsque des rainures ou des encoches sont réalisées, car les bords tranchants ont moins de support dans ces situations.
- Maintenir une pression constante pendant toute l'utilisation afin d'empêcher les copeaux et les bavures de tomber sous les bords tranchants. Les débris de coupe sous la lame peuvent rendre la coupe difficile, voire impossible.
- Une fois la coupe effectuée, retirer la lame pendant que la broche tourne encore.
- Arrêter le moteur de la perceuse en poussant le commutateur MARCHE(I) / ARRÊT(O).
- Une fois que la broche s'est arrêtée de tourner, utiliser une pince pour retirer les débris de coupe et les copeaux de la lame et de la broche. Prendre soin de ne pas endommager les dents de la lame.
- La goupille centrale est munie d'un ressort. Fournir une protection aux personnes travaillant à proximité des tronçons éjectés et protéger le matériel situé en dessous de la zone de coupe.
- Empoigner fermement l'outil et faire tourner le bouton de l'aimant pour désengager l'aimant.
- Pour percer un tuyau, utiliser l'adaptateur pour tuyau accessoire 48-10-0130 et la sangle de sécurité.

ENTRETIEN

AVERTISSEMENT Pour minimiser les risques de blessures corporelles, débranchez le chargeur et retirez la batterie du chargeur ou de l'outil avant d'y effectuer des travaux d'entretien. Ne démontez jamais l'outil, la batterie ou le chargeur. Pour toute réparation, consultez un centre de service MILWAUKEE accrédité.

Entretien de l'outil

Gardez l'outil en bon état en adoptant un programme d'entretien ponctuel. Inspectez votre outil pour des questions telles que le bruit excessif, de grippage des pièces mobiles, de pièces cassées ou toute autre condition qui peut affecter le fonctionnement de l'outil. Retournez votre outil à un centre de service MILWAUKEE accrédité pour obtenir le service. Après une période pouvant aller de 6 mois à un an, selon l'usage, retournez votre outil à un centre de service MILWAUKEE accrédité pour d'inspection.

Si l'outil ne démarre pas ou ne fonctionne pas à pleine puissance alors qu'il est branché sur une batterie complètement chargée, nettoyez les points de contact entre la batterie et l'outil. Si l'outil ne fonctionne toujours pas correctement, renvoyez l'outil, le chargeur et la batterie à un centre de service MILWAUKEE accrédité.

AVERTISSEMENT Pour minimiser les risques de blessures ou de dommages à l'outil, n'immergez jamais l'outil, la batterie ou le chargeur et ne laissez pas de liquide s'y infiltrer.

Nettoyage

Débarrassez les tous événements des débris et de la poussière. Gardez les outil propres, à sec et exempts d'huile ou de graisse. Le nettoyage doit se faire avec un linge humide et un savon doux. Certains nettoyeurs tels l'essence, la térébenthine, les diluants à laque ou à peinture, les solvants chlorés, l'ammoniaque et les détergents d'usage domestique qui en contiennent pourraient détériorer le plastique et l'isolation des pièces. Ne laissez jamais de solvants inflammables ou combustibles auprès des outils.

Réparations

Pour les réparations, retournez outil, batterie et chargeur en entier au centre-service autorisé le plus près.

ACCESSOIRES

AVERTISSEMENT L'utilisation d'autres accessoires que ceux qui sont spécifiquement recommandés pour cet outil peut comporter des risques.

Pour une liste complète des accessoires, visiter le site internet www.milwaukeetool.com ou contactez un distributeur.

SERVICE - CANADA

Milwaukee Tool (Canada) Ltd

1.877.948.2360

Monday-Friday, 7:00 AM - 4:30 PM CST

www.milwaukeetool.ca

GARANTIE LIMITÉE - AUX ÉTATS-UNIS ET AU CANADA

Cet outil électrique MILWAUKEE* est garanti à l'acheteur d'origine uniquement par un distributeur agréé de MILWAUKEE d'être exempt de vice du matériau et de fabrication. Sous réserve de certaines exceptions, MILWAUKEE réparera ou remplacera toute pièce de cet outil électrique qui, après examen par MILWAUKEE, est affectée d'un vice de matériau ou de fabrication pendant une période de cinq (5) ans après la date d'achat, sauf indication contraire. Il faudra retourner l'outil électrique à un centre de service en usine MILWAUKEE ou à un poste d'entretien agréé MILWAUKEE, en port préparé et assuré. Une copie de la preuve d'achat doit être présentée lors du retour du produit. Cette garantie ne couvre pas les dommages que MILWAUKEE détermine d'être causés par des réparations ou des tentatives de réparation par quiconque d'autre que le personnel agréé par MILWAUKEE, des utilisations incorrectes, des altérations, des utilisations abusives, une usure normale, une carence d'entretien ou les accidents.

Usure normale : Par rapport à plusieurs outils électriques, il faut remplacer et entretenir leurs pièces afin de jouir de leur rendement optimal. Cette garantie ne couvre pas les cas de réparation lorsque la vie utile normale de la pièce s'est terminée, incluant, sans s'y limiter, les mandrins, les balais, les câbles, les patins de scie, les brides de lame, les joints toriques, les embouts, les buttoirs, les lames d'entraînement, les pistons, les perceurs, les poussoirs et les rondelles de protection de bûche.

* Cette garantie ne couvre ni les blocs-piles ni tous les outils électriques. Veuillez vous reporter aux autres garanties différentes disponibles pour ces produits.

La période durant laquelle la garantie est valable pour la lumière à DEL de la lampe de travail à DEL (49-24-0171) et l'ampoule transformée à DEL (49-81-0090) est d'une durée égale à la vie utile du produit en raison des limites au-dessus. Si la lumière à DEL ou l'ampoule transformée à DEL tombent en panne durant l'utilisation normale, la pièce sera remplacée gratuitement.

L'inscription de la garantie n'est pas nécessaire pour bénéficier de la garantie en vigueur d'un outil électrique MILWAUKEE. La date de fabrication du produit servira à établir la période de garantie si aucune preuve d'achat n'est fournie lorsqu'une demande de service sous garantie est faite.

L'ACCEPTATION DES RECOURS EXCLUSIFS DE RÉPARATION ET DE REMPLACEMENT DÉCRITS PAR LA PRÉSENTE EST UNE CONDITION DU CONTRAT D'ACHAT DE TOUT PRODUIT MILWAUKEE. SI VOUS N'ACCEPTÉZ PAS CETTE CONDITION, VOUS NE DEVEZ PAS ACHETER LE PRODUIT. EN AUCUN CAS MILWAUKEE NE SAURAIT ÊTRE RESPONSABLE DE TOUT DOMMAGE ACCESSOIRE, SPÉCIAL OU INDIRECT, DE DOMMAGES-INTÉRÊTS PUNITIFS OU DE TOUTE DÉPENSE, D'HONORAIRES D'AVOCATS, DE FRAIS, DE PERTE OU DE DÉLAIS ACCESSOIRES À TOUT DOMMAGE, DÉFAILLANCE OU DÉFAUT DE TOUT PRODUIT, Y COMPRIS NOTAMMENT LES PERTES DE PROFIT, CERTAINS ÉTATS ET PROVINCES NE PERMETTANT L'EXCLUSION OU LA LIMITATION DES DOMMAGES DIRECTS OU INDIRECTS, LES RESTRICTIONS CI-DESSOUS PEUVENT NE PAS ÊTRE APPLICABLES. CETTE GARANTIE EST EXCLUSIVE ET REMPLACE TOUTE AUTRE GARANTIE EXPRESSE, QU'ELLE SOIT VERBALE OU ÉCRITE, DANS LA MESURE PERMISE PAR LA LOI. MILWAUKEE RENONCE À TOUTE GARANTIE IMPLICITE, Y COMPRIS, SANS S'Y LIMITER, TOUTE GARANTIE IMPLICITE DE COMMERCIALISABILITÉ OU D'ADAPTATION À UNE UTILISATION OU À UNE FIN PARTICULIÈRE. DANS LA MESURE OU UNE TELLE STIPULATION D'EXONÉRATION N'EST PAS PERMISE PAR LA LOI, LA DURÉE DE CES GARANTIES IMPLICITES EST LIMITÉE À LA PÉRIODE APPLICABLE DE LA GARANTIE EXPRESSE, TELLE QUE CELA EST DÉCRIT PRÉCÉDEMMENT. CERTAINES PROVINCES NE PERMETTANT PAS DE LIMITATION DE DURÉE DES GARANTIES IMPLICITES, LES RESTRICTIONS CI-DESSOUS PEUVENT NE PAS ÊTRE APPLICABLES. LA PRÉSENTE CONFÈRE À L'UTILISATEUR DES DROITS LÉGAUX PARTICULIERS : IL BÉNÉFICIE ÉGALEMENT D'AUTRES DROITS QUI VARIENT D'UNE PROVINCE À L'AUTRE. Cette garantie s'applique uniquement aux produits vendus aux États-Unis et au Canada.

Veuillez consulter l'onglet « Trouver un centre Service », dans la section « Pièces et service » du site web de MILWAUKEE, à l'adresse www.milwaukeeetool.com, ou composer le 1.800.SAWDUST (1.800.729.3878) afin de trouver le centre de service le plus proche dans votre région pour l'entretien, sous garantie ou non, de votre outil électrique MILWAUKEE.

ADVERTENCIAS DE SEGURIDAD GENERALES PARA LA HERRAMIENTA ELÉCTRICA

⚠️ ADVERTENCIA Lea todas las advertencias de seguridad, instrucciones, ilustraciones y especificaciones con esta herramienta eléctrica. Si no sigue todas las advertencias e instrucciones, se pueden provocar una descarga eléctrica, un incendio o lesiones graves. Guarde todas las advertencias e instrucciones para consultarlas en el futuro. El término "herramienta eléctrica" en todas las advertencias incluidas más abajo se refiere a su herramienta operada por conexión (cable) a la red eléctrica o por medio de una batería (inalámbrica).

SEGURIDAD EN EL ÁREA DE TRABAJO

- **Mantenga el área de trabajo limpia y bien iluminada.** Las áreas desordenadas u oscuras son propicias para los accidentes.
- **No utilice herramientas eléctricas en atmósferas explosivas, tales como en presencia de líquidos, gases o polvos inflamables.** Las herramientas eléctricas generan chispas que pueden encender el polvo o los vapores.
- **Mantenga a los niños y a los espectadores alejados mientras utiliza una herramienta eléctrica.** Las distracciones pueden ocasionar la pérdida de control.

SEGURIDAD ELÉCTRICA

- **Los enchufes de la herramienta eléctrica deben coincidir con el tomacorriente. Nunca modifique el enchufe de ninguna manera. No utilice adaptadores de enchufe con herramientas eléctricas aterrizadas.** Los enchufes y tomacorrientes correspondientes sin modificar reducirán el riesgo de descarga eléctrica.
- **Evite el contacto corporal con superficies aterrizadas, tales como tuberías, radiadores, estufas y refrigeradores.** Existe un riesgo mayor de descarga eléctrica si su cuerpo está aterrizado.
- **No exponga las herramientas eléctricas a la lluvia ni a condiciones húmedas.** Si se introduce agua en una herramienta eléctrica, aumentará el riesgo de descarga eléctrica.
- **No maltrate el cable. Nunca utilice el cable para cargar, jalar o desconectar la herramienta eléctrica. Mantenga el cable alejado del calor, el aceite, los bordes afilados o las partes en movimiento.** Los cables dañados o enredados aumentan el riesgo de descarga eléctrica.
- **Al utilizar una herramienta eléctrica en exteriores, utilice una extensión adecuada para uso en exteriores.** El uso de una extensión adecuada para el uso en exteriores disminuye el riesgo de descarga eléctrica.
- **Si es inevitable utilizar una herramienta eléctrica en un lugar húmedo, utilice un alimentador de corriente protegido con un interruptor de circuito por falla de conexión a tierra (GFCI).** El uso de un GFCI reduce el riesgo de descarga eléctrica.

SEGURIDAD PERSONAL

- **Manténgase alerta, atento a lo que está haciendo y utilice el sentido común al utilizar una herramienta eléctrica. No utilice una herramienta eléctrica mientras está cansado o bajo la influencia de drogas, alcohol o medicamentos.** Un momento de distracción al utilizar herramientas eléctricas puede ocasionar lesiones personales graves.

- **Utilice equipo de protección personal. Siempre use protección para los ojos.** El equipo de protección, tal como una máscara contra polvo, calzado antideslizante, casco o protección auditiva, utilizado para condiciones adecuadas disminuirá las lesiones personales.
- **Evite el arranque accidental. Asegúrese de que el interruptor esté en la posición de apagado antes de conectarlo a una fuente de poder y/o batería, levantar o trasladar la herramienta.** Trasladar herramientas con el dedo en el interruptor o energizar herramientas eléctricas que tienen el interruptor encendido propicia accidentes.
- **Retire cualquier llave de ajuste antes de entender la herramienta.** Una llave que se deje insertada en una parte giratoria de la herramienta eléctrica puede ocasionar lesiones personales.
- **No estire el cuerpo demasiado. Mantenga un buen contacto entre los pies y el suelo y mantenga el equilibrio en todo momento.** Esto permite un mejor control de la herramienta eléctrica en situaciones inesperadas.
- **Vístase adecuadamente. No utilice ropa o joyería holgada. Mantenga el cabello y la ropa alejados de las partes móviles.** La ropa holgada, las alhajas o el cabello largo pueden quedarse atrapados en las partes móviles.
- **Si se proporcionan dispositivos para la conexión de instalaciones de extracción y recolección de polvo, cerciódese de que estén conectados y se utilicen correctamente.** El uso de dispositivos recolectores de polvo puede disminuir los riesgos relacionados con el polvo.
- **No permita que la familiaridad por el uso frecuente de las herramientas lo hagan sentirse seguro e ignorar los principios de seguridad de las herramientas.** Un descuido puede provocar lesiones graves en una fracción de segundo.
- **Dé mantenimiento a las herramientas eléctricas y accesorios. Verifique que no haya desalineación, amarre de partes móviles, partes rotas o alguna otra condición que pueda afectar el funcionamiento de la herramienta eléctrica. Si se daña, asegúrese de que la herramienta eléctrica sea reparada antes de que se utilice.** Muchos accidentes son ocasionados por herramientas eléctricas con mantenimiento deficiente.
- **Mantenga las herramientas de corte afiladas y limpias.** Las herramientas de corte correctamente mantenidas con bordes de corte afilados son menos propensas a atorarse y son más fáciles de controlar.
- **Utilice la herramienta eléctrica, los accesorios y las puntas, etc. de acuerdo con estas instrucciones, tomando en cuenta las condiciones de trabajo y el trabajo a realizar.** El uso de la herramienta eléctrica para operaciones diferentes a las previstas podría generar una situación peligrosa.
- **Mantenga las empuñaduras y ñas superficies de sujeción secas, limpias y libres de aceite y grasa.** Las empuñaduras y superficies de sujeción resbalosas no permiten el manejo y control seguros de la herramienta en situaciones inesperadas.

USO Y CUIDADO DE LAS HERRAMIENTAS CON BATERÍA

- **Recargue únicamente con el cargador especificado por el fabricante.** Un cargador que es adecuado para un tipo de batería puede crear un riesgo de incendio si se utiliza con otra batería.
- **Utilice las herramientas eléctricas únicamente con baterías específicamente diseñadas.** El uso de cualquier otra batería puede producir un riesgo de lesiones e incendio.
- **Cuando la batería no esté en uso, manténgala alejada de otros objetos metálicos como sujetapapeles, monedas, llaves, clavos, tornillos u otros objetos metálicos pequeños que puedan formar una conexión de una terminal a otra.** Crear un corto entre las terminales de la batería puede ocasionar quemaduras o un incendio.
- **Bajo condiciones de maltrato, el líquido puede ser expulsado de la batería, evite el contacto. En caso de contacto accidental, lave con agua. Si el líquido entra en contacto con los ojos, busque además ayuda médica.** El líquido expulsado de la batería puede causar irritación o quemaduras.
- **No use una batería o herramienta que se haya dañado o modificado.** Las baterías dañadas o modificadas pueden mostrar un comportamiento impredecible, causando incendios, explosión o riesgo de lesión.
- **No exponga una batería o herramienta al fuego o a temperatura excesiva.** La exposición a fuego o temperatura a más de 130° C (265° F) puede causar explosiones.
- **Siga todas las instrucciones de carga y no cargue la batería o la herramienta fuera del rango de temperatura especificado en las instrucciones.** La carga incorrecta o a temperaturas fuera del rango especificado puede dañar la batería y aumentar el riesgo de incendio.
- **No fuerce la herramienta eléctrica. Utilice la herramienta eléctrica correcta para su aplicación.** La herramienta eléctrica correcta realizará el trabajo mejor y con mayor seguridad a la velocidad para la que fue diseñada.
- **No utilice la herramienta eléctrica si el interruptor no la enciende y la apaga.** Cualquier herramienta eléctrica que no pueda controlarse con el interruptor es peligrosa y debe repararse.
- **Desconecte el enchufe de la fuente de energía y/o quite la batería de la herramienta eléctrica, si es posible, antes de realizar cualquier ajuste, cambiar accesorios o almacenar las herramientas eléctricas.** Tales medidas preventivas de seguridad disminuyen el riesgo de que la herramienta eléctrica se encienda accidentalmente.
- **Almacene las herramientas eléctricas que no se estén utilizando fuera del alcance de los niños y no permita que personas que no estén familiarizadas con la herramienta eléctrica o con estas instrucciones la utilicen.** Las herramientas eléctricas son peligrosas en manos de usuarios sin capacitación.

MANTENIMIENTO

- **Lleve su herramienta eléctrica a servicio con un técnico calificado que use únicamente piezas de reemplazo idénticas.** Esto asegurará que la seguridad de la herramienta eléctrica se mantenga.
- **Nunca dé servicio a baterías dañadas.** Únicamente el fabricante o proveedores de servicio autorizados deben dar servicio a las baterías.

REGLAS ESPECÍFICAS DE SEGURIDAD PARA TALADROS MAGNÉTICOS

- **Siempre use una cadena de seguridad.** El montaje puede soltarse.
- **PELIGRO** Para reducir el riesgo de lesiones, siempre mantenga las manos, los guantes, los trapos, la ropa, etc. alejados de las piezas en movimiento y las virutas. No intente remover las virutas mientras la broca esté girando. Las virutas son afiladas y pueden jalar objetos hacia las partes móviles.
- **Limpie la superficie antes de unir la base del taladro a la superficie de trabajo.** La pintura, el óxido, el sarro o las superficies desiguales disminuyen la fuerza de sujeción del imán. Las virutas, las rebabas, la suciedad y otros materiales extraños sobre la superficie de la base del imán también disminuirán la potencia de sujeción.
- **No coloque la base magnética a grados no magnéticos de acero inoxidable.** La base del imán NO se adherirá. El taladro magnético permanente se une magnéticamente a material ferroso de 6 mm (1/4") o mayor grosor. No se use en material de menos de 6 mm (1/4").
- **Sostenga la herramienta eléctrica de las superficies de sujeción aisladas al llevar a cabo una operación en la que el accesorio de corte pueda hacer contacto con cableado oculto.** El contacto del accesorio de corte con un cable que conduzca electricidad puede hacer que las partes metálicas de la herramienta se electrifiquen y podría ocasionar una descarga eléctrica al operador.
- **Correa de seguridad**
 - **No use cerca de ácidos o agentes de blanqueamiento.**
 - **No use para levantar objetos sobre el nivel de la cabeza.**
 - **No use la correa si hay cortes en el tejido.**
 - **El tejido debe ser protegido de bordes afilados.**
 - **Toda la tornillería debe estar en línea con la dirección de tiro para la capacidad nominal.**
- **Válgase siempre de su sentido común y sea cuidadoso cuando utilice herramientas.** No es posible anticipar todas las situaciones que podrían tener un desenlace peligroso. No utilice esta herramienta si no entiende estas instrucciones de uso o si considera que el trabajo a realizar supera sus capacidades, comuníquese con Milwaukee Tool o con un profesional capacitado para recibir capacitación o información adicional.

- **Conserve las etiquetas y las placas nominales.** Contienen información importante. Si son ilegibles o no están presentes, comuníquese con un centro de servicio MILWAUKEE para obtener un reemplazo gratuito.

- **ADVERTENCIA** Algunos polvos generados por el lijado eléctrico, aserrado, pulido, taladrado y otras actividades de construcción contienen químicos identificados como causantes de cáncer, defectos congénitos u otros daños reproductivos. Algunos ejemplos de estos químicos son:
 - plomo de pintura basada en plomo
 - dióxido de silicio de los ladrillos y el cemento y otros productos de albañilería y
 - arsénico y cromo de madera con tratamiento químico.Su riesgo por estas exposiciones varía, dependiendo de la frecuencia con que realice este tipo de trabajo. Para reducir su exposición a estos químicos: trabaje en un área bien ventilada y trabaje con equipo de seguridad aprobado, como mascarillas protectoras contra polvo especialmente diseñadas para filtrar partículas microscópicas.

SIMBOLOGÍA



Volts



Corriente continua

n₀ XXXX min⁻¹ Revoluciones por minuto sin carga (RPM)



PELIGRO Para reducir el riesgo de lesiones, siempre mantenga las manos, los guantes, los trapos, la ropa, etc. alejados de las piezas en movimiento y las virutas. No intente remover las virutas mientras la broca esté girando. Las virutas son afiladas y pueden jalar objetos hacia las partes móviles.



Leer el manual del operador

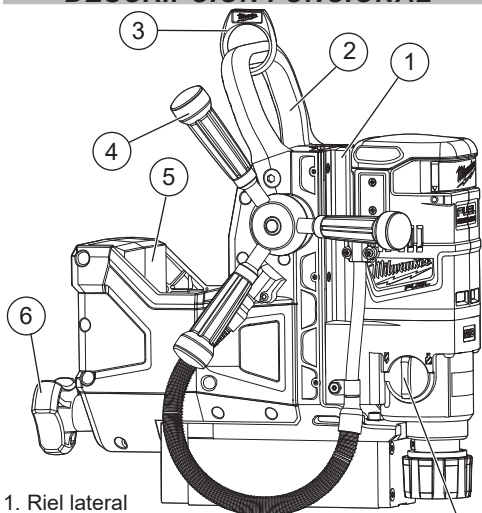


UL Listing Mark para Canadá y Estados Unidos

ESPECIFICACIONES

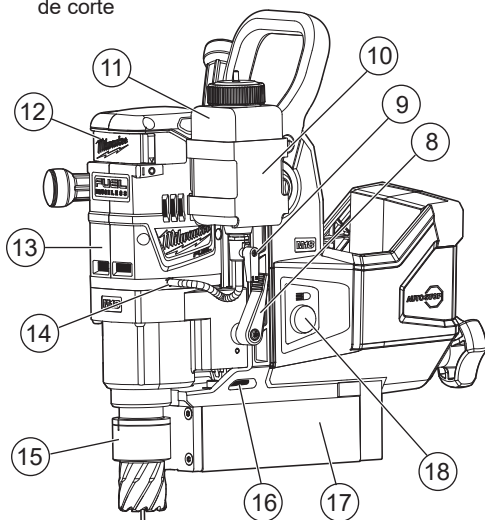
Cat. No. 2787-20, 2788-20
Volts..... 18 CD
Tipo de batería M18™
Tipo de cargador M18™
RPM..... Alta 690 / Baja 400
Taladro helicoidal* 13 mm (1/2")
Broca HSS..... 38 mm (1-1/2")
Temperatura ambiente recomendada
para operar -18°C a 50°C (0°F a 125°F)
* Requiere el uso de un adaptador de mandril de 13 mm (1/2").

DESCRIPCION FUNCIONAL



1. Riel lateral
2. Asa para traslado
3. Anillo de amarre de acero (únicamente 2788-20)
4. Empuñadura de alimentación
5. Compartimiento de baterías
6. Perilla de activación de imán
7. Selector de velocidad
8. Palanca de ajuste de motor
9. Válvula de fluido de corte
10. Soporte de fluido de corte

11. Frasco de fluido de corte
12. Interruptor de ENCENDIDO(I) / APAGADO(O)
13. Motor de taladro
14. Conexión de fluido de corte
15. Eje de cambio rápido
16. Soporte de correa de seguridad (no se muestra la correa)
17. Base magnética
18. Botón de LED



ENSAMBLAJE

⚠ ADVERTENCIA Recargue la batería sólo con el cargador especificado para ella. Para instrucciones específicas sobre cómo cargar, lea el manual del operador suministrado con su cargador y la batería.

Como se inserta/quita la batería en la herramienta

Para retirar la batería, presione los botones de liberación y jale de la batería para sacarla de la herramienta.

⚠ ADVERTENCIA Siempre retire la batería cada vez que la herramienta no esté en uso.

Para introducir la batería, deslícela en el cuerpo de la herramienta. Asegúrese de que quede bien firme en su posición.

⚠ ADVERTENCIA Utilice únicamente accesorios específicamente recomendados para esta herramienta. El uso de accesorios no recomendados podría resultar peligroso.

Instalación de la empuñadura de alimentación

1. Alinee el yunque y deslice la empuñadura en su lugar en el lado deseado de la herramienta.
 2. Para retirar, presione el botón central y jale la empuñadura, separándola de la herramienta.
- No use una llave, tubo ni ninguna otra palanca en lugar de la empuñadura de alimentación.

Palanca de ajuste de motor

La palanca de ajuste del motor se usa para elevar y bajar el motor en el riel lateral. Siempre sostenga el motor firmemente antes de aflojar la palanca de ajuste.

Instalación del frasco del fluido de corte

1. Asegúrese de que la válvula esté en la posición apagada (lateral).
2. Llene el frasco con fluido de corte HAWG WASH®.
3. Una el soporte inferior del frasco al taladro.
4. Una la manguera a la conexión a un costado del taladro.

OPERACION

⚠ADVERTENCIA Para reducir el riesgo de lesiones, extraiga siempre la batería antes de acoplar o desacoplar accesorios. Utilice únicamente accesorios específicamente recomendados para esta herramienta. El uso de accesorios no recomendados podría resultar peligroso.

Con el fin de minimizar el riesgo de lesiones, siempre utilice la protección de ojos adecuada indicada para cumplir con lo dispuesto en la norma ANSI Z87.1.

Operación típica

1. Revise la superficie de trabajo para asegurarse de que esté limpia y libre de materiales extraños. La pintura, el óxido, el sarro o las superficies desiguales disminuyen la fuerza de sujeción del imán. Las virutas, las rebabas, la suciedad y otros materiales extraños sobre la superficie de la base magnética también disminuirán la potencia de sujeción. Use una lima lisa y plana para mantener el imán limpio y libre de mellas.

El taladro se une magnéticamente a material ferroso de 6 mm (1/4") o mayor grosor. No se use en material de menos de 6 mm (1/4"). La base magnética NO se adherirá a acero inoxidable de grados no magnéticos.

2. Para instalar/retirar la broca:

A. Quite la batería.

B. Levante el motor del taladro a su posición más alta en el riel lateral.

C. Gire el eje de cambio rápido. Inserte la broca en el eje y libere el cuello. Tire de la broca para asegurarse de que esté firme. La broca debe estar totalmente asentada en el husillo.


E. Revierta el procedimiento para quitar la broca.

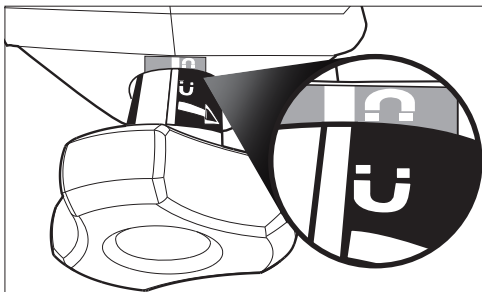
NOTA: No quite la broca a menos que se retire la pieza de corte. La pieza de corte puede expulsarse inesperadamente. Evite el contacto con las puntas de la broca. Inspeccione periódicamente las puntas de la broca para detectar puntas flojas o dañadas.

NOTA: Si el cortador no se libera del eje cuando se gira el collar, use unas pinzas de presión para sujetar el cortador de arriba de las acanaladuras del cortador. Sujetando el collar firmemente con una mano, gire las pinzas en dirección de las manecillas del reloj para soltar el cortador del eje.

⚠ADVERTENCIA Para disminuir el riesgo de lesiones, no sostenga la pieza de trabajo en la mano.

3. Seleccione alta velocidad  o baja velocidad , dependiendo de su aplicación.

4. Posicione la herramienta de manera que la chaveta central esté directamente sobre el lugar de corte deseado. Gire la perilla del imán para activarlo. Los íconos del imán se alinearán . El motor del taladro no arrancará si los íconos del imán no están alineados, activando el imán.



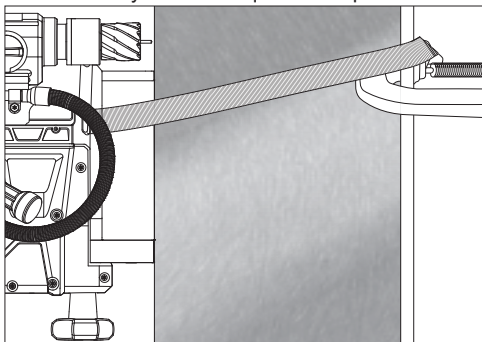
⚠ADVERTENCIA Para reducir el riesgo de lesiones, siempre use una correa de seguridad en aplicaciones verticales, en alturas y en tuberías. El montaje puede soltarse.

5. Use una correa de seguridad en aplicaciones verticales, en alturas y en tuberías.

A. Enrute la correa de seguridad a través de las ranuras inferiores y enróllela firmemente alrededor de una estructura sólida y rígida. Asegúrese de que la correa no esté torcida.

B. Junte y presione entre sí los ganchos de presión de la correa de seguridad. Elimine cualquier holgura de la correa.

C. Al usar en una superficie vertical, asegure la correa de seguridad con una prensa G o un dispositivo similar. Esto mantendrá la correa en su lugar e impedirá que la herramienta se deslice hacia abajo por la superficie vertical. No la sujete a la correa. Esto puede dañar la correa y ocasionar que se rompa.



⚠ ADVERTENCIA No use fluido de corte en alturas o en otra posición que permita que el fluido de corte entre al motor o al alojamiento del interruptor.

6. Inserte la batería.

7. Con el interruptor de ENCENDIDO(I) / APAGADO(O) en la posición de APAGADO(O), gire la válvula del frasco del fluido de corte a la posición de ENCENDIDO (hacia abajo). Se liberará fluido de corte a medida que la chaveta central entre en contacto con la superficie de trabajo.

Si la lubricación no es adecuada, se ocasionarán daños a la broca. Se recomienda usar el fluido de corte HAWG WASH® para una larga vida de estas brocas. El operador es responsable de la aplicación de lubricantes que no sean el fluido de corte HAWG WASH®.

En aplicaciones en alturas o verticales, no use fluido de corte. Use únicamente pastas o aerosoles lubricantes recomendados para corte a alta velocidad. No permita que las pastas y aerosoles lubricantes se introduzcan a la herramienta.

⚠ ADVERTENCIA Para reducir el riesgo de lesiones, siempre mantenga las manos, los guantes, los trapos, la ropa, etc. alejados de las piezas en movimiento y las virutas. No intente remover las virutas mientras la broca esté girando. Las virutas son afiladas y pueden jalar objetos hacia las partes móviles.



8. Encienda el motor del taladro tirando del interruptor de ENCENDIDO(I)/APAGADO(O) hacia afuera, por ambos lados, a la posición de encendido (I). El motor del taladro no arrancará si los iconos del imán no están alineados, activando el imán.



⚠ ADVERTENCIA La fuerza excesiva en la empuñadura de alimentación soltará el imán.

9. Incluso las brocas largas requieren solo una pequeña cantidad de presión en la empuñadura de alimentación.

Al introducir la broca en el material, aplique únicamente suficiente fuerza para producir una viruta enroscada. Aplicar muy poca fuerza ocasionará que se produzcan pequeñas virutas quebradas y aumentará el tiempo de corte. Aplicar demasiada fuerza ocasionará sobrecalentamiento de la broca, acortando la vida útil de la misma. El sobrecalentamiento de la broca puede observarse cuando la broca y las virutas se tornan color café o azul. La fuerza excesiva puede provocar que la broca baje de velocidad a un punto en que el tiempo de corte aumentará. El uso de lubricantes de corte reducirá el calor de corte y aumentará la vida de la broca. Utilice menos presión de alimentación al formar ranuras o muescas, puesto que hay menos soporte para los bordes de corte en estas situaciones.

10. Mantenga la presión constante durante toda la operación para impedir que las virutas y rebabas caigan debajo de los filos de corte. Los desechos de corte debajo de la broca pueden dificultar o imposibilitar el corte.

11. Al terminar el corte, retire la broca mientras el husillo sigue girando.

12. Detenga el motor del taladro oprimiendo el interruptor de ENCENDIDO(I) / APAGADO(O).

13. Cuando el husillo haya dejado de girar, use unas pinzas para retirar los desechos y las virutas de corte de la broca y el husillo. Tenga cuidado de no dañar los dientes de la broca.

14. La chaveta central se carga mediante un mecanismo de muelle. Proporcione protección contra las piezas cortadas expulsadas para las personas u objetos que se encuentran debajo del taladro.

15. Sujete firmemente la herramienta y gire la perilla del imán para desactivarlo.

16. Al taladrar tubos, use el accesorio adaptador para tubos 48-10-0130 y la correa de seguridad.

MANTENIMIENTO

⚠ ADVERTENCIA Para reducir el riesgo de una lesión, desconecte siempre la herramienta antes de darle cualquier mantenimiento. Nunca desarme la herramienta ni trate de hacer modificaciones en el sistema eléctrico de la misma. Acuda siempre a un Centro de Servicio MILWAUKEE para TODAS las reparaciones.

Mantenimiento de las herramientas

Adopte un programa regular de mantenimiento y mantenga su herramienta en buenas condiciones. Inspeccione la herramienta para problemas como ruidos indebidos, desalineadas o agarradas de partes móviles, piezas rotas o cualquier otra condición que pueda afectar el funcionamiento de la herramienta. Envíe su herramienta al Centro de Servicio MILWAUKEE para reparación. Después de 6 meses a un año, dependiendo del uso dado, envíe su herramienta al Centro de Servicio MILWAUKEE más cercano para la inspección.

Si la herramienta no arranca u opera a toda su potencia con una batería completamente cargada, limpie, con una goma o borrador, los contactos de la batería y de la herramienta. Si aun así la herramienta no trabaja correctamente, regrésela, con el cargador y la batería, a un centro de servicio MILWAUKEE.

⚠ ADVERTENCIA Para reducir el riesgo de lesiones, descarga eléctrica o daño a la herramienta, nunca la sumerja en líquidos ni permita que estos fluyan dentro de la misma.

Limpieza

Limpie el polvo y suciedad de las cualquier ventilas. Mantenga los herramienta, limpios, secos y libres de aceite o grasa. Use solo jabón neutro y un trapo húmedo para limpiar, ya que algunos substancias y solventes limpiadores son dañinos a los plásticos y partes aislantes. Algunos de estos incluyen: gasolina, turpentina, thinner, lacas, thinner para pinturas, solventes para limpieza con cloro, amoníaco y detergentes caseros que tengan amonía. Nunca usa solventes inflamables o combustibles cerca de una herramienta.

Reparaciones

Si su herramienta, batería o cargador están dañados, envíela al centro de servicio autorizado más cercano.

ACCESORIOS

⚠ ADVERTENCIA Utilice sólo los accesorios específicamente recomendados. Otros accesorios puede ser peligrosos.

Para una lista completa de accesorios, visite nuestro sitio en Internet: www.milwaukeetool.com o póngase en contacto con un distribuidor.

SOPORTE DE SERVICIO - MEXICO

CENTRO DE ATENCION A CLIENTES

Techtronc Industries Mexico, S.A. de C.V.

Av. Presidente Masarik 29 Piso 7

11560 Polanco V Seccion

Miguel Hidalgo, Distrito Federal, México

01 (800) 030-7777 o (55) 4160-3540

Lunes a Viernes (9am a 6pm)

O contáctanos en www.milwaukeetool.com.mx

GARANTÍA LIMITADA - E.U.A. Y CANADA

Esta herramienta eléctrica de MILWAUKEE® está garantizada, ante el comprador original únicamente, por parte de un distribuidor autorizado MILWAUKEE, de que no tenga material y mano de obra defectuosos. Sujeto a ciertas excepciones, MILWAUKEE reparará o sustituirá cualquier pieza de esta herramienta eléctrica que tenga defectos de material o mano de obra según lo determine MILWAUKEE mediante una revisión, por un periodo de cinco (5) años después de la fecha de compra a menos que se indique lo contrario. Al devolver la herramienta eléctrica a un centro de servicio de fábrica de MILWAUKEE o a una estación de servicio autorizada de MILWAUKEE, es necesario que la devolución se haga con flete pagado por adelantado y asegurado. Se debe incluir una copia del comprobante de compra con el producto devuelto. Esta garantía no aplica a daños que MILWAUKEE determine que son ocasionados por reparaciones o intentos de reparaciones realizados por una persona que no sea personal autorizado de MILWAUKEE, uso indebido, alteraciones, maltrato, desgaste normal, falta de mantenimiento o accidentes.

Desgaste normal: Muchas herramientas eléctricas necesitan cambios de piezas y mantenimiento periódicos para alcanzar su máximo rendimiento. Esta garantía no cubre la reparación cuando el uso normal ha agotado la vida útil de una pieza, incluyendo, entre otros, mandriles, cepillos, cables, zapatas de la sierra, abrazaderas de la hoja, juntas tóricas, sellos, protectores, hojas de accionamiento, pistones, herrajes, levantadores y arandelas de cubierta de los protectores.

*La presente garantía no cubre ni las baterías ni todas las herramientas eléctricas. Consulte las distintas garantías independientes que están disponibles para estos productos.

La vigencia de la garantía de la luz LED en la lámpara LED de trabajo (49-24-0171) y el foco mejorado de LED (49-81-0090) es la misma que la vida útil del producto sujeto a las limitaciones anteriores. Si la luz LED o el foco mejorado LED presentan fallas durante su uso normal, se cambiará la pieza sin costo.

No es necesario realizar el registro de la garantía para recibir la garantía correspondiente a un producto de herramienta eléctrica de MILWAUKEE. La fecha de fabricación del producto servirá para determinar la vigencia de la garantía en caso de que no presente ningún comprobante de compra al solicitar el servicio en garantía.

LA ACEPTACIÓN DE LOS RESARCIMIENTOS EXCLUSIVOS DE REPARACIÓN Y SUSTITUCIÓN AQUÍ DESCRITOS ES UNA CONDICIÓN DEL CONTRATO EN CUANTO A LA COMPRA DE TODO PRODUCTO DE MILWAUKEE. SI USTED NO ACEPTA ESTA CONDICIÓN, NO DEBE COMPRAR EL PRODUCTO. MILWAUKEE NO SERÁ RESPONSABLE EN NINGUN CASO DE DAÑOS INCIDENTALES, ESPECIALES, EMERGENTES O PUNITIVOS NI DE NINGUN COSTO, HONORARIOS DE ABOGADOS, GASTOS, PÉRDIDAS O DEMORAS QUE SUPUESTAMENTE SEAN CONSECUENCIA DE ALGUN DAÑO, FALLA O DEFECTO DE ALGUNO DE LOS PRODUCTOS, INCLUYENDO, ENTRE OTROS, RECLAMACIONES POR PÉRDIDA DE UTILIDADES. ALGUNOS ESTADOS NO PERMITEN LA EXCLUSIÓN O LIMITACIÓN DE RESPONSABILIDAD POR DAÑOS INCIDENTALES O EMERGENTES, POR LO QUE LA ANTERIOR LIMITACIÓN O EXCLUSIÓN PODRÍA NO APLICARSE EN SU CASO. ESTA GARANTÍA ES EXCLUSIVA Y SUSTITUYE TODAS LAS DEMÁS GARANTÍAS EXPRESAS, SEAN ESTAS ESCRITAS U ORALES. HASTA DONDE PERMITA LA LEY, MILWAUKEE DESCONOCE CUALQUIER GARANTÍA IMPLÍCITA, INCLUYENDO, SIN LIMITACIÓN, CUALQUIER GARANTÍA IMPLÍCITA DE COMERCIABILIDAD O IDONEIDAD PARA UN FIN O USO ESPECÍFICO; HASTA EN QUE DICHO DESCONOCIMIENTO NO SEA PERMITIDO POR LA LEY, DICHAS GARANTÍAS IMPLÍCITAS SE LIMITAN A LA DURACIÓN DE LA GARANTÍA EXPRESA CORRESPONDIENTE SEGÚN LO ARRIBA DESCRITO. ALGUNOS ESTADOS NO PERMITEN LIMITACIONES EN LA VIGENCIA DE UNA GARANTÍA IMPLÍCITA, POR LO QUE LA ANTERIOR LIMITACIÓN PODRÍA NO APLICAR A USTED. ESTA GARANTÍA LE CONFIERE DERECHOS JURÍDICOS ESPECÍFICOS Y USTED PODRÍA, ADEMÁS, TENER OTROS DERECHOS QUE VARIAN SEGÚN EL ESTADO.

Esta garantía aplica únicamente a los productos vendidos en EE. UU. y Canadá.

Consulte la pestaña "Búsqueda de centro de servicio" en la sección de Partes y servicio del sitio web de MILWAUKEE en www.milwaukeetool.com o llame al 1.800.SAWDUST (1.800.729.3878) para localizar su centro de servicio más cercano para darle servicio, con y sin garantía, a una herramienta de MILWAUKEE.

PÓLIZA DE GARANTÍA - VALIDA SOLO PARA MEXICO, AMÉRICA CENTRAL Y EL CARIBE

La garantía de TECHTRONIC INDUSTRIES es por 5 años a partir de la fecha original de compra.

Esta tarjeta de garantía cubre cualquier defecto de material y mano de obra en ese Producto.

Para hacer válida esta garantía, presente esta tarjeta de garantía, cerrada/sellada por el distribuidor o la tienda donde compró el producto, al Centro de Servicio Autorizado (ASC). O, si esta tarjeta no se ha cerrado/sellado, presente la prueba original de compra a ASC. Llame 55 4160-3547 para encontrar el ASC más cercano, para servicio, partes, accesorios o componentes.

Procedimiento para hacer válida esta garantía

Lleve el producto a ASC, junto con la tarjeta de garantía cerrada/sellada por el distribuidor o la tienda donde compró el producto, y cualquier pieza o componente defectuoso se reemplazará sin costo para usted. Cubriremos todos los costos de flete con relación a este proceso de garantía.

Excepciones

Esta garantía no tendrá validez en las siguientes situaciones:

- cuando el producto se use de manera distinta a la que indica el manual del usuario final o de instrucciones.
- cuando las condiciones de uso no sean normales.
- cuando otras personas no autorizadas por TECHTRONIC INDUSTRIES modifiquen o reparen el producto.

Nota: si el juego de cables está dañado, tiene que reemplazarse en un Centro de Servicio Autorizado para evitar riesgos eléctricos.

CENTRO DE SERVICIO Y ATENCIÓN

Llame al 55 4160-3547

IMPORTADO Y COMERCIALIZADO POR

TECHTRONIC INDUSTRIES, MÉXICO, S.A. DE C.V.

Miguel de Cervantes Saavedra No.301 Piso 5, Torre Norte

11520 Colonia Ampliación Granada

Miguel Hidalgo, Ciudad de México, México

Modelo: _____

Fecha de Compra: _____

Sello del Distribuidor: _____

MILWAUKEE TOOL
13135 West Lisbon Road
Brookfield, WI 53005 USA

58140033d5
01/23

961016363-01(A)
Printed in China