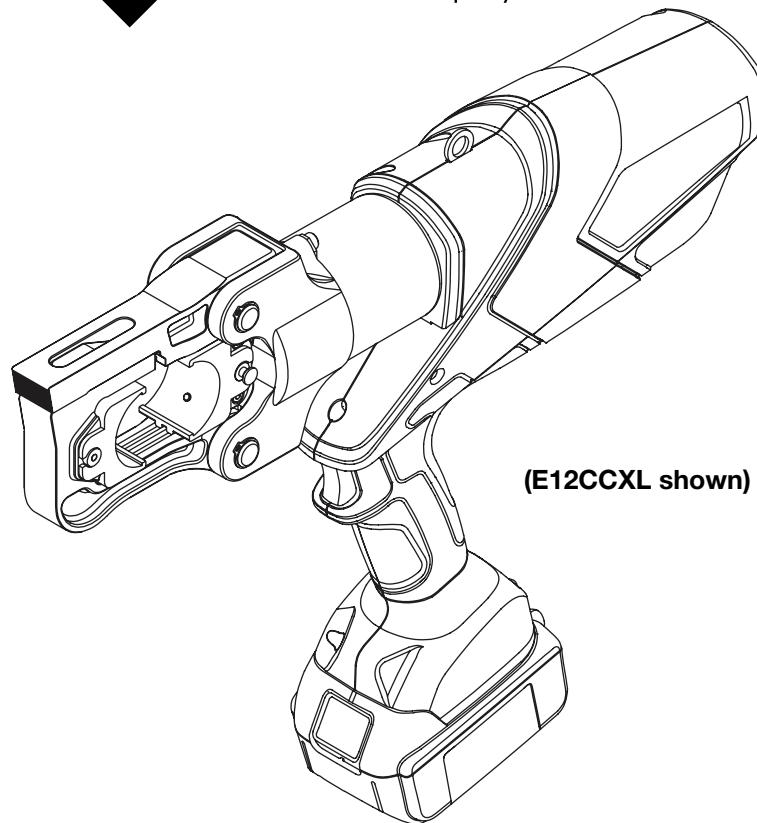


# SERVICE MANUAL



## **GATOR**<sup>®</sup> **Battery-powered Pistol Grip X Tools**



**Read and understand** all of the instructions and safety information in this manual before operating or servicing this tool.

Register this product at [www.greenlee.com](http://www.greenlee.com)

## Table of Contents

Safety .....	2
Purpose of this Manual .....	2
Other Publications .....	2
Main Illustration—All Tools .....	4
Main Parts List—All Tools.....	5
Motor Illustration and Parts List—All Tools .....	6
Release Lever Illustration and Parts List—All Tools .....	6
Pump Illustration and Parts List	
E6CCXL, EK6ATL, EK6FTL, EK622PL, ESC85L, ESG50L.....	7
E12CCXL, EK12IDL, EK1230L, EK1240L, EK1240CL, EK1240KL, EK1550L, EK1550FL, ESC105L, ESG55L, ESG105L .....	8
Relief Valve Illustration and Parts List—All Tools .....	9
Piston Pump Illustration and Parts List—All Tools .....	9
Head and Ram Illustration and Parts List	
E6CCXL .....	10
E12CCXL .....	11
EK6ATL .....	12
EK6FTL .....	13
EK12IDL.....	14
Indenter and Head Replacement .....	15
EK425PL .....	16
EK622PL .....	19
EK1230L .....	20
EK1240L, EK1240CL .....	21
EK1240KL .....	22
EK1550L .....	23
EK1550FL .....	24
ESC85L.....	25
ESC105L.....	26
ESG50L.....	27
ESG55L.....	28
ESG105L.....	29
Accessories—E6CCXL and E12CCXL .....	30

## Safety

Safety is essential in the use and maintenance of Greenlee tools and equipment. This manual and any markings on the tool provide information for avoiding hazards and unsafe practices related to the use of this tool. Observe all of the safety information provided.

## Purpose of this Manual

This manual is intended to familiarize authorized Greenlee service personnel with the service parts for the Greenlee Battery-powered Pistol Grip X Tools listed on this page.

Keep this manual available to all personnel.

Replacement manuals are available upon request at no charge at [www.greenlee.com](http://www.greenlee.com).

## Other Publications

### Operation Manuals

- E6CCXLX 52080026
- E12CCXLX 52080025
- EK6ATLX 52080022
- EK6FTLX 52080023
- EK12IDLX 52080024
- EK425PLX 52081374
- EK622PLX 52080014
- EK1230LX 52080017
- EK1240LX 52080016
- EK1240CLX 52080016
- EK1240KLX 52080018
- EK1550LX 52080020
- EK1550FLX 52080019
- ESC85LX 52080033
- ESC105LX 52080033
- ESG50LX 52080033
- ESG55LX 52080033
- ESG105LX 52080033



**Do not discard this product or throw away!**

For recycling information, go to [www.greenlee.com](http://www.greenlee.com).

All specifications are nominal and may change as design improvements occur. Greenlee Textron Inc. shall not be liable for damages resulting from misapplication or misuse of its products. GATOR is a registered trademark of Textron Innovations Inc.

# KEEP THIS MANUAL

## IMPORTANT SAFETY INFORMATION



### SAFETY ALERT SYMBOL

This symbol is used to call your attention to hazards or unsafe practices which could result in an injury or property damage. The signal word, defined below, indicates the severity of the hazard. The message after the signal word provides information for preventing or avoiding the hazard.

#### **⚠ DANGER**

Immediate hazards which, if not avoided, **WILL** result in severe injury or death.

#### **⚠ WARNING**

Hazards which, if not avoided, **COULD** result in severe injury or death.

#### **⚠ CAUTION**

Hazards or unsafe practices which, if not avoided, **MAY** result in injury or property damage.



#### **⚠ WARNING**

Skin injection hazard:

Do not use hands to check for oil leaks. Oil under pressure easily punctures skin. If injured, seek medical attention immediately to remove oil.

Failure to observe this warning could result in serious injury, gangrene, or death.



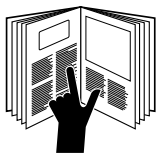
#### **⚠ WARNING**

Do not use solvents or flammable liquids to clean the tool body. Solvents or flammable liquids could ignite and cause serious injury or property damage.

#### **⚠ WARNING**

Do not dispose of batteries in a fire. They will vent fumes and may explode.

Failure to observe this warning could result in severe injury from harmful fumes or burns from flying debris.



#### **⚠ WARNING**

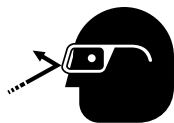
Read and understand all of the instructions and safety information in this manual before operating or servicing this tool. Refer also to the Operation Manual, which is listed under "Other Publications."

Failure to observe this warning could result in severe injury or death.

#### **⚠ CAUTION**

Do not perform any service or maintenance other than as described in this manual. Injury or damage to the tool may result.

Failure to observe this precaution may result in injury and property damage.



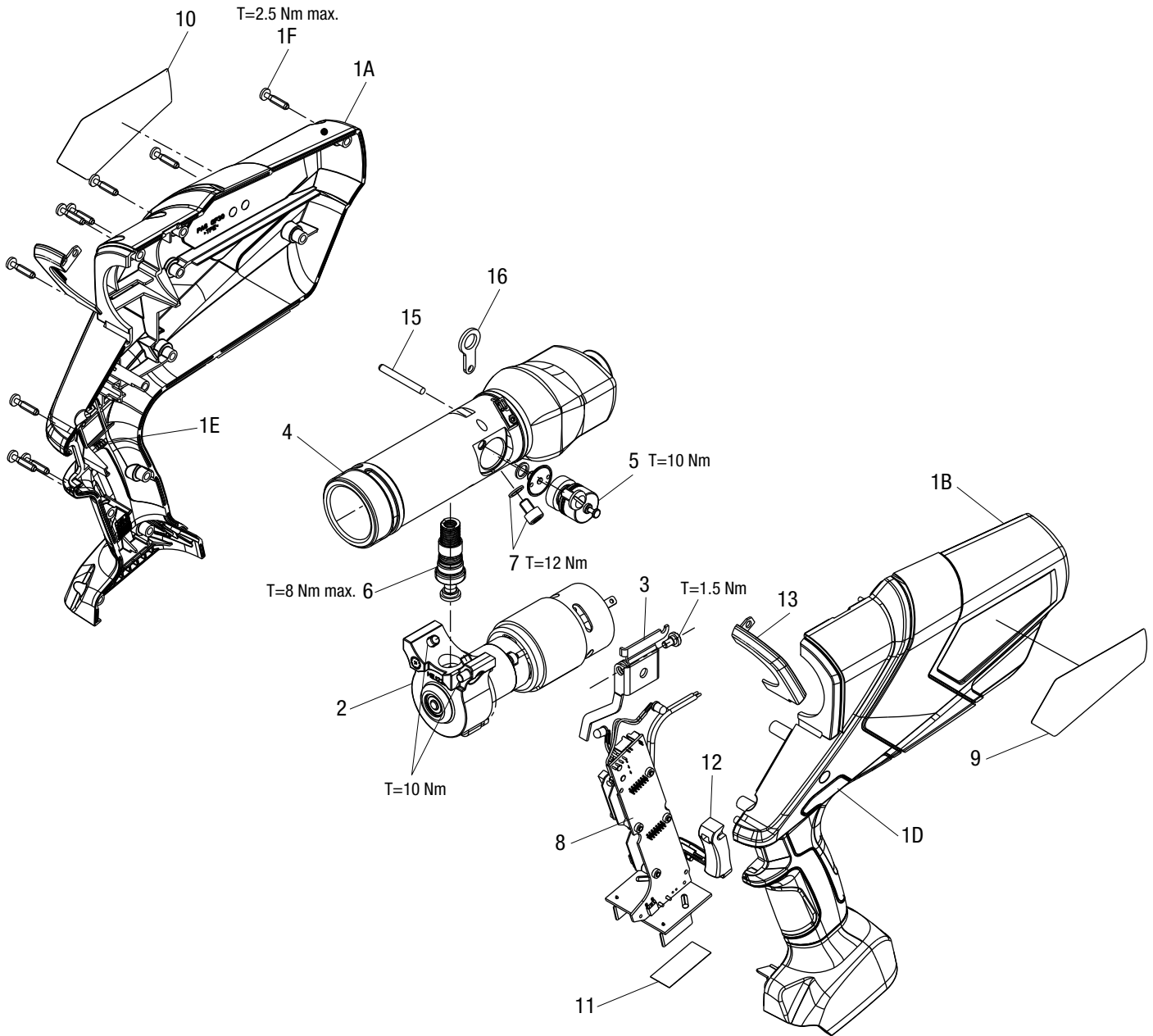
#### **⚠ WARNING**

Wear eye protection when operating or servicing this tool.

Failure to wear eye protection could result in serious eye injury from flying debris or hydraulic oil.

*Note: Keep all decals clean and legible, and replace when necessary.*

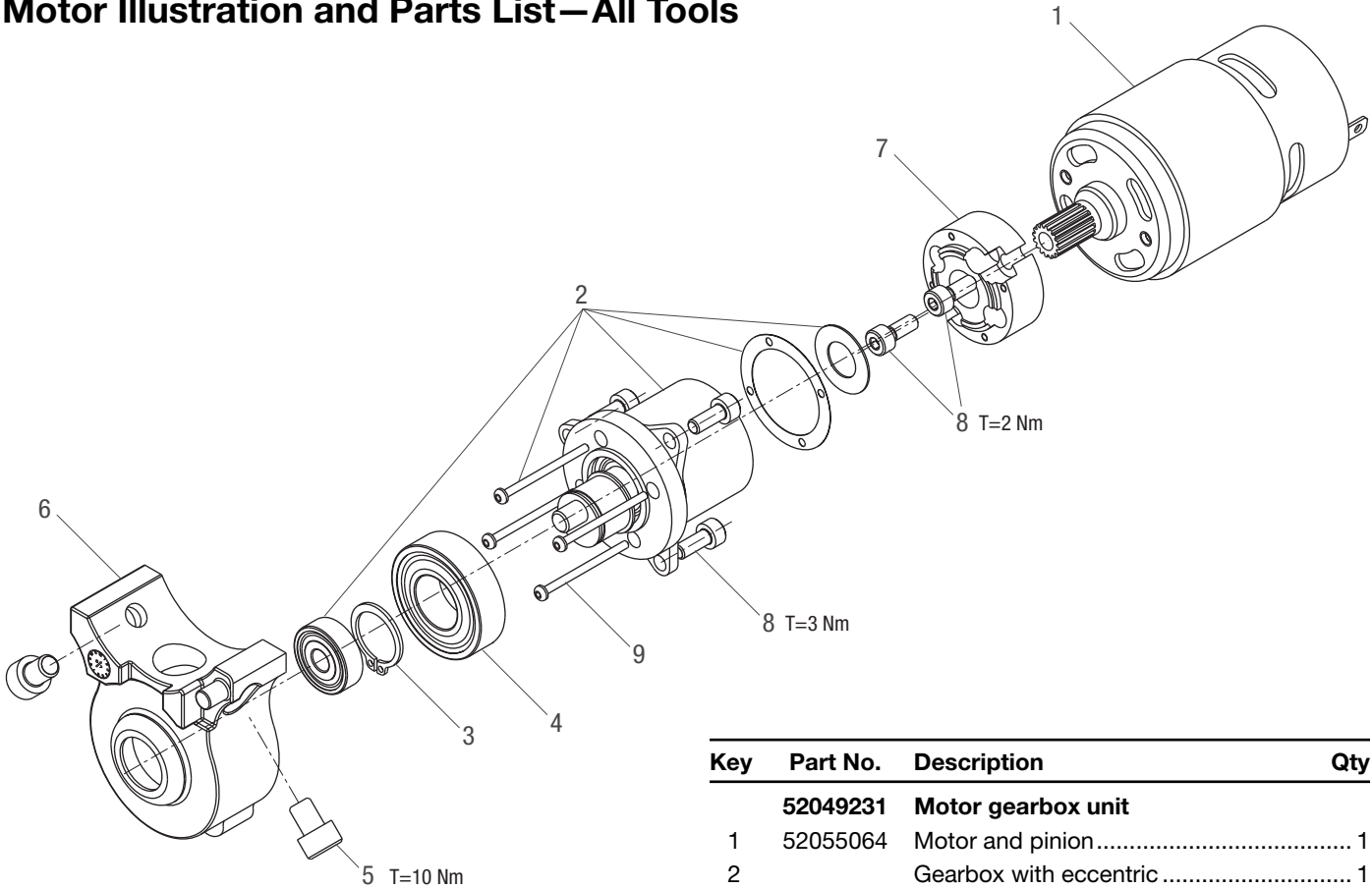
**Main Illustration—All Tools**



## Main Parts List—All Tools

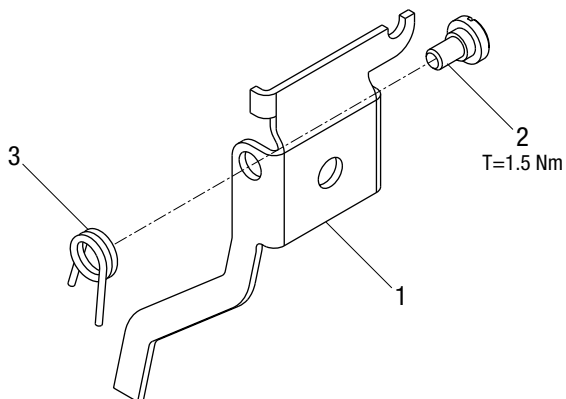
Key	Part No.	Description	Qty	Key	Part No.	Description	Qty
1	52080593	Housing unit, 6-ton.....	1		52079279	Identification decal (E12CCXLX) .....	1
	52080360	Housing unit, 12-ton.....	1		52079277	Identification decal (EK12IDLX).....	1
1A		Left housing.....	1		52079261	Identification decal (EK1230LX) .....	1
1B		Right housing .....	1		52079259	Identification decal (EK1240LX) .....	1
1D		Retract button .....	1		52079263	Identification decal (EK1240CLX).....	1
1E		Spring.....	2		52079265	Identification decal (EK1240KLX).....	1
1F		Screw .....	12		52079269	Identification decal (EK1550LX) .....	1
2	52049231	Motor gearbox unit.....	1		52079267	Identification decal (EK1550FLX) .....	1
3	52049233	Release lever unit .....	1		52079295	Identification decal (ESG50LX).....	1
4	52080590	Pump housing unit (E6CCXL, EK622FL) ...	1		52079305	Identification decal (ESG55LX).....	1
	52080848	Pump housing unit (EK6ATL, EK6FTL) .....	1		52079301	Identification decal (ESC85LX).....	1
	52080356	Pump housing unit (E12CCXL, EK12IDL, EK1230L, EK1240L, EK1240CL, EK1240KL).....	1		52079299	Identification decal (ESC105LX).....	1
	52080595	Pump housing unit (EK1550L, EK1550FL) .....	1		52081365	Identification decal (EK425PLX).....	1
	52080849	Pump housing unit (ESC85L, ESG50L).....	1		52080505	Decal, FCC, X version	
	52080609	Pump housing unit (ESC105L, ESG55L) ...	1	12	52055897	Trigger	
	52080911	Pump housing unit (ESG105L) .....	1	13	52080357	Ring	
	52082635	Pump Housing unit (EK425PL).....	1	15	52080300	Pin	
5	52049232	Relief valve unit (all except ESC85L, ESC105L, ESG50L, ESG55L, ESG105L) ...	1	16	52080351	Ring, hang	
	52080622	Relief valve unit (ESC85L, ESC105L, ESG50L, ESG55L, ESG105L).....	1		52080041	Carrying case (EK1550FL)	
6	52024191	Piston pump unit.....	1		52082146	Carrying case (E6CCXL, E12CCXL)	
7	52049205	Sensor (EK6ATL, EK6FTL, EK622PL, EK12IDL, EK1230L, EK1240L, EK1240CL, EK1240KL, EK1550L, EK1550FL, EK425PL) .....	1		52080045	Carrying case (ESC105L, ESG105L)	
	50121839	Screw (E6CCXL, ESG50L, ESG55L, E12CCXL, ESC85L, ESC105L).....	1		52082145	Carrying case (all others)	
		Seal (included in 52054906 seal kit).....	1		52081370	Connector compatibility decal (E6CCXL, EK622PL, EK425PL)	
8	52080601	Circuit board (X version).....	1		52081371	Connector compatibility decal (EK6ATL)	
	52082654	Control Board (EK622PLX).....	1		52081372	Connector compatibility decal (EK6FTL)	
	52082653	Control Board (EK425PLX).....	1		50112171	Connector compatibility decal (12 & 15 Ton Tools)	
	52082188	Control board (EK1230LX, EK1240LX, .....	1		52061815	Connector chart decal (E12CCXL–UA12ID)	
		EK1240CLX, EK1240KLX, EK12IDLX)			52070279	Connector chart decal (EK12IDL)	
	52082189	Control board (EK1550LX, EK1550FLX)....	1		52054906	Seal kit	
	52082191	Control board (EK6ATLX, EK6FTLX, .....	1		52047087	120 VAC corded adapter	
	52082192	Control board (E12CCXLX, E6CCXLX).....	1		52047088	230 VAC corded adapter	
	52082195	Control board (ESG50LX, ESC85LX).....	1		52070023	18 V, 4 Ah lithium-ion battery	
	52082196	Control board (ESG105LX).....	1		52049201	120 VAC, 18 V charger	
	52082197	Control board (ESC105LX, ESG55LX).....	1		52049202	230 VAC, 18 V charger	
9	52079314	Decal, 6-ton, brand .....	1		52049204	12 VDC, 18 V charger	
	52079313	Decal, 12-ton, brand .....	1		50122746	Carrying strap	
10	52079281	Identification decal (E6CCXLX) .....	1		52057878	Biodegradable hydraulic fluid (1 qt)	
	52079273	Identification decal (EK6ATLX) .....	1				
	52079275	Identification decal (EK6FTLX) .....	1				
	52079257	Identification decal (EK622PLX).....	1				

## Motor Illustration and Parts List—All Tools



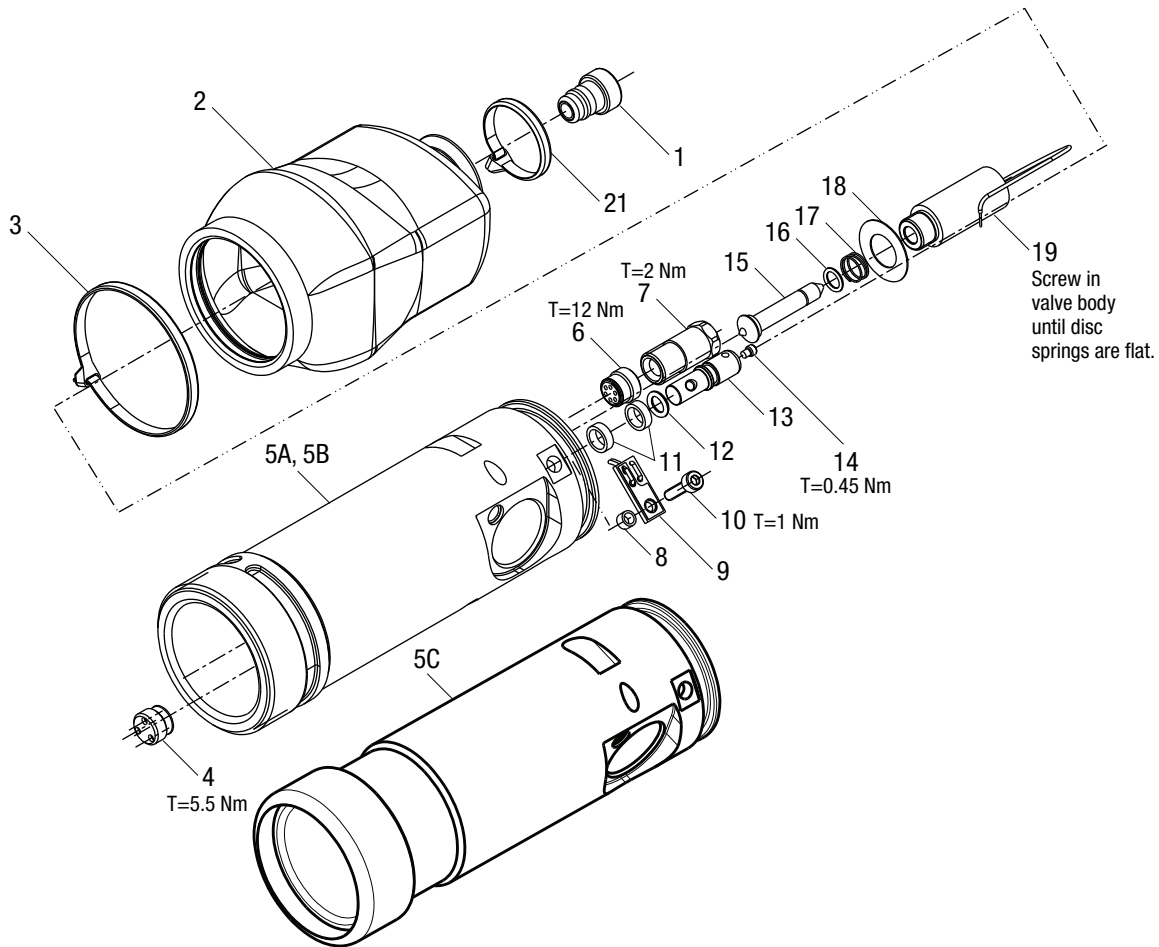
Key	Part No.	Description	Qty
	<b>52049231</b>	<b>Motor gearbox unit</b>	
1	52055064	Motor and pinion.....	1
2		Gearbox with eccentric.....	1
3		Retaining ring.....	1
4		Grooved ball bearing.....	1
5		Screw.....	2
6		Eccentric case.....	1
7		Flange.....	1
8		Screw.....	5
9	52028323	Gear box screw.....	4

## Release Lever Illustration and Parts List—All Tools



Key	Part No.	Description	Qty
	<b>52049233</b>	<b>Release lever unit</b>	
1		Release lever.....	1
2		Socket head screw.....	1
3		Compression spring.....	1

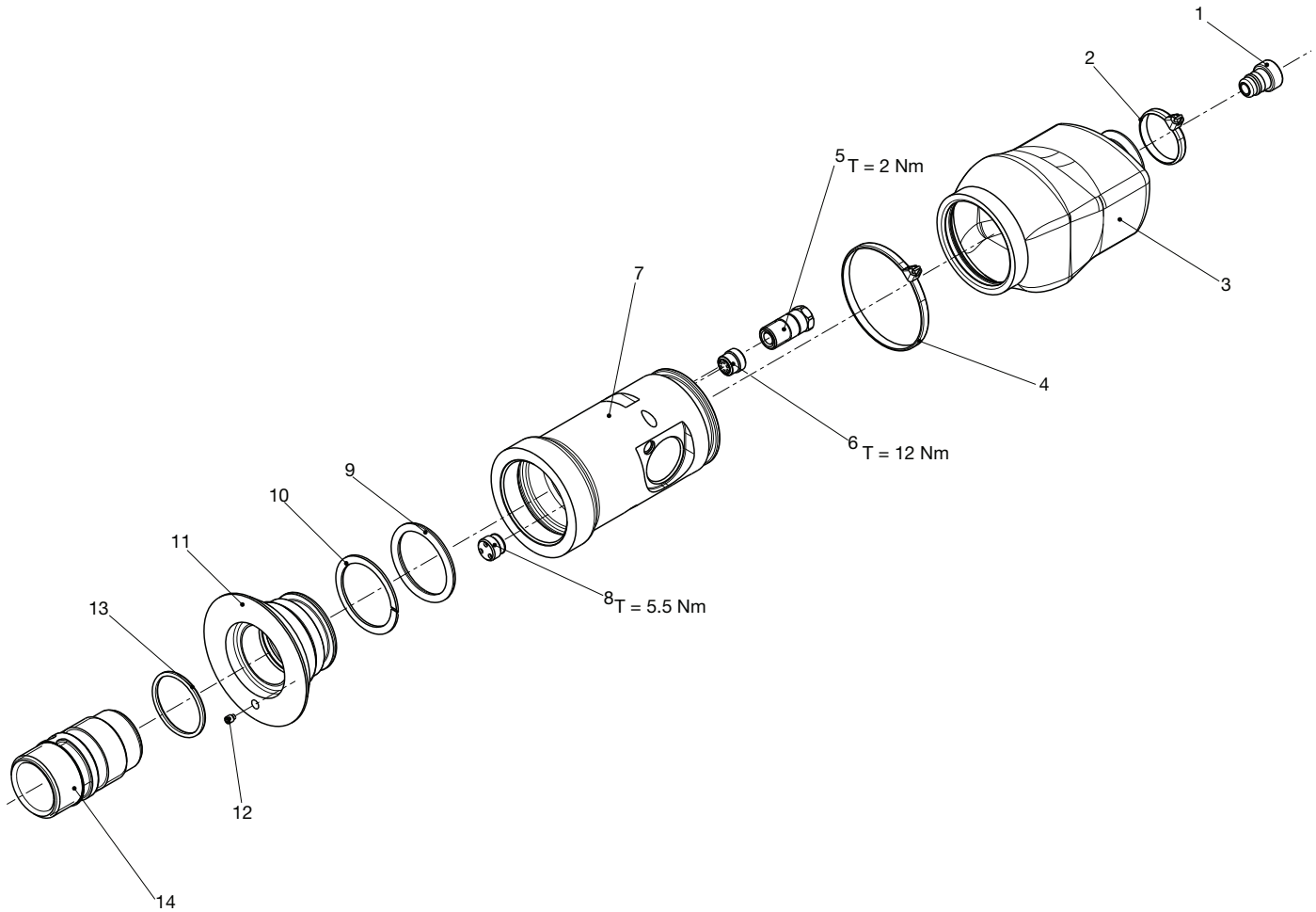
## Pump Illustration and Parts List—E6CCXL, EK6ATL, EK6FTL, EK622PL, ESC85L, ESG50L



Key	Part No.	Description	Qty
	<b>52080849</b>	<b>Pump housing unit (A)</b> (ESC85L, ESG50L)	
	<b>52080590</b>	<b>Pump housing unit (B)</b> (E6CCXL, EK622PL)	
	<b>52080848</b>	<b>Pump housing unit (C)</b> (EK6ATL, EK6FTL)	
1		Reservoir plug .....	1
2	52080625	Reservoir .....	1
3		Cable tie (included in 52054906).....	1
4	50109308	Threaded bushing .....	1
5A		Pump housing .....	1
5B		Pump housing .....	1
6	50109162	Threaded bushing .....	1
7		Filter .....	1
8		Bearing .....	1
9		Switch lever .....	1
10		Screw .....	1

Key	Part No.	Description	Qty
11		Bearing .....	2
12		O-ring (included in 52054906).....	1
13		Pin .....	1
14		Screw .....	1
15		Needle valve.....	1
16		O-ring .....	1
17		Compression spring .....	1
18		Disc spring .....	1
19		Solenoid .....	1
21		Cable tie (included in 52054906).....	1
	52080610	Solenoid kit, cutters [includes 15–17, 18 (2), 19]	
	52054907	Solenoid kit, crimpers (includes 15–19)	
	52055065	Switch lever kit (includes 8–10)	
	52055068	Wrench, bushing	

## Pump Illustration and Parts List—EK425PL

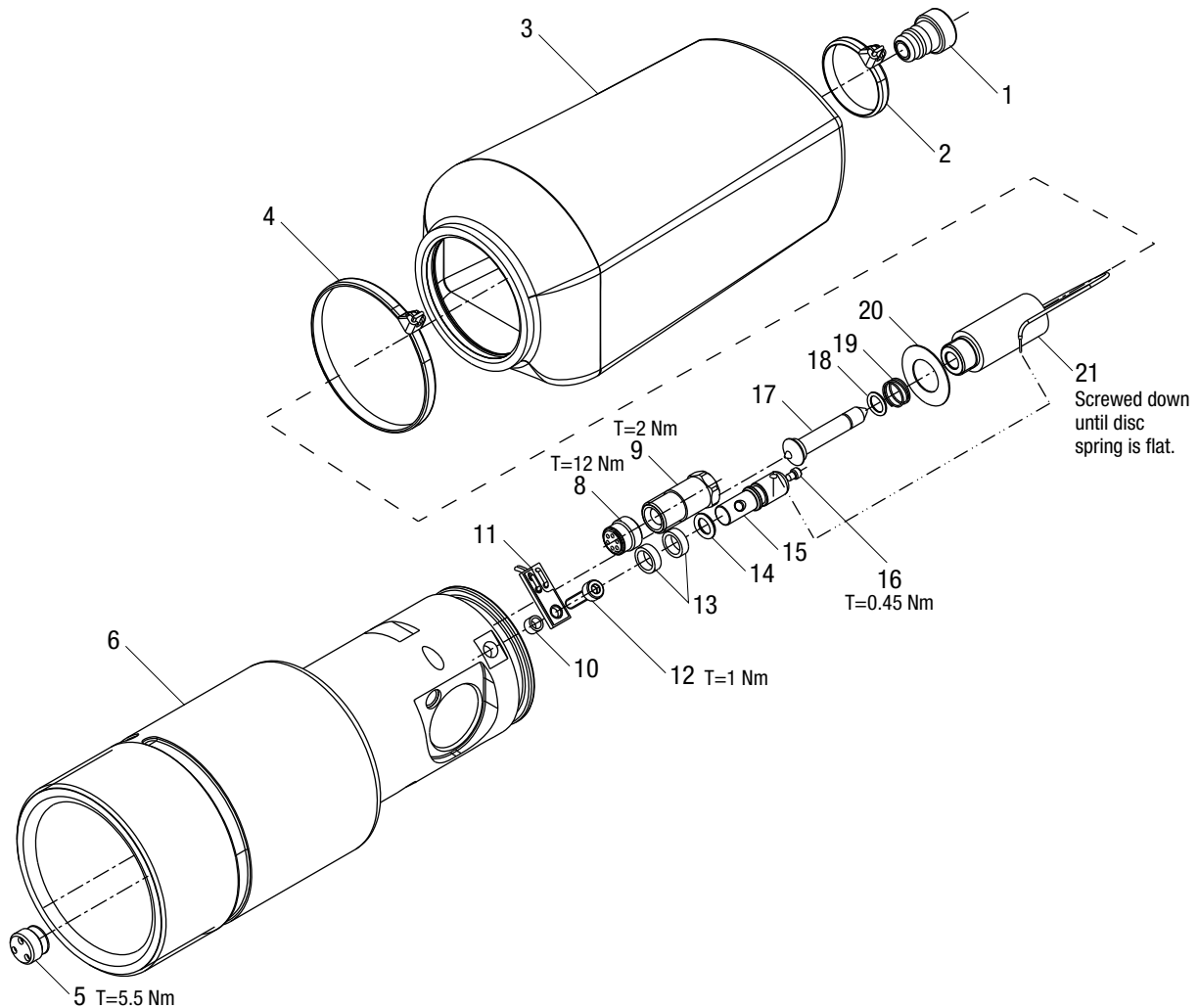


Key	Part No.	Description	Qty
	<b>52082635</b>	<b>Pump housing unit</b>	
1		Reservoir plug .....	1
2		Cable tie (included in 52054906).....	1
3	52080625	Reservoir .....	1
4		Cable tie (included in 52054906).....	1
5		Filter .....	1
6	50109162	Threaded bushing .....	1
7		Pump housing .....	1
8	50109308	Threaded bushing .....	1

Key	Part No.	Description	Qty
9		O-ring (included in 52054906).....	1
10		BO-ring (included in 52054906) .....	2
11		Cylinder Adaptor .....	1
12		Screw .....	1
13		O-Ring.....	1
14		Cylinder Liner .....	1
	52055068	Wrench, bushing	



## Pump Illustration and Parts List—E12CCXL, EK12IDL, EK1230L, EK1240L, EK1240CL, EK1240KL, EK1550L, EK1550FL, ESC105L, ESG55L, ESG105L

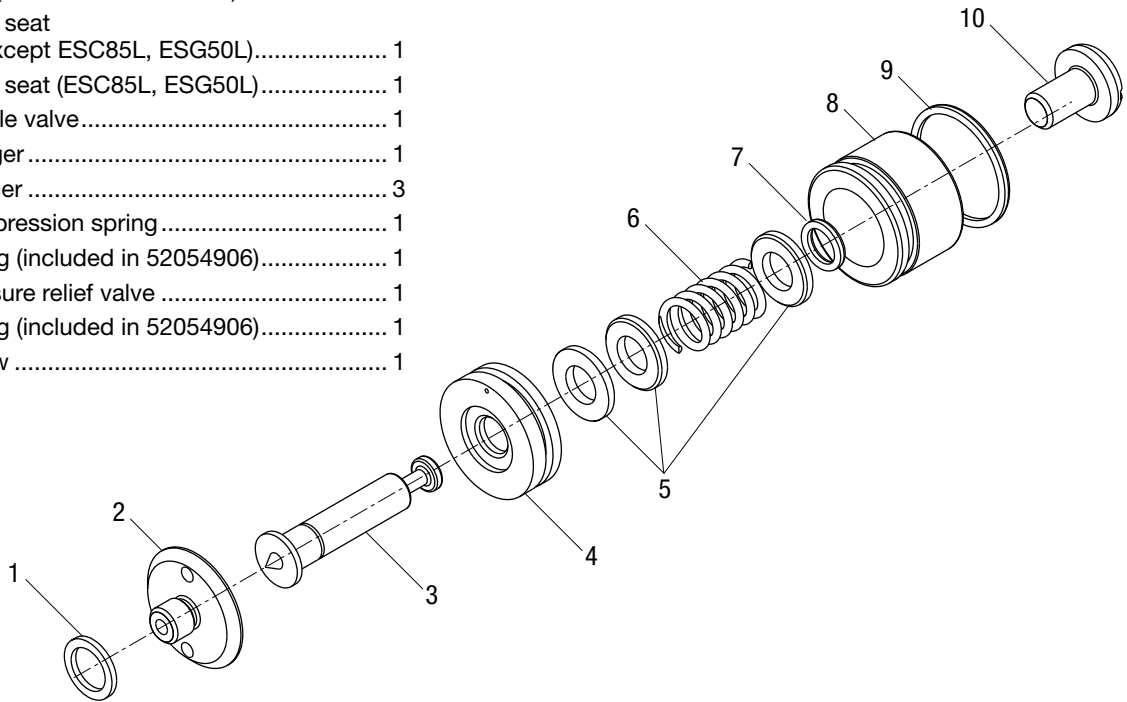


Key	Part No.	Description	Qty
	<b>52080356</b>	<b>Pump housing unit</b> (12-Ton Crimper)	
	<b>52080595</b>	<b>Pump housing unit</b> (15-Ton Crimper)	
	<b>52080609</b>	<b>Pump housing unit</b> (ESC105L, ESG55L)	
	<b>52080911</b>	<b>Pump housing unit</b> (ESG105L)	
1		Reservoir plug .....	1
2		Cable tie (included in 52054906).....	1
3	52080624	Reservoir .....	1
4		Cable tie (included in 52054906).....	1
5	50109308	Threaded bushing .....	1
6		Pump housing .....	1
8	50109162	Threaded bushing .....	1
9		Filter .....	1
10		Bearing .....	1
11		Switch lever.....	1

Key	Part No.	Description	Qty
12		Screw .....	1
13		Bearing .....	2
14		O-ring (included in 52054906).....	1
15		Pin .....	1
16		Screw .....	1
17		Needle valve.....	1
18		O-ring .....	1
19		Compression spring.....	1
20		Disc spring .....	1
21		Solenoid .....	1
	52080610	Solenoid kit, cutters [includes 17–19, 20 (2), 21]	
	52054907	Solenoid kit, crimpers (includes 17–21)	
	52055065	Switch lever kit (includes 10–12)	
	52055068	Wrench, bushing	

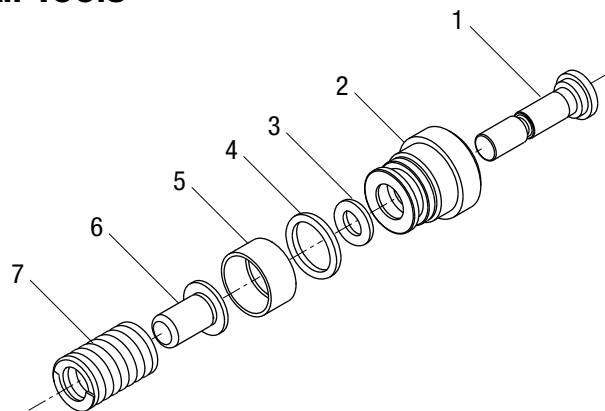
## Relief Valve Illustration and Parts List—All Tools

Key	Part No.	Description	Qty
	<b>52049232</b>	<b>Relief valve unit</b> (all except ESC85L, ESG50L)	
	<b>52068741</b>	<b>Relief valve unit</b> (ESC85L, ESG50L)	
1		Seal (included in 52054906).....	1
2	50053630	Valve seat (all except ESC85L, ESG50L).....	1
	52068743	Valve seat (ESC85L, ESG50L).....	1
3		Needle valve.....	1
4		Plunger .....	1
5		Washer .....	3
6		Compression spring.....	1
7		O-ring (included in 52054906).....	1
8		Pressure relief valve .....	1
9		O-ring (included in 52054906).....	1
10		Screw .....	1

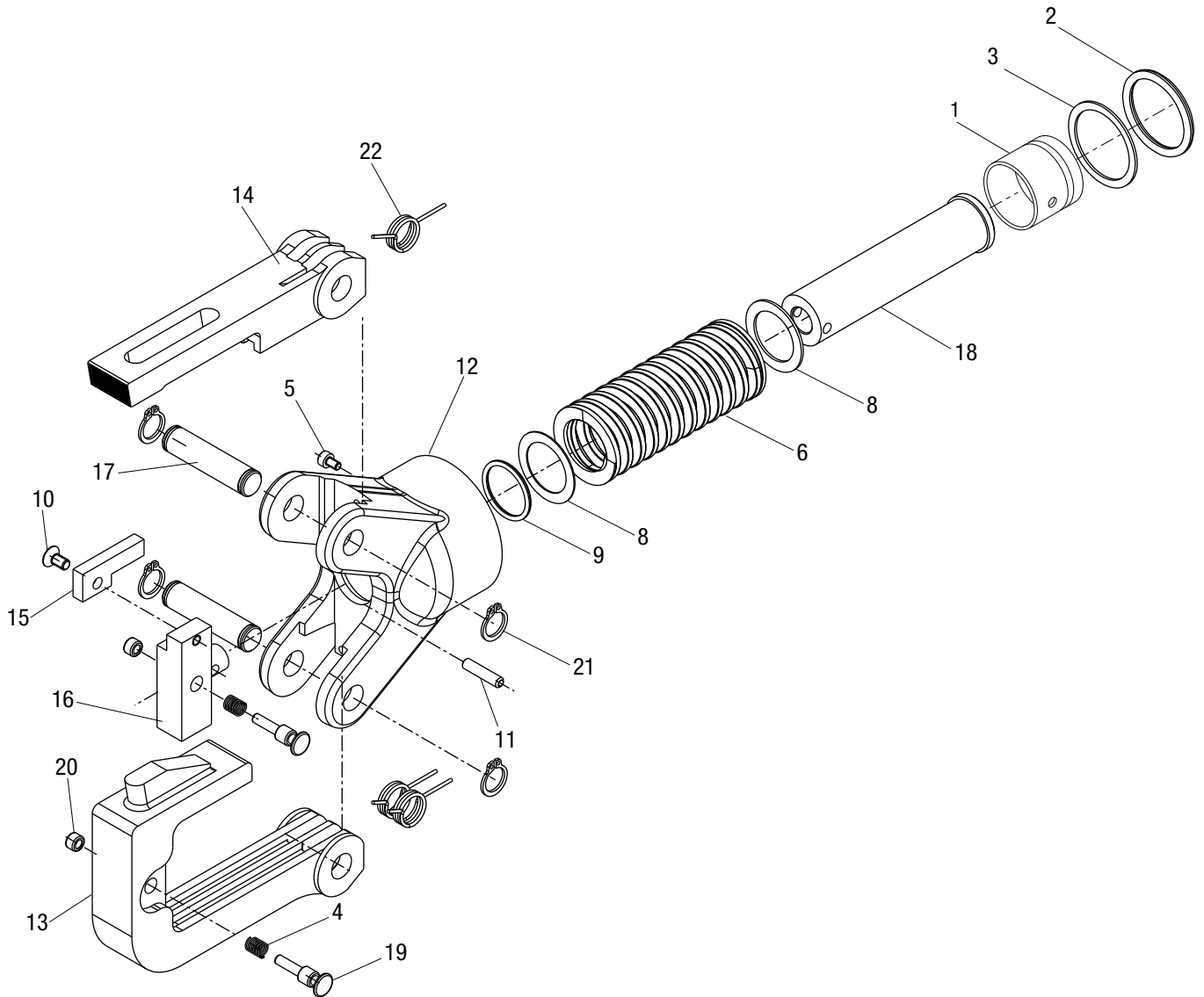


## Piston Pump Illustration and Parts List—All Tools

Key	Part No.	Description	Qty
	<b>52024191</b>	<b>Piston pump unit</b>	
1		Pump piston.....	1
2		Screw plug .....	1
3		Piston seal (included in 52054906) .....	1
4		Washer (included in 52054906).....	1
5		Pump piston.....	1
6		Valve stem.....	1
7		Spring.....	1




## Head and Ram Illustration and Parts List—E6CCXL

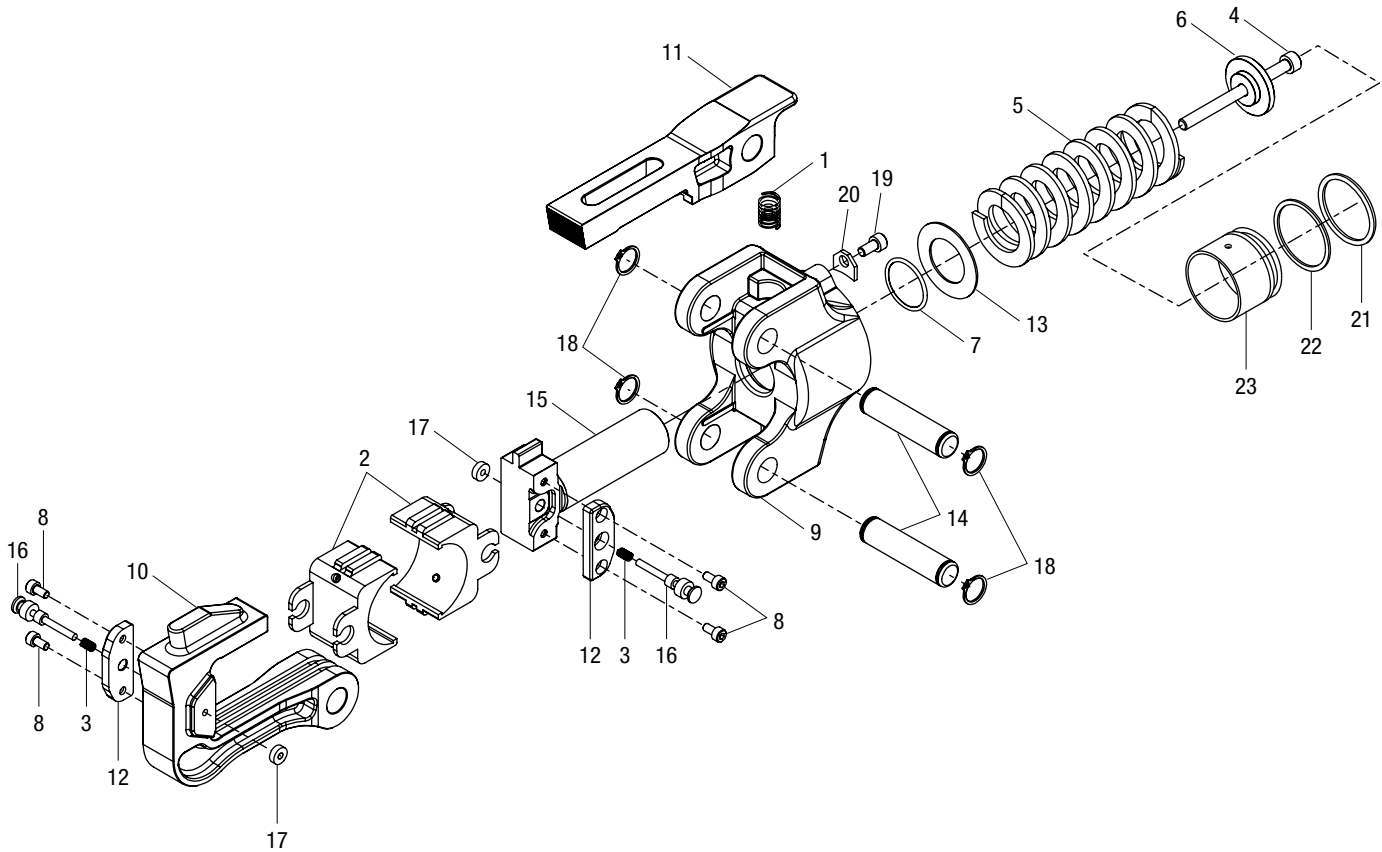


Key	Part No.	Description	Qty
	<b>52080621</b>	<b>Head and ram unit (includes 4–22)</b>	
1	52020648	Piston cup .....	1
2		O-ring (included in 52054906).....	1
3		Piston backup ring (included in 52054906).....	1
4		Compression spring.....	2
5	52057106	Screw .....	2
6	50058258	Compression spring.....	1
8	52080214	Adapter disk.....	2
9		O-ring (included in 52054906).....	1
10	50067257	Screw, M4 x 8.....	1
11	50071220	Pin, 3 x 18 .....	1
12	50067150	Fixed head.....	1

Key	Part No.	Description	Qty
13		Movable head.....	1
14		Latch .....	1
15	50067214	Guide plate.....	1
16	50067192	Adapter ram .....	1
17	50067184	Pin, 10 x 40.5 mm .....	2
18	52080626	Piston .....	1
19		Adapter lock pin.....	2
20		Bushing .....	2
21	50034308	Retaining ring .....	4
22	50043838	Spring.....	3
	50017500	Head set (includes 13, 14)	
	50103750	Adapter lock kit (includes 4, 19, 20)	

## Head and Ram Illustration and Parts List—E12CCXL

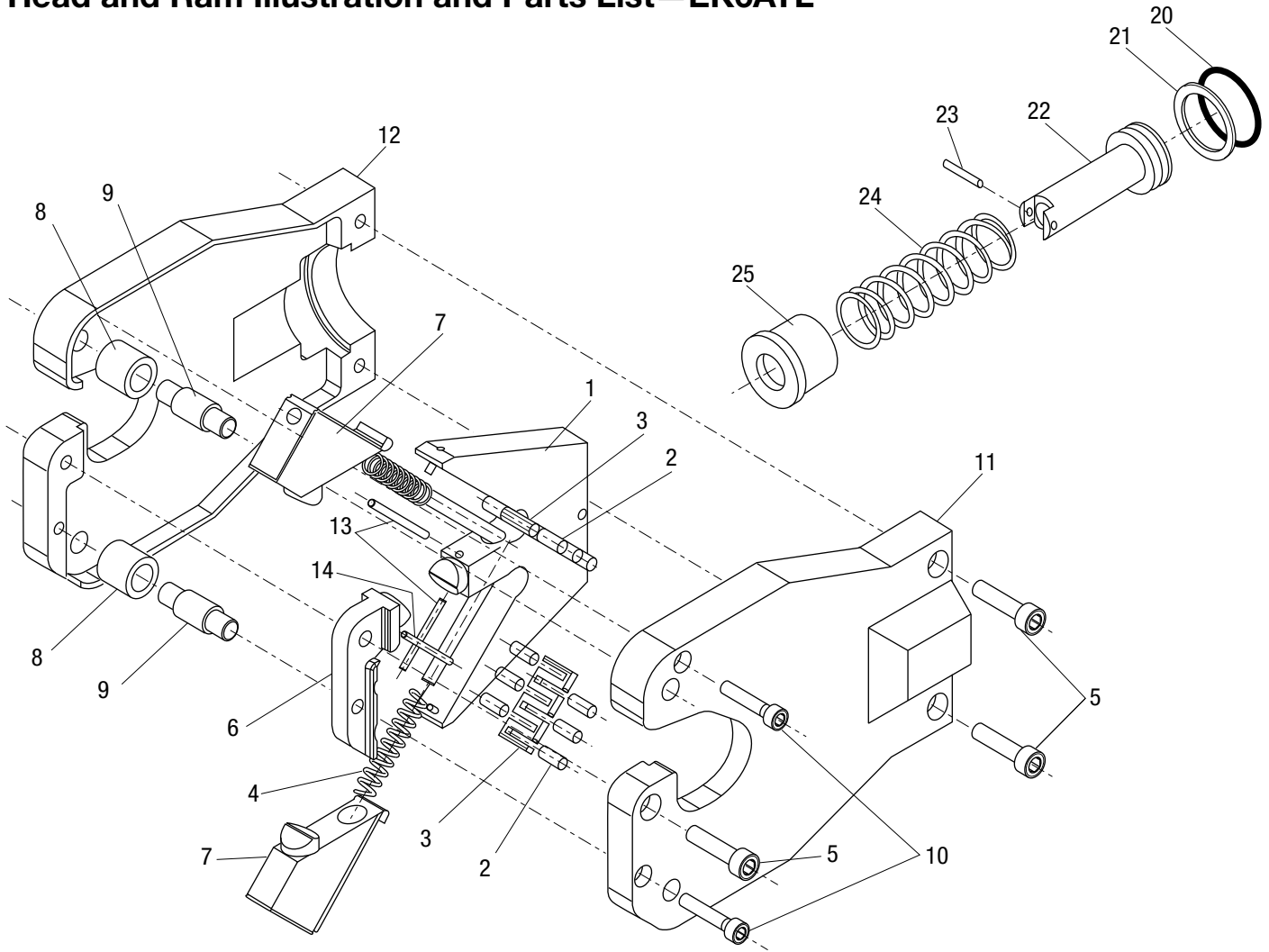
For units manufactured after June 2012—items 9, 10, 11, and 15 will show  (date stamp)



Key	Part No.	Description	Qty
	<b>52045319</b>	<b>Head and ram unit</b> (includes 1–3, 8–12, 14–18)	
1		Compression spring.....	1
2		Adapter, U-type die.....	2
3		Compression spring.....	2
4		Screw, M6-1.0 x 75 mm skt head cap.....	1
5	50066919	Compression spring.....	1
6	50066900	End cap.....	1
7		O-ring (included in 52054906).....	1
8		Screw, M4-0.7 x 8 mm skt head cap.....	4
9		Fixed head.....	1
10		Movable head.....	1
11		Latch.....	1
12	52062835	Plate.....	2
13		Adapter disk.....	1

Key	Part No.	Description	Qty
14		Pin, pivot.....	2
15	52062834	Ram.....	1
16		Pin, adapter lock.....	2
17		Bushing.....	2
18		Retaining ring.....	4
19		Screw, M5-0.8 x 10 mm skt head cap.....	1
20	50066943	Stop.....	1
21		O-ring (included in 52054906).....	1
22		Backup ring (included in 52054906).....	1
23	50067796	Piston.....	1
	50118374	Adapter lock kit (includes 3, 16, 17)	
	52020102	UA12T, U-type die adapter set (includes two of item 2)	
	52063244	Pin kit (includes 14 and two of item 18)	

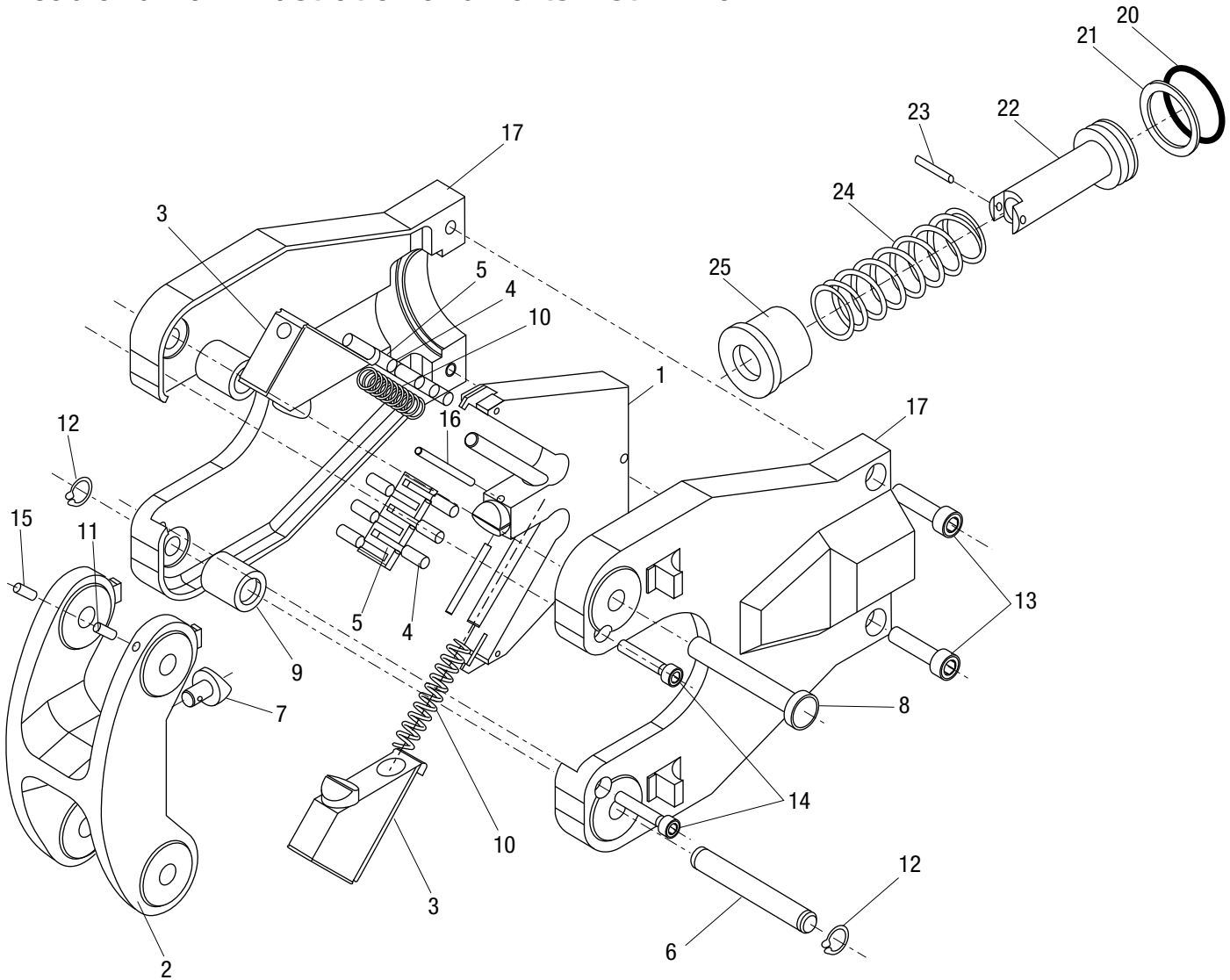
## Head and Ram Illustration and Parts List—EK6ATL



Key	Part No.	Description	Qty
	<b>50017284</b>	<b>Quad point head assembly</b> (includes 1–14)	
1	50017292	Cam yoke assembly.....	1
2		Roller bearings .....	12
3		Bearing retainers .....	2
4	50060910	Compression spring.....	3
5	50061003	Screw .....	2
6	50060848	Fixed jaw .....	1
7	50060856	Moving jaw .....	2
8	50060864	Pivot roller .....	2
9	50060872	Pivot pin .....	2
10	50061011	Screw .....	2

Key	Part No.	Description	Qty
	50060953	Head kit (includes 11, 12)	
11		Head cover (LH) .....	1
12		Head cover (RH).....	1
13	50017276	Spring pin.....	2
14	50017349	Spring pin.....	1
20		O-ring (included in 52054906).....	1
21		Backup ring (included in 52054906).....	1
22	50063812	Piston .....	1
23	50063405	Pin .....	1
24	50058398	Compression spring.....	1
25	50063820	Sleeve.....	1
	50061291	Bearing retainer kit (includes 2, 3)	

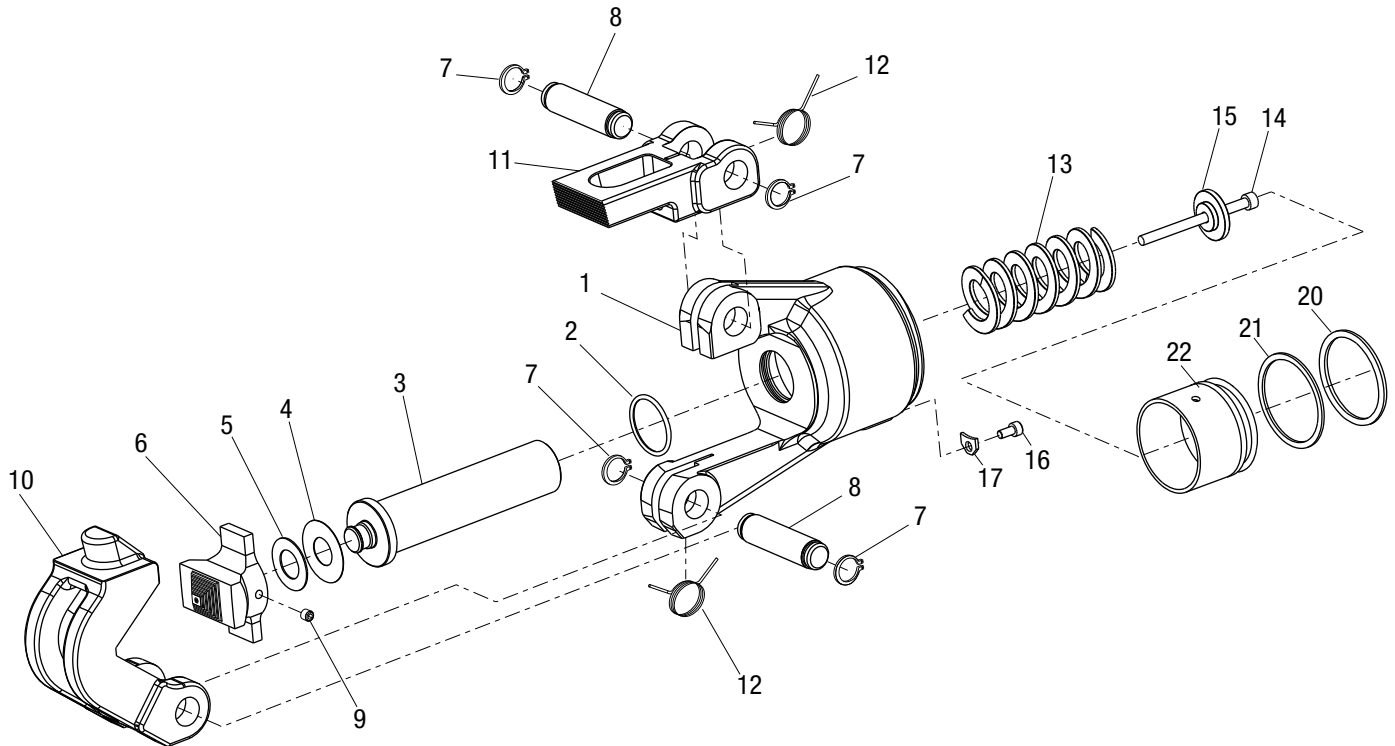
## Head and Ram Illustration and Parts List—EK6FTL



Key	Part No.	Description	Qty
	<b>50017225</b>	<b>Quad point flip-top head assembly</b> (includes 1–17)	
1	50017233	Cam yoke assembly.....	1
2	50061178	Latch (includes 7).....	1
3	50061275	Moving jaw.....	2
4		Roller bearing.....	12
5		Bearing retainer.....	2
6	50061216	Latch mounting pin.....	1
7		Latch nib (included in 50061178).....	1
8	50061240	Lock pin.....	1
9	50061160	Side jaw roller.....	2
10	50060910	Compression spring.....	2
11	50060961	Ball screw.....	1

Key	Part No.	Description	Qty
12	50061224	Snap ring.....	2
13	50061003	Screw.....	2
14	50061038	Screw.....	2
15	50103458	Set screw.....	1
16	50017276	Spring pin.....	2
17	52023662	Head cover.....	2
20		O-ring (included in 52054906).....	1
21		Backup ring (included in 52054906).....	1
22	50063812	Piston.....	1
23	50063405	Pin.....	1
24	50058398	Compression spring.....	1
25	50063820	Sleeve.....	1
	50061291	Bearing retainer kit (includes 4, 5)	

## Head and Ram Illustration and Parts List—EK12IDL



Key	Part No.	Description	Qty
	<b>52024011</b>	<b>Head and ram unit (includes 1–5, 7–17)</b>	
1	52020271	Yoke.....	1
2		O-ring (included in 52054906).....	1
3	52020510	Ram.....	1
4	52020512	Spacer, .010 x 1.181 x .531.....(as needed)	
5	50337300	Spacer, .025 x .997 x .549.....(as needed)	
6	52025013	Indenter.....	1
7	90513533	Retaining ring.....	4
8	52020513	Pivot pin.....	2
9		Screw, #10-32 x .25 skt set cone pt.....	1
10	52064268	Crimp head.....	1
11	52020273	Latch.....	1

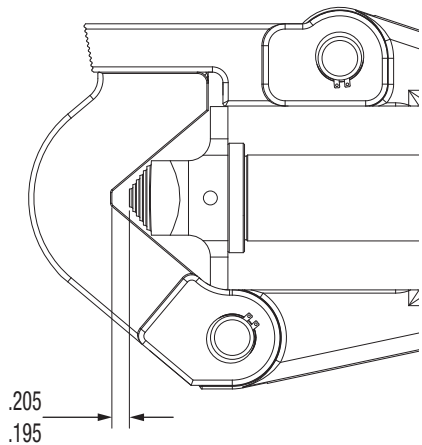
Key	Part No.	Description	Qty
12	50111230	Torsion spring.....	2
13		Spring.....	1
14		Screw, M6-1.0 x 80 mm skt head cap.....	1
15		End cap.....	1
16		Screw, M5-0.8 x 10 mm skt head cap.....	1
17		Stop.....	1
20		O-ring (included in 52054906).....	1
21		Backup ring (included in 52054906).....	1
22	50067796	Piston.....	1
	52021550	Spring kit (includes 2, 13–17)	

## Indenter and Head Replacement—EK12IDL

This procedure is separated into two sections, one for the indenter and one for the head.

### Indenter

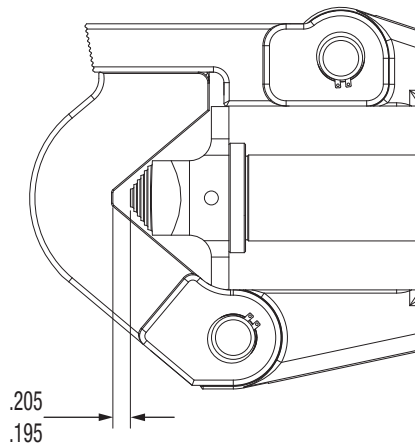
1. Lift the latch and open the crimping head.
2. Remove set screw (9), indenter (6), and any spacers (4 and 5).
3. Lubricate indenter tangs that slide against the yoke. Reinstall spacers (4 and 5) and indenter (6).
4. Close crimping head and check that latch and head are fully engaged.
5. Reinstall the battery and advance the indenter to full stroke. Release trigger when the sound of motor speed begins to slow down.
6. Measure the distance between the bottom of the indenter and head as shown below. The distance should measure 4.953 mm to 5.207 mm (.195" to .205"). If the dimension is outside this range, remove set screw (9) and indenter (6).
  - to increase distance, remove a spacer (4, 5).
  - to decrease distance, add a spacer (4, 5).



7. Install indenter (6) and secure with set screw (9).

### Head

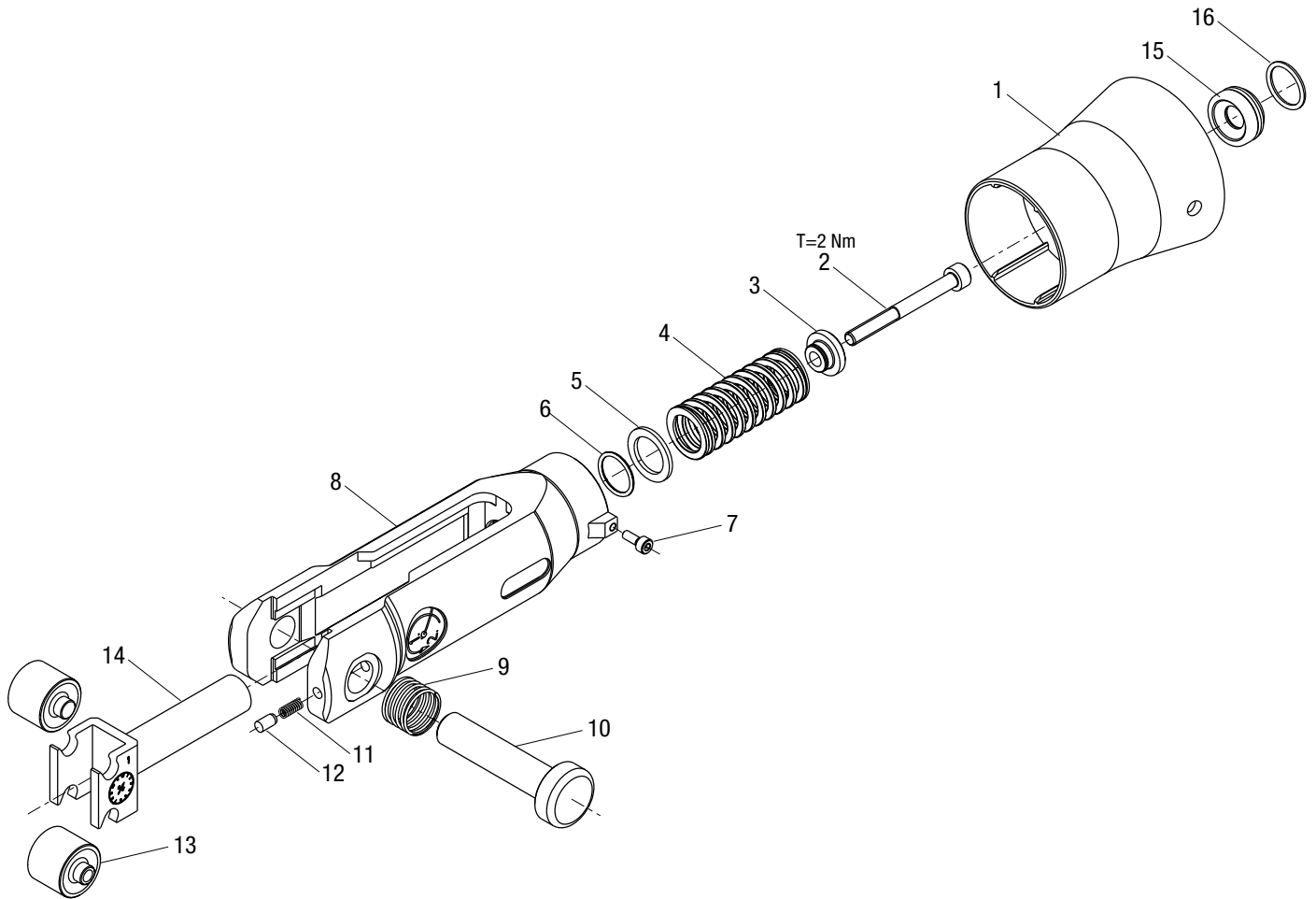
1. Lift the latch and open the crimping head.
2. Remove the retaining ring (7), pin (8), head (10), and spring (12).
3. Install spring (12) with long end into the yoke hole. Reinstall head (10), pin (8), and retaining ring (7).
4. Close crimping head and check that latch and head are fully engaged.
5. Reinstall the battery and advance the indenter to full stroke. Release trigger when the sound of motor speed begins to slow down.
6. Measure the distance between the bottom of the indenter and head as shown below. The distance should measure 4.953 mm to 5.207 mm (.195" to .205"). If the dimension is outside this range, remove set screw (9) and indenter (6).
  - to increase distance, remove a spacer (4, 5).
  - to decrease distance, add a spacer (4, 5).



7. Install indenter (6) and secure with set screw (9).



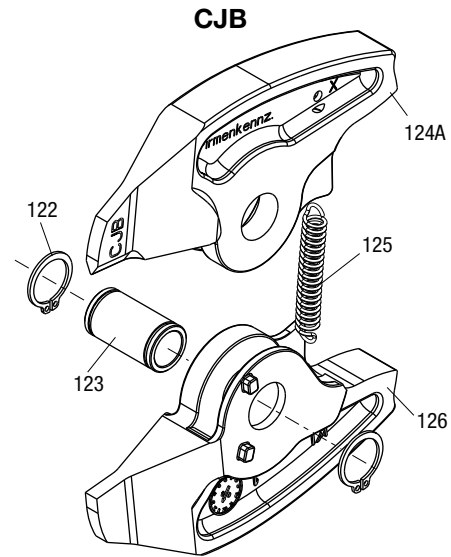
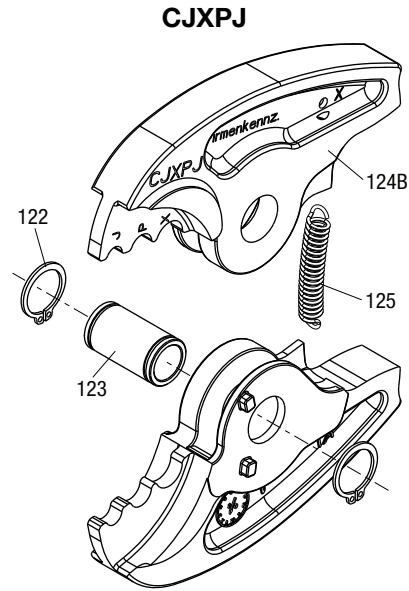
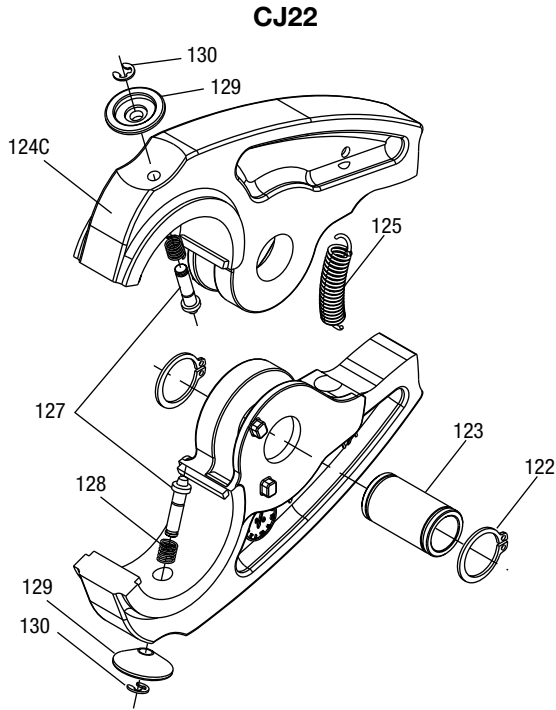
## Ram Illustration and Parts List—EK425PL



Key	Part No.	Description	Qty
	52080600	<b>Ram unit (includes 1–14)</b> .....	1
1	52080623	Sheath .....	1
	52049399	Spring kit (includes 2–6)	
2		Shoulder bolt.....	1
3		Disc .....	1
4		Compression spring .....	1
5		Washer .....	1
6*		O-ring (included in 50047957).....	1
7	52057496	Screw .....	1
8		Jaw holder.....	1

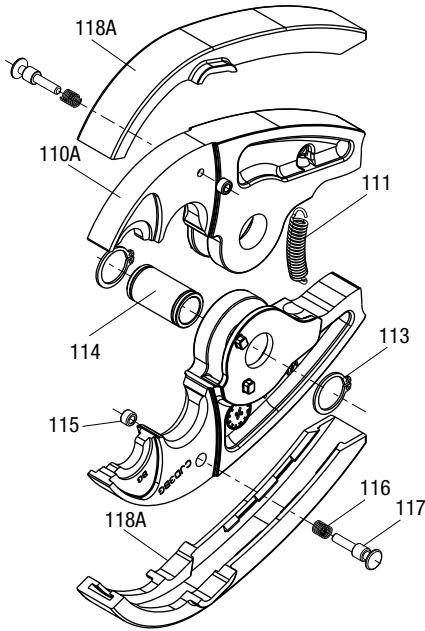
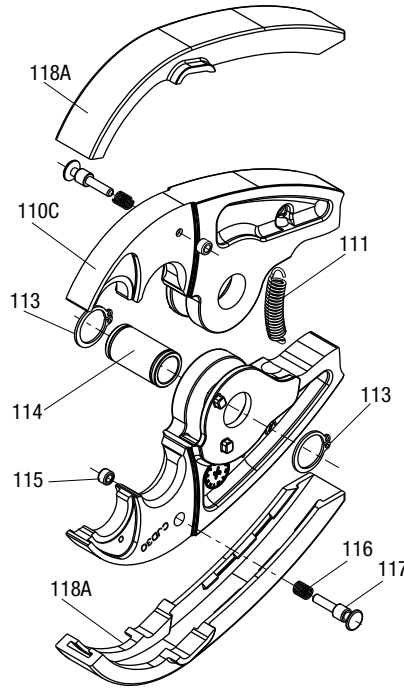
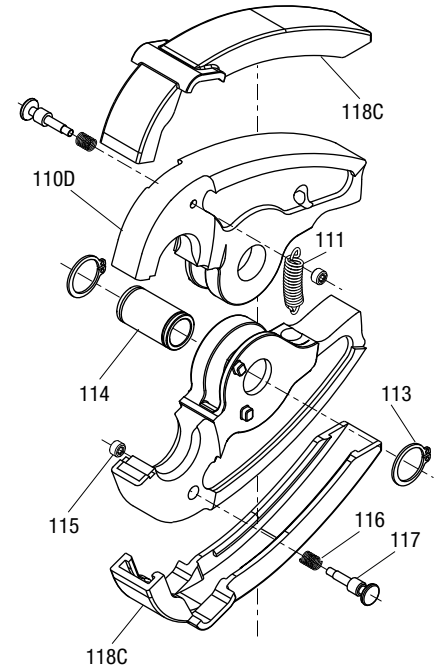
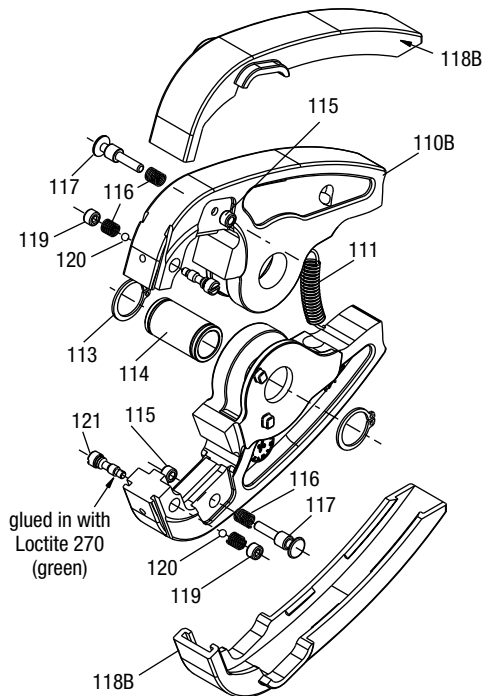
Key	Part No.	Description	Qty
	52049400	<b>Latch kit (includes 9–12)</b>	
9		Compression spring .....	1
10		Locking pin.....	1
11		Compression spring .....	1
12		Pin .....	1
	52049401	<b>Roller kit (includes 13, 14)</b>	
13		Roller .....	2
14		Ram.....	1
15	50120050	Bushing with seal .....	1
16*		Seal bushing (included in 50047957) .....	1

## Jaw Units Illustration and Parts List



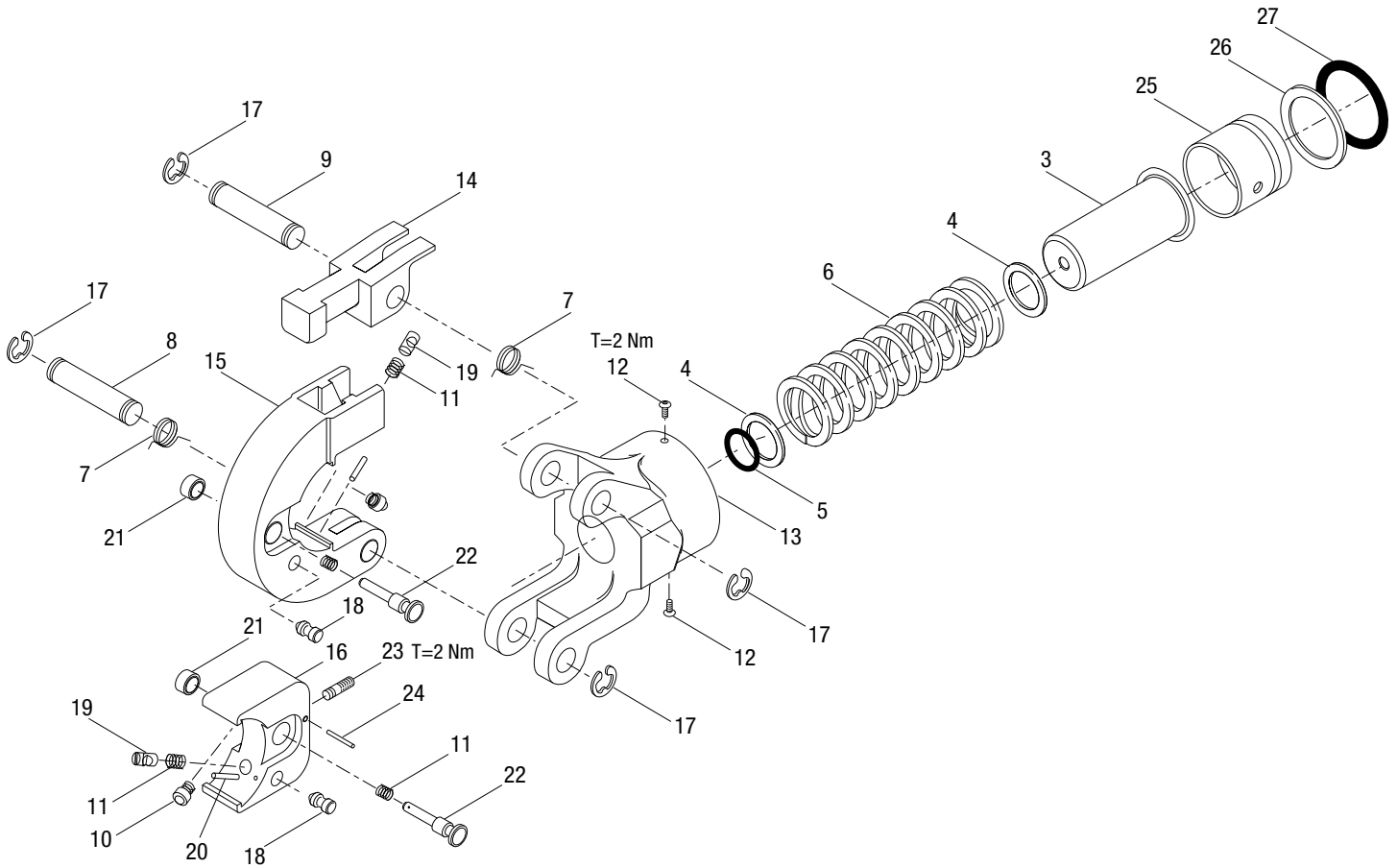
Key	Part No.	Description	Qty
	52024683	<b>CJ22 crimping jaw unit</b> for cUL and UL classified crimps	
	52025649	<b>CJXPJ crimping jaw unit</b> (includes 122-125)	
	52025648	<b>CJB single-use lock cutter</b> (includes 122-126)	
	52049402	Jaw pivot kit (includes 122, 123)	
122		Retaining ring .....	2
123		Pivot pin .....	1
124A		Jaw, sharp—CJB .....	1
124B		Jaw, CJXPJ .....	2
124C		Jaw, CJ22.....	2
125	52022544	Extension spring.....	1
126		Jaw, flat—CJB.....	1
	52023623	Die retaining pin kit (includes 127–130)	
127		Die retaining pin .....	2
128		Compression spring .....	2
129		Release button .....	2
130		Retaining ring .....	2

## Jaw Units Illustration and Parts List (cont'd)

**CJD3BG**

**CJD30**

**CJD3**

**CJK Kearney**


Key	Part No.	Description	Qty
	52027121	<b>CJD3BG crimping jaw unit</b> (includes 110–118)	
	52027122	<b>CJD30 crimping jaw unit</b> (includes 110–118)	
	52024068	<b>CJD3 crimping jaw unit</b> (includes 110–118)	
	52020114	<b>CJK Kearney crimping jaw unit</b> (includes 110–118, 119–121)	
110A		Jaw, CJD3BG.....	2
110B		Jaw, CJK.....	2
110C		Jaw, CJD30.....	2
110D		Jaw, CJD3.....	2
111	52022544	Extension spring.....	1
	52049402	Jaw pivot kit (includes 113, 114)	
113		Retaining ring.....	2
114		Pin pivot.....	1
115		Bushing.....	2
116		Compression spring.....	2
117		Lock adapter.....	2
118A	52025125	Jaw covers, CJD30/CJD3BG (set of 2)....	1
118B	52022386	Jaw covers, CJK (set of 2).....	1
118C	52021086	Jaw covers, CJD3 (set of 2).....	1
119		Bushing.....	2
120		Ball, 3 mm.....	2
121		Locking pin.....	1
	50103750	Die pin kit, "W"-style dies (includes 115–117)	
	50105108	Die pin kit, Kearney-style dies (includes 116, 119–121)	

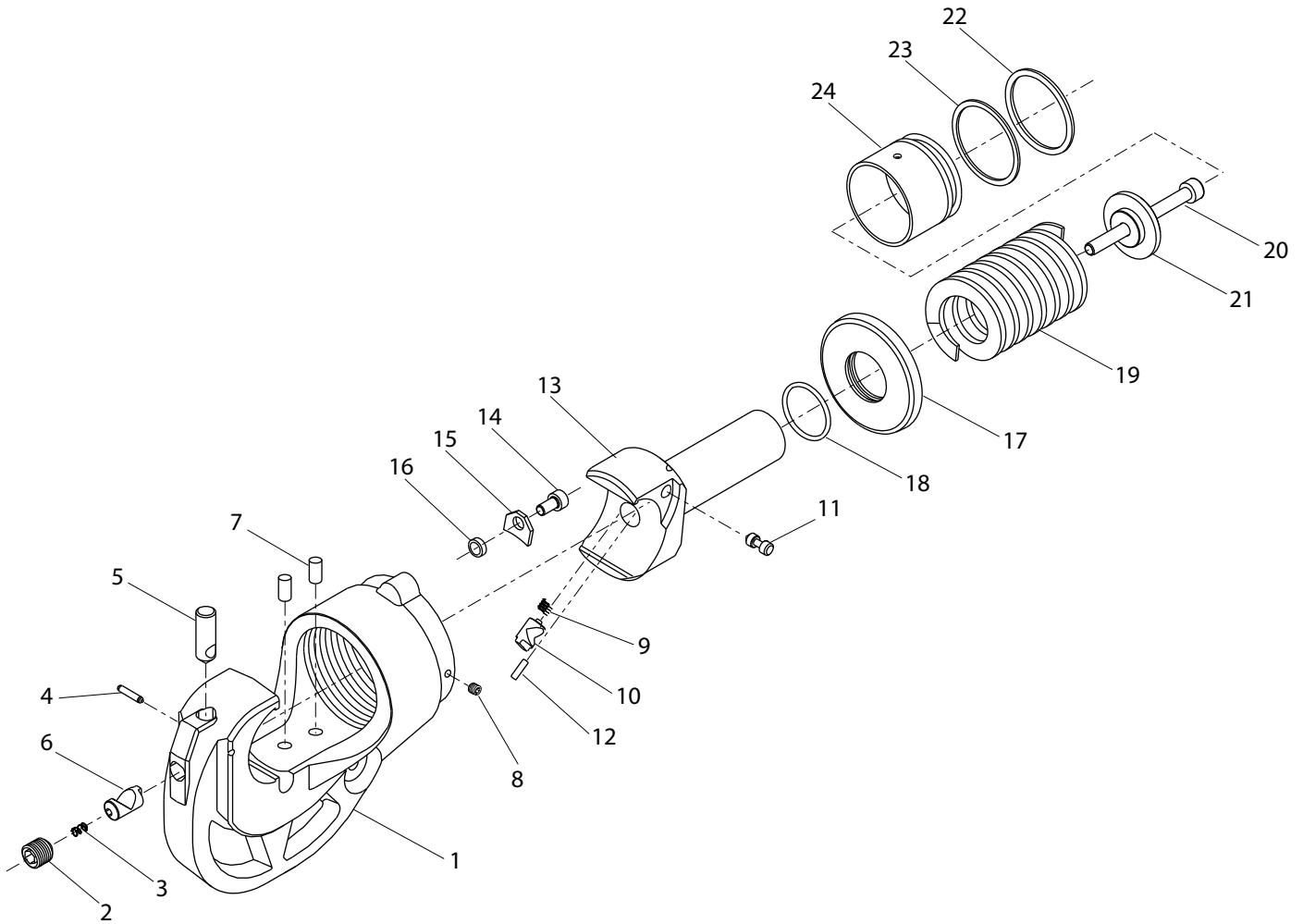
## Head and Ram Illustration and Parts List—EK622PL



Key	Part No.	Description	Qty
	<b>52054798</b>	<b>Head assembly</b> (includes 3–24)	
3	52055797	Ram .....	1
4	52080214	Adapter disk .....	2
5*		O-ring (included in 50047957) .....	1
6	50058398	Compression spring .....	1
	52055866	Pin kit (includes 7–9, 17)	
7		Spring .....	2
8		Pin .....	1
9		Pin .....	1
	52055867	Die retainer kit (includes 10, 11, 18–22)	
10		Die retainer .....	2
11		Compression spring .....	4
12	52057106	Screw .....	2
13	50058304	Bottom crimp head .....	1
14	50121693	Latch .....	1

Key	Part No.	Description	Qty
15	50121731	Top die holder .....	1
16	50121715	Bottom die holder .....	1
17		Retaining ring .....	4
18		Die release button .....	2
19		Die retainer .....	2
20		Roll Pin .....	2
21		Die release button .....	2
22		Locking pin .....	2
	52055865	Die holder kit (includes 23, 24)	
23		Threaded stud .....	1
24		Pin .....	1
25	52020648	Piston cup .....	1
26*		Backup ring (included in 50047957) .....	1
27*		O-ring (included in 50047957) .....	1

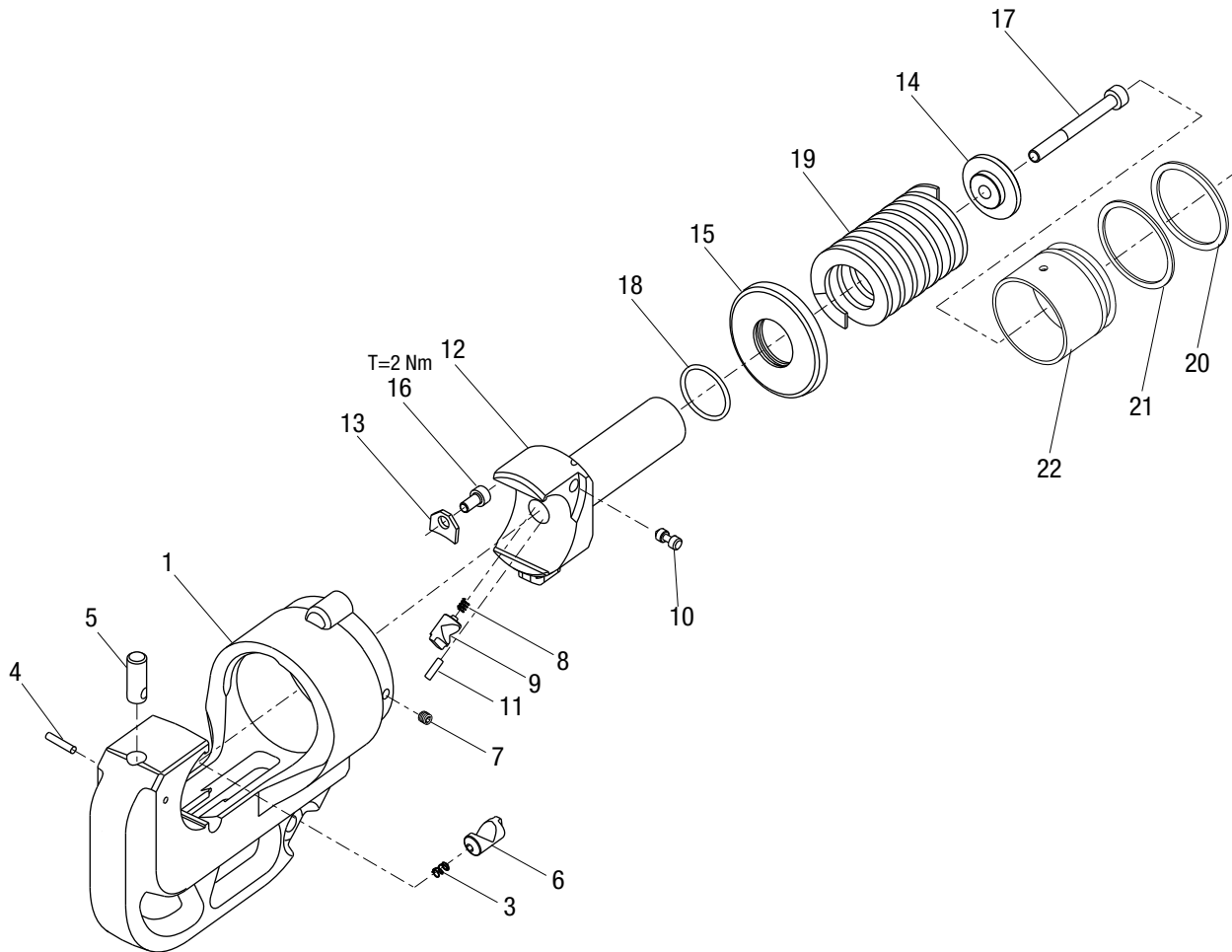
## Head and Ram Illustration and Parts List—EK1230L



Key	Part No.	Description	Qty
	<b>50053728</b>	<b>C-head assembly, 30 mm</b> (includes 1–8)	
1		C-head .....	1
2	90550609	Set screw .....	1
3	50038214	Compression spring .....	1
4	90550633	Groove pin .....	1
5	50053175	Die release button .....	1
6	50053191	Die release pin .....	1
7	90550625	Groove pin .....	2
8	90550617	Set screw .....	1
	<b>50053779</b>	<b>Ram assembly (includes 9–13)</b>	
9	50038214	Compression spring .....	1
10	50053167	Die release pin .....	1
11	50053183	Release shaft .....	1
12	90550641	Spring pin .....	1
13		Ram .....	1

Key	Part No.	Description	Qty
	50067079	Spring kit (includes 14–21)	
14		Screw, M5-0.8 x 10 mm skt head cap .....	1
15		Stop .....	1
16		Bushing, 5 x 9 x 3T .....	1
17		Spring stop .....	1
18		O-ring (included in 52054906) .....	1
19		Ram spring .....	1
20		Screw, M6-1.0 x 70 mm skt head cap .....	1
21		Disc .....	1
22		O-ring (included in 52054906) .....	1
23		Backup ring (included in 52054906) .....	1
24	50067796	Piston .....	1

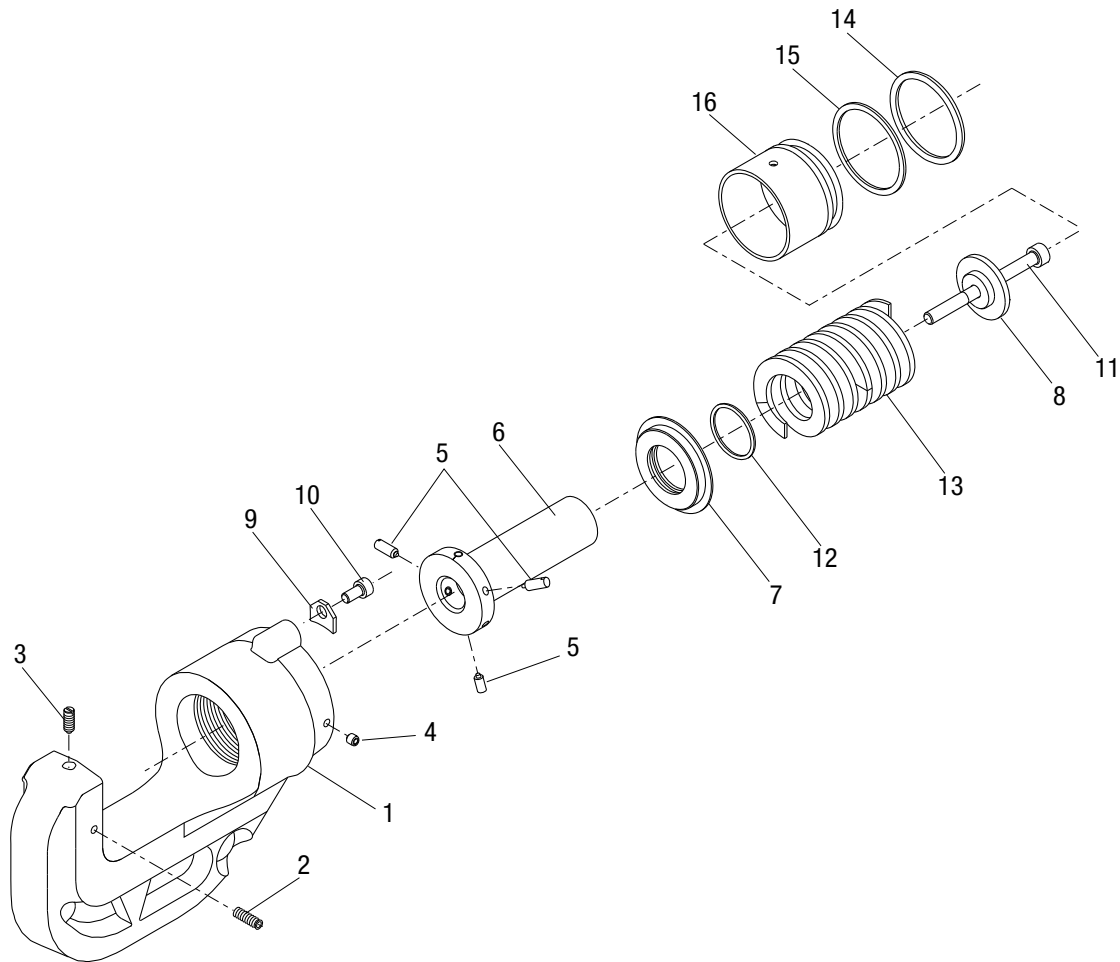
## Head and Ram Illustration and Parts List—EK1240L, EK1240CL



Key	Part No.	Description	Qty
	<b>50766056</b>	<b>C-head assembly, 42 mm</b> (includes 1-7)	
	<b>50766063</b>	<b>C-head assembly, 42 mm,</b> <b>PVC-covered</b> (includes 1-7)	
1		C-head, 42 mm .....	1
3	50038214	Compression spring .....	1
4	90550633	Groove pin .....	1
5	50053175	Die release button .....	1
6	50053191	Die release pin .....	1
7		Set screw, M5-0.8 x 5 mm skt cup pt .....	1
	<b>50053787</b>	<b>Ram assembly</b> (includes items 8-12)	
8	50038214	Compression spring .....	1
9	50053167	Die release pin .....	1
10	50053183	Release shaft .....	1
11	90550641	Spring pin .....	1
12		Ram .....	1

Key	Part No.	Description	Qty
	50067087	Spring kit (includes 13-19)	
13		Stop .....	1
14		Disc .....	1
15		Spring stop .....	1
16		Screw, M5-0.8 x 10 mm skt head cap .....	1
17		Screw, M6-1.0 x 80 mm skt head cap .....	1
18		O-ring (included in 52054906) .....	1
19		Ram spring .....	1
20		O-ring (included in 52054906) .....	1
21		Backup ring (included in 52054906) .....	1
22	50067796	Piston .....	1

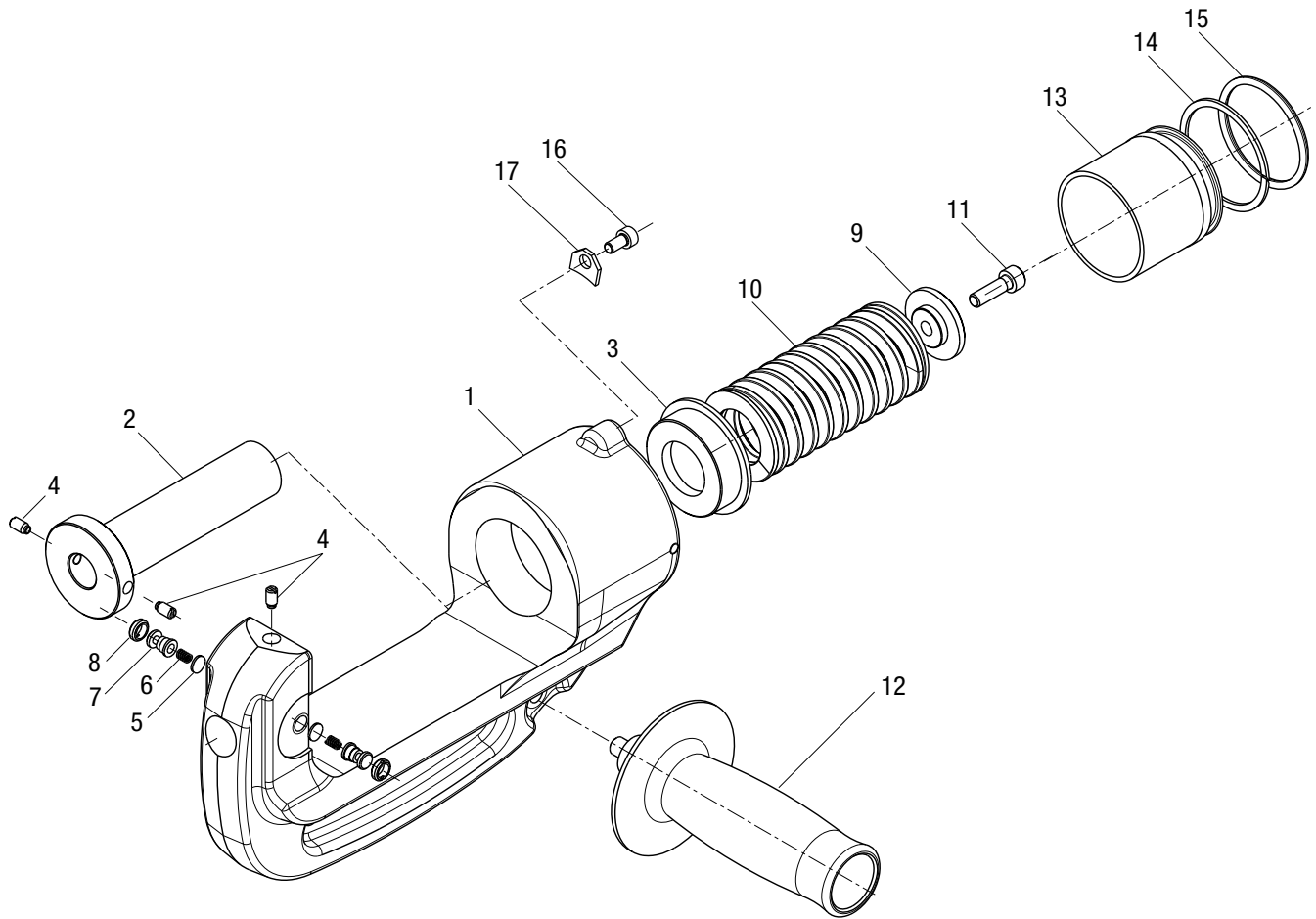
## Head and Ram Illustration and Parts List—EK1240KL



Key	Part No.	Description	Qty
	<b>50054767</b>	<b>C-head assembly, Kearney</b> (includes 1–4)	
	<b>52080188</b>	<b>C-head assembly, Kearney</b> (includes 1–13)	
1		C-head .....	1
2	90507932	Set screw .....	1
3	90539621	Ball detent .....	1
4	90550617	Set screw .....	1
5	90539621	Ball detent .....	3
6	50066714	Ram .....	1

Key	Part No.	Description	Qty
	50067095	Spring kit (includes 7–13)	
7		Stop spring.....	1
8		Disc .....	1
9		Stop.....	1
10		Screw, M5-0.8 x 10 mm skt head cap .....	1
11		Screw, M6-1.0 x 70 mm skt head cap .....	1
12		O-ring (included in 52054906).....	1
13		Ram spring.....	1
14		O-ring (included in 52054906).....	1
15		Backup ring (included in 52054906).....	1
16	50067796	Piston .....	1

## Head and Ram Illustration and Parts List—EK1550L

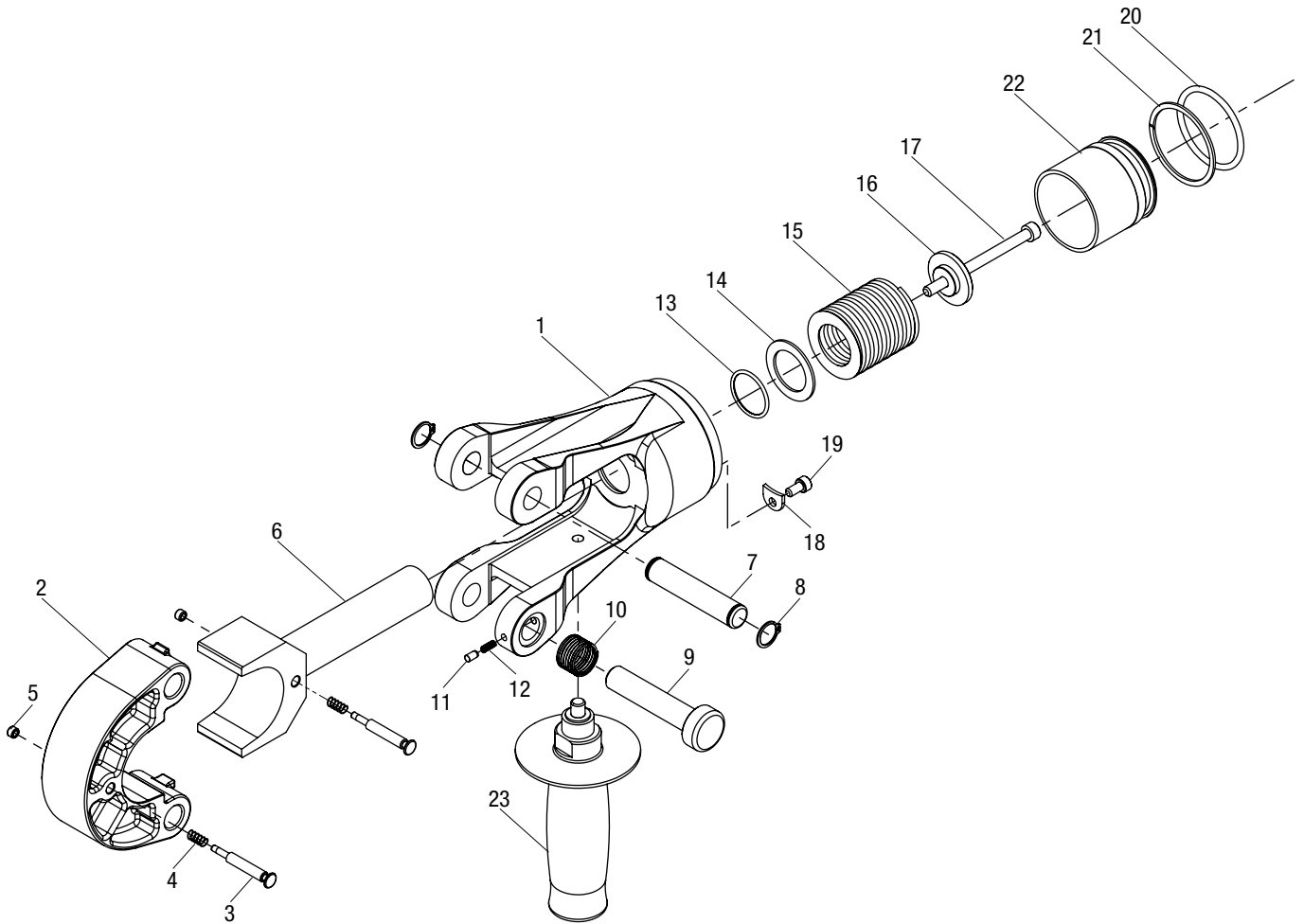


Key	Part No.	Description	Qty
	<b>52048139</b>	<b>Head unit (includes 1–11)</b>	
1		Crimp head.....	1
2		Ram.....	1
3		Piston guide .....	1
4	90539621	Ball plunger .....	3
	52047036	Die retainer kit (includes 5–8)	
5		Disk .....	2
6		Spring.....	2
7		Die pin .....	2
8		Nut.....	2

Key	Part No.	Description	Qty
9	50066900	End cap .....	1
10		Spring.....	1
11		Screw, M6-1.0 x 20 mm skt head cap .....	1
12	52020646	Handle .....	1
13	52047044	Piston .....	1
14		Backup ring (included in 52054906).....	1
15		O-ring (included in 52054906).....	1
16	50043767	Screw .....	1
17	52061362	Stop.....	1



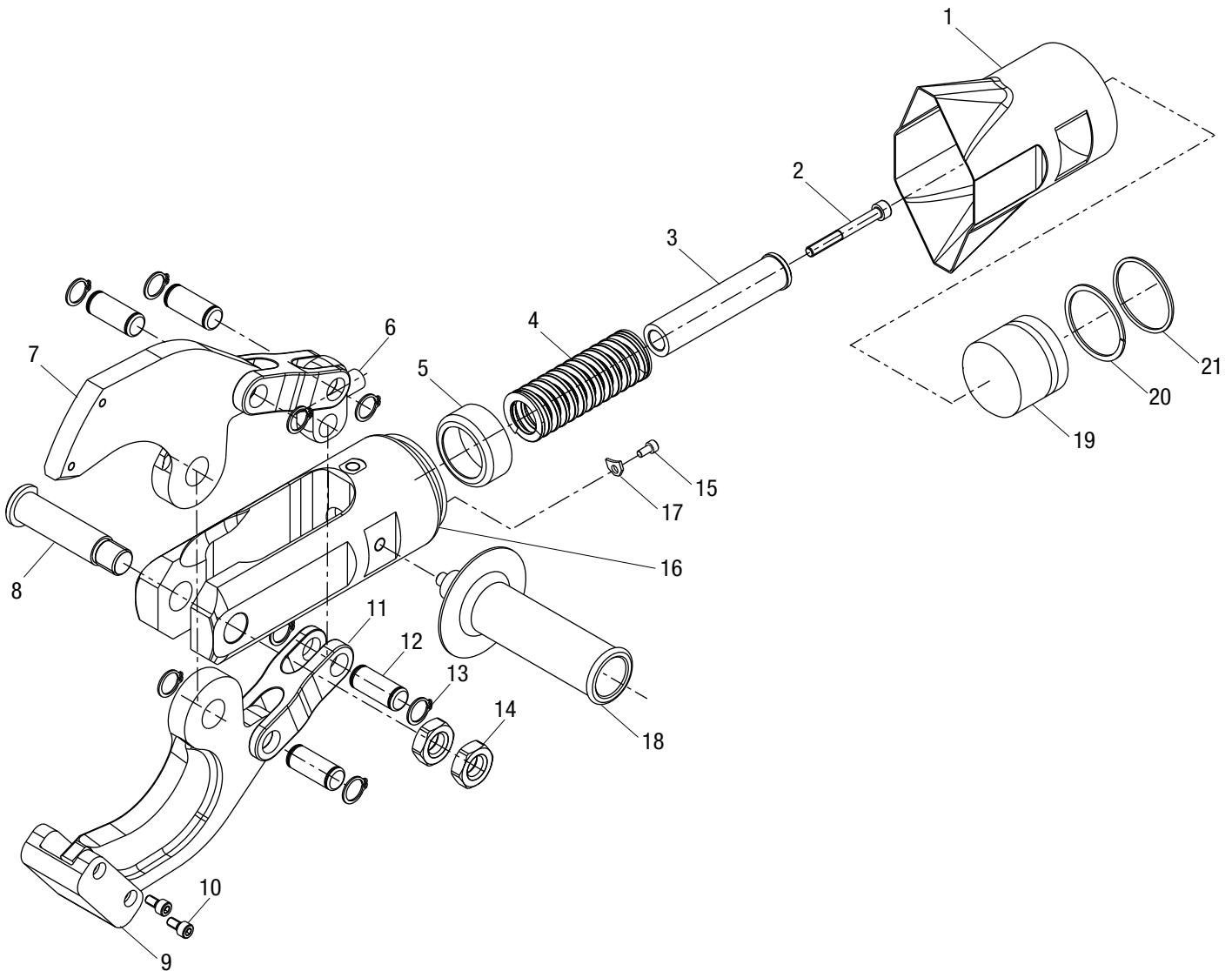
## Head and Ram Illustration and Parts List—EK1550FL



Key	Part No.	Description	Qty
	<b>52061348</b>	<b>Head assembly (includes 1–19)</b>	
1		Crimping head base.....	1
2		Head, movable.....	1
3		Die retaining pin.....	2
4		Compression spring.....	2
5		Die releasing button.....	2
6		Ram.....	1
7		Pin.....	1
8		Retaining ring.....	2
9		Pull pin.....	1
10		Compression spring.....	1
11		Lock pin.....	1
12		Compression spring.....	1
13		O-ring.....	1

Key	Part No.	Description	Qty
14		Washer.....	1
15		Spring.....	1
16		End cap.....	1
17		Screw, M6 x 80 mm socket head cap.....	1
18	50066943	Stop.....	1
19		Screw, M5 x 10 mm socket head cap.....	1
20		O-ring (included in 52054906).....	1
21		Backup ring (included in 52054906).....	1
22	52047044	Piston cup.....	1
23	52020646	Handle.....	1
	52062270	Die pin kit (includes two each of 3–5)	
	52062271	Pivot pin kit (includes 7–12)	
	52062272	Seal kit (includes 13, 20, 21)	
	52062273	Ram kit (includes 6, 15–17)	

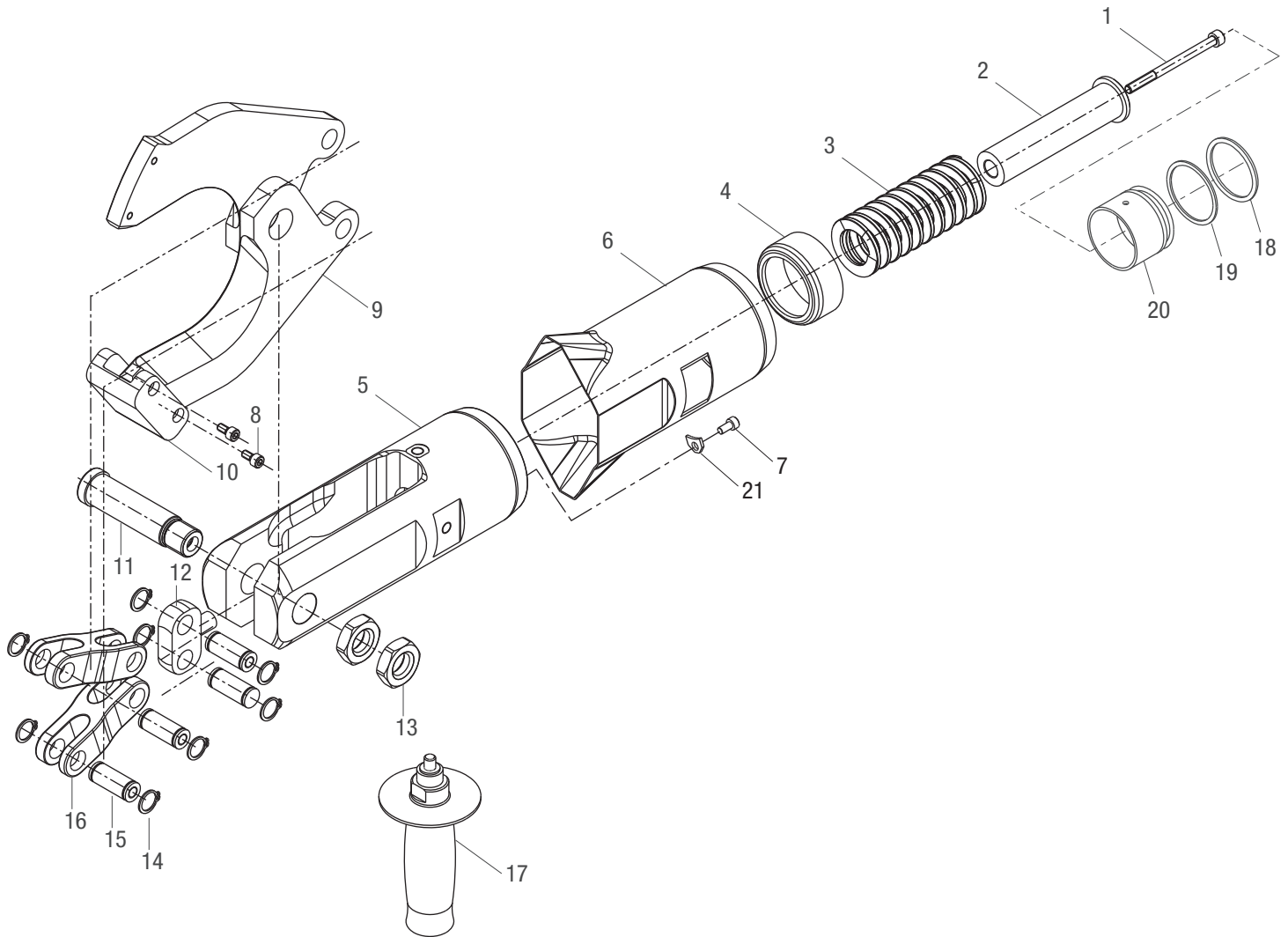
## Head and Ram Illustration and Parts List—ESC85L



Key	Part No.	Description	Qty
	<b>52057512</b>	<b>Cutting head (includes 1–17)</b>	
1		Shrink cover .....	1
2		M6 x 55 mm socket head cap screw .....	1
3	52020641	Piston rod .....	1
4	50058258	Return spring .....	1
5	52057514	Spring cup .....	1
6		Bearing block .....	1
7	52057513	Blade .....	2
8	52020643	Clevis pin .....	1
9	52046709	Blade guide .....	1
10	50043676	M5 socket head cap screw .....	2
11		Link .....	2

Key	Part No.	Description	Qty
12		Pin .....	4
13		Retaining ring .....	8
14	52020644	M16 hex nut .....	2
15		Screw .....	1
16		Yoke .....	1
17	50066943	Stop .....	1
18	52020646	Handle .....	1
19	52020648	Piston .....	1
20		Piston backup ring (included in 52054906) .....	1
21		O-ring (included in 52054906) .....	1
	52046857	Pin kit (includes 12,13)	

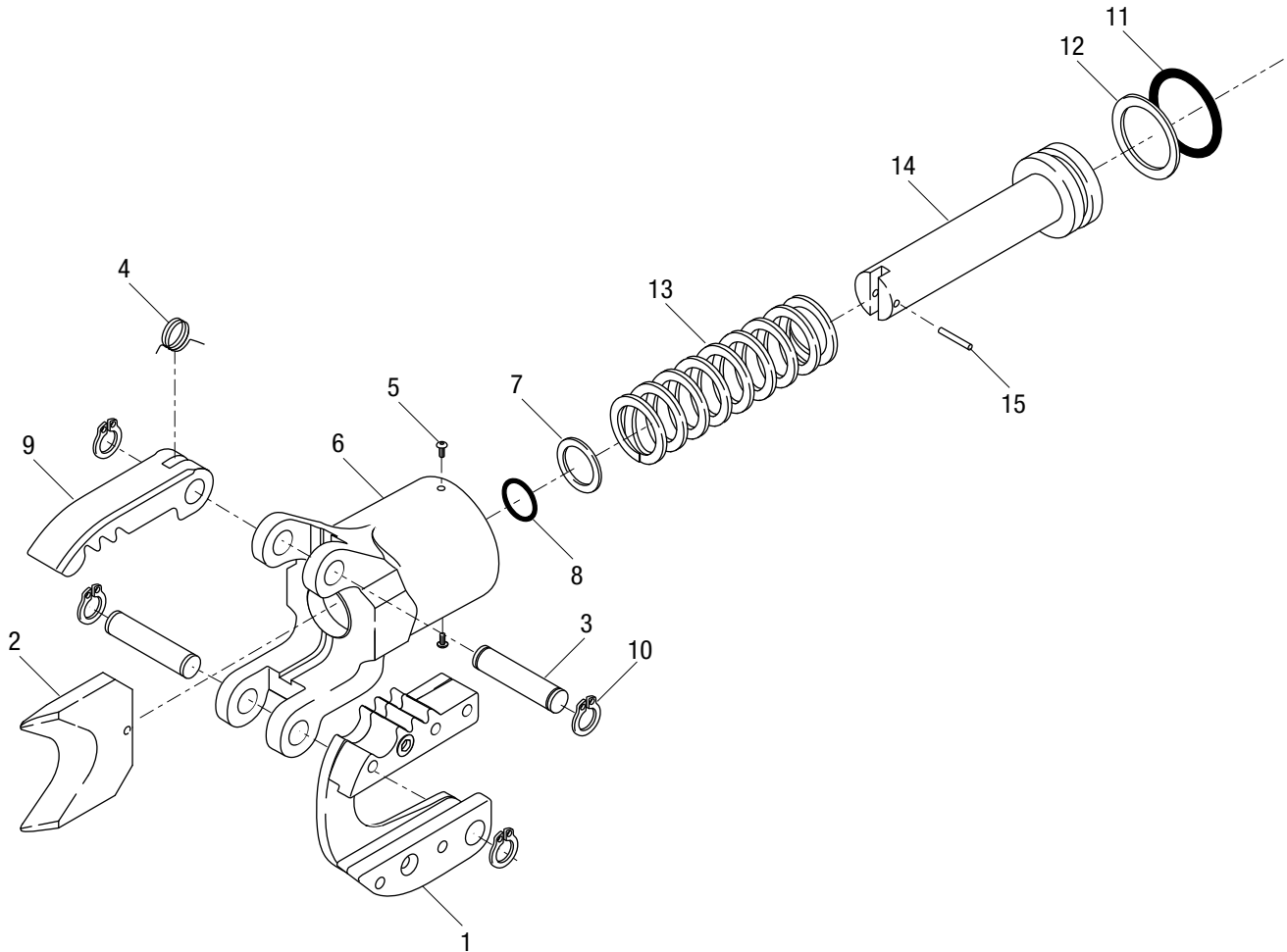
## Head and Ram Illustration and Parts List—ESC105L



Key	Part No.	Description	Qty
	<b>52046698</b>	<b>Cutting head (includes 1-16)</b>	
1		Screw .....	1
2		Piston rod .....	1
3		Spring .....	1
4		Cylinder sleeve .....	1
5		Cutter body .....	1
6		Tubing .....	1
7	50049216	Socket head cap screw .....	1
8		Socket head cap screw .....	2
9		Cutter blade .....	2
10		Blade guide .....	1
11		Pivot pin .....	1
12		Attachment block .....	1

Key	Part No.	Description	Qty
13		Hex nut .....	2
14		Retaining ring .....	8
15		Pin .....	4
16		Double fork .....	2
17	52020646	Handle .....	1
18		O-ring (included in 52054906) .....	1
19		Backup ring (included in 52054906) .....	1
20	50067796	Piston .....	1
21	52056967	Stop .....	1
	52046856	Blade kit (includes 8-10)	
	52046857	Pin kit (includes 14, 15)	
	52046858	Attachment block kit (includes 1, 12)	

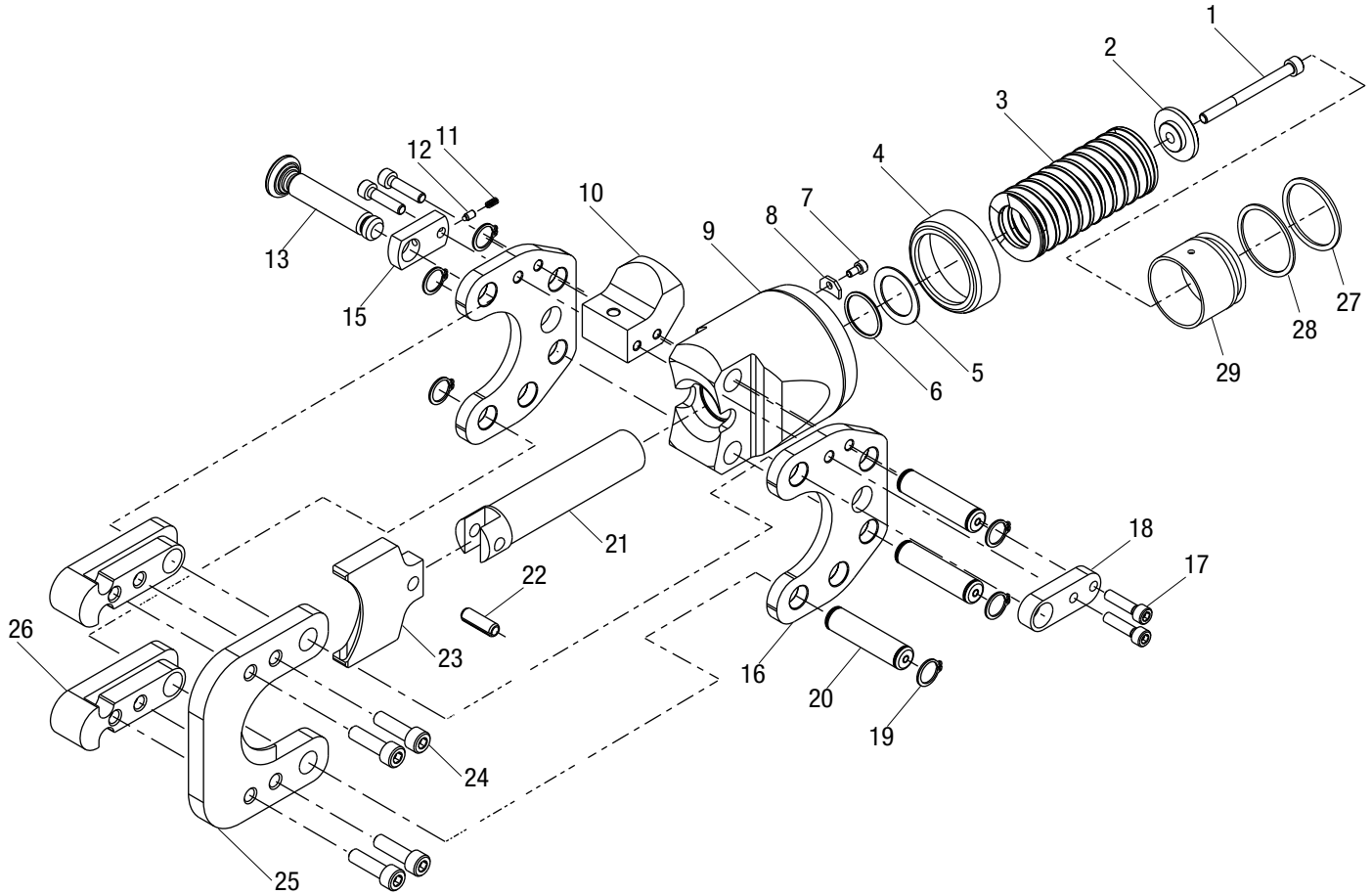
## Head and Ram Illustration and Parts List—ESG50L



Key	Part No.	Description	Qty
	<b>50014145</b>	<b>Head unit</b> (includes 1–10)	
1	50041843	Cutting head.....	1
2	50041819	Cutting blade.....	1
3	50041797	Pin .....	2
4	50041746	Spring.....	1
5	50041681	Screw .....	2
6	50058240	Cutting head base.....	1
7	50058371	Adapter disk.....	1
8		O-ring (included in 52054906).....	1
9	50041789	Latch .....	1
10	50034308	Retaining ring .....	4

Key	Part No.	Description	Qty
11		O-ring (included in 52054906).....	1
12		Piston backup ring (included in 52054906) .....	1
13	50058258	Compression spring .....	1
14	50058266	Piston .....	1
15	50041967	Pin .....	1

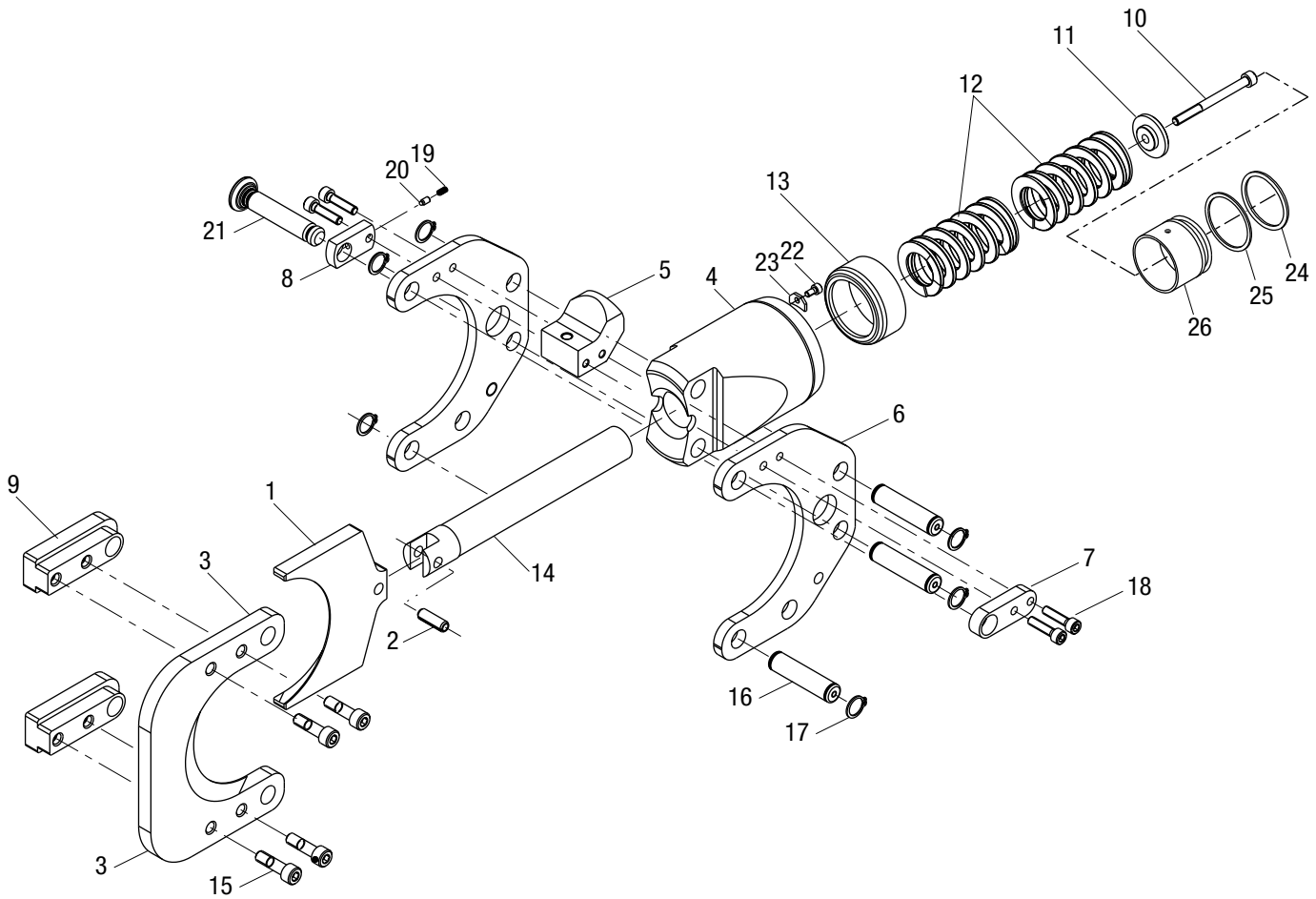
## Head and Ram Illustration and Parts List—ESG55L



Key	Part No.	Description	Qty
	<b>52056980</b>	<b>Head and ram unit (includes 1–26)</b>	
1	50066951	Spring bolt.....	1
2	50066900	End cap.....	1
3		Spring.....	1
4		Spring guide.....	1
5		Adapter disk.....	1
6		O-ring (included in 52054906).....	1
7		Screw .....	1
8		Stop.....	1
9		Cutting head base.....	1
10		Handle block.....	1
11		Compression spring.....	1
12		Ball pin indent .....	1
13		Pin assembly.....	1
15		Pin guide .....	1
16		Frame plate .....	2
17		Screw .....	4
18		Spacer.....	1

Key	Part No.	Description	Qty
19		Retaining ring .....	6
20		Pin .....	3
21		Blade holder.....	1
22		Pin .....	1
23	52056976	Cutting blade.....	1
24		Screw .....	4
25	52056978	Cutting head.....	1
26		Blade guide .....	2
27		O-ring (included in 52054906).....	1
28		Backup ring (included in 52054906).....	1
29	50067796	Piston .....	1
	52065181	Fastener kit (includes 7, 8, 11, 12, 17, 19, 20, 22, 24)	
	52065827	Plate kit (includes 9, 10, 15, 16, 18, 26)	
	52065829	Spring kit (includes 1-6, 21)	

## Head and Ram Illustration and Parts List—ESG105L



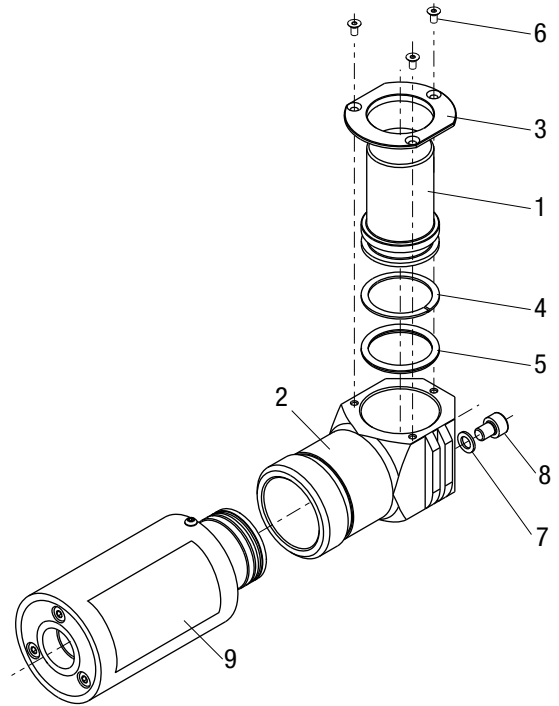
Key	Part No.	Description	Qty
	<b>52065118</b>	<b>Cutting head (includes 1–23)</b>	
1	52065125	Movable cutting blade.....	1
2	52056975	Pin .....	1
3	52065124	Fixed cutting blade.....	1
4		Cutting head base.....	1
5		Handle block .....	1
6		Frame plate .....	2
7		Spacer .....	1
8		Pin guide .....	1
9		Blade guide .....	2
10		Socket head cap screw.....	1
11		End cap.....	1
12		Spring, 40 mm.....	2
13		Cylinder sleeve.....	1
14		Blade holder .....	1
15		Screw .....	4

Key	Part No.	Description	Qty
16		Pin .....	3
17		Retaining ring .....	6
18		Screw .....	4
19		Compression spring.....	1
20		Ball pin detent .....	1
21		Pin assembly .....	1
22		Fillister head screw.....	1
23		Stop.....	1
24		O-ring .....	1
25		Backup ring (included in 52054906).....	1
26	50067796	Piston	
	52065149	Plate kit (includes 4–9)	
	52065150	Spring kit (includes 10–14)	
	52065181	Fastener kit (includes 2, 15–23)	

## Accessories—E6CCXL and E12CCXL

### Punch Driver Adapter—UA12P Illustration and Parts List

Key	Part No.	Description	Qty
<b>50118900 Punch driver adapter CCX</b>			
1		Piston .....	1
2		Housing .....	1
3		Piston stop ring .....	1
4		Piston backup ring (included in 52054906) .....	2
5		O-ring (included in 52054906) .....	2
6	50041576	Screw .....	3
7		Lock washer .....	1
8		Cap screw, M6x8 .....	1
9	50120085	Decal, identification .....	1
	50017420	Seal kit, UA6P punch adapter (includes 4, 5, 7)	



### Cylinder Assembly Illustration and Parts List

Key	Part No.	Description	Qty
<b>50017403 Cylinder assembly</b>			
1	50058282	Ram housing .....	1
2	50049267	Ram .....	1
3	50058274	Piston .....	1
4		Compression spring .....	1
5	50041681	Screw .....	2
6	50049275	Spacer .....	3
7	50049291	Cap screw, M4x60 .....	3
8		Piston backup ring (included in 52054906) .....	1
9		O-ring (included in 52054906) .....	1

