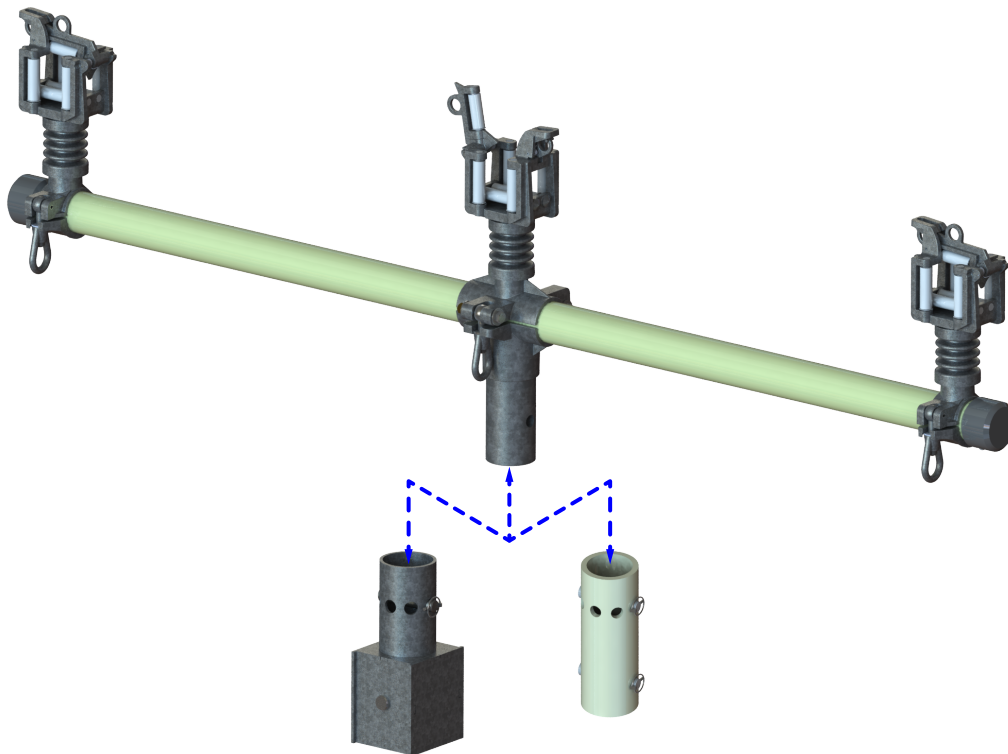




**CUSTOM
TRUCK**
ONE SOURCE™



JIB TREE

APPLICATION INSTRUCTIONS

REV A

DECEMBER, 2023

For questions and assistance email
PTAManufacturing@customtruck.com

C1064040

Table of Contents

Introduction	4
Definitions Used In This Manual	5
Safety Warnings	5
Usage And Care	6
General Usage Guidelines.....	6
Precautions	7
Electrical Ratings	7
Maximum Load Ratings	7
Application.....	8
Maintenance and Storage.....	8
Installation	9
Parts Diagrams	11
Assembly-Triple Cable Support Jib (No Mount) (NL-C1053430)	11
Assembly-Triple Cable Support Jib With Square Mount (NL-C1055005-S).....	12
Assembly - Square Jib Boom Mount (NL-C1065236).....	13
Assembly - Triple Cable Support Jib With Round Mount (NL-C1064325-R).....	14
Assembly - Round Jib Boom Round Mount (NL-C1064361).....	15
Revision Content	16
Warranty	17

Introduction

KEEP THESE INSTRUCTIONS WITH THE EQUIPMENT FOR FUTURE REFERENCE.






The equipment covered in this instruction guide must be installed, used, and serviced only by competent personnel familiar with and following good work and safety practices. This equipment is for use by such competent personnel and is not intended as a substitute for adequate training and experience in safe procedures for this type of equipment.

The information contained in this guide has been compiled because of a review of the Product, its intended application and use considerations. However, this guide does not cover all details or situations of equipment use, nor does it provide for every possible contingency to be encountered in relation to installation, operation or maintenance. Should additional information and details or specific situations arise which are not covered adequately for the user's purpose, consult your supervisor and the appropriate rules for safe work practices.


These instructions do not claim to cover all details or variations in equipment, nor provide for all possible conditions to be met with concerning installation, operation, or maintenance of this equipment. The presence of an energized overhead line may necessitate alternate methods to prevent accidental contact with lines. If further information is desired or if problems are encountered which are insufficiently addressed in this guide contact Custom Truck One Source.

Definitions Used In This Manual

The following table describes text and symbols used to highlight important information.

Signal Word	Symbol	Explanation
DANGER		DANGER IS USED TO ALERT READERS ABOUT AN IMMEDIATE AND SERIOUS HAZARD THAT WILL LIKELY BE FATAL.
WARNING		WARNING IS USED TO ALERT READERS ABOUT THE POTENTIAL FOR SERIOUS INJURY OR DEATH OR SERIOUS DAMAGE TO EQUIPMENT.
CAUTION		CAUTION IS USED TO ALERT READERS ABOUT THE POTENTIAL FOR ANYTHING FROM MODERATE INJURY TO SERIOUS EQUIPMENT DAMAGE OR DESTRUCTION.
READ		READ IS USED TO ALERT READERS OF INFORMATION TO BE READ ON MACHINERY.
NOTE		NOTE IS USED FOR A TIP OR SUGGESTION TO HELP READERS CARRY OUT A PROCEDURE SUCCESSFULLY.

Safety Warnings

	WARNING All repairs, adjustments and maintenance not described in the Operator's Manual must be performed by Qualified Service Personnel.
---	--

Usage And Care



WARNING

Jib Tree, and the associated wire holders, are intended for temporary support of energized conductors to provide clearance around the workspace. The jib tree is for use on a straight line only.

All equipment must be mounted securely and must be used in a horizontal position.

Do not use this equipment if the load upon the conductors will exceed the ratings. All loads must be as balanced as possible. Install conductors to maintain as balanced as possible the load upon the jib tree.

This equipment is for temporary use under energized conditions. Temporary is defined as 72 hours under clean and dry conditions. Use for a longer period or under wet conditions will result in degradation of the jib tree and possible electrical tracking. This degradation and tracking will result in a phase to phase / phase to ground electrical arc, causing possible injury and damage to equipment.

Only wire holders and associated insulators may be mounted on the jib tree. Do not over tighten or over torque. Do not mount any other equipment. Other equipment must be mounted to a separate, appropriate device.

Clean, inspect and wipe down the jib tree with a clean cloth prior to each use. If there are any signs of degradation or moisture penetration, **DO NOT USE THE TOOL** until it has been refinished and tested.

While the jib tree is not considered primary protection, it is recommended that they are tested and evaluated for refinishing every twelve to eighteen months from date of manufacture, depending on use.

General Usage Guidelines

Please note that the instructions provided above are general guidelines for using this jib tree. These instructions are intended to provide a basic understanding of the usage and safety considerations associated with a jib tree. However, it is essential to recognize that these instructions may not cover all possible scenarios or specific requirements for your unique situation.

Before using a jib tree, we strongly recommend consulting safety guidelines and any applicable regulations or standards specific to your industry or workplace. It is crucial to receive proper training and guidance from qualified professionals who can assess your specific circumstances and provide accurate instructions tailored to your needs.

Always prioritize safety, adhere to local regulations, and seek professional advice when necessary to ensure the appropriate and safe use of jib trees in your specific situation.

Precautions



DANGER

Always maintain proper working clearances and Minimum Approach Distances (MAD) when working near energized lines or equipment. If using rubber gloves in combination with a stick that does not meet OSHA requirements, the gloves must be rated for full system voltage.



WARNING

Before using the jib tree, ensure the following precautions:

Make sure you are wearing appropriate personal protective equipment (PPE) such as insulated gloves, safety glasses, and protective clothing.

Inspect the jib tree for any signs of damage, such as cracks, chips, or exposed conductive material. Do not use a damaged jib tree.

Ensure that the jib tree is clean and free from any contaminants that may affect their insulation properties.

Electrical Ratings

CLEAN, DRY, AND COATED FIBERGLASS

15kV Phase to Phase

34.5kV Phase to Phase



WARNING

Insulators, such as C1052918, must be installed to gain over surface distance for possible wet weather conditions and/or increasing phase-to-phase voltage rating to 34.5kV under clean and dry conditions. The insulators are not for personnel protection. The wire holder and mounting clamp are metal and will conduct electricity and personnel must avoid contact. Contact will result in electrical shock resulting in injury or death.

Maximum Load Ratings



WARNING

DO NOT EXCEED THESE RATINGS!

300 lbs. per wire holder*

100 lbs. side load per wire holder

Max 1 wire holder per side with center Tee assembly insulator and wire holder



***CAUTION**

The tool has a weight capacity of up to 300 lbs. for imbalanced loads, which means it can support up to 300 lbs. of conductor on the outermost support wire holder. However, this setup is only acceptable for initial setup purposes. During operation, a balanced load must be maintained at all times.

Application

The jib tree is meant to be used in a straight line with conductors not exceeding vertical or horizontal side load.

All loads must be as balanced as possible. Install conductors in a way to maintain a balanced load on the jib tree.

1. Confirm that the Jib Tree is securely connected to the equipment and that there is no looseness or wobbling.
2. Hold the Jib Tree firmly during use to maintain control and stability.
3. Do not exceed the recommended maximum extension length of the Jib Tree.
4. Avoid using excessive force or applying pressure on the Jib Tree that may cause them to bend or break.
5. If you need to adjust the position of the equipment or tools, do it carefully without putting excessive strain on the Jib Tree.
6. After use, disconnect the Jib Tree by gently pulling apart, ensuring a controlled separation.

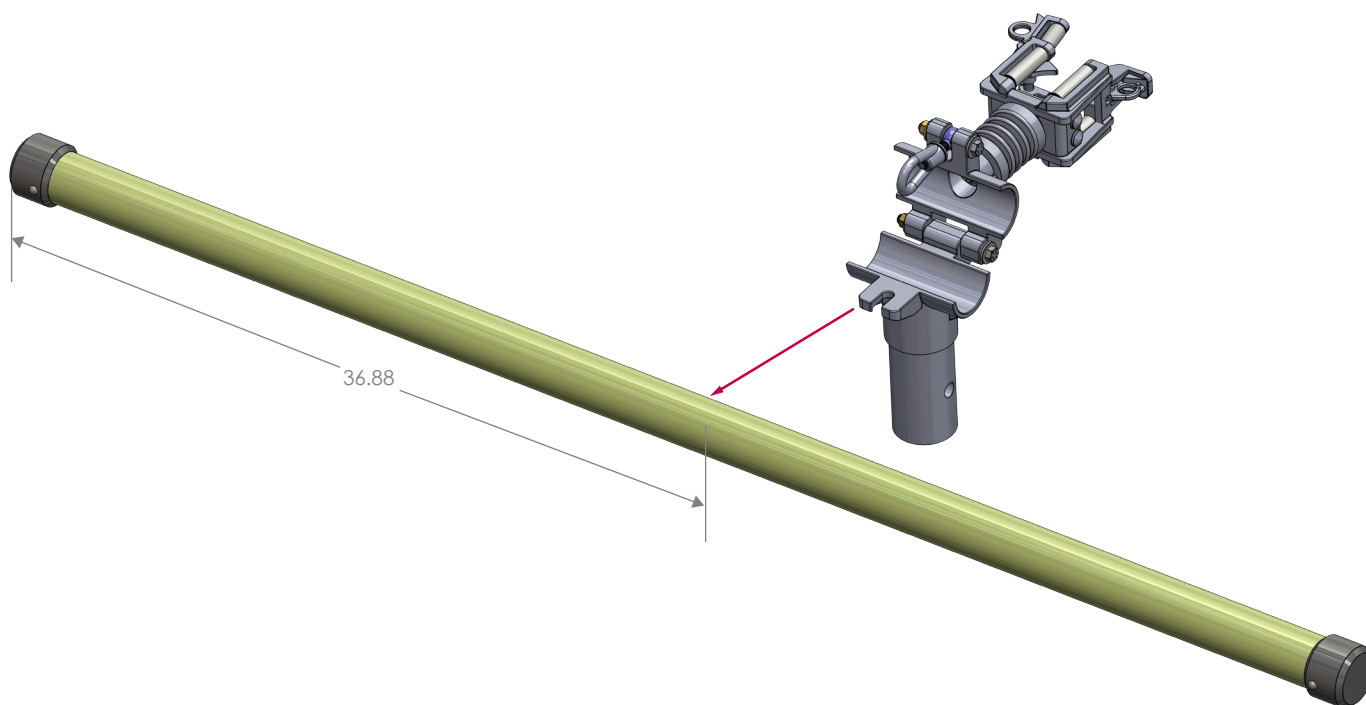
Maintenance and Storage

To ensure the longevity and proper functioning of the jib tree, follow these maintenance and storage guidelines:

- Regularly inspect the jib tree for any signs of damage or wear. Replace a damaged jib tree immediately.
- Clean the jib tree with a mild detergent and water when needed. Do not use abrasive materials or solvents.
- Fiberglass equipment must be stored out of direct sunlight in a clean and dry environment. When stowed or transported, fiberglass should be placed on a padded surface to avoid damage to the finish or the fiberglass itself.
- Avoid storing heavy objects on top of the jib tree, as this may cause deformation or damage.

Installation

1. The center **Tee** section is placed in the center of the fiberglass rod and secured with the loop nut, clamping the section to the fiberglass mast.



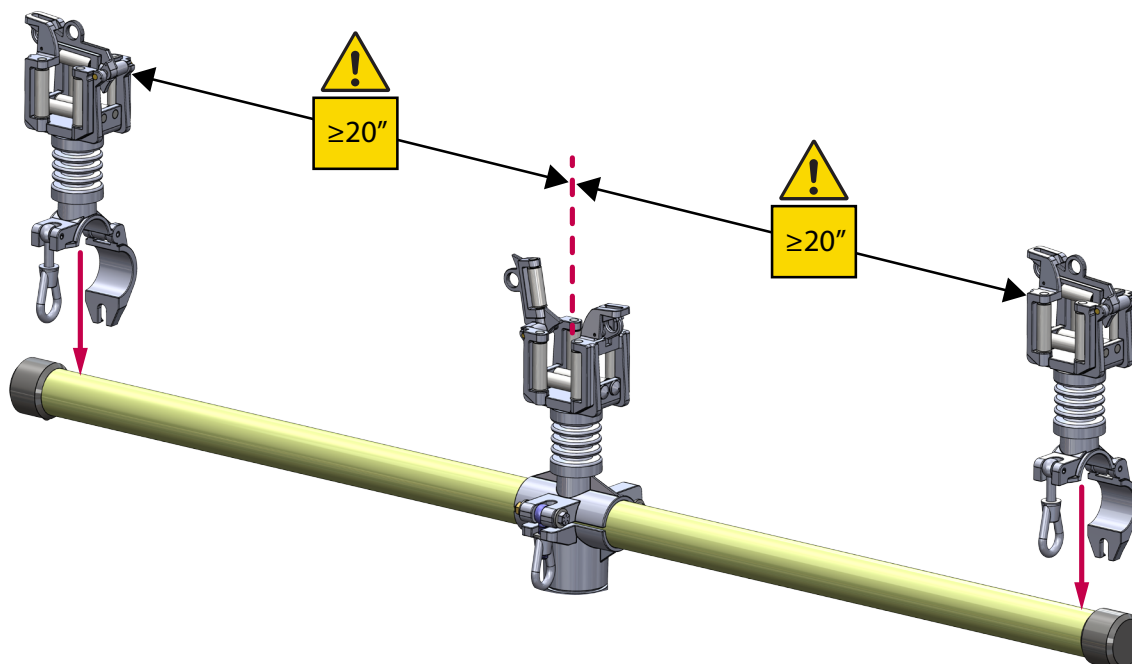
2. The outermost **wire holders** are clamped to the mast next to each end cap.

*CAUTION



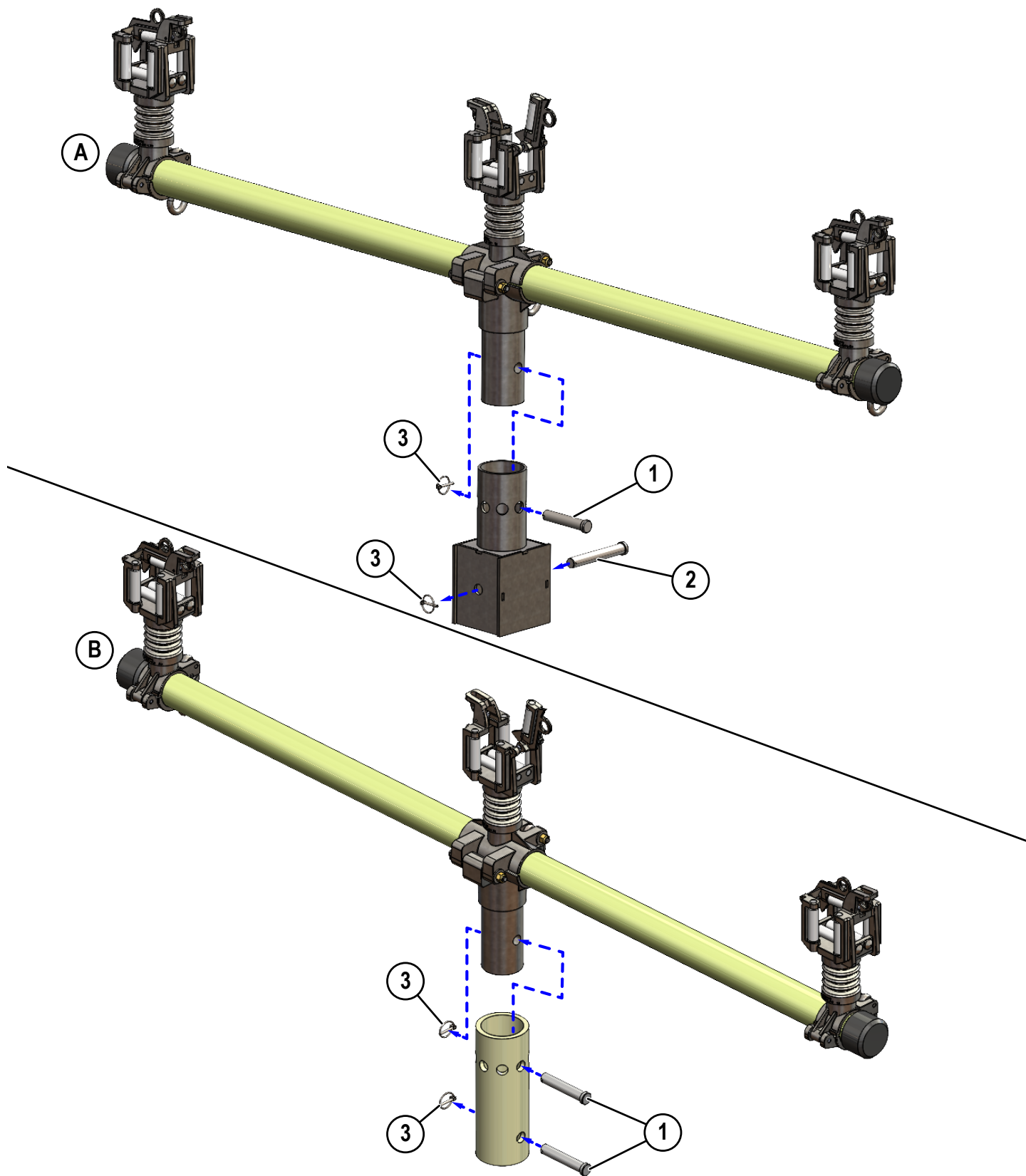
If the wire holders need to be moved inward, it is important that the spacing in between each wire holder has a minimum 20" of space between them.

Should the wire holders need to be adjusted, it is IMPORTANT that the load is balanced.



Inserting Tee Clamp into Tee Mount Bracket (if equipped).

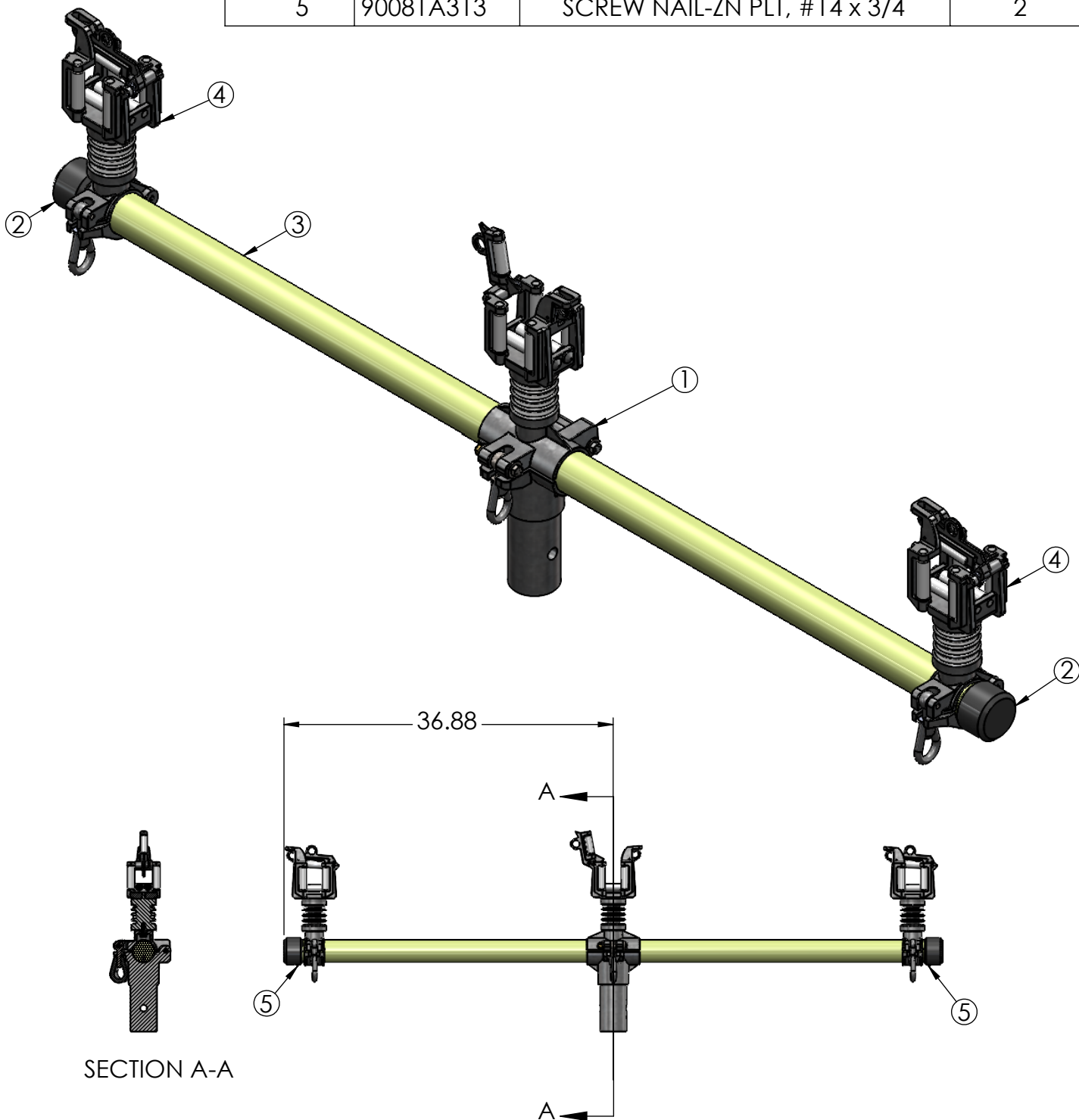
3. **A:** Insert (longer) **Clevis Pin (2)** into lower hole for attaching to a jib. Secure Clevis pins with **Linchpin (3)**. Insert Tee into square jib mount, Insert (shorter) **Clevis Pin (1)** into upper shaft. Secure with **Linchpin (3)**.
B: Insert **Clevis Pin (1)** into lower hole for attaching to a jib. Secure Clevis pins with **Linchpin (3)**. Insert Tee into round jib mount, Insert **Clevis Pin (1)** into upper shaft. Secure with **Linchpin (3)**.



Parts Diagrams

Assembly-Triple Cable Support Jib (No Mount) (NL-C1053430)

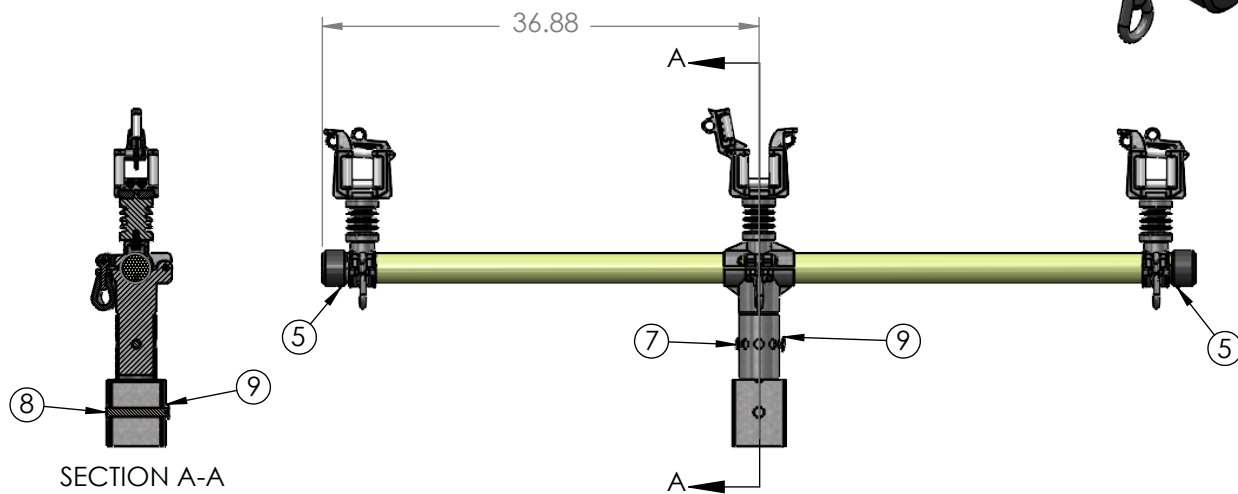
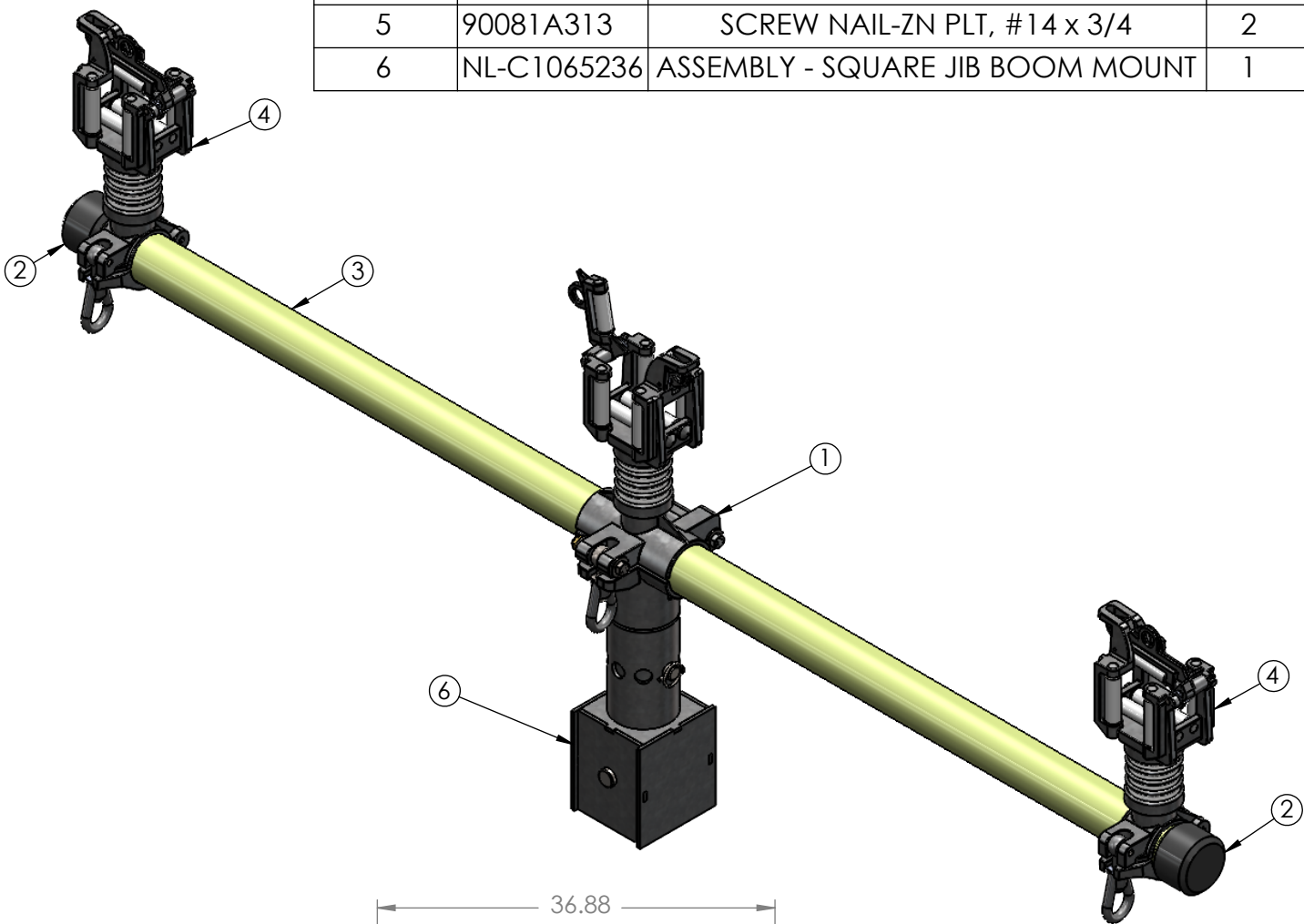
ITEM NO.	PART No.	DESCRIPTION	QTY.
1	NL-C1054859	ASSEMBLY - CLAMP, TEE	1
2	NL-C1053423	CAP-UHMW, 2.51 ID x 3.00 OD	2
3	NL-C1053425	ROD-FBRGLS, 2.50 OD x 73.00	1
4	NL-C1053420	ASSEMBLY - WIRE SUPPORT CLAMP	2
5	90081A313	SCREW NAIL-ZN PLT, #14 x 3/4	2



SECTION A-A

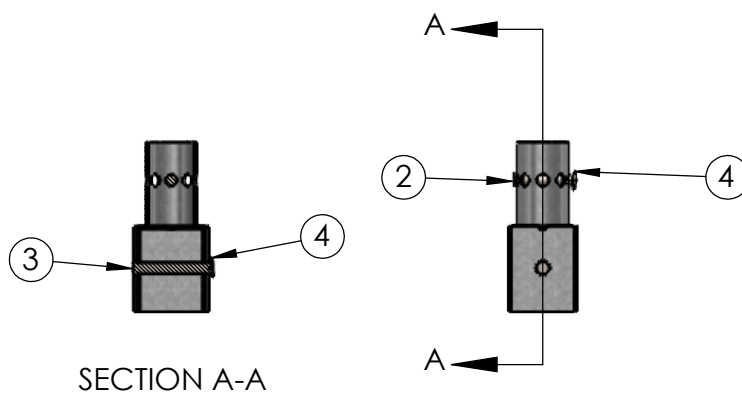
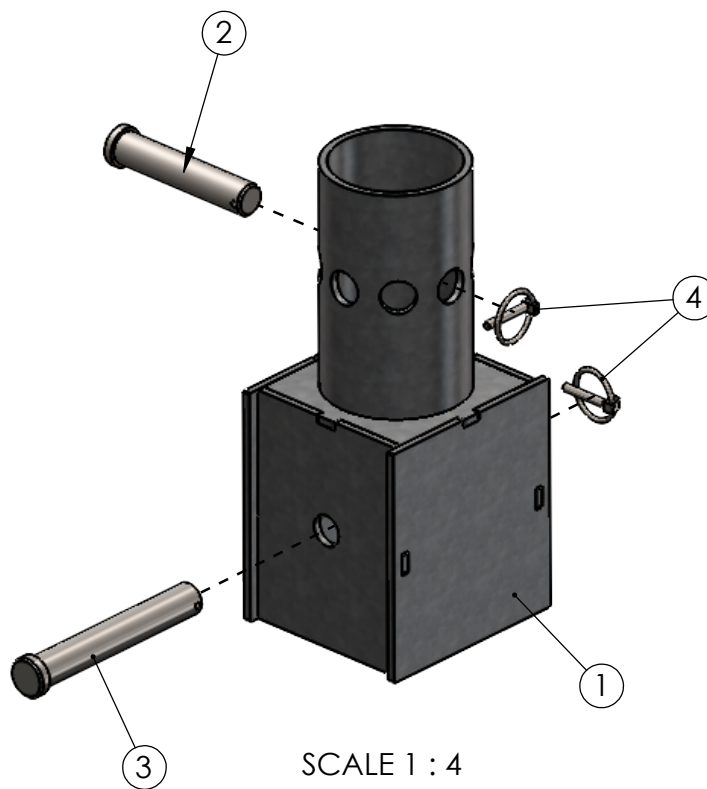
Assembly-Triple Cable Support Jib With Square Mount (NL-C1055005-S)

ITEM NO.	PART No.	DESCRIPTION	QTY.
1	NL-C1054859	ASSEMBLY - CLAMP, TEE	1
2	NL-C1053423	CAP-UHMW, 2.51 ID x 3.00 OD	2
3	NL-C1053425	ROD-FBRGLS, 2.50 OD x 73.00	1
4	NL-C1053420	ASSEMBLY - WIRE SUPPORT CLAMP	2
5	90081A313	SCREW NAIL-ZN PLT, #14 x 3/4	2
6	NL-C1065236	ASSEMBLY - SQUARE JIB BOOM MOUNT	1



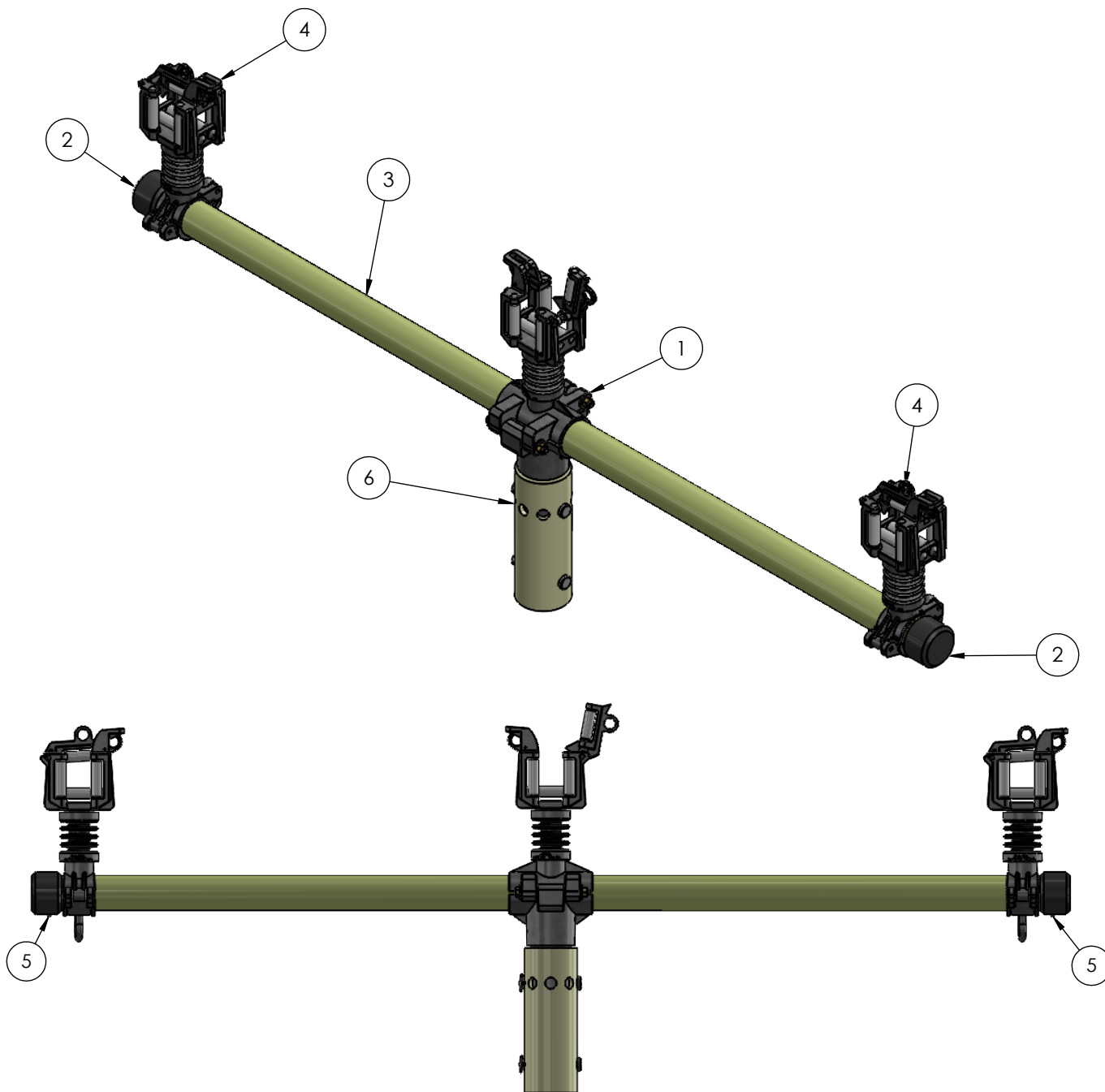
Assembly - Square Jib Boom Mount (NL-C1065236)

ITEM NO.	PART No.	DESCRIPTION	QTY.
1	NL-C1054879	WELDMENT-TEE MOUNT BRKT	1
2	94380A746	CLEVIS PIN- Ø3/4 X 3.50	1
3	97245A496	CLEVIS PIN-Ø3/4 X 5	1
4	90170A113	LINCH PIN-Ø3/16 X 1-1/4, ZN PLT	2



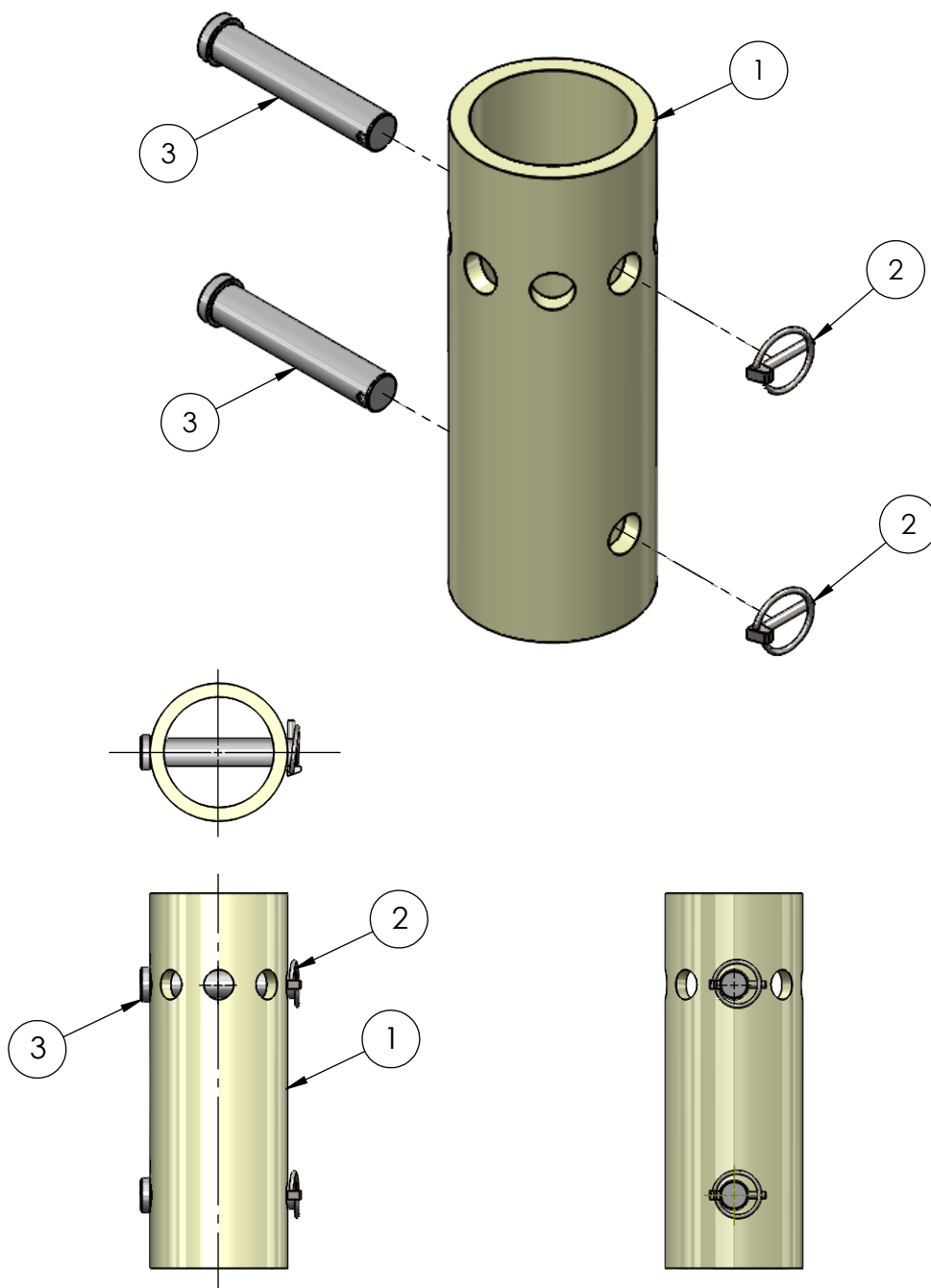
Assembly - Triple Cable Support Jib With Round Mount (NL-C1064325-R)

ITEM NO.	PART No.	DESCRIPTION	QTY.
1	NL-C1064326	ASSEMBLY - BOOM MOUNT, JIB TREE	1
2	NL-C1053423	CAP-UHMW, 2.51 ID x 3.00 OD	2
3	NL-C1053425	ROD-FBRGLS, 2.50 OD x 73.00	1
4	NL-C1053420	ASSEMBLY - WIRE SUPPORT CLAMP	2
5	90081A313	SCREW NAIL-ZN PLT, #14 x 3/4	2
6	NL-C1064361	ASSEMBLY - ROUND JIB BOOM MOUNT	1



Assembly - Round Jib Boom Round Mount (NL-C1064361)

ITEM NO.	PART No.	DESCRIPTION	QTY.
1	NL-C1064320	ROUND TUBE- JIB BOOM MOUNT	1
2	90170A113	LINCH PIN-Ø3/16 X 1-1/4, ZN PLT	2
3	98306A570	CLEVIS PIN - Ø.75 x 3.76 LG	2





Terms and Conditions of Sale

Sales of new **Custom Truck One Source** (“Seller”) manufactured stringing blocks and hot line tools or any of the parts or products described or referred to in Buyer’s order is expressly conditioned upon the terms and conditions set forth below. Any order for or any statement of intent to purchase any such parts or products or any direction to proceed with manufacture or shipment, shall constitute assent to said terms and conditions and a representation that the Buyer is solvent and has capacity to pay the quoted price. Any additional or different terms or conditions set forth in Buyer’s order or in any other communication from the Buyer are hereby objected to by the Seller and shall not be effective or binding unless assented to in writing by an authorized representative of the Seller.

Prices and Taxes

All prices are quoted in U.S. Dollars and exclude shipping charges and applicable taxes, which will be quoted separately.

Warranty

- A. We will repair or replace, at our option, any product we manufacture that has not been subject to misuse, abuse or improper application and which proves to be defective in materials or workmanship such that the value of the product to Buyer is materially impaired within one year from date of shipment. With respect to all products not manufactured by Seller or branded with the Seller’s trademark, i.e., “vendor” products, Seller gives no warranty and only the warranty, if any, given by the manufacturer shall apply.
- B. Buyer shall be responsible for packing, shipping and transportation costs for returning products to us. No products shall be returned to us without our prior written consent. The acceptance of any product returned to us shall not be deemed an admission that the products are defective or in breach of any warranty, and if we determine that the products are not defective, they may be returned to Buyer at Buyer’s expense.
- C. If a Product, part or accessory fails to meet the foregoing warranties, Seller shall correct the failure, at its option, (i) by repairing any defective or damaged part or parts of the Product, or accessory, or (ii) by making available at Seller’s factory, any necessary repaired or replacement parts, or replacement accessory, or (iii) after issuance of prior written approval by Seller, by having Buyer repair any defective or damaged part or parts of the Product, or accessory, in accordance with Seller’s product technical repair instructions and at Seller’s expense, which shall not exceed the prior written approved amounts and rates. If such failure or defect cannot be corrected by Seller’s reasonable efforts, the parties shall negotiate an equitable adjustment in the purchase price of the Product, part, or accessory. Any repaired or replacement part or Product or accessory furnished hereunder shall have no additional warranty period.

- D. Seller's obligations under Paragraph B shall not apply to any Product or part thereof, or to any part or accessory sold by Seller, which (i) has been modified or otherwise altered other than pursuant to Seller's written instructions or written approval, or (ii) is normally consumed in operation, or (iii) is not properly stored, installed, used, maintained or repaired, or (iv) has been subjected to any other kind of negligence, overloading, misuse or detrimental exposure or has been involved in an accident, or (v) has been disabled or adversely affected by any vendor product (other than a vendor product sold or supplied by Seller).
- E. Only an authorized Officer of Seller may modify, expand or extend this warranty, waive any of its limitations or exclusions, or make any different or additional warranties with respect to the products, and then only in a signed writing.
- F. On any resale of the products, buyer shall contractually limit its buyer's rights and remedies against both buyer and us to the same extent as buyer's rights and remedies are limited under this agreement.
- G. Products are sold with the express understanding that their life and fitness for purpose are indeterminate and largely depend on application and operating circumstances and continuing maintenance.
- H. The preceding paragraphs set forth the exclusive remedies for claims (except as to title) based upon defects in or nonconformity of the Product, or of parts and accessories sold by Seller, whether the claim is in contract, warranty, tort (including negligence), strict liability, equity, quasi-contract, or otherwise. Upon the expiration of the warranty period, all such liability shall terminate. The foregoing warranties are in lieu of all other warranties whether oral, written, expressed, implied or statutory. NO IMPLIED OR STATUTORY WARRANTIES OF MERCHANTABILITY OR FITNESS FOR A PARTICULAR PURPOSE SHALL APPLY. IN NO EVENT SHALL SELLER BE LIABLE FOR ANY INCIDENTAL, CONSEQUENTIAL, SPECIAL, INDIRECT OR EXEMPLARY DAMAGES, OR FOR ANY LOST PROFITS OR REVENUES OR OTHER INDIRECT ECONOMIC PREJUDICE, OR FOR ANY EQUITABLE REIMBURSEMENT OR RECOVERY, ALL OF WHICH ARE HEREBY WAIVED IN FULL BY BUYER.

Limitations

THE TOTAL LIABILITY OF SELLER, INCLUDING ITS SUBCONTRACTORS AND SUPPLIERS, ON ANY AND ALL CLAIMS OF ANY KIND, WHETHER IN CONTRACT, WARRANTY, TORT (INCLUDING NEGLIGENCE OR PATENT INFRINGEMENT), STRICT LIABILITY, EQUITY, QUASI-CONTRACT OR OTHERWISE, ARISING OUT OF, CONNECTED WITH, OR RESULTING FROM THE PERFORMANCE OR NON-PERFORMANCE OF ANY AGREEMENT RESULTING HEREFROM OR FROM THE MANUFACTURE, SALE, DELIVERY, RESALE, REPAIR, REPLACEMENT OR USE OF ANY PART OR PRODUCT OR THE FURNISHING OF ANY SERVICE, SHALL NOT EXCEED THE PRICE ALLOCABLE TO THE PART OR PRODUCT OR SERVICE WHICH GIVES RISE TO THE CLAIM. EXCEPT AS TO TITLE, ANY SUCH LIABILITY SHALL TERMINATE UPON THE EXPIRATION OF THE WARRANTY PERIOD SPECIFIED IN THE SECTION ENTITLED "WARRANTIES." FURTHERMORE, SELLER SHALL NOT BE LIABLE FOR DELAYS IN DELIVERY OR FAILURE TO PERFORM. BUYER MUST BRING ANY CLAIM, SUIT OR OTHER PROCEEDING ARISING OUT OF THIS AGREEMENT OR RELATING TO THE PRODUCTS WITHIN ONE YEAR FROM THE DATE OF THE BREACH.

Design Changes

We reserve the right to incorporate new design or improvements on the products or their component parts without obligation in regard to the Buyer's existing stock.

Buyer Obligations: Buyer shall indemnify us and hold us harmless, and if we so request defend us, with respect to all costs, damages, losses, claims, judgments, and expenses, including attorney fees, that we incurs as a result of or in connection with (a) any act, omission or use of the products by Buyer, its employees, or its customers; (b) any breach by Buyer of any of its obligations under this agreement; (c) any claimed unfair competition , or any claimed patent, trademark, or copyright infringement, or any claimed infringement of any proprietary right; or (d) any other claim resulting from our manufacture of the products to Buyer's specifications.

Buyer Obligations

Any sale of products to buyer shall be considered to have been made in, and shall be governed by and interpreted according to the laws of, the state of Missouri, any action relating to the same may be brought in any federal or state court located in Jackson county, Missouri. Any agreement to purchase goods shall be binding upon us and upon buyer, and upon our respective legal representatives, successors and assigns.

Miscellaneous

Any sale of products to buyer shall be considered to have been made in, and shall be governed by and interpreted according to the laws of, the state of Missouri, any action relating to the same may be brought in any federal or state court located in Jackson county, Missouri. Any agreement to purchase goods shall be binding upon us and upon buyer, and upon our respective legal representatives, successors and assigns.



CAUTION: The products we supply are intended to be used and serviced only by professional personnel who have been trained in proper work and safety practices relating to the use of this type of product. The information provided on the products does not cover every possible contingency to be encountered and is not intended to be used as a substitute for adequate training and experience. If specific situations or questions arise regarding the use of the products or, if additional information is required, contact Custom Truck One Source before proceeding.

WARRANTY DATA RECORD

Record this information at the time that warranty registration form is completed and returned.

Form Submission		Date	
Date of Delivery			
Model Number			
S/N			
Dealer			
Address			
Customer			
Address			

Record this information at the time that warranty registration form is completed and returned to **Custom Truck**.



Custom Truck One Source
7701 Independence Avenue
Kansas City, MO 64125
Toll Free: (833) 281-7911